



US00D428619S

United States Patent [19]

Saeki et al.

[11] Patent Number: **Des. 428,619**

[45] Date of Patent: **** Jul. 25, 2000**

[54] VIDEO PROJECTOR

[75] Inventors: **Taisuke Saeki; Harumi Sakamoto; Hiroyuki Mitsui**, all of Tochigi-ken, Japan

[73] Assignee: **Sharp Kabushiki Kaisha**, Osaka, Japan

[**] Term: **14 Years**

[21] Appl. No.: **29/114,750**

[22] Filed: **Dec. 1, 1999**

[30] Foreign Application Priority Data

Jun. 3, 1999 [JP] Japan 11-14637

[51] LOC (7) Cl. **16-02**

[52] U.S. Cl. **D16/230; D16/225**

[58] Field of Search D16/200-205, D16/208, 213, 221, 225, 230, 231, 234; D21/514; 352/34, 242; 353/115, 119, 122

[56] References Cited

U.S. PATENT DOCUMENTS

D. 356,103 3/1995 Saeki et al. D16/221

D. 374,024 9/1996 Onoda D16/221
D. 387,795 12/1997 Sakamoto D16/231
D. 400,903 11/1998 Miyagawa et al. D16/225
D. 420,033 2/2000 Takano et al. D16/231
5,868,485 2/1999 Fujimori et al. 353/119

OTHER PUBLICATIONS

Elmo Catalog, Jun. 1999 (model No. EDP-5700).

Primary Examiner—Adir Aronovich
Attorney, Agent, or Firm—Nixon & Vanderhye

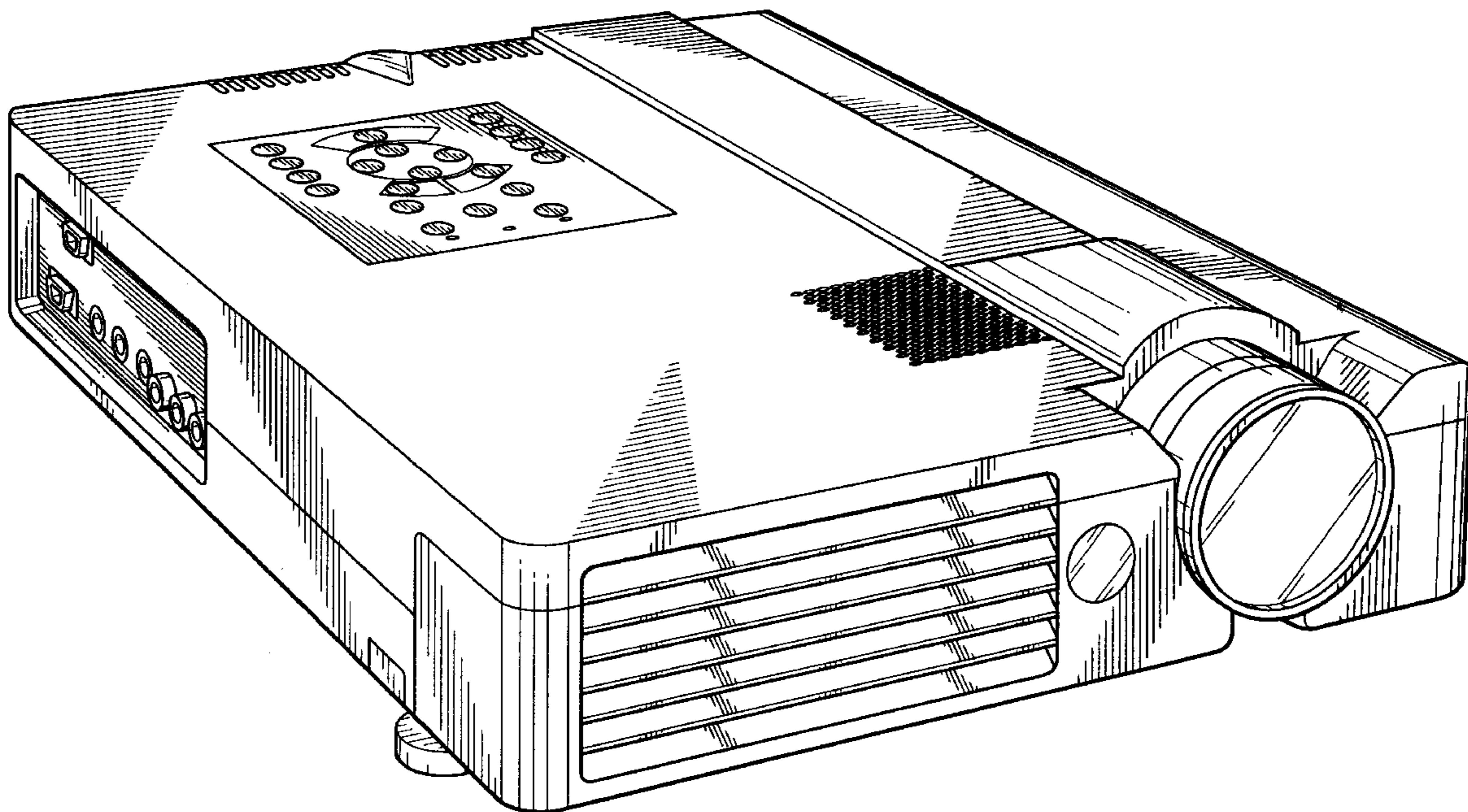
[57] CLAIM

The ornamental design for a video projector, as shown and described.

DESCRIPTION

FIG. 1 is a top, left side and front perspective view of a video projector according to our design; FIG. 2 is a top plan view thereof; FIG. 3 is a front elevational view thereof; FIG. 4 is a rear elevational view thereof; FIG. 5 is a left side elevational view thereof; FIG. 6 is a right side elevational view thereof; and, FIG. 7 is a bottom plan view.

1 Claim, 5 Drawing Sheets



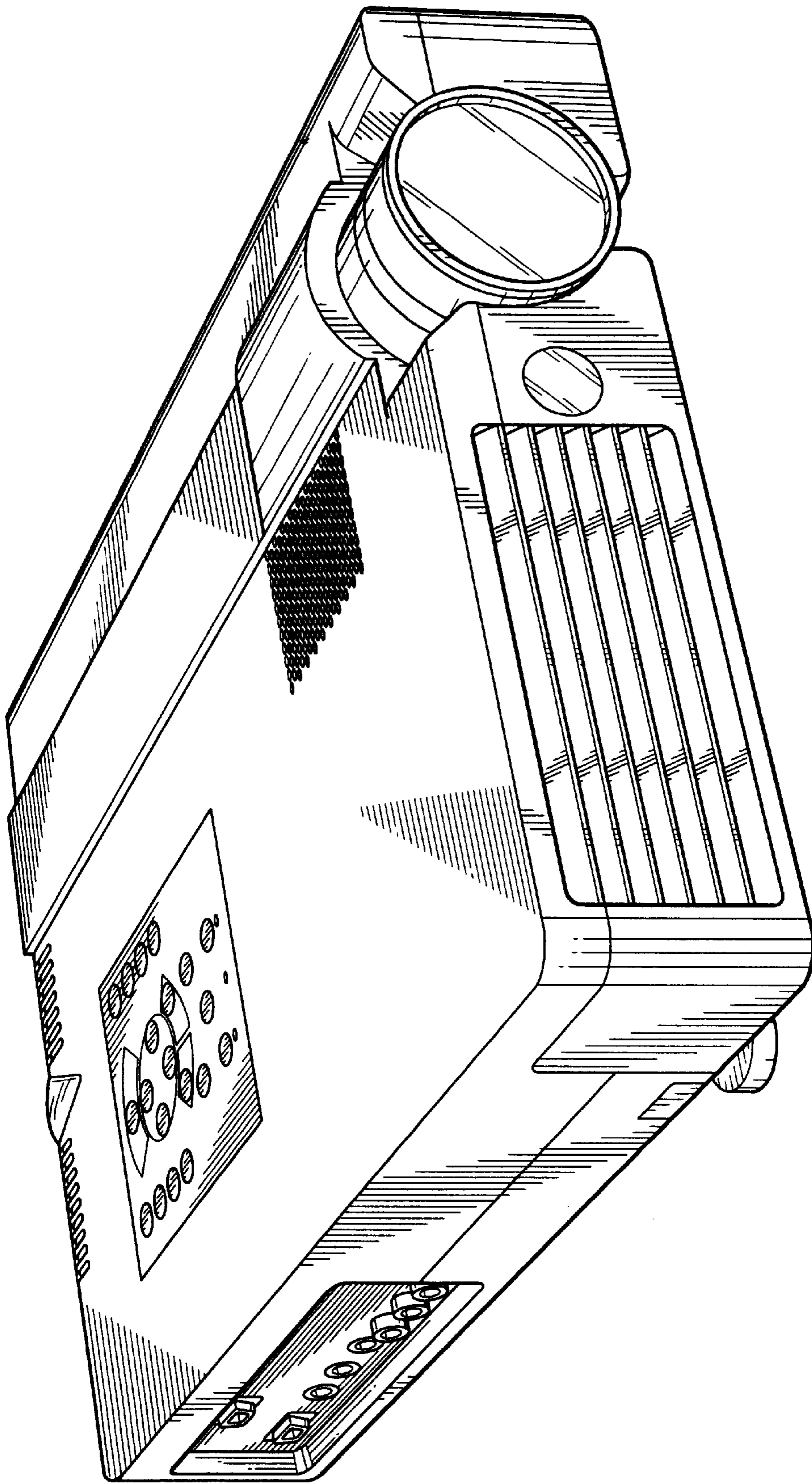


FIG. 1

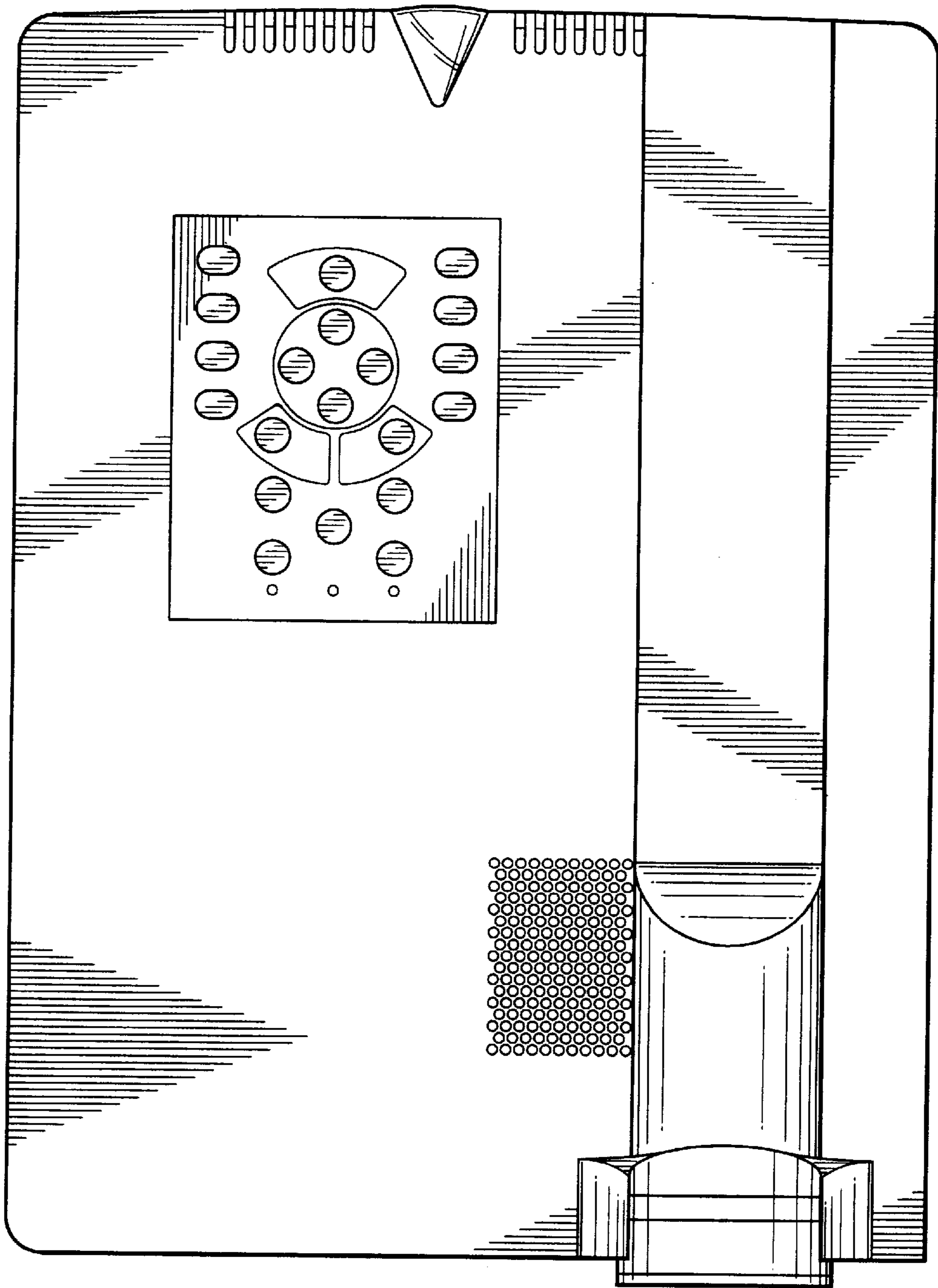


FIG. 2

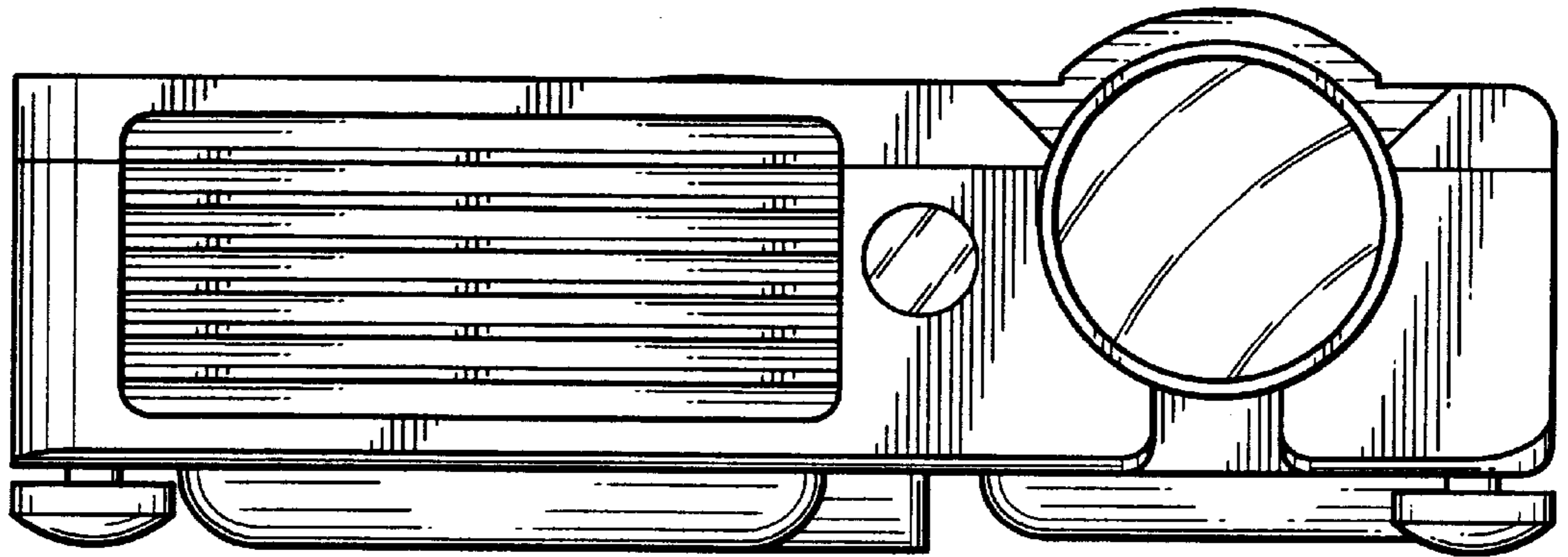


FIG. 3

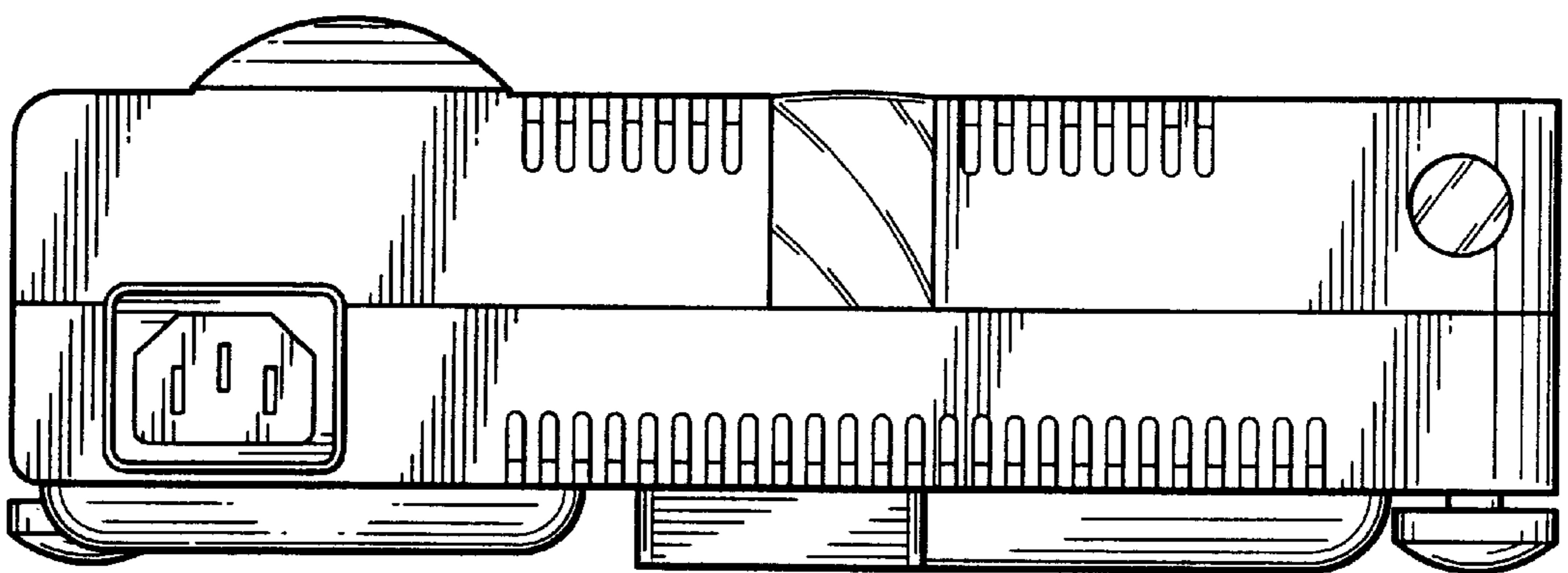


FIG. 4

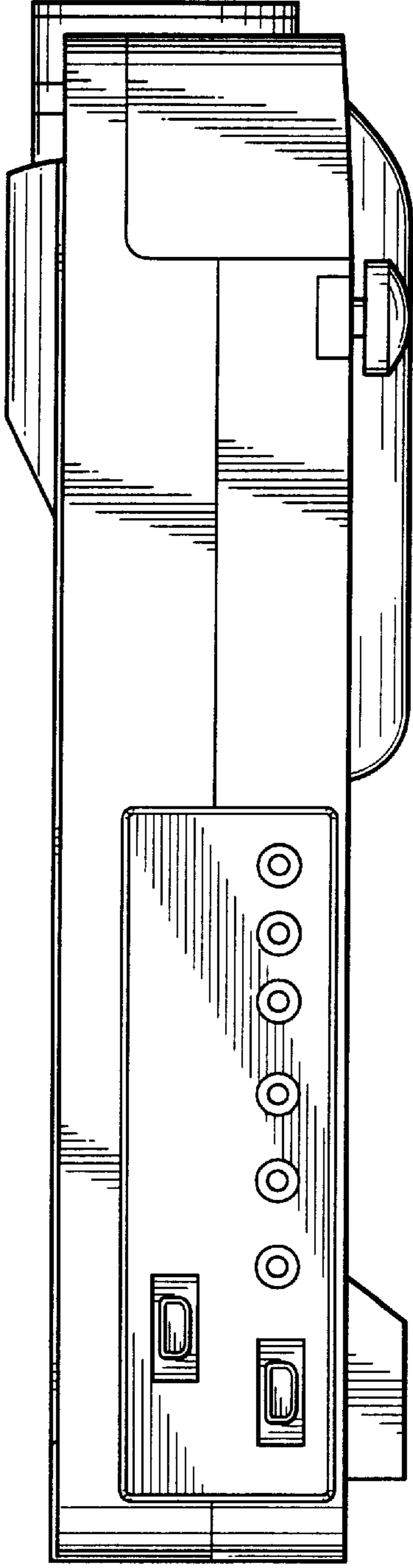


FIG. 5

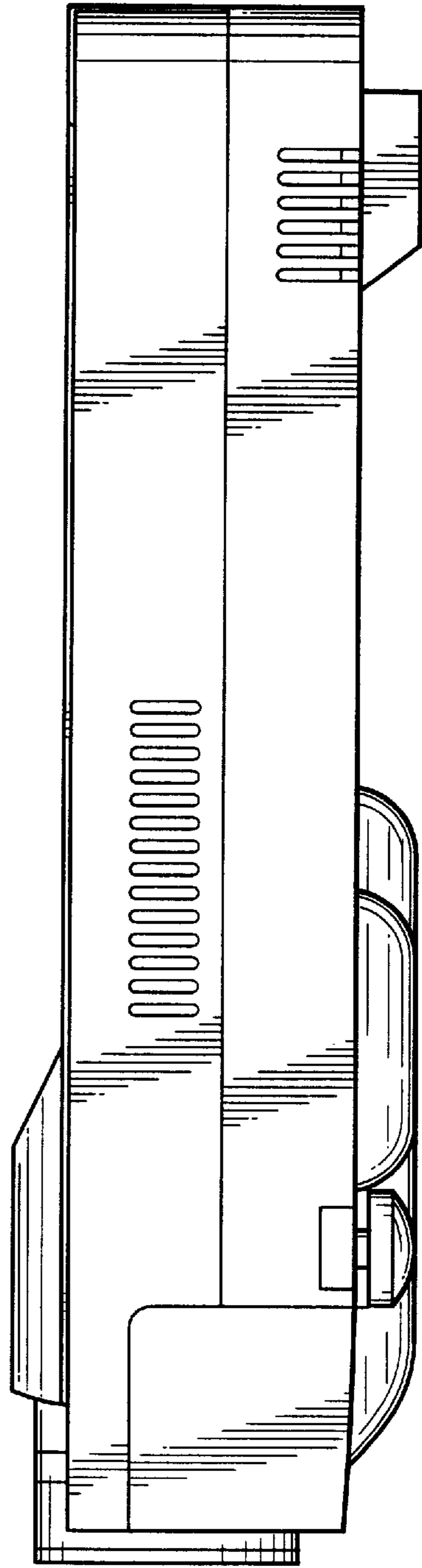


FIG. 6

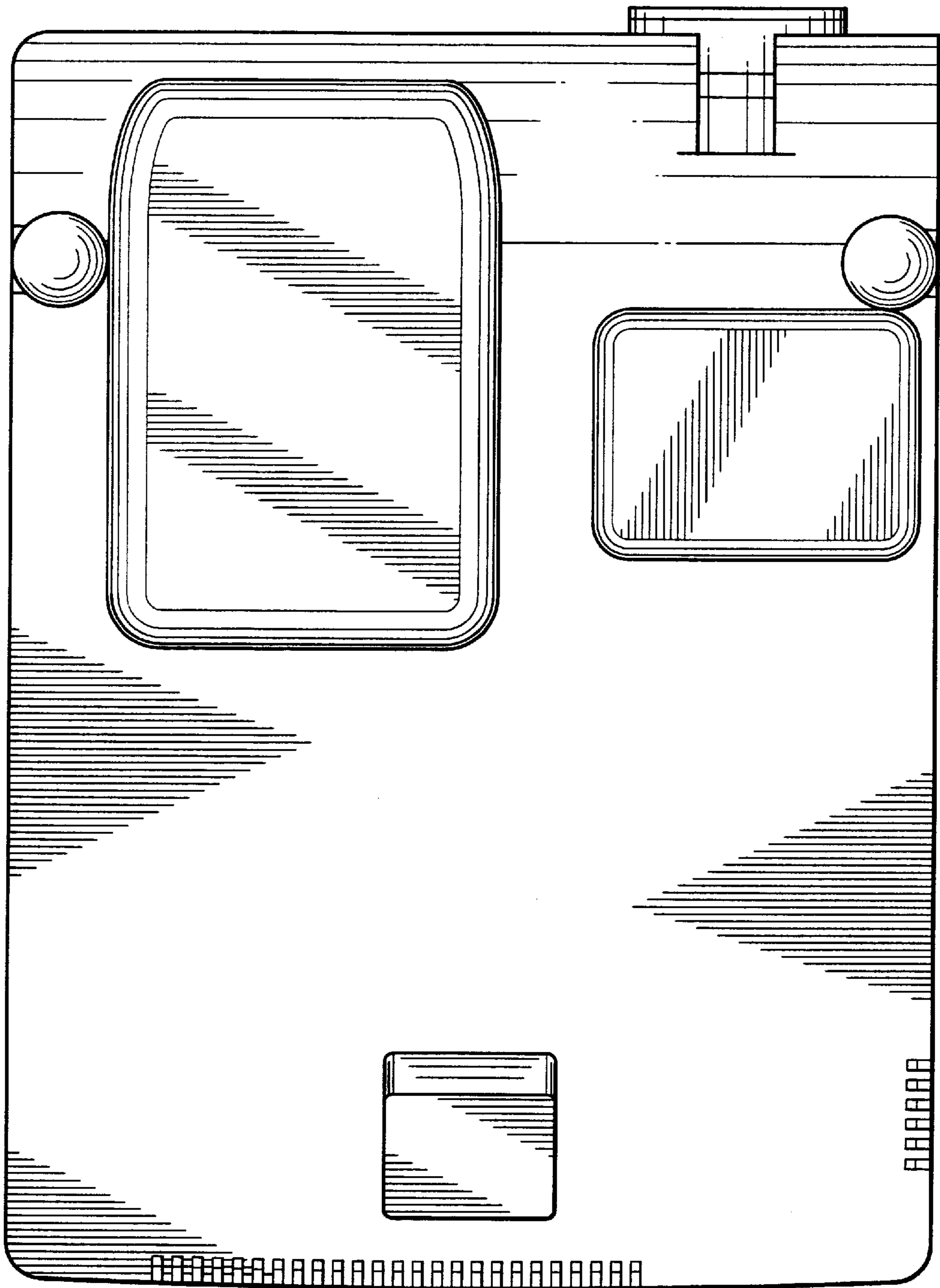


FIG. 7