



US00D428618S

United States Patent [19]
McBride

[11] **Patent Number: Des. 428,618**

[45] **Date of Patent: ** Jul. 25, 2000**

[54] **CAMERA HOUSING**

5,287,133 2/1994 Bohley 396/19

[76] Inventor: **Richard L. McBride**, 200 Madonna Blvd., Tierra Verde, Fla. 33715

Primary Examiner—Adir Aronovich
Attorney, Agent, or Firm—Larson & Larson, P.A.; James E. Larson

[**] Term: **14 Years**

[21] Appl. No.: **29/117,691**

[22] Filed: **Jan. 27, 2000**

[57] **CLAIM**

The ornamental design for a camera housing, as shown and described.

[51] **LOC (7) Cl.** **16-01**

[52] **U.S. Cl.** **D16/203**

[58] **Field of Search** D16/200–204;
348/143, 376; 358/906; 396/427, 433, 25–29

DESCRIPTION

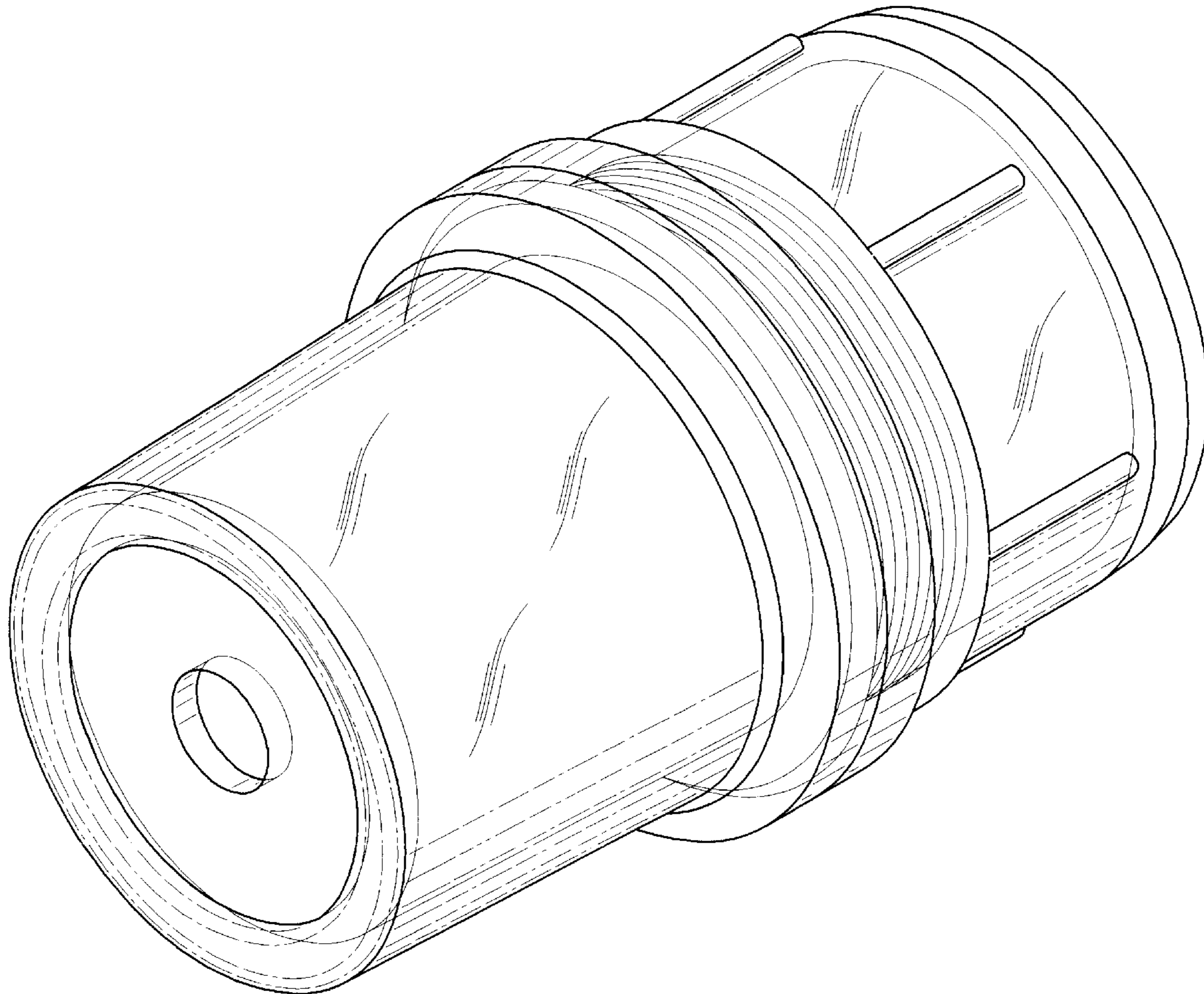
FIG. 1 is a left side view of a camera housing, showing my novel design;
FIG. 2 is a front side view thereof;
FIG. 3 is a right side view thereof;
FIG. 4 is back side view thereof;
FIG. 5 is a top plan view thereof;
FIG. 6 is a bottom plan view thereof; and,
FIG. 7 is a perspective view of a camera housing, showing my novel design.

[56] **References Cited**

U.S. PATENT DOCUMENTS

D. 378,095	2/1997	Hasegawa	D16/203
D. 388,804	1/1998	Swayze et al.	D16/202
D. 392,300	3/1998	Chow et al.	D16/203
D. 418,853	1/2000	Kubota	D16/203
4,028,730	6/1977	Miller	348/373

1 Claim, 6 Drawing Sheets



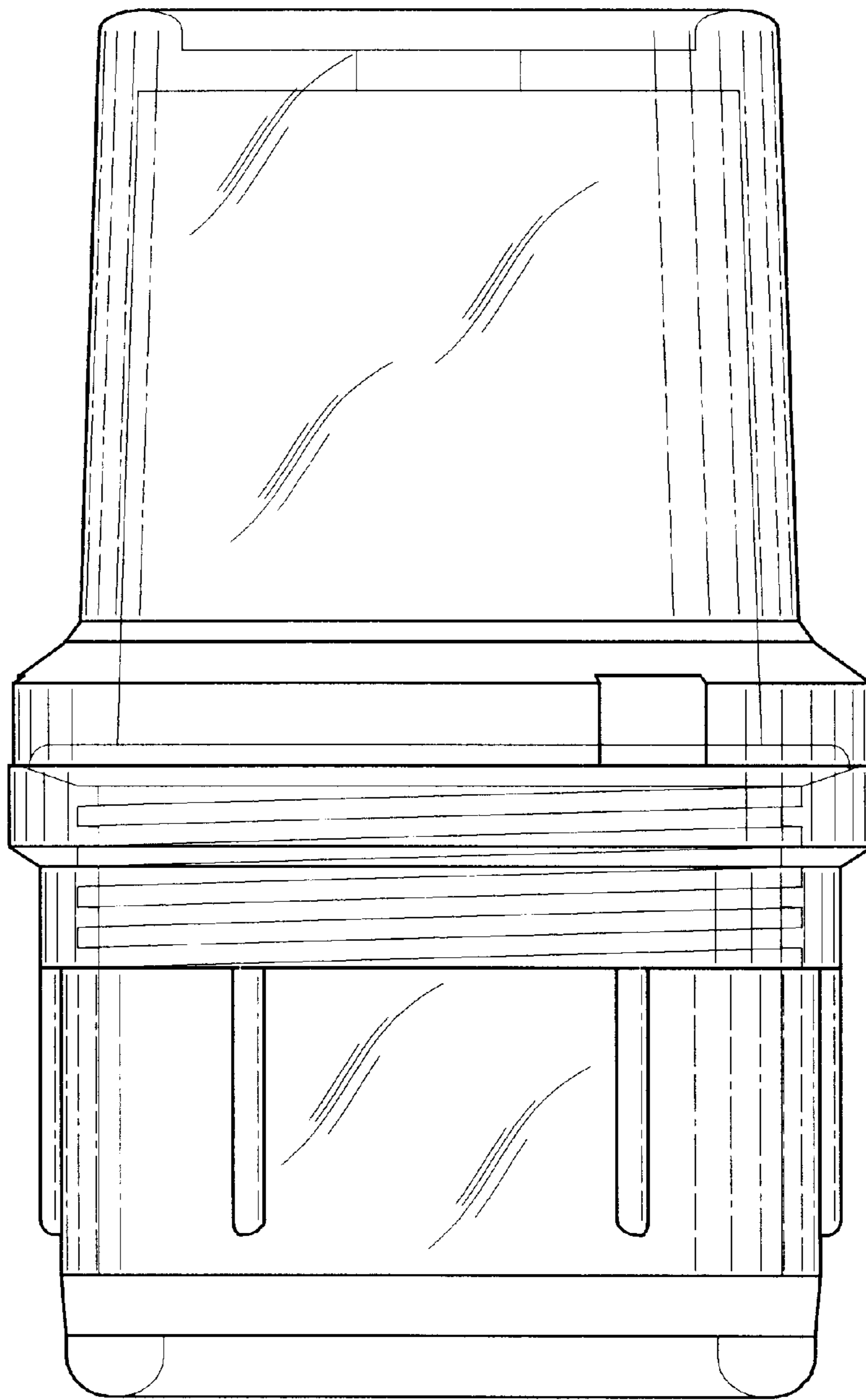


Fig. 1

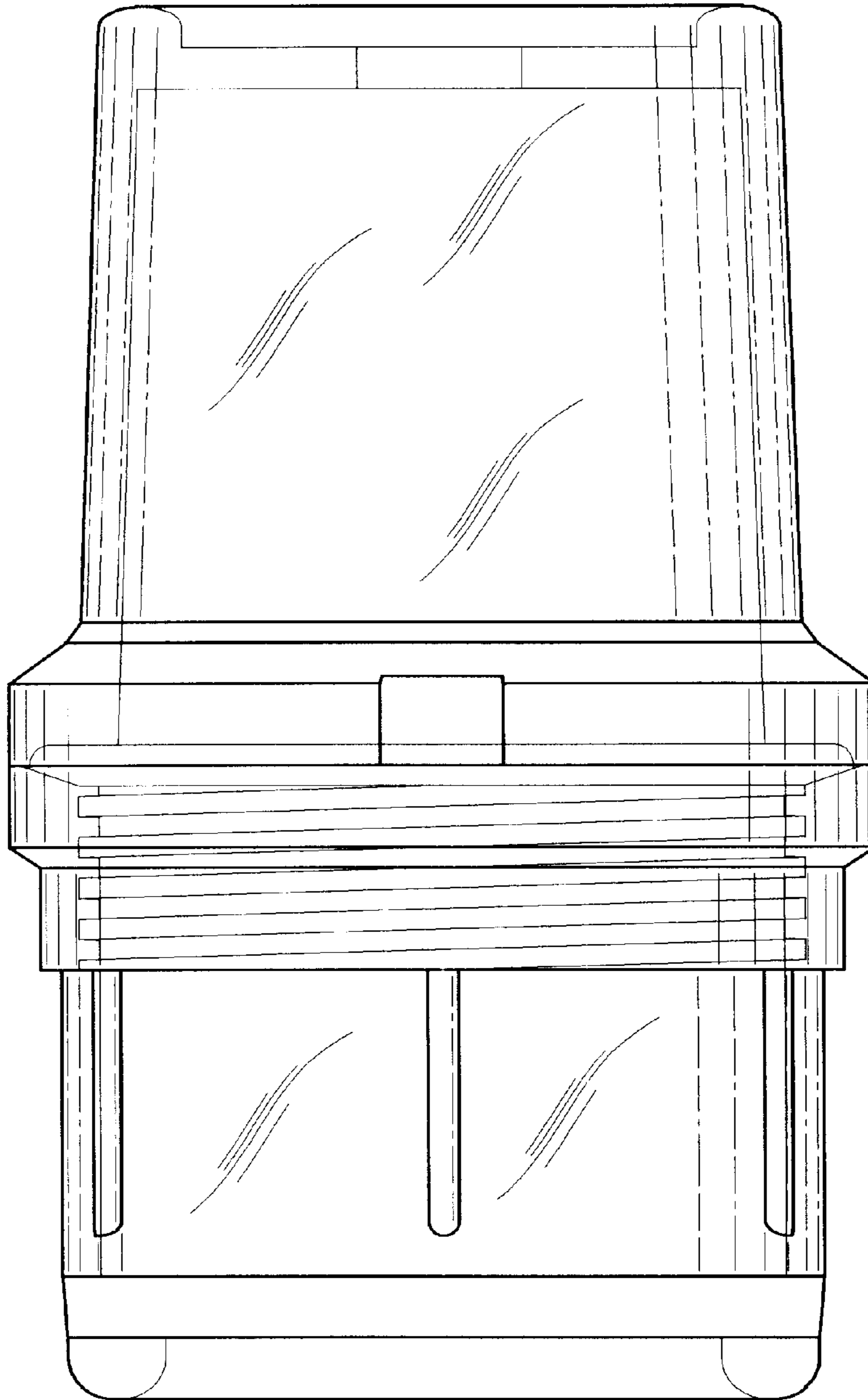


Fig. 2

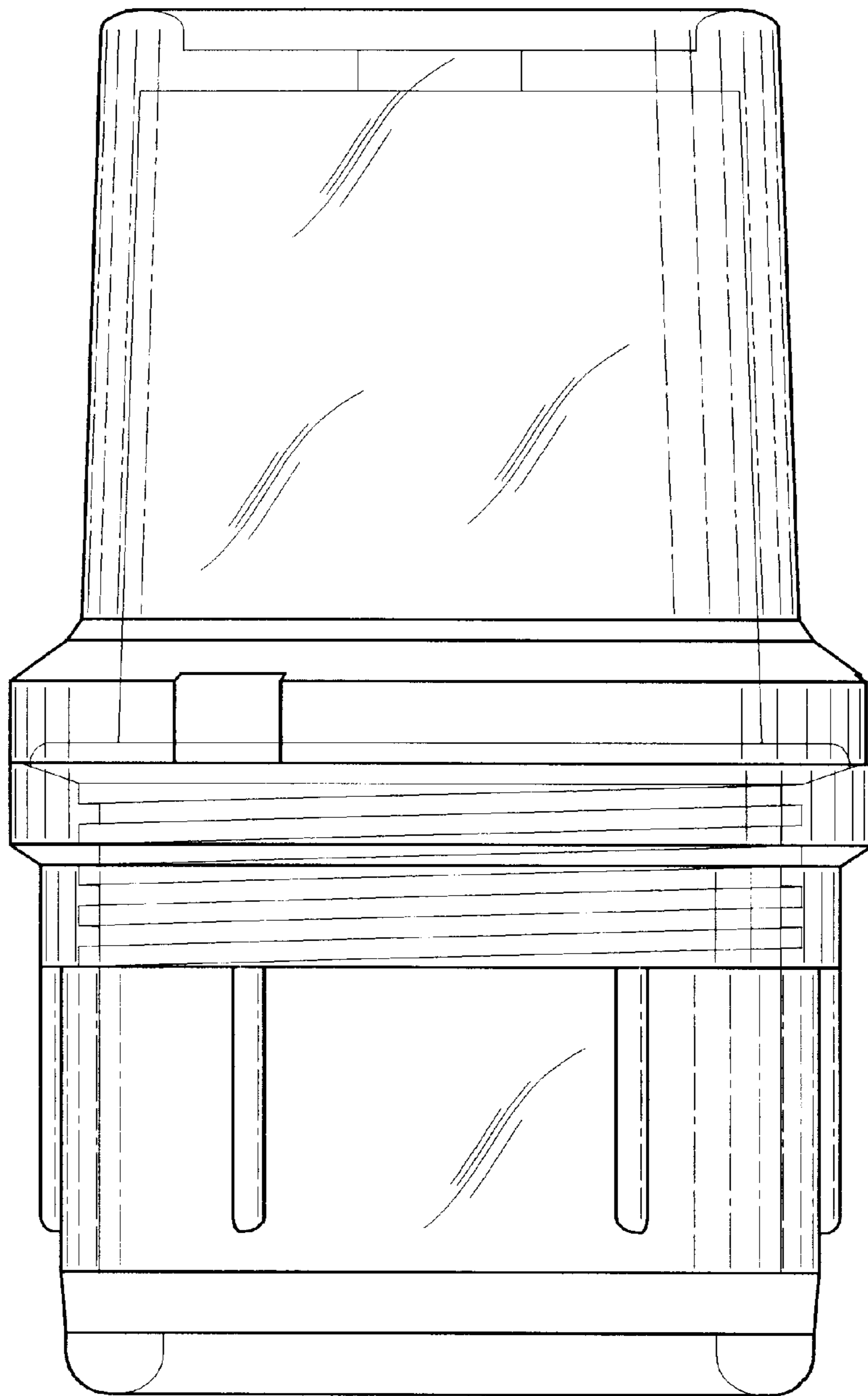


Fig. 3

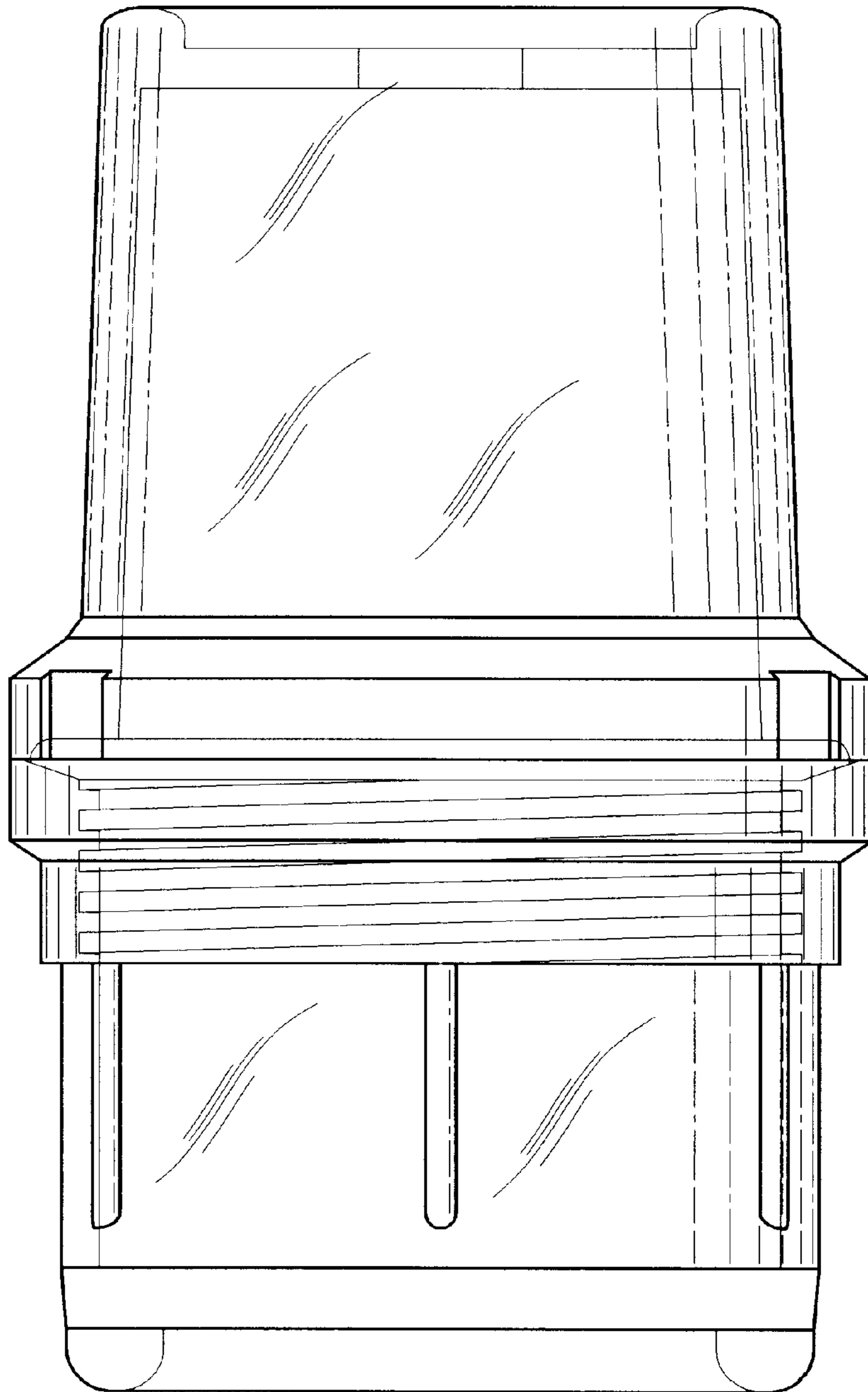


Fig. 4

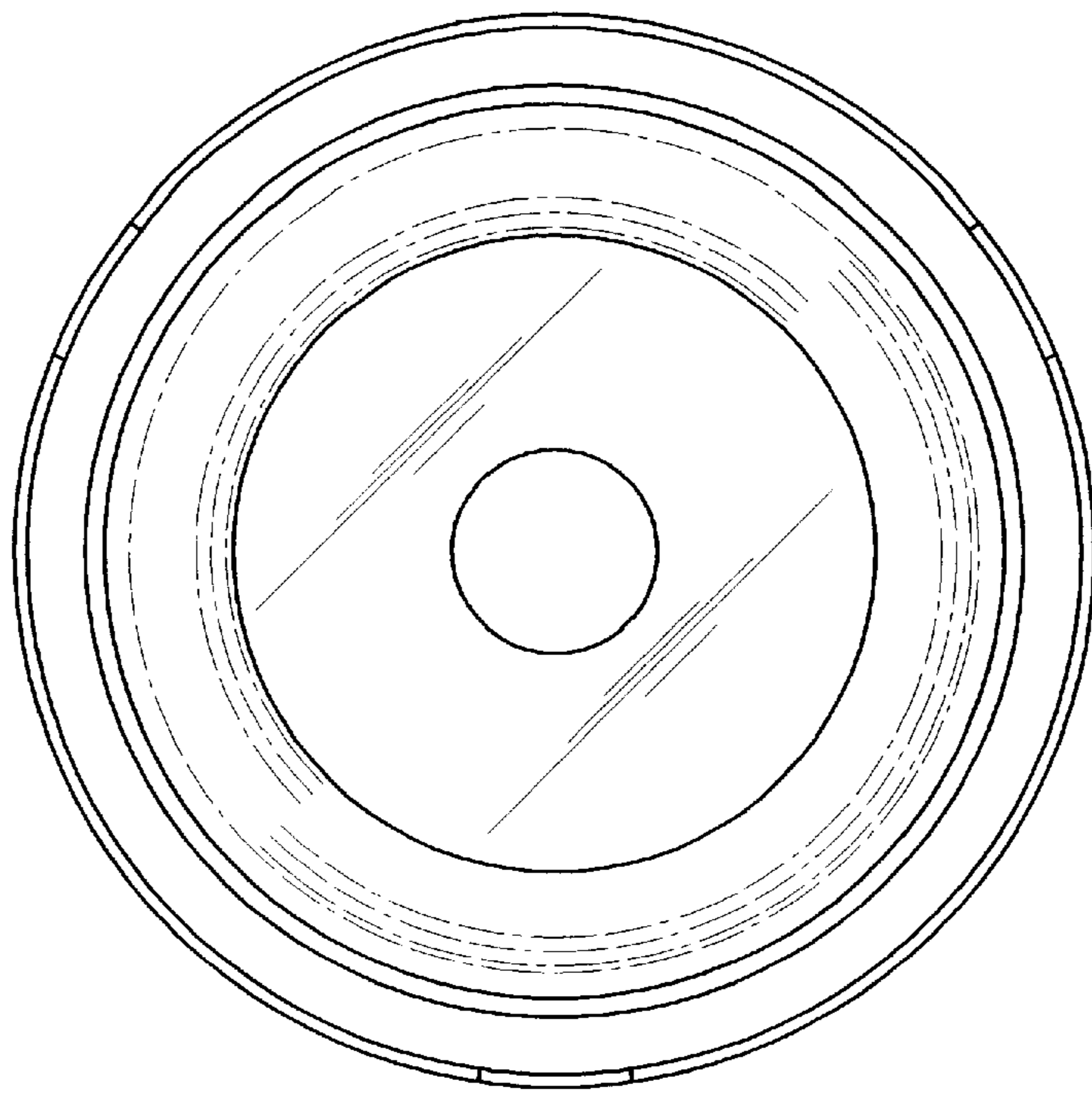


Fig. 5

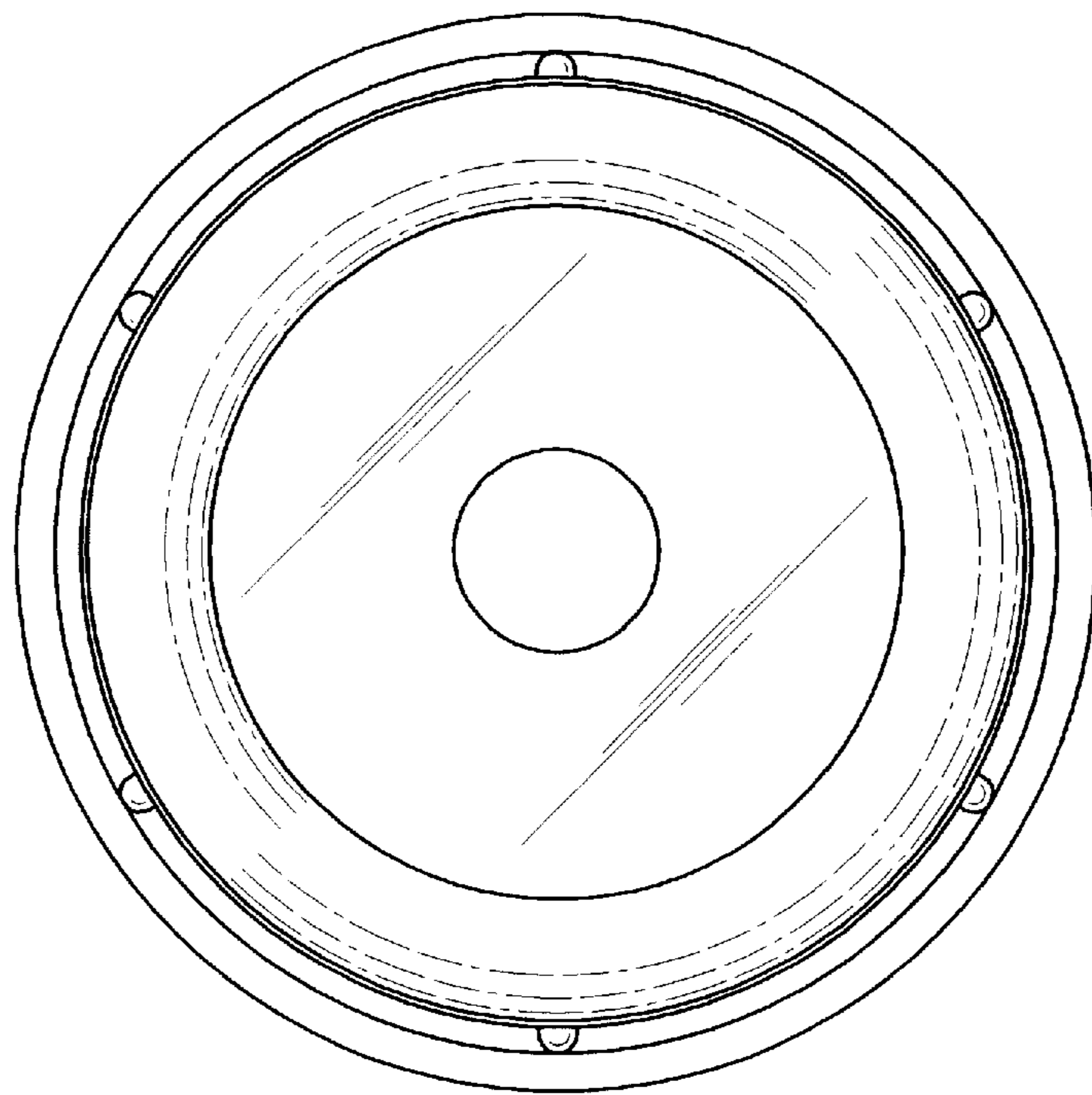


Fig. 6

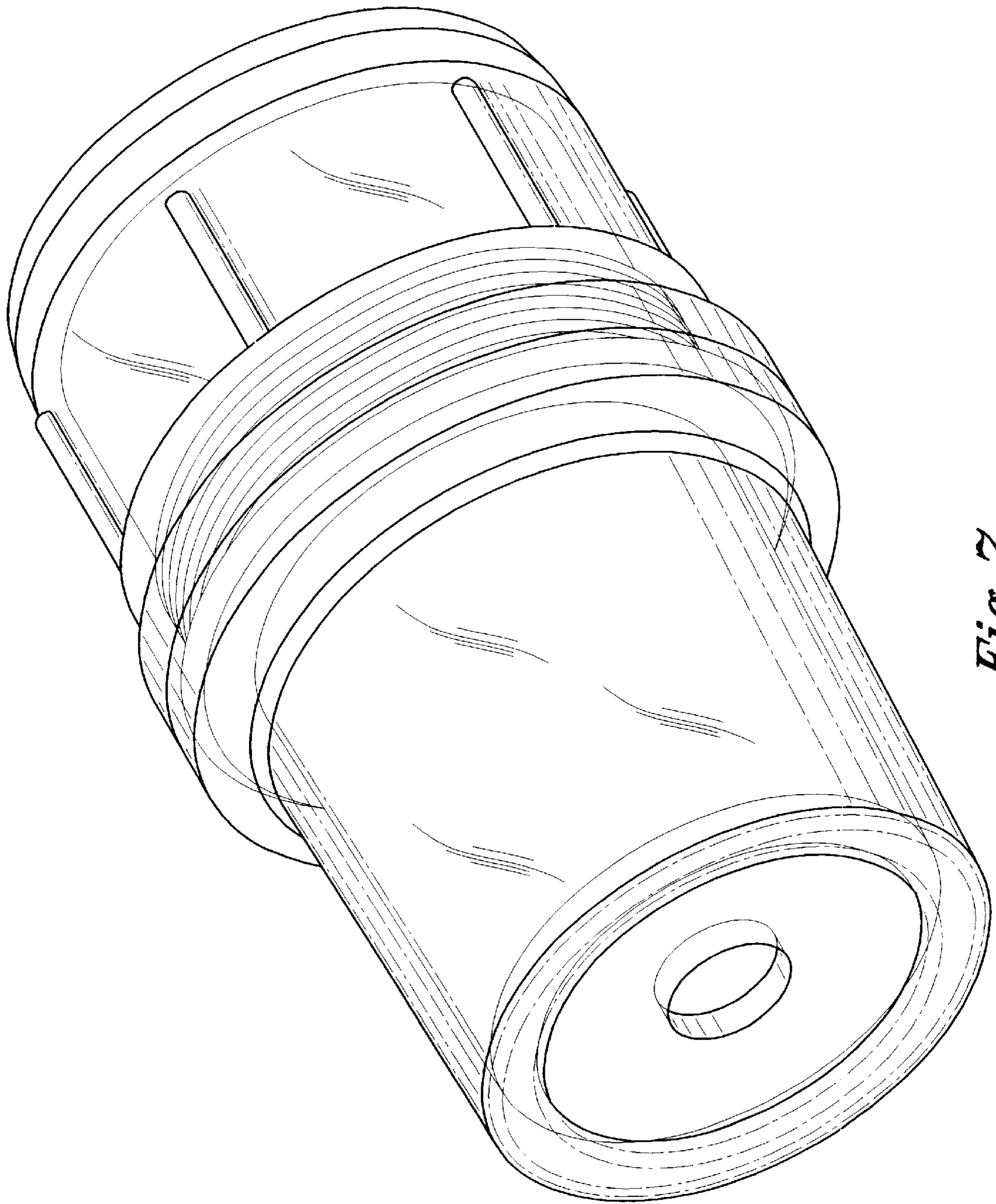


Fig. 7