



US00D428617S

# United States Patent [19] Hariwara

[11] Patent Number: **Des. 428,617**

[45] Date of Patent: **\*\* Jul. 25, 2000**

[54] **AIR CYLINDER**

[75] Inventor: **Nobuo Hariwara**, Ibaraki, Japan

[73] Assignee: **SMC Corporation**, Tokyo, Japan

[\*\*] Term: **14 Years**

[21] Appl. No.: **29/106,454**

[22] Filed: **Jun. 17, 1999**

### [30] Foreign Application Priority Data

Dec. 17, 1998 [JP] Japan ..... 10-036440

[51] **LOC (7) Cl.** ..... **15-02**

[52] **U.S. Cl.** ..... **D15/7**

[58] **Field of Search** ..... D15/7-9, 1, 2,  
D15/4, 5; 91/275, 277, 399; 92/88, 13,  
5; 417/397, 403, 404

### [56] References Cited

#### U.S. PATENT DOCUMENTS

D. 295,753 5/1988 La Bair ..... D15/7  
D. 303,393 9/1989 Stoll ..... D15/7  
D. 317,922 7/1991 Toyoda et al. .... D15/5

D. 370,683 6/1996 Stahlman et al. .... D15/7  
D. 417,457 12/1999 Asahara ..... D15/7  
4,856,415 8/1989 Noda ..... 92/83

*Primary Examiner*—Ralf Seifert  
*Attorney, Agent, or Firm*—Oblon, Spivak, McClelland,  
Maier & Neustadt, P.C.

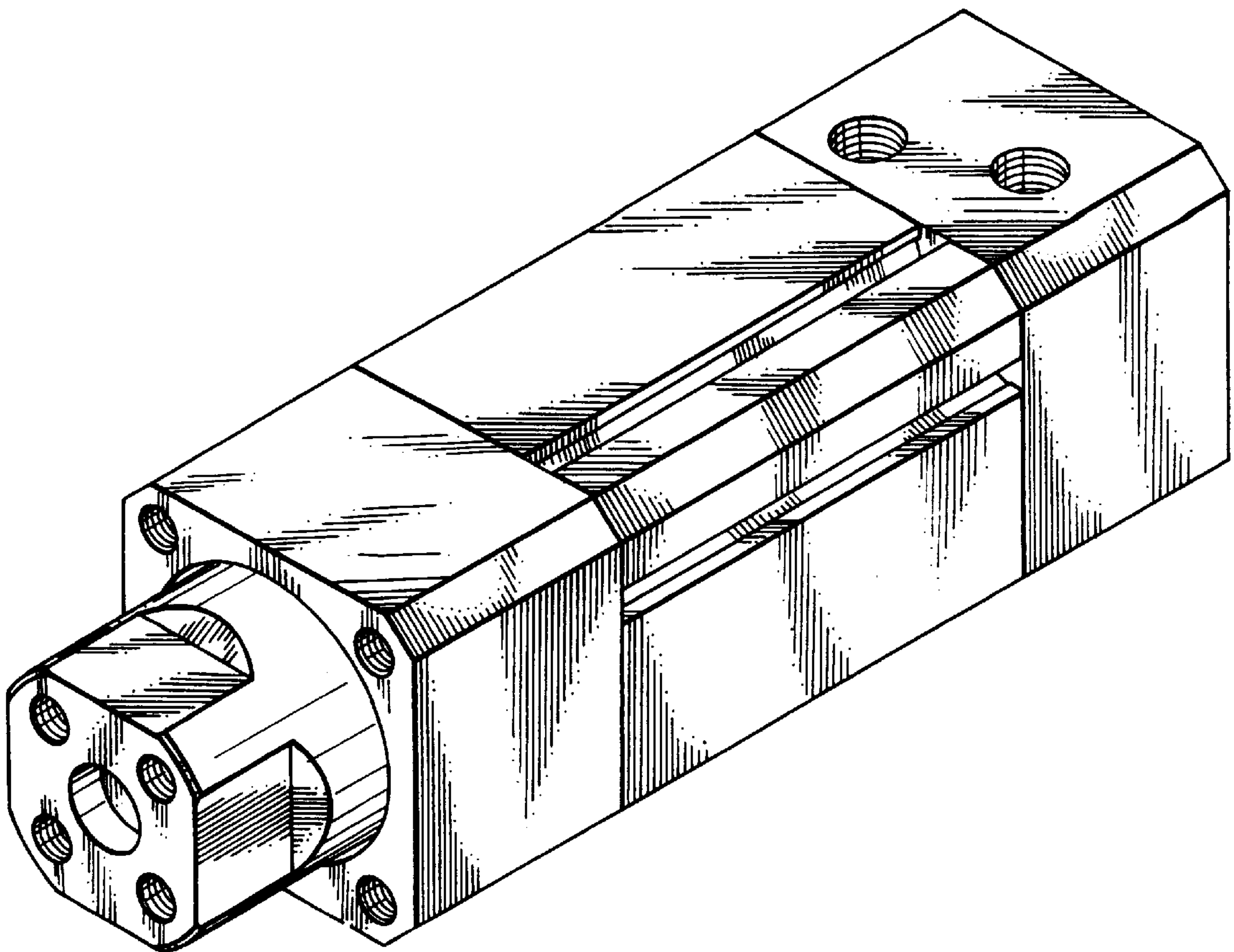
### [57] CLAIM

The ornamental design for air cylinder, as shown and described.

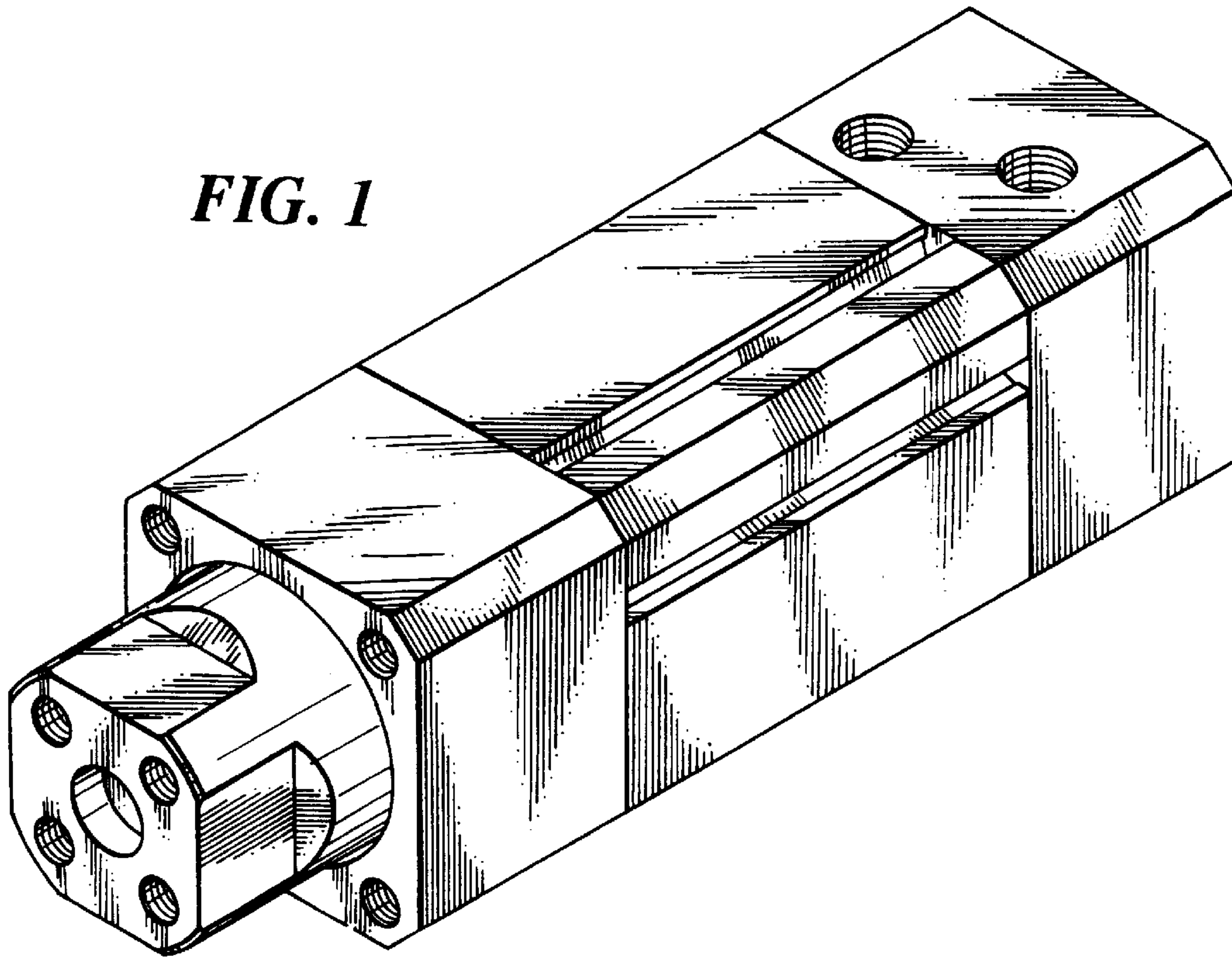
### DESCRIPTION

FIG. 1 is a top, front and left side perspective view of air cylinder embodying my new design;  
FIG. 2 is a bottom, rear and right side perspective view thereof;  
FIG. 3 is a front elevational view thereof;  
FIG. 4 is a bottom plan view thereof;  
FIG. 5 is a top plan view thereof;  
FIG. 6 is a left side elevational view thereof;  
FIG. 7 is a right side elevational view thereof; and,  
FIG. 8 is a cross-sectional view thereof taken along line 8—8.

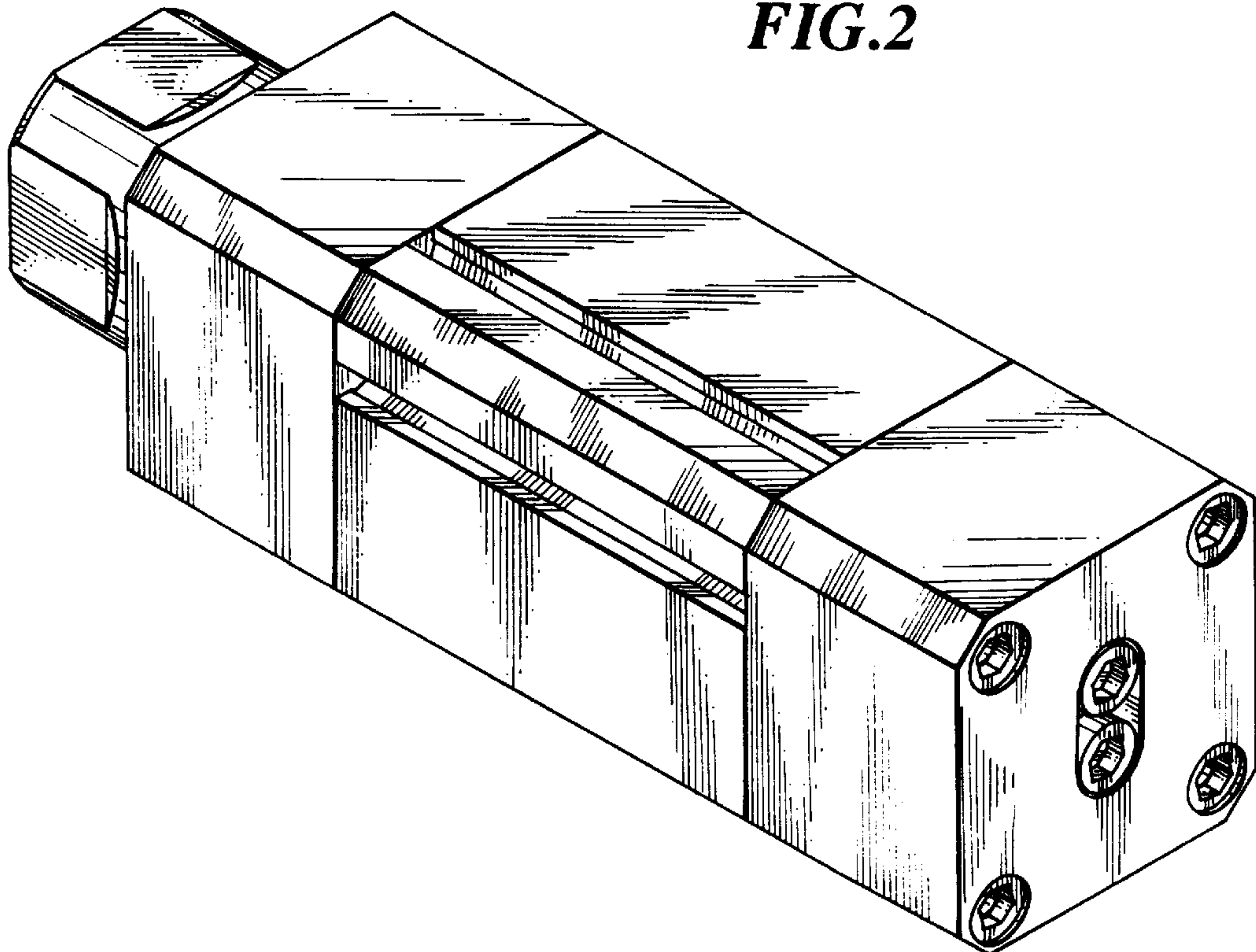
**1 Claim, 2 Drawing Sheets**

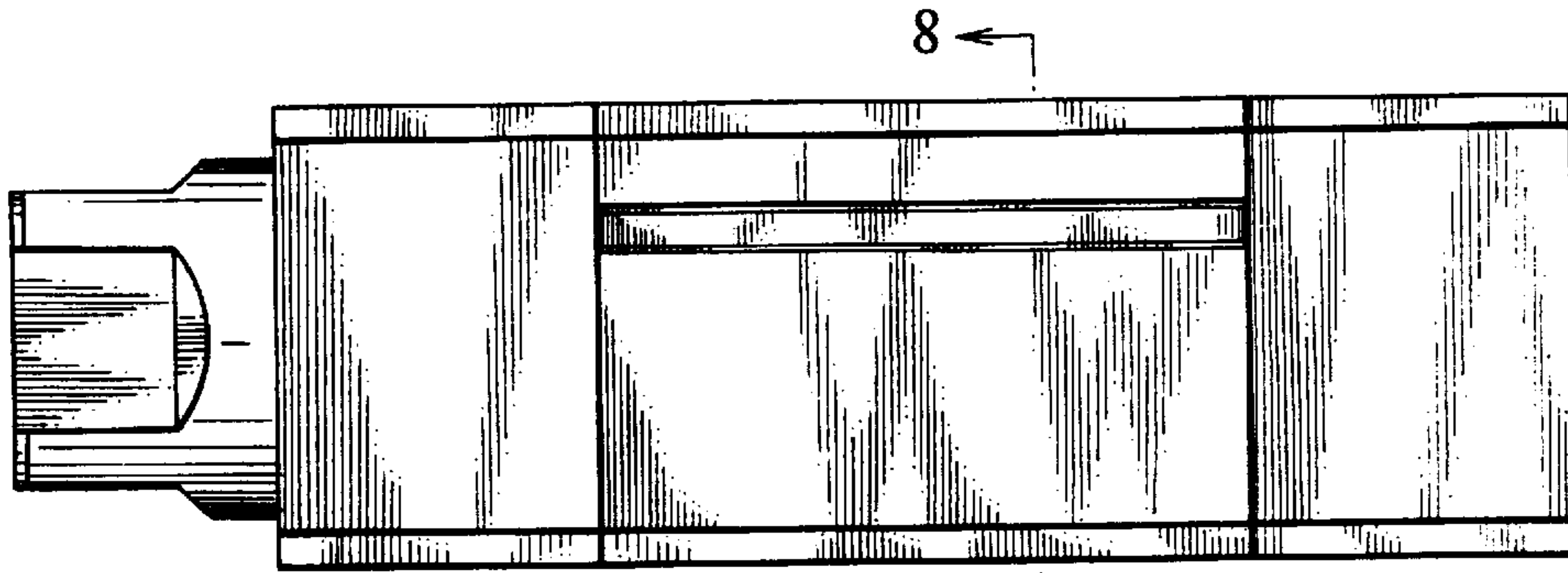


**FIG. 1**

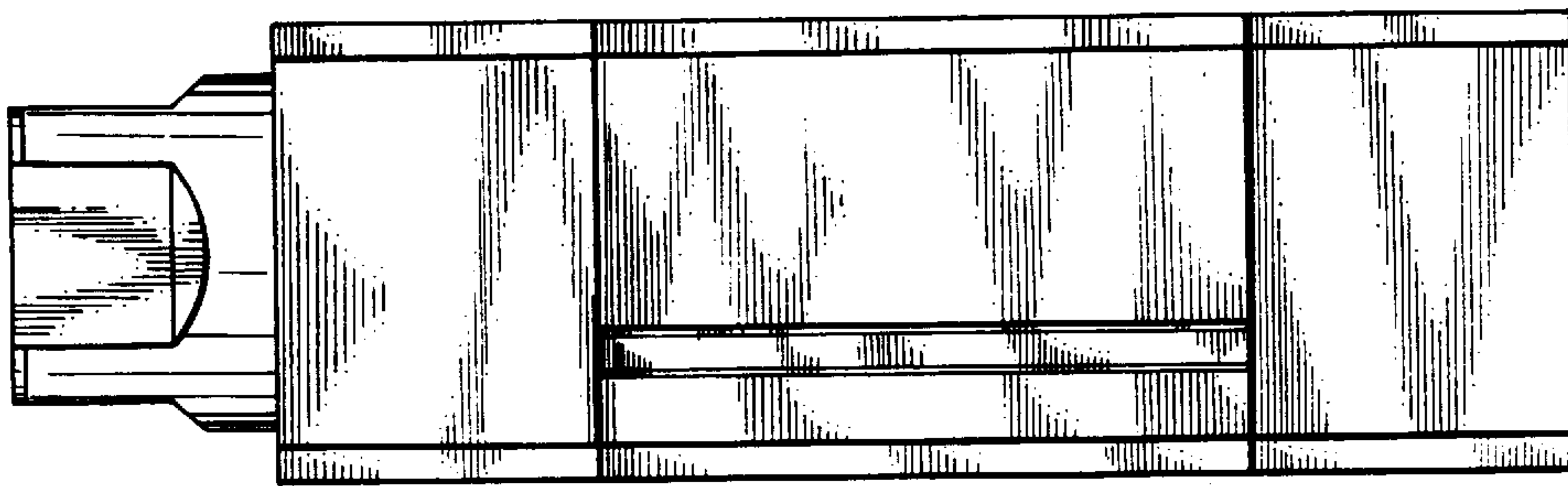


**FIG. 2**

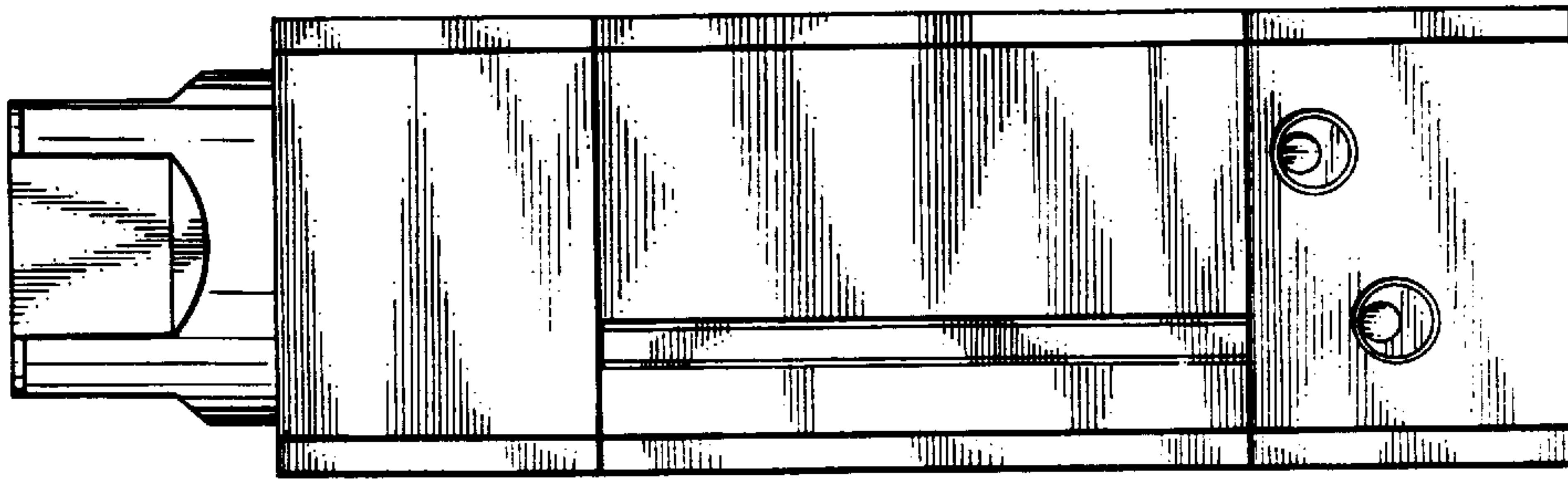




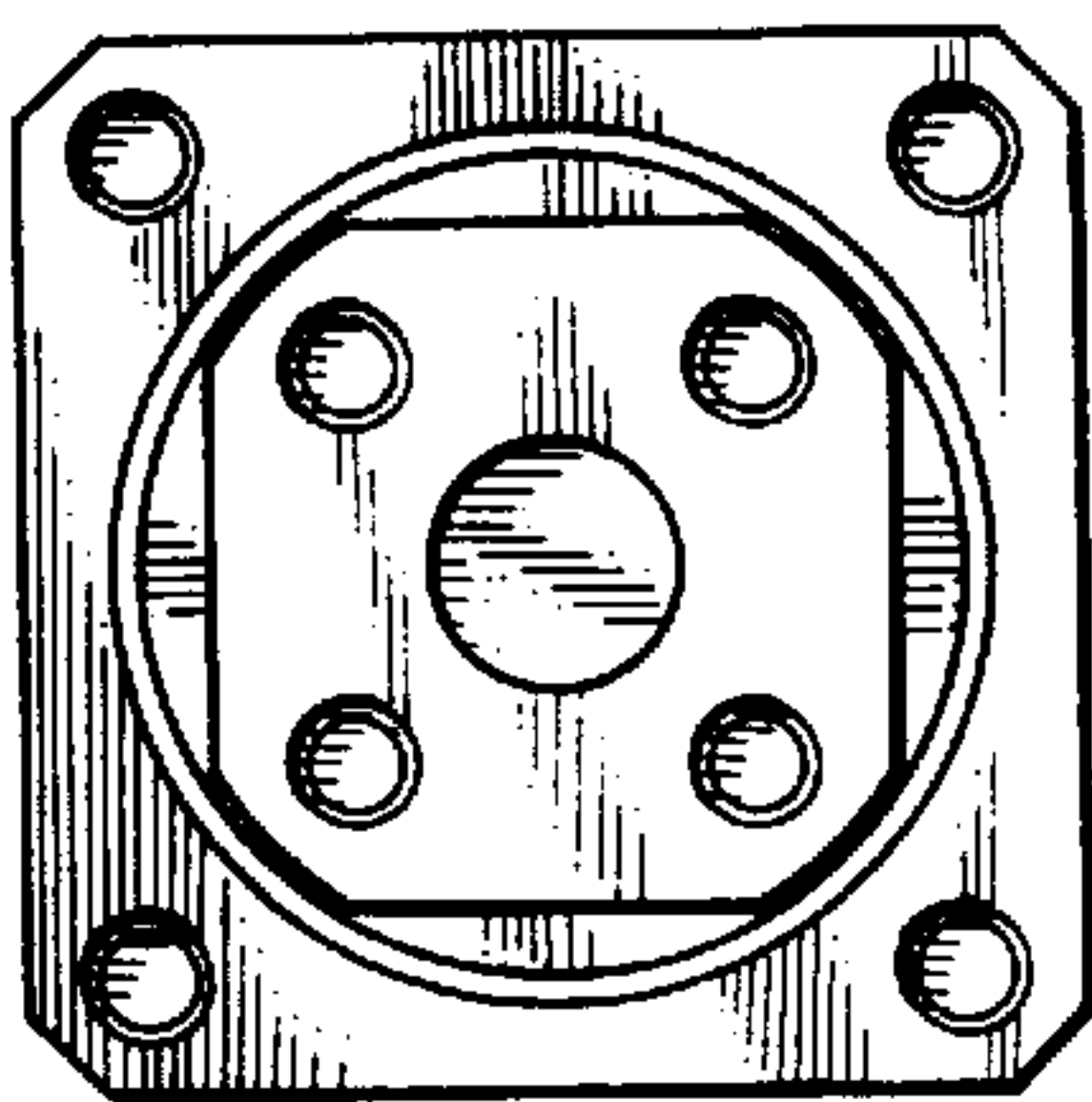
**FIG. 3**



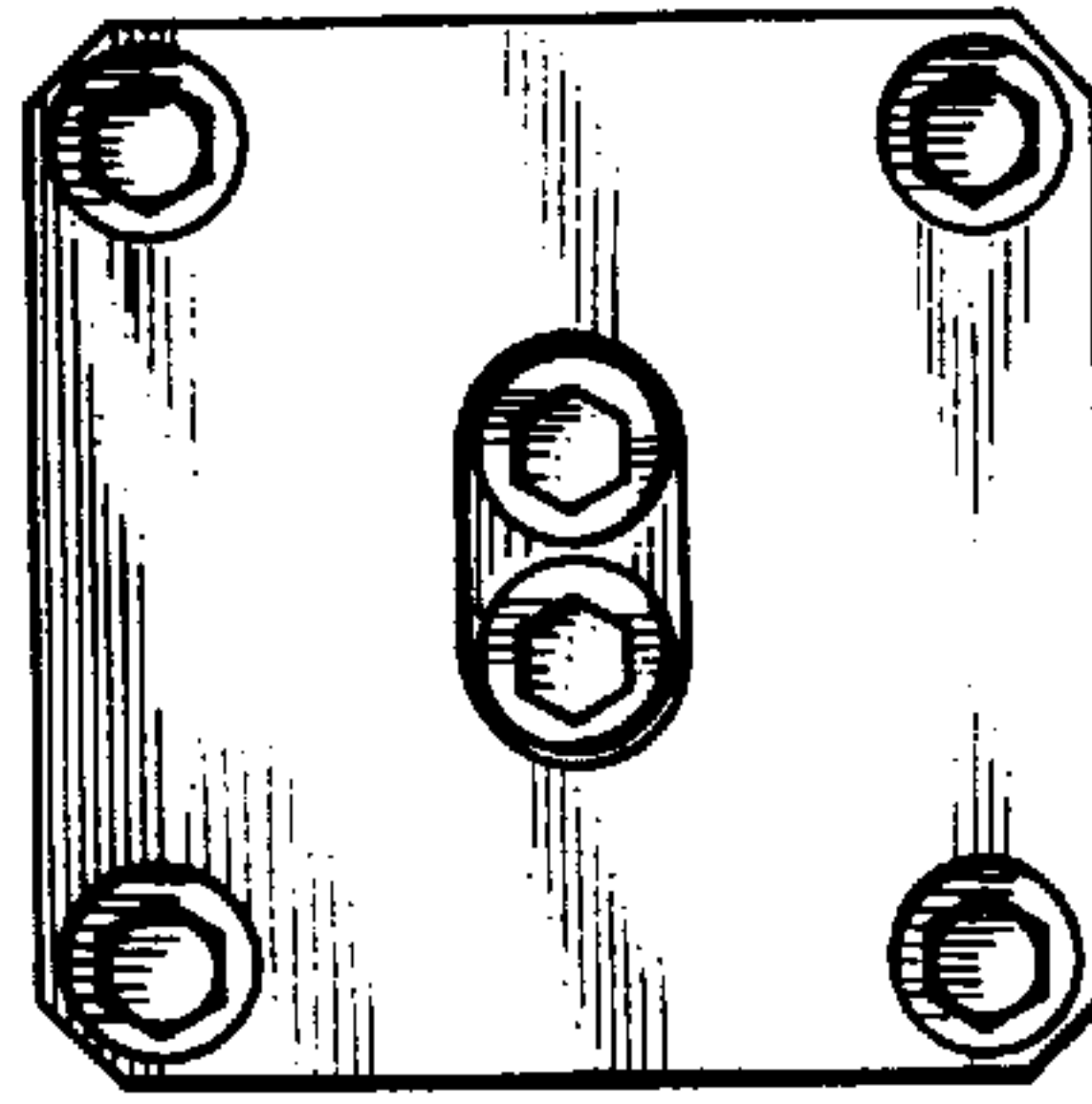
**FIG. 4**



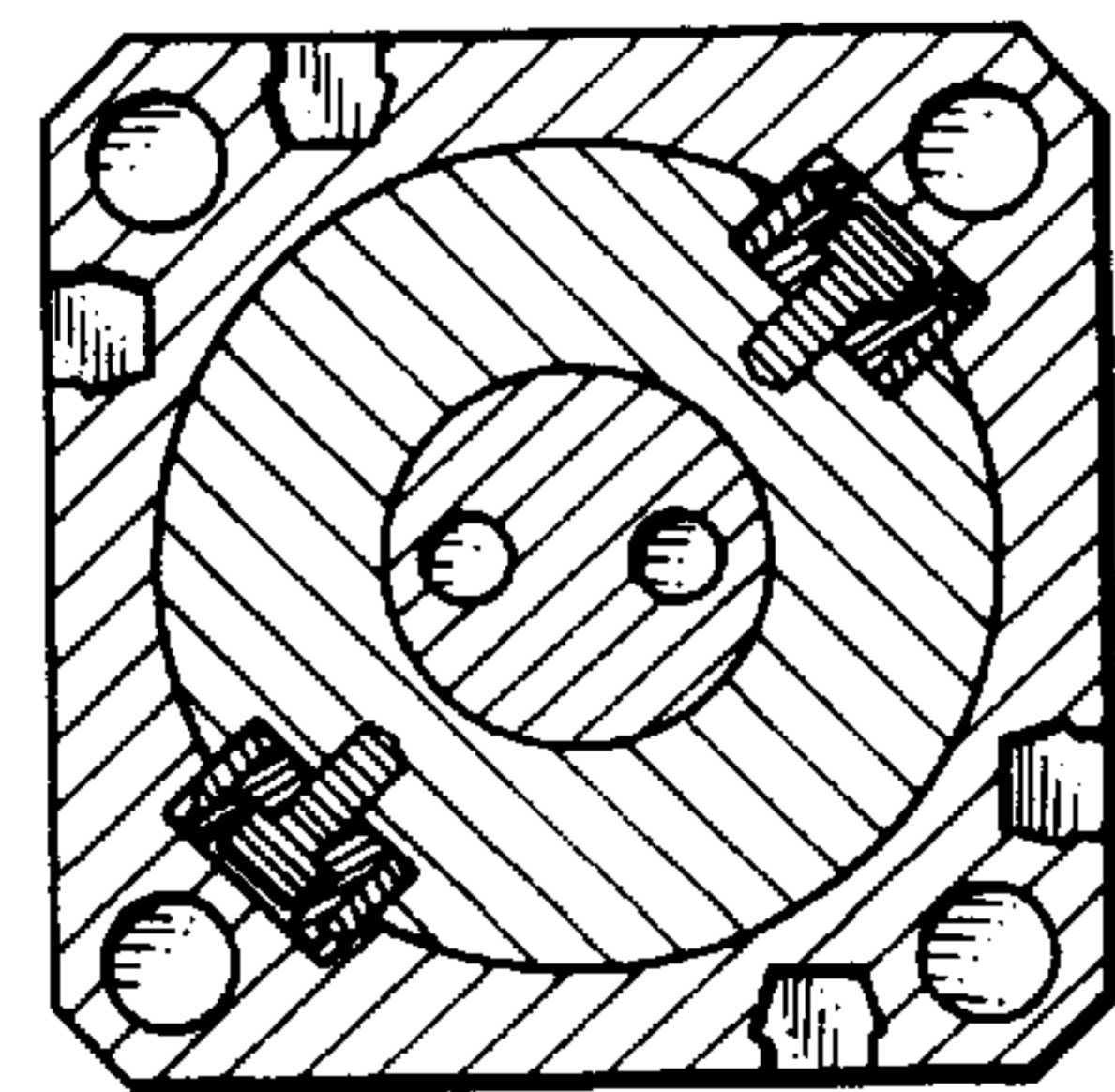
**FIG. 5**



**FIG. 6**



**FIG. 7**



**FIG. 8**