



US00D428616S

United States Patent [19] Iekura

[11] **Patent Number: Des. 428,616**

[45] **Date of Patent: ** Jul. 25, 2000**

[54] **OUTBOARD MOTOR**

D. 387,775 12/1997 Iekura D15/4
5,830,021 11/1998 Takahashi et al. 440/88

[75] Inventor: **Shuji Iekura**, Kyoto, Japan

[73] Assignee: **Sanshin Kogyo Kabushiki Kaisha**,
Japan

Primary Examiner—Ralf Seifert
Attorney, Agent, or Firm—Ostrolenk, Faber, Gerb & Soffen,
LLP

[**] Term: **14 Years**

[57] **CLAIM**

[21] Appl. No.: **29/094,259**

The ornamental design for an outboard motor, as shown and described.

[22] Filed: **Sep. 29, 1998**

DESCRIPTION

[51] **LOC (7) Cl.** **15-01**

[52] **U.S. Cl.** **D15/4**

[58] **Field of Search** D15/1-5; 440/52,
440/84, 88, 900, 3, 4, 6; 123/495; 290/43,
46, 54

FIG. 1 is a perspective looking toward the right side and rear of an outboard motor embodying the design of the instant invention;

FIGS. 2 and 3 are respective left and right side elevations of the outboard motor illustrated in FIG. 1;

FIGS. 4 and 5 are respective rear and front elevations of the outboard motor illustrated in FIG. 1; and,

FIGS. 6 and 7 are respective top and bottom views of the outboard motor illustrated in FIG. 1.

[56] **References Cited**

U.S. PATENT DOCUMENTS

D. 272,358 1/1984 Hall et al. D15/4
D. 275,394 9/1984 Ferguson et al. D15/4
D. 323,508 1/1992 Hirshberg et al. D15/4

1 Claim, 6 Drawing Sheets

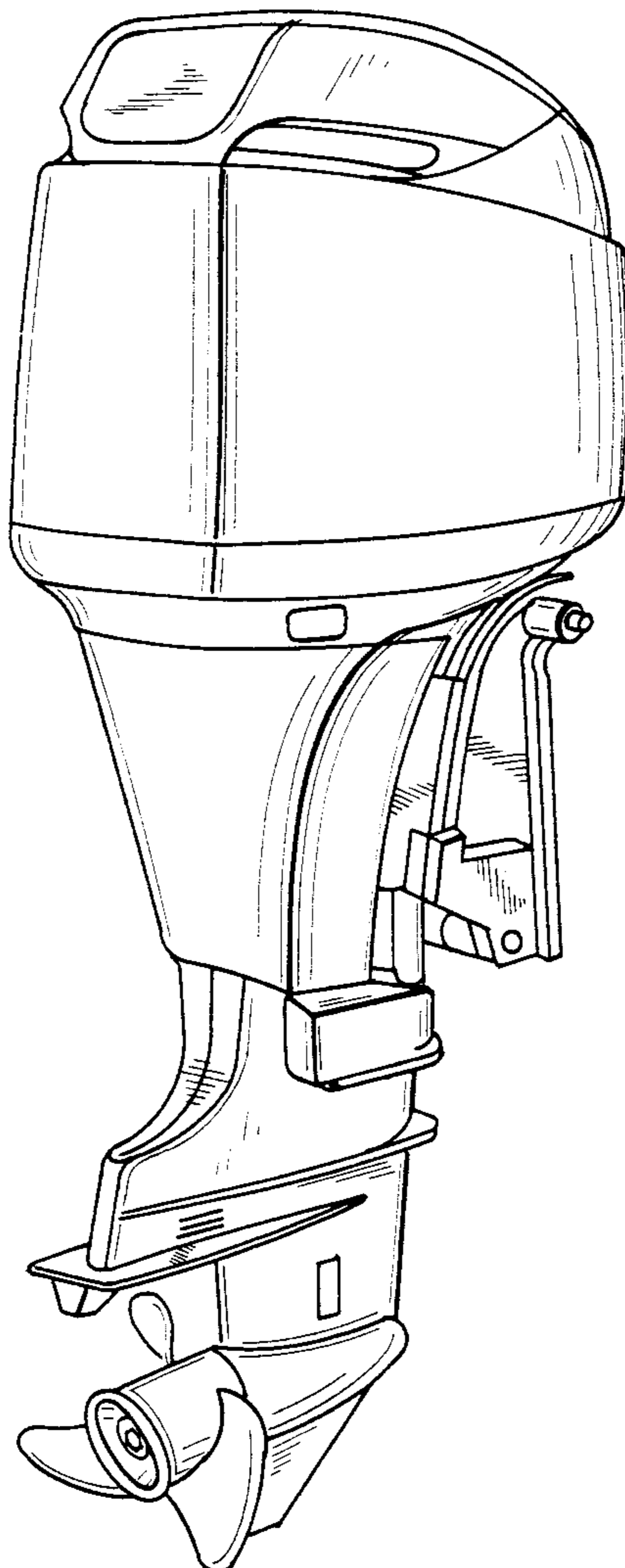


FIG. 1

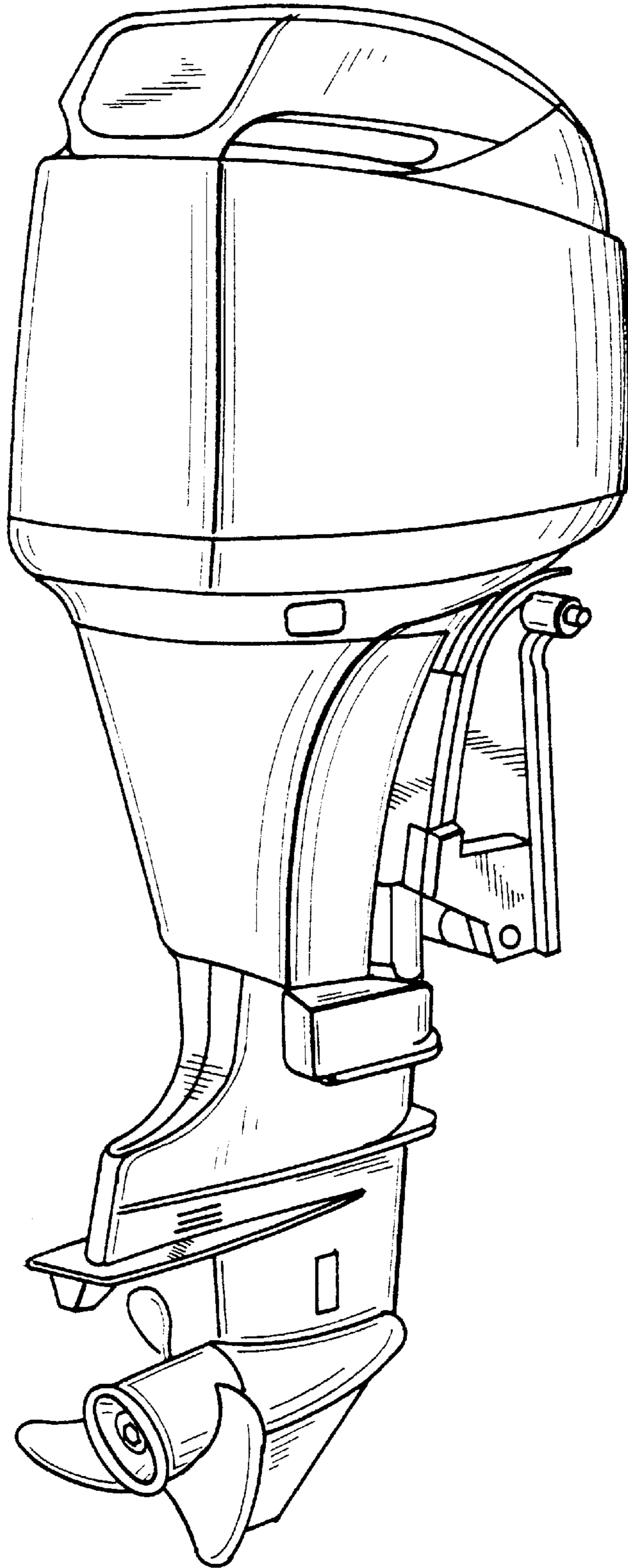


FIG. 2

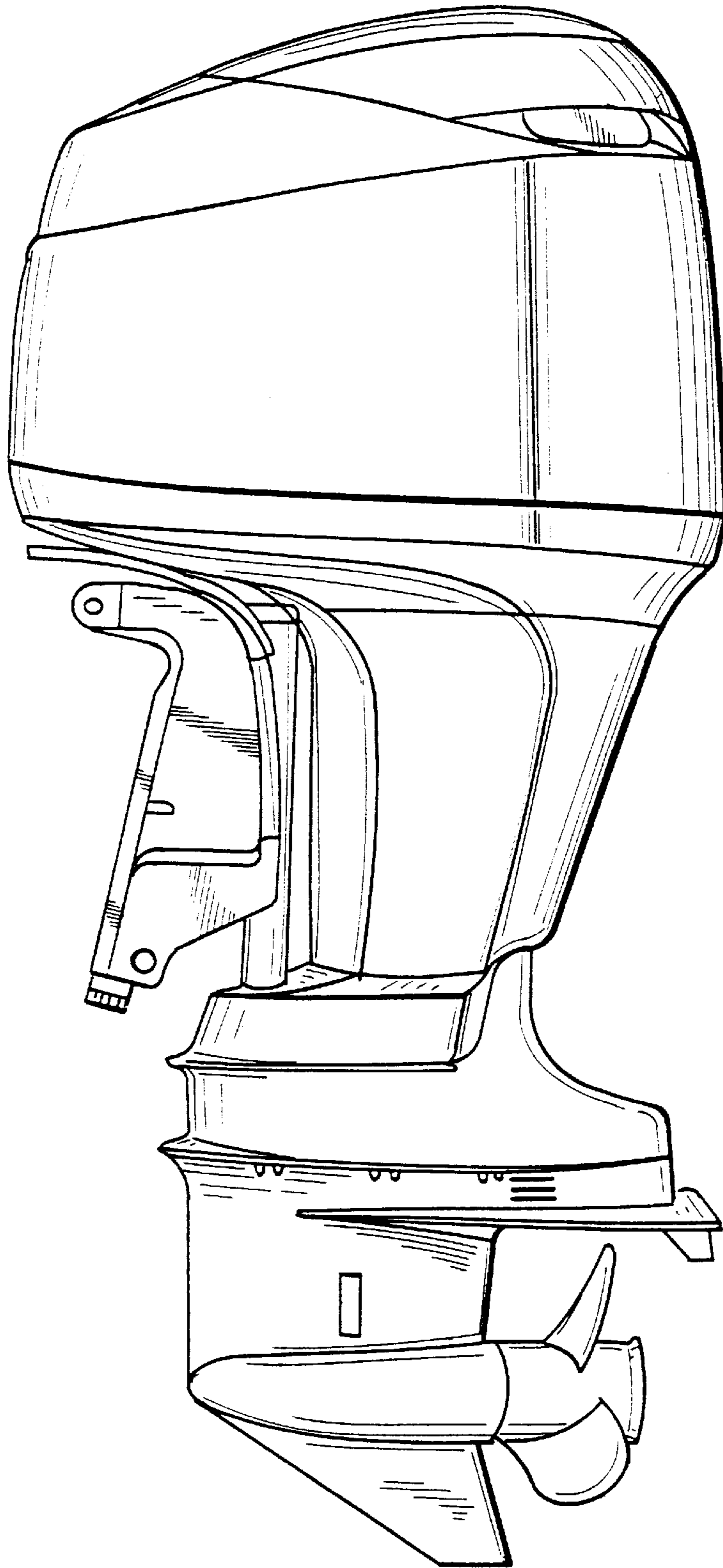


FIG. 3

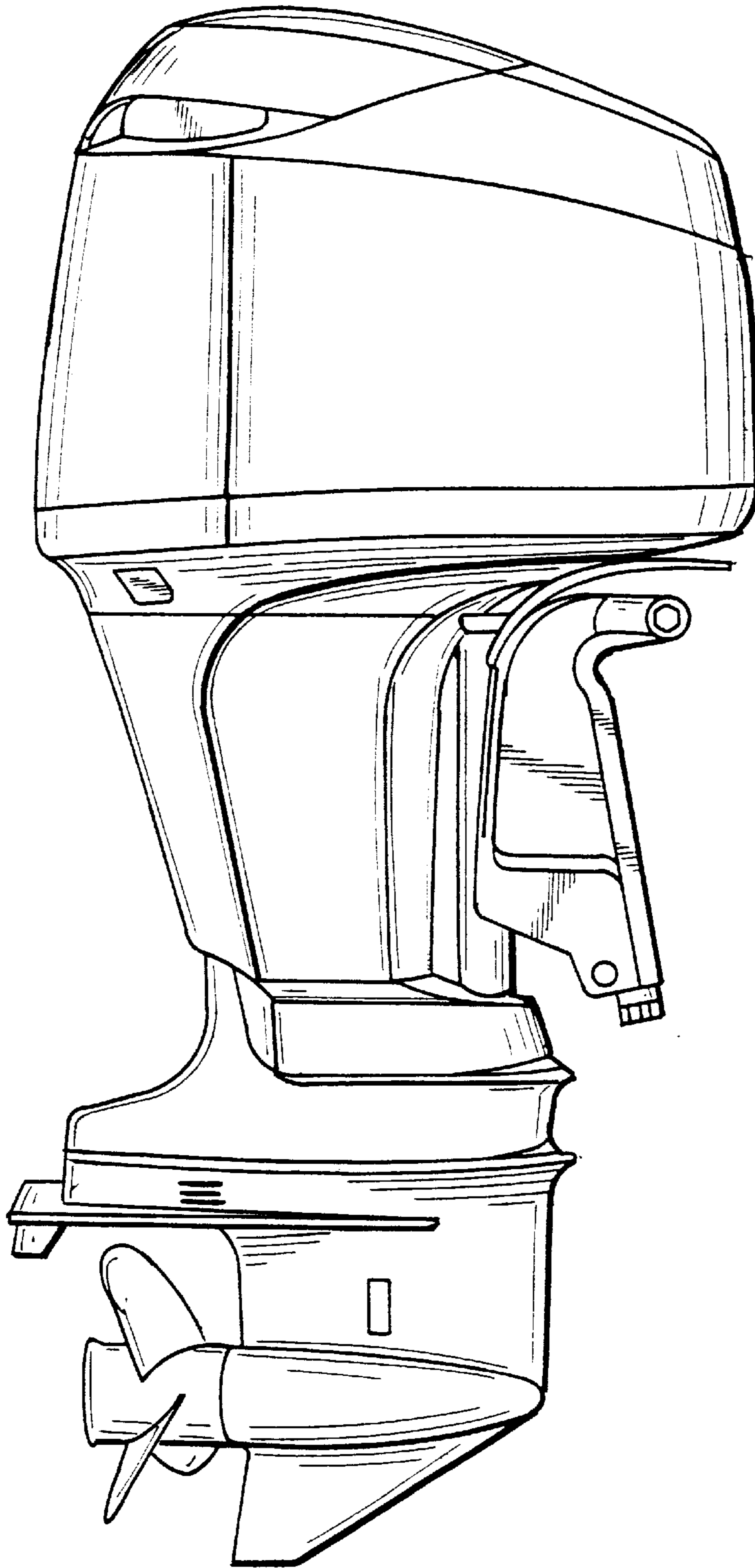


FIG. 4

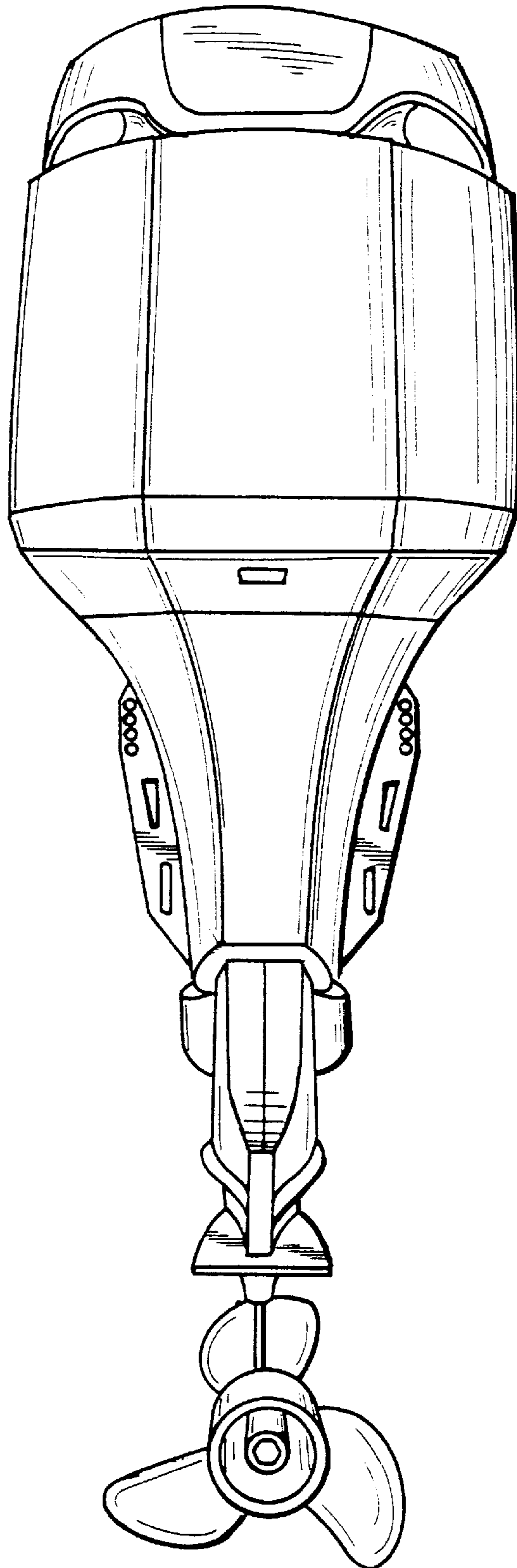


FIG. 5

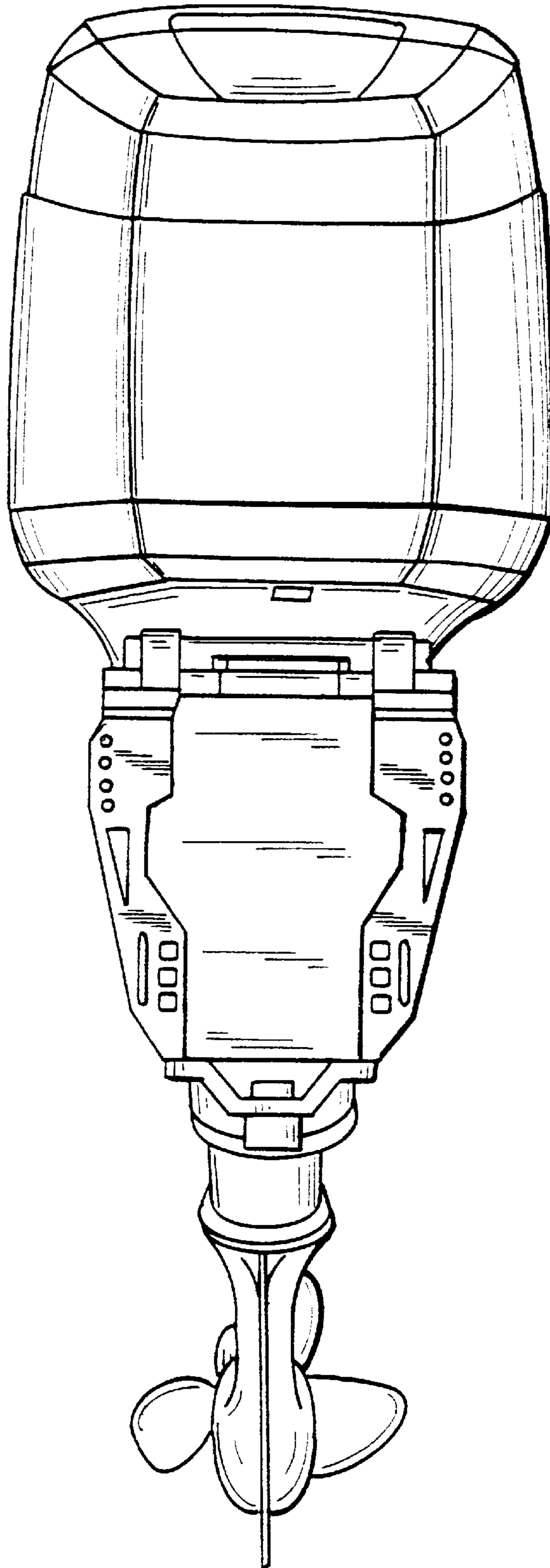


FIG. 7

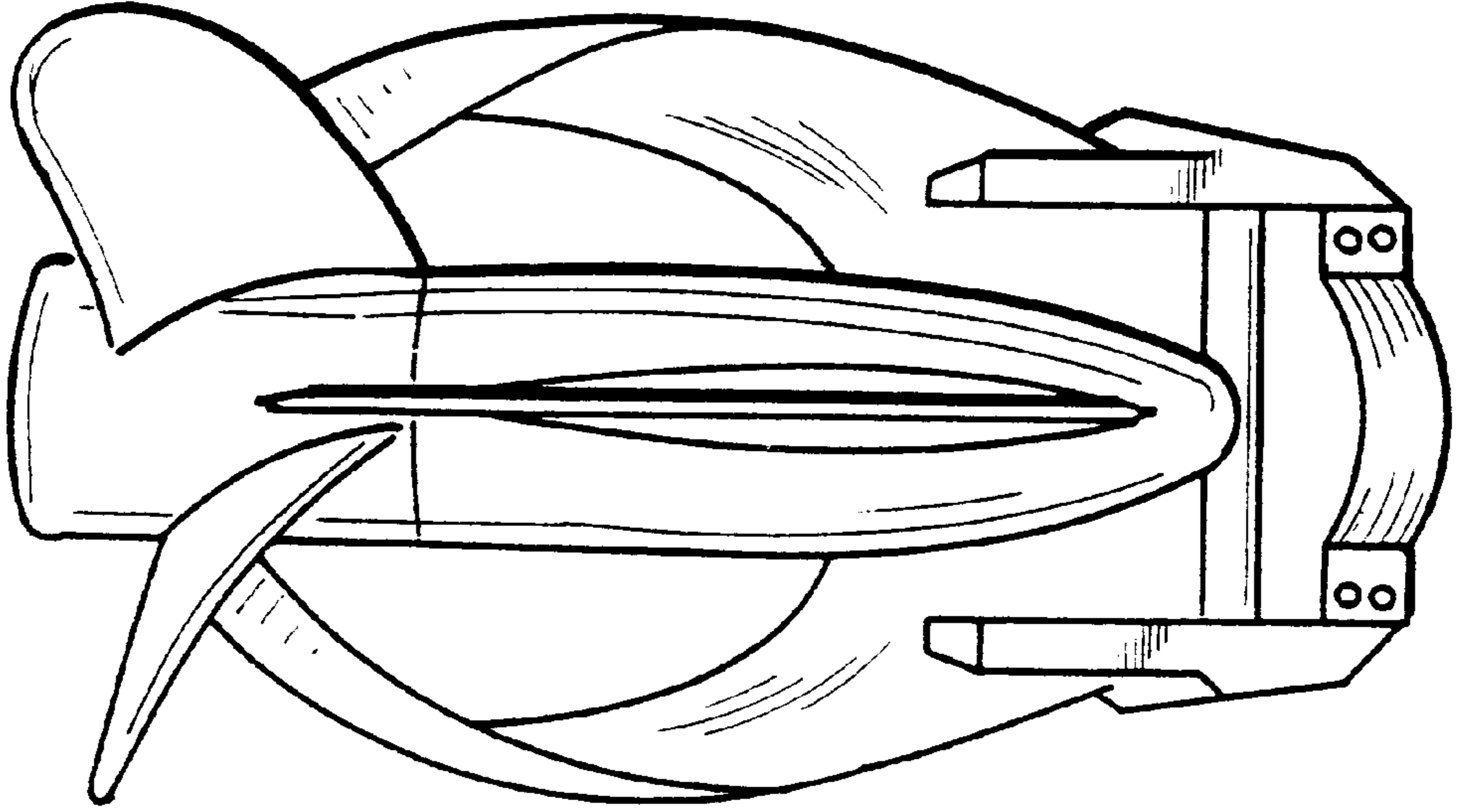


FIG. 6

