



US00D428612S

United States Patent [19] Scorrano

[11] **Patent Number: Des. 428,612**
[45] **Date of Patent: ** Jul. 25, 2000**

[54] **AM/FM RADIO**

[75] **Inventor: Vincent Scorrano**, Kowloon, The Hong Kong Special Administrative Region of the People's Republic of China

[73] **Assignee: Aspen Marketing, Inc.**, Evergreen, Colo.

[**] **Term: 14 Years**

[21] **Appl. No.: 29/110,064**

[22] **Filed: Aug. 27, 1999**

[51] **LOC (7) Cl. 14-03**

[52] **U.S. Cl. D14/194**

[58] **Field of Search** D10/2, 15; D14/168, D14/170, 171, 188-189, 193-198; 455/344, 347, 350, 351

- D. 380,757 7/1997 Mak .
- D. 380,758 7/1997 Zeitman .
- D. 381,658 7/1997 Ito et al. .
- D. 381,659 7/1997 Tokiyama et al. .
- D. 381,983 8/1997 Nagai .
- D. 395,432 6/1998 Woolley et al. .
- D. 395,654 6/1998 Mackie et al. .
- D. 395,884 7/1998 Igbinalolor .
- D. 395,885 7/1998 Hough et al. .
- D. 398,928 9/1998 Dijkstra .
- D. 400,206 10/1998 Mahgerefteh .
- D. 400,533 11/1998 Xie .
- D. 403,679 1/1999 Tsui .
- D. 406,843 3/1999 Zeitman .
- D. 407,405 3/1999 Chiu .
- D. 407,406 3/1999 Page et al. .

(List continued on next page.)

[56] **References Cited**

U.S. PATENT DOCUMENTS

- D. 52,396 9/1918 Hine .
- D. 86,714 2/1932 Graesser .
- D. 113,870 3/1939 Lorden .
- D. 117,846 11/1939 Boyle .
- D. 145,076 6/1946 Gordenier .
- D. 146,391 2/1947 Wales .
- D. 146,907 6/1947 Glover .
- D. 149,132 3/1948 Kende .
- D. 150,660 8/1948 Setchell .
- D. 170,671 10/1953 Wilson .
- D. 189,160 11/1960 Mason .
- D. 210,129 2/1968 Ross et al. .
- D. 216,649 2/1970 Ohwada et al. .
- D. 217,357 4/1970 Makino et al. .
- D. 227,677 7/1973 Koch et al. .
- D. 228,363 9/1973 Christie, Jr. .
- D. 232,769 9/1974 Au et al. .
- D. 241,771 10/1976 Yamamura .
- D. 306,858 3/1990 Zeitman .
- D. 315,160 3/1991 Azuelos .
- D. 340,056 10/1993 Caron et al. .
- D. 363,228 10/1995 Healey .
- D. 379,007 4/1997 Obata .
- D. 380,753 7/1997 Constantine et al. .
- D. 380,756 7/1997 Ohba .

OTHER PUBLICATIONS

- Bose Advertisement in Parade Magazine (undated).
- Bose Wave Radio Advertisement (1999).
- 1999 Sunscope catalog page with RR9901 Curve AM/FM Radio with Alarm Clock.
- Advertisement for Zenith Audio Clock Radio (undated).

Primary Examiner—Nanda Bondade
Attorney, Agent, or Firm—McEachran, Jambor, Keating, Bock & Kurtz

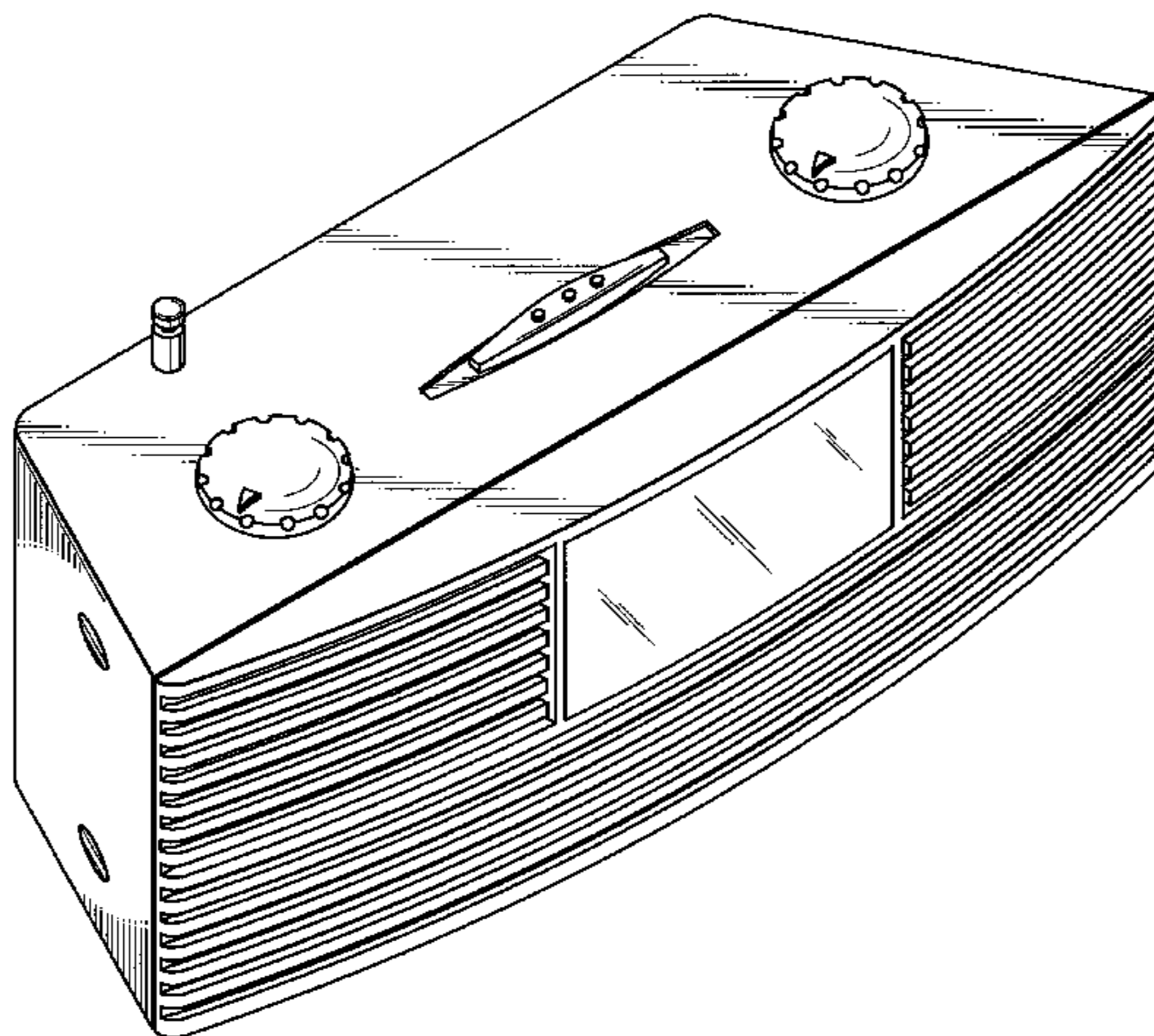
[57] **CLAIM**

The ornamental design for an AM/FM radio, as shown and described.

DESCRIPTION

FIG. 1 is a perspective view of the radio of my invention; FIG. 2 is a front elevational view of the radio of my invention; FIG. 3 is a rear elevational view of the radio of my invention; FIG. 4 is a left side elevational view of the radio of my invention; FIG. 5 is a right side elevational view of the radio of my invention; FIG. 6 is a top plan view of the radio of my invention; and, FIG. 7 is a bottom plan view of the radio of my invention.

1 Claim, 4 Drawing Sheets



Des. 428,612

Page 2

U.S. PATENT DOCUMENTS

D. 408,410	4/1999	Zeitman .	D. 408,412	4/1999	Zeitman .
D. 408,411	4/1999	Hakoda .	D. 408,414	4/1999	Stead et al. .
			3,086,297	4/1963	Kantrowitz .
			5,471,659	11/1995	Wong .

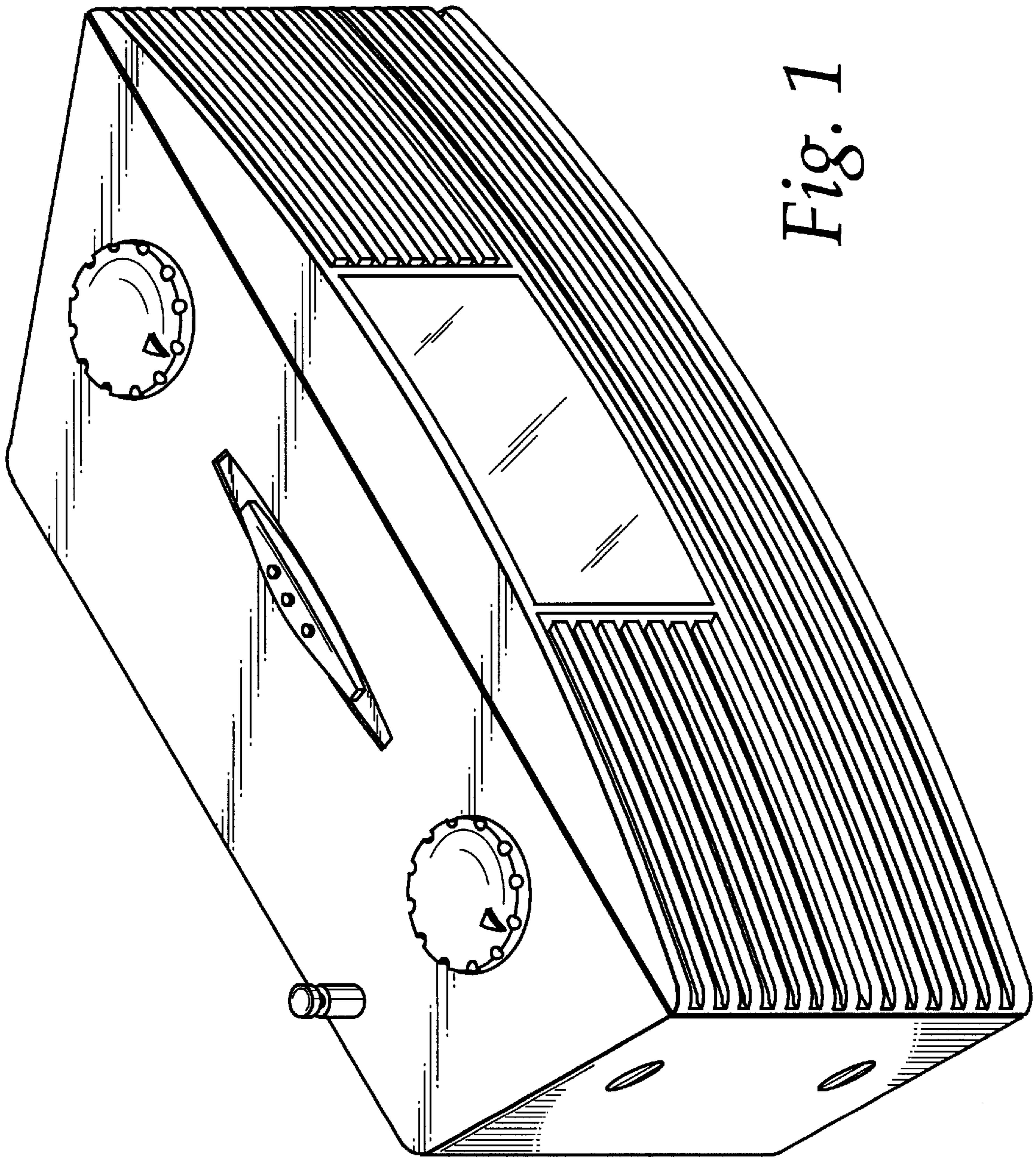


Fig. 1

Fig. 2

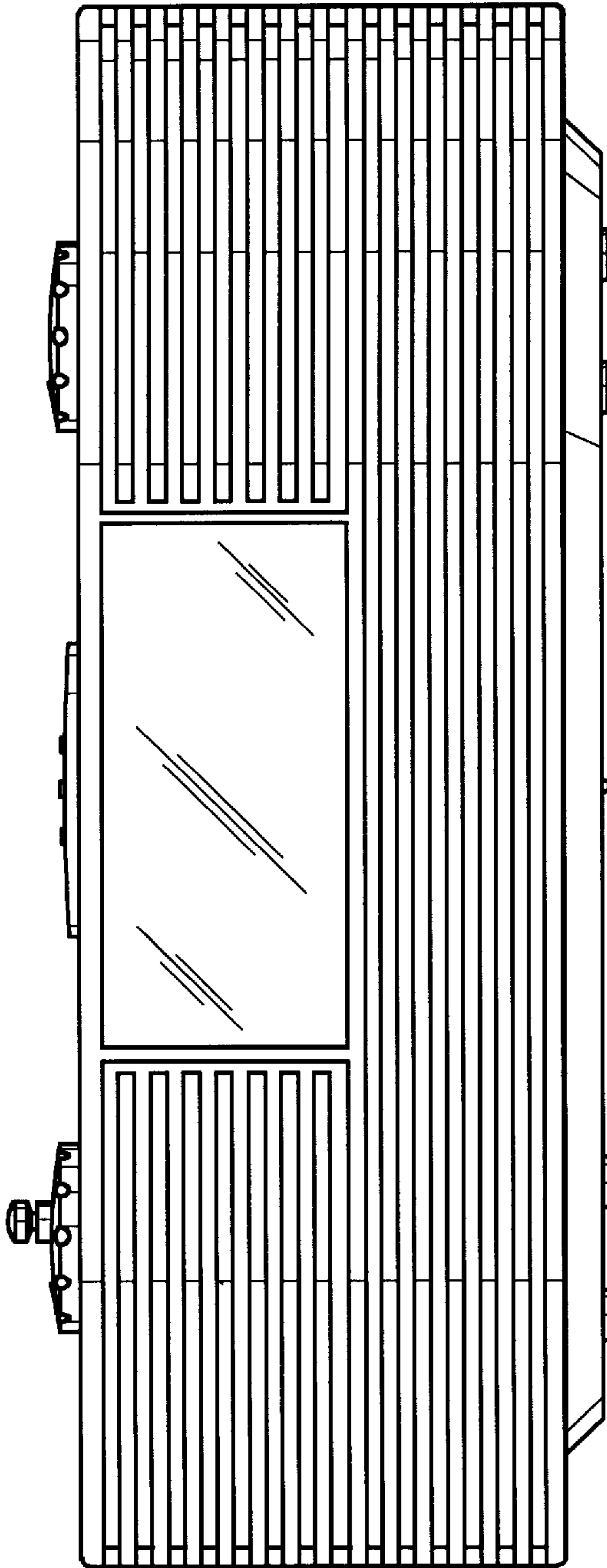
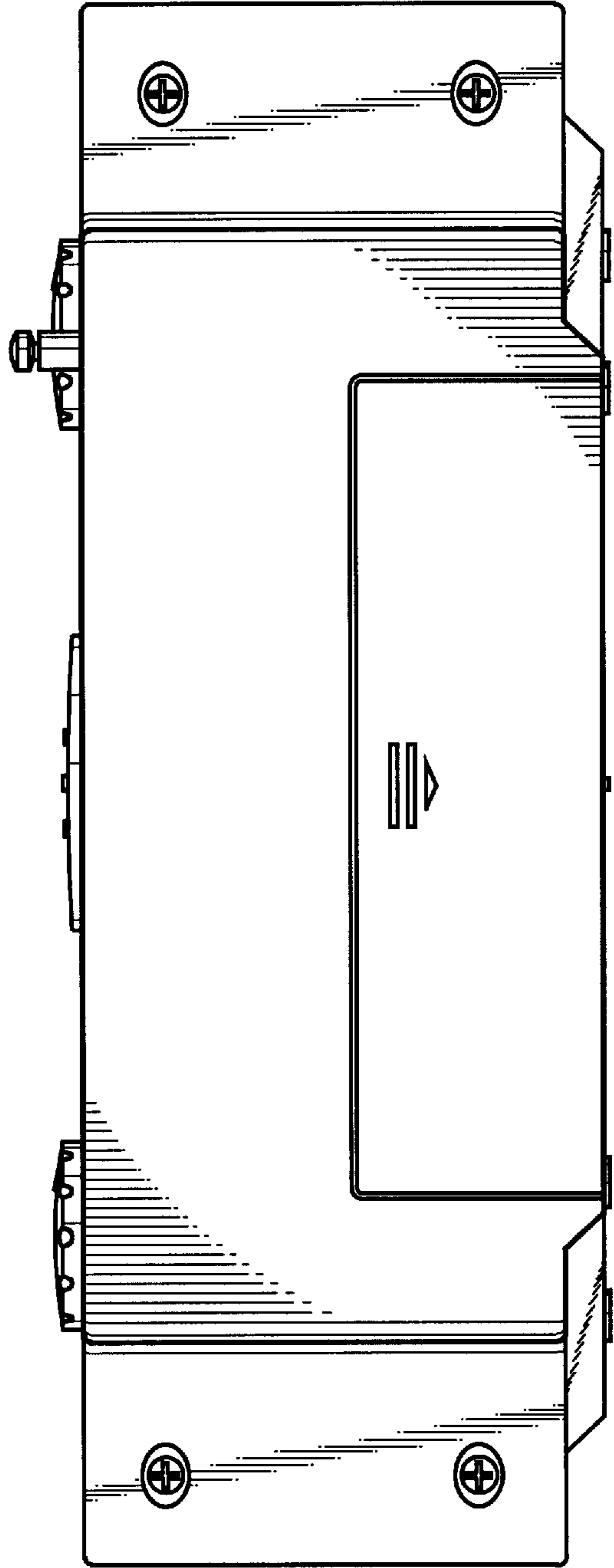


Fig. 3



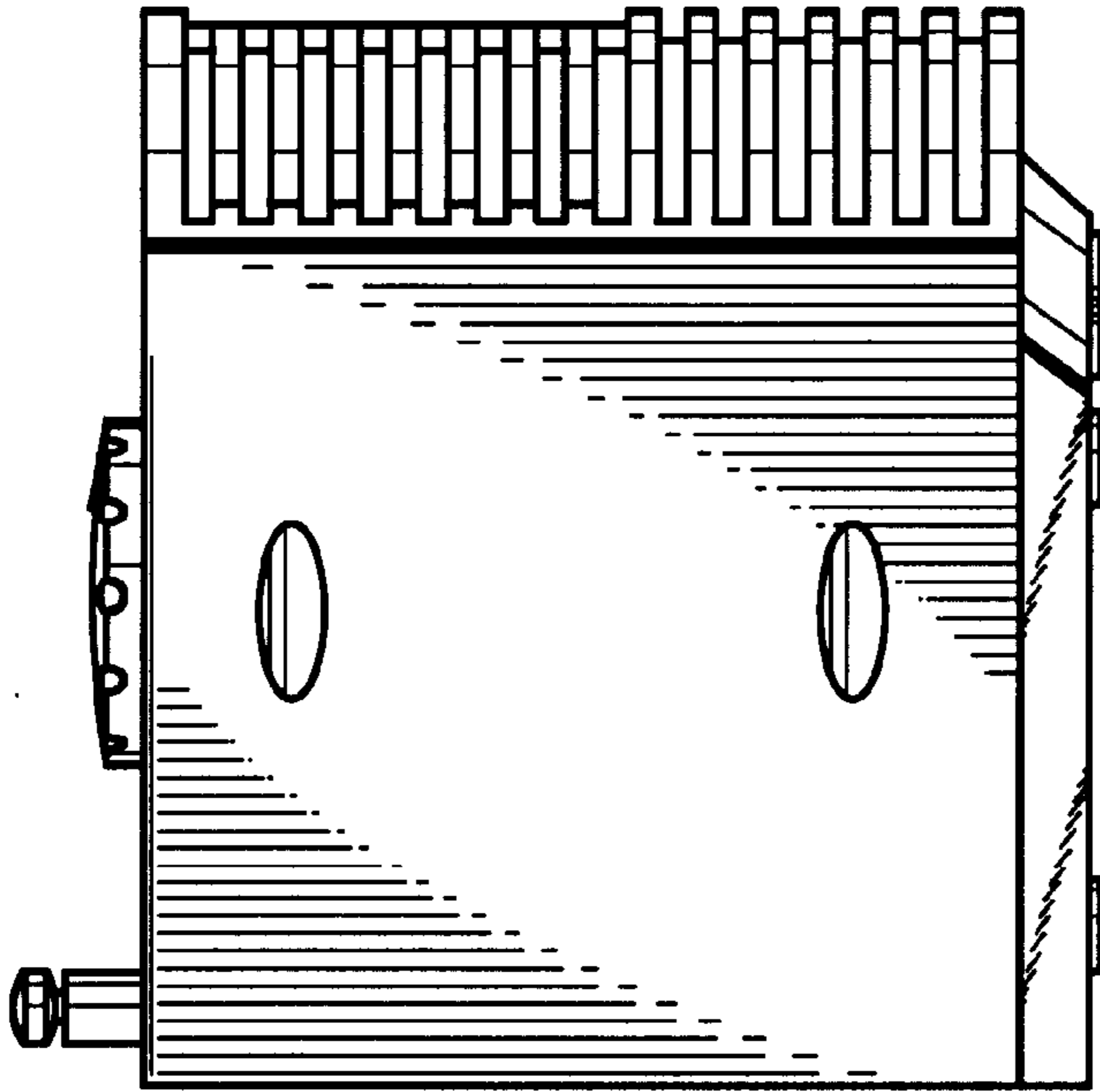


Fig. 5

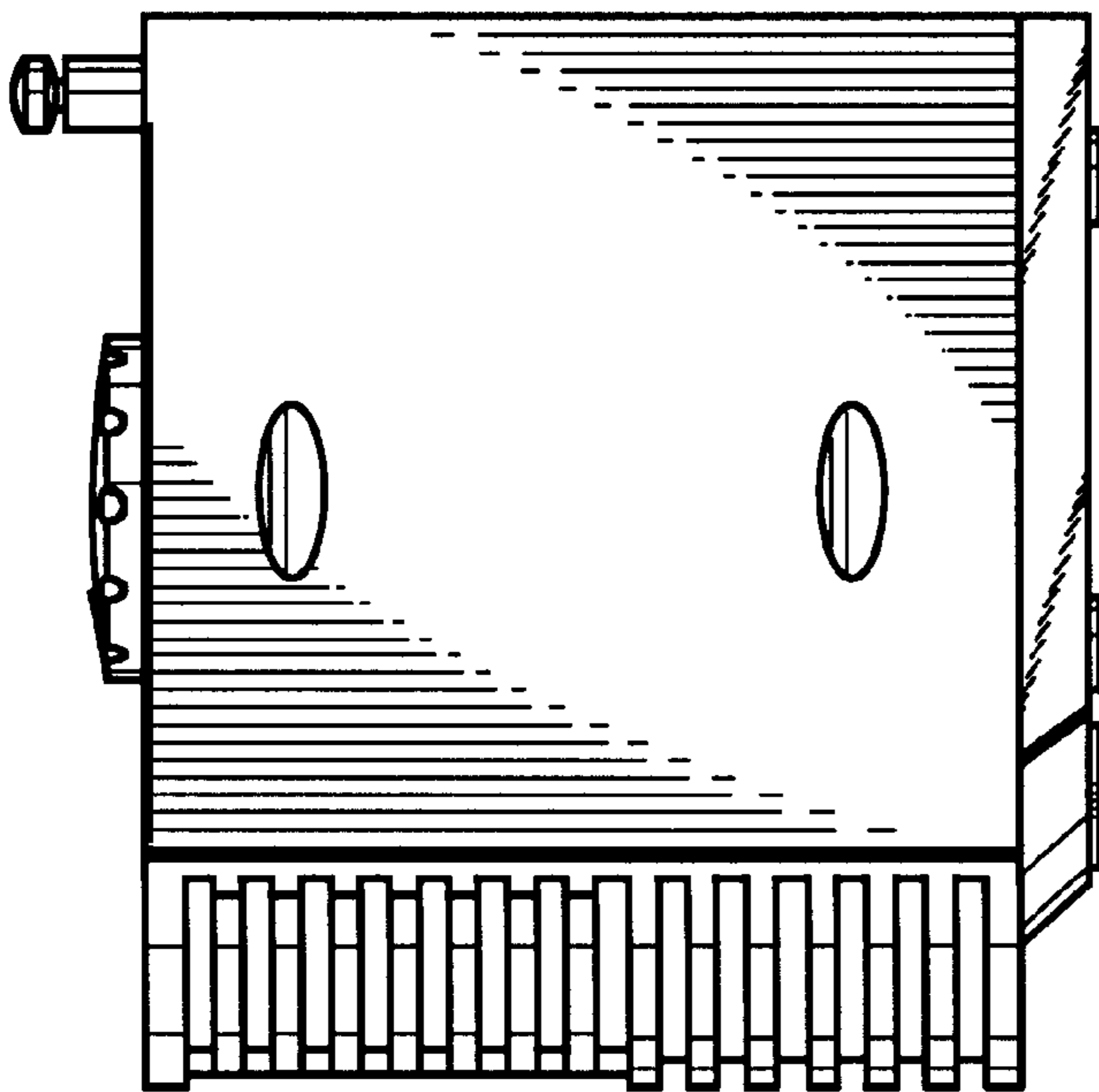


Fig. 4

Fig. 6

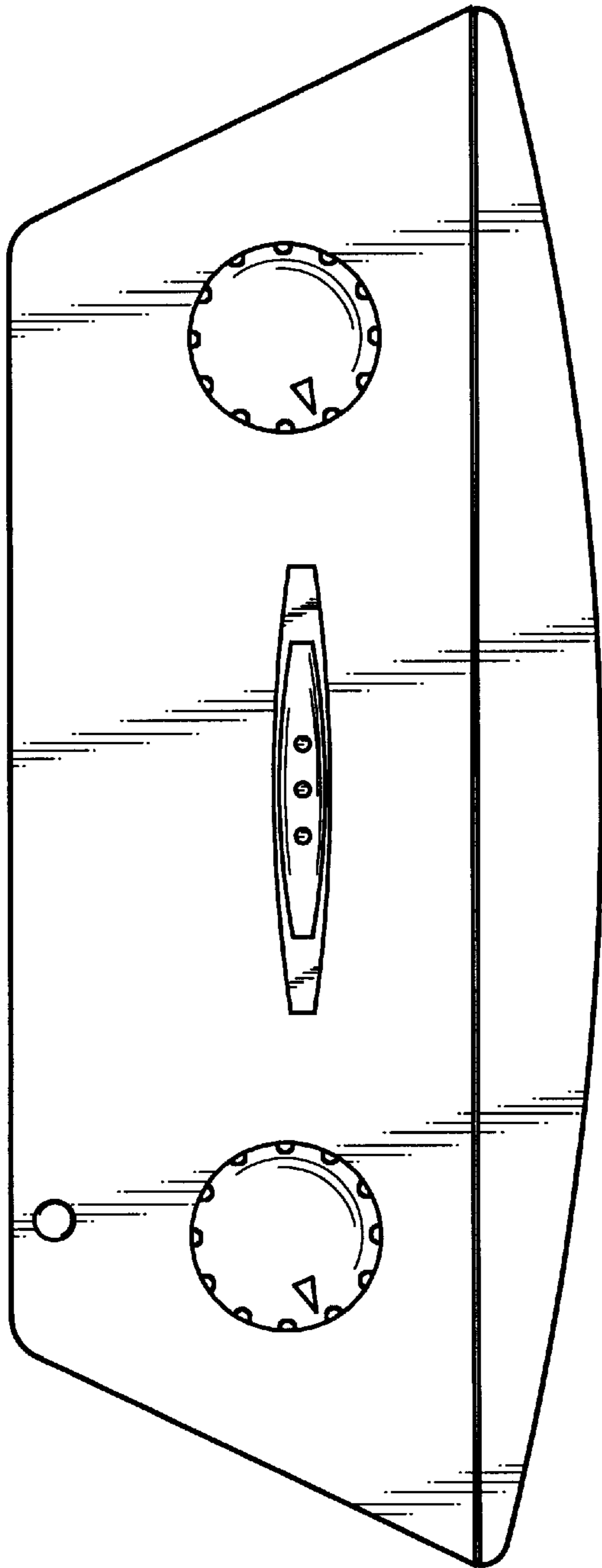


Fig. 7

