



US00D428608S

United States Patent [19]

[11] Patent Number: **Des. 428,608**

Ishio et al.

[45] Date of Patent: **** Jul. 25, 2000**

[54] **FACSIMILE MACHINE**

D. 397,333	8/1998	Kawai	D14/118
5,166,812	11/1992	Dow et al.	258/400 X
5,329,377	7/1994	Gregg	358/400

[75] Inventors: **Hisaya Ishio, Toda; Ryoichi Ishiura,**
Tokyo, both of Japan

Primary Examiner—Prabhakar Deshmukh
Attorney, Agent, or Firm—Bacon & Thomas, PLLC

[73] Assignee: **Toshiba Tec Kabushiki Kaisha,** Tokyo,
Japan

[57] **CLAIM**

[**] Term: **14 Years**

The ornamental design for a facsimile machine, as shown and described.

[21] Appl. No.: **29/107,805**

[22] Filed: **Jul. 15, 1999**

[30] **Foreign Application Priority Data**

Jan. 18, 1999 [JP] Japan 11-670

[51] **LOC (7) Cl.** **16-03**

[52] **U.S. Cl.** **D14/118**

[58] **Field of Search** D14/118, 124,
D14/299; 358/400, 401; D18/36, 37

DESCRIPTION

FIG. 1 is a front, top and right side perspective view of a facsimile machine, showing our new design;
FIG. 2 is a front elevational view thereof;
FIG. 3 is a rear elevational view thereof;
FIG. 4 is a right side elevational view thereof;
FIG. 5 is a left side elevational view thereof;
FIG. 6 is a top plan view thereof;
FIG. 7 is a bottom plan view thereof; and,
FIG. 8 is a front, top and right side perspective view of a second embodiment of the facsimile machine.

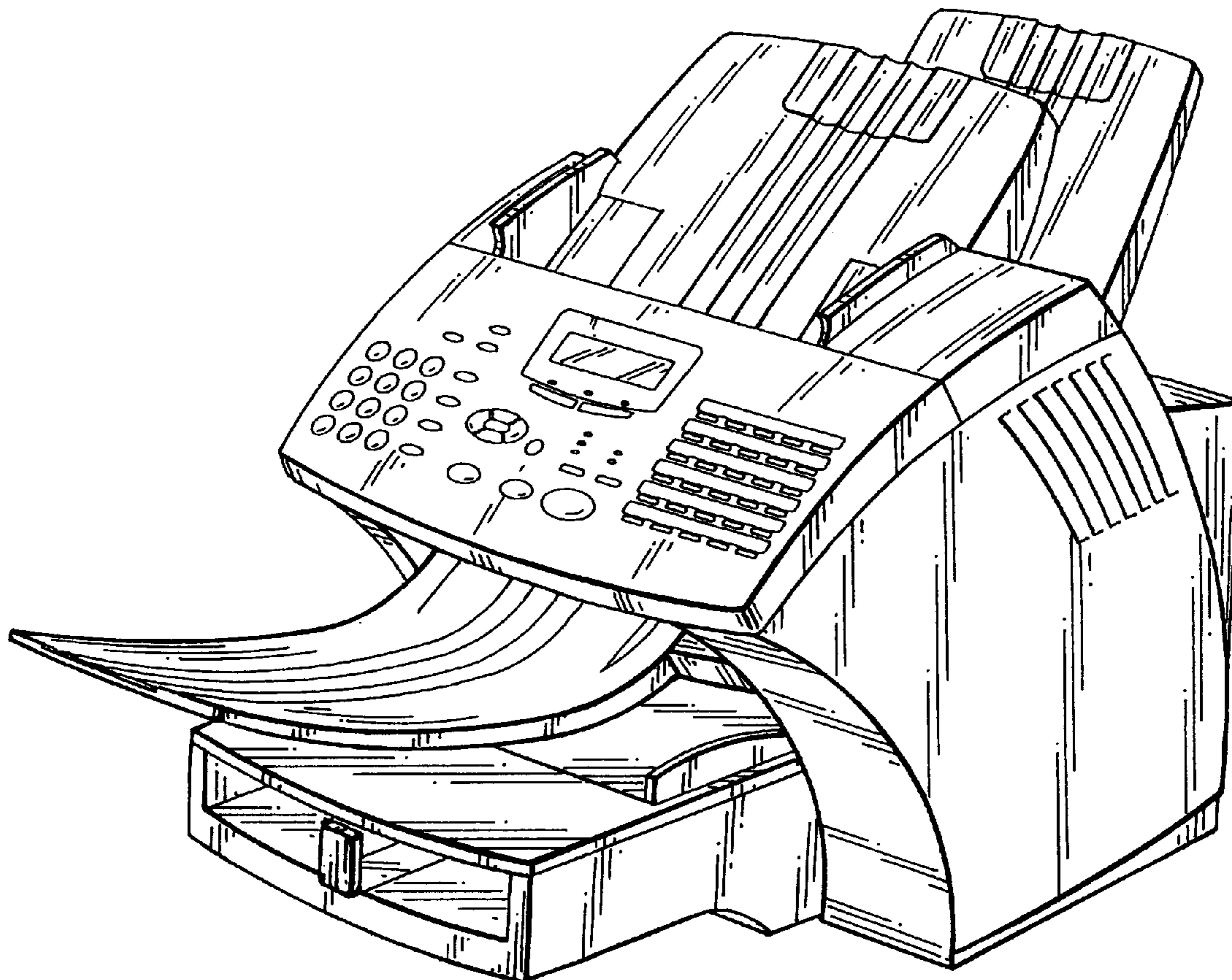
The undisclosed views of the second embodiment (FIG. 8) are same as disclosed in FIGS. 2-7 of the first embodiment (FIG. 1).

[56] **References Cited**

U.S. PATENT DOCUMENTS

D. 344,939	3/1994	Kashiwabara et al.	D14/118
D. 355,905	2/1995	Takeichi	D14/118
D. 363,713	10/1995	Kanari et al.	D14/118
D. 373,763	9/1996	Daley	D14/118

1 Claim, 4 Drawing Sheets



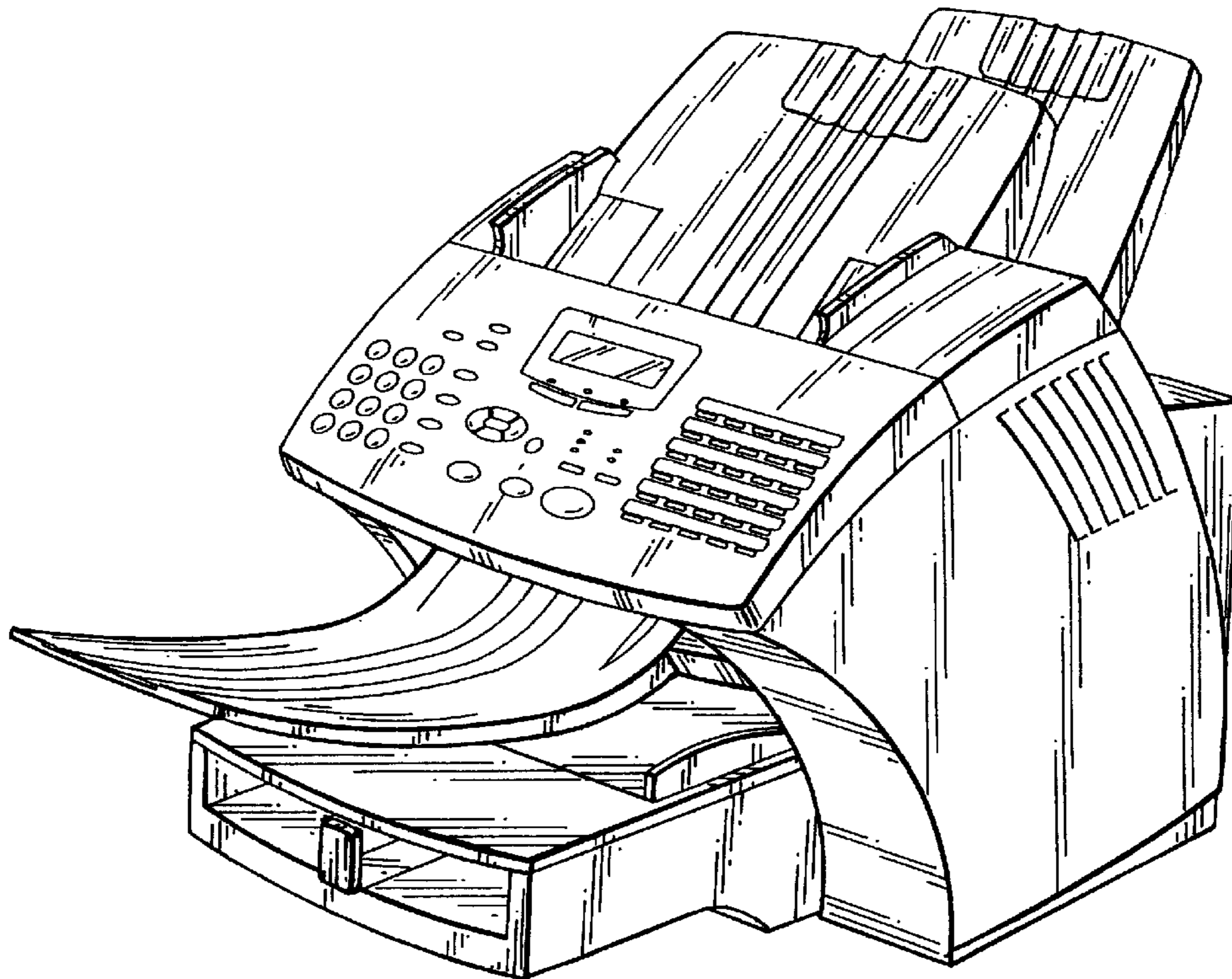


FIG. 1

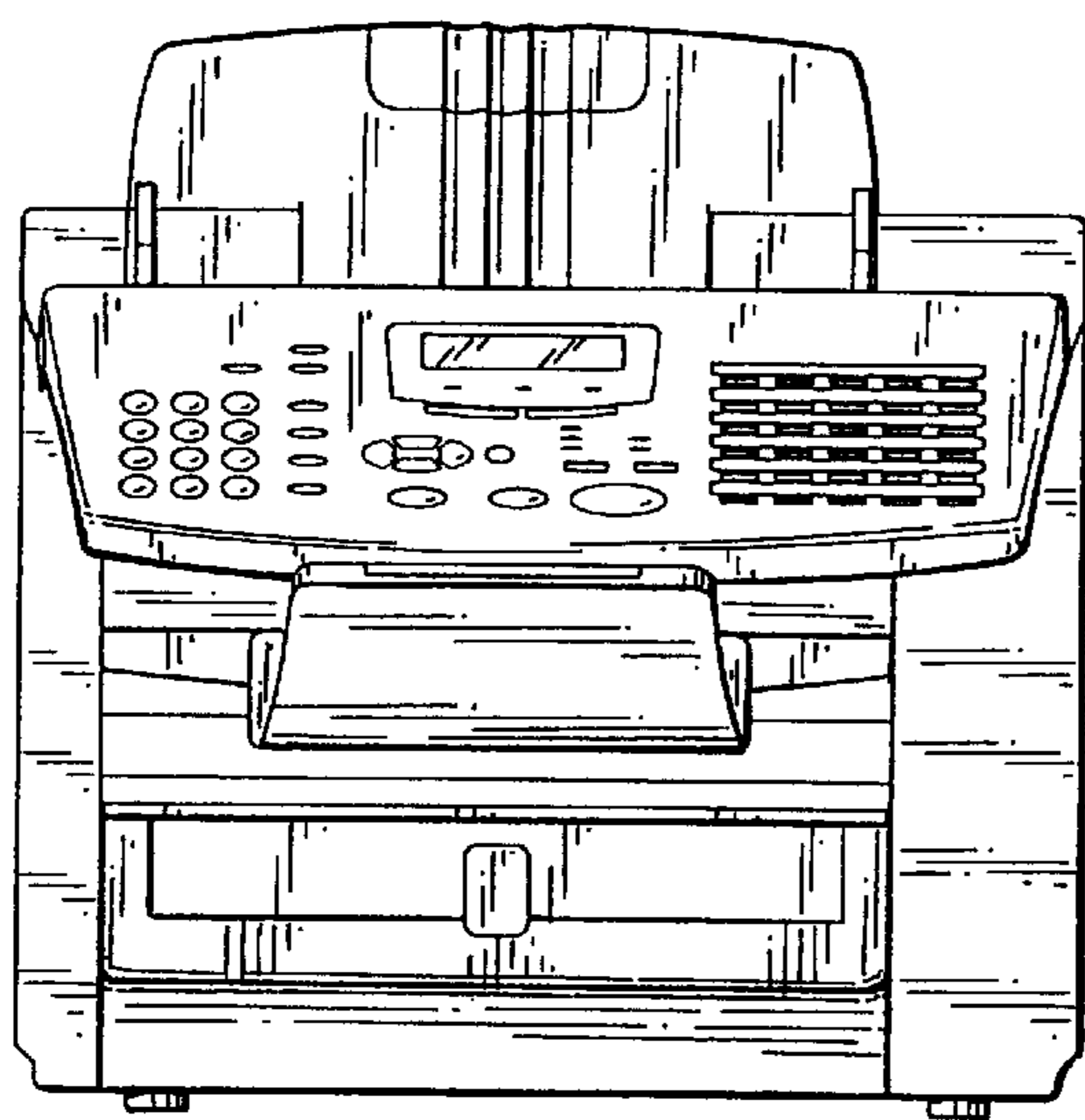


FIG. 2

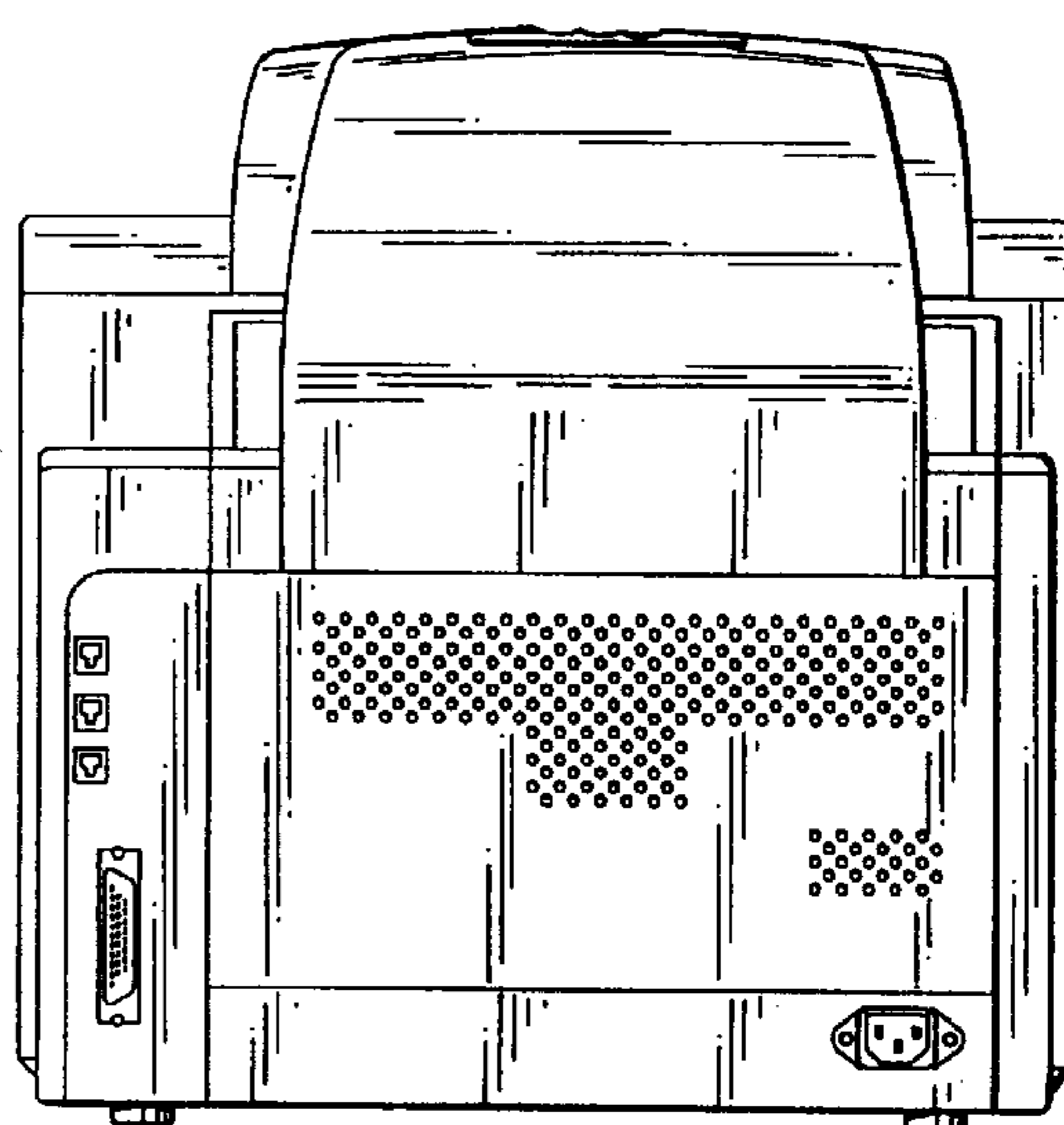


FIG. 3

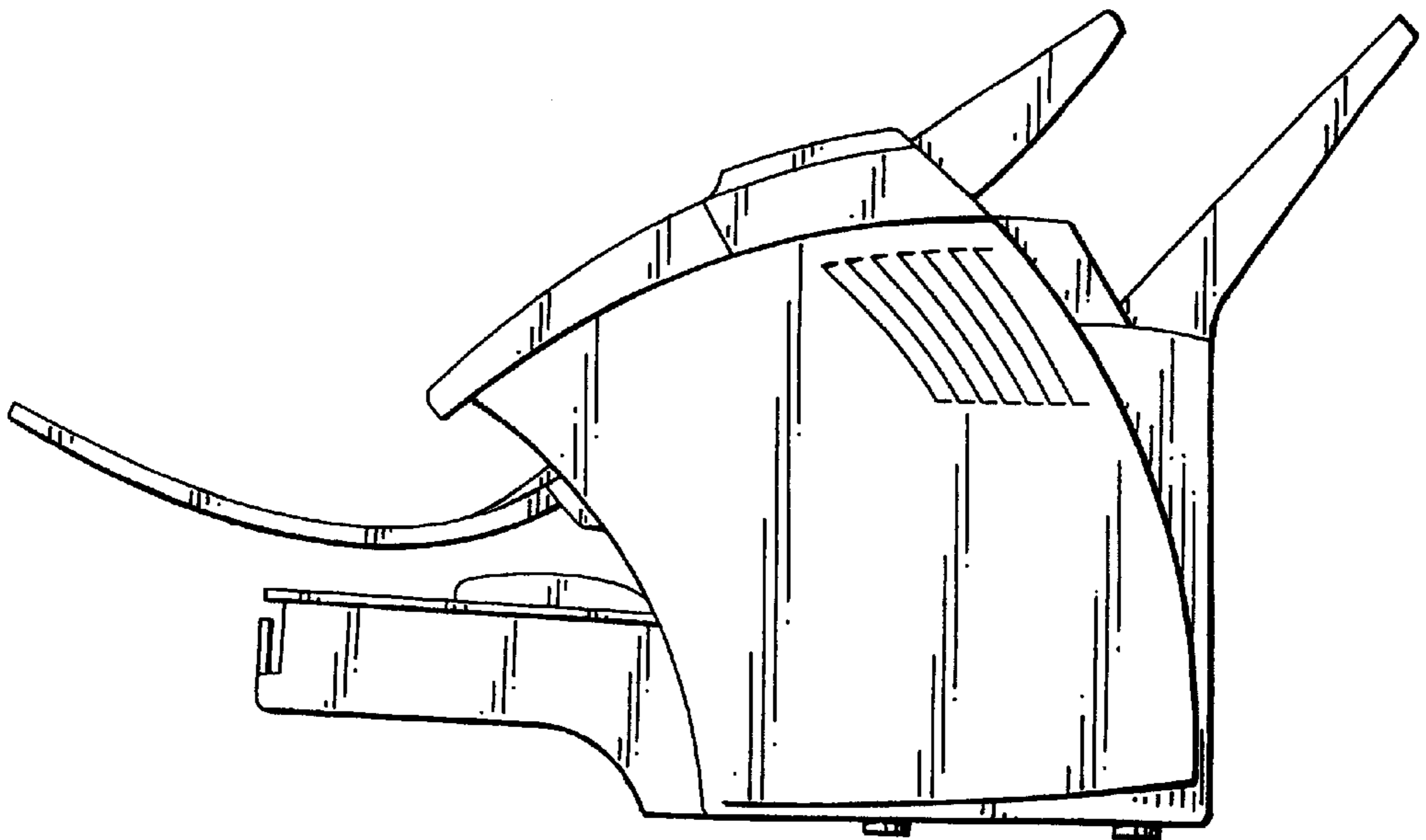


FIG. 4

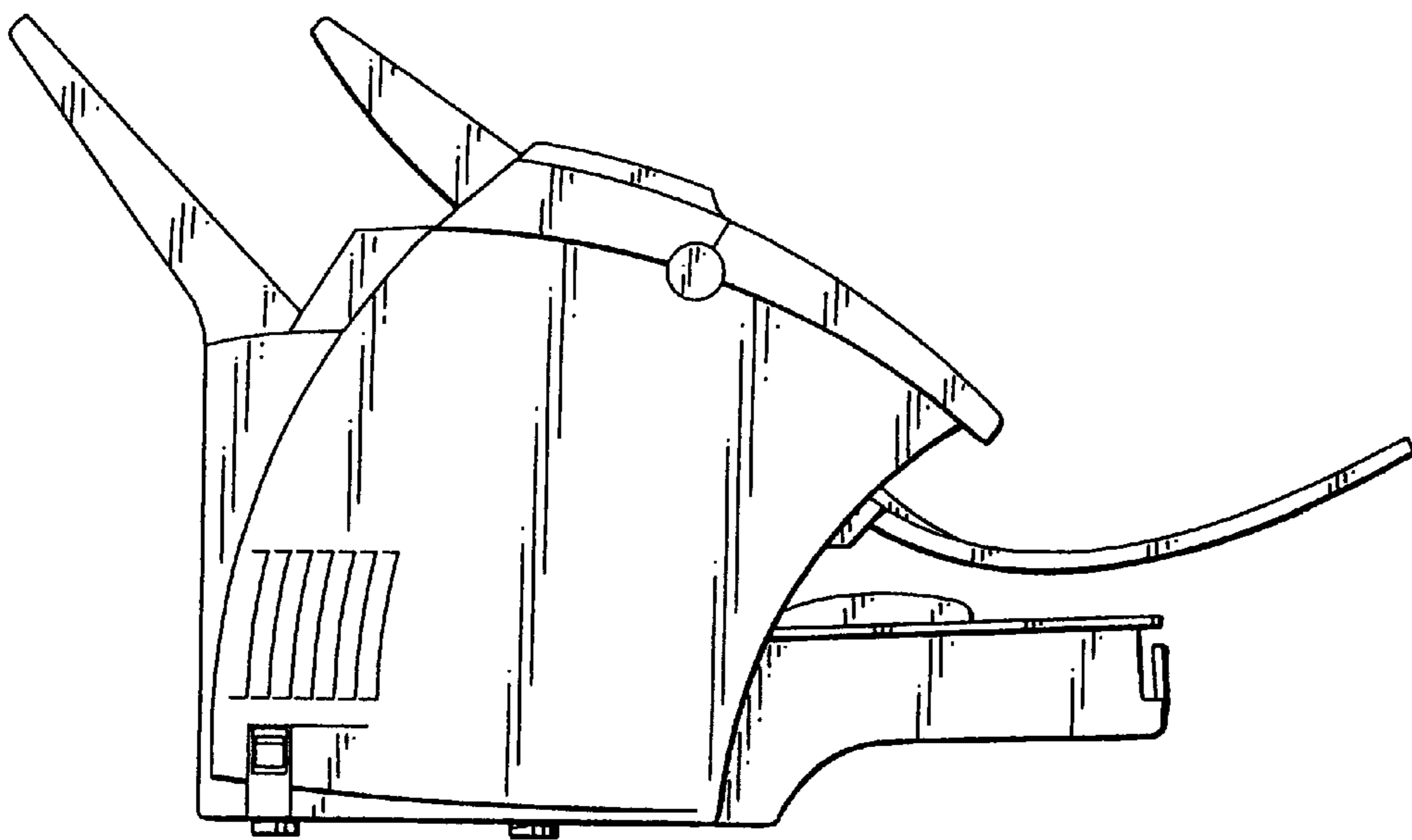


FIG. 5

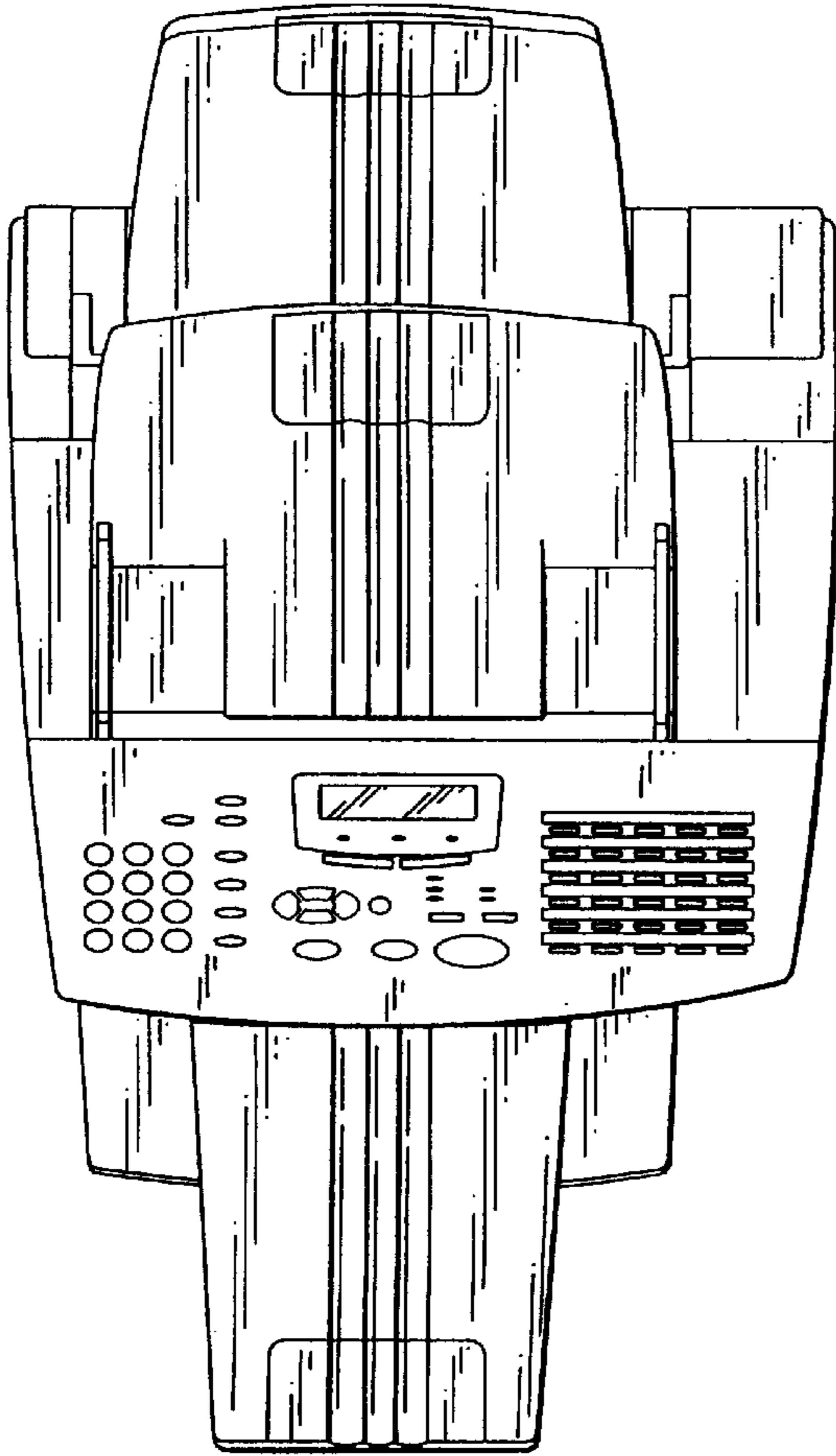


FIG. 6

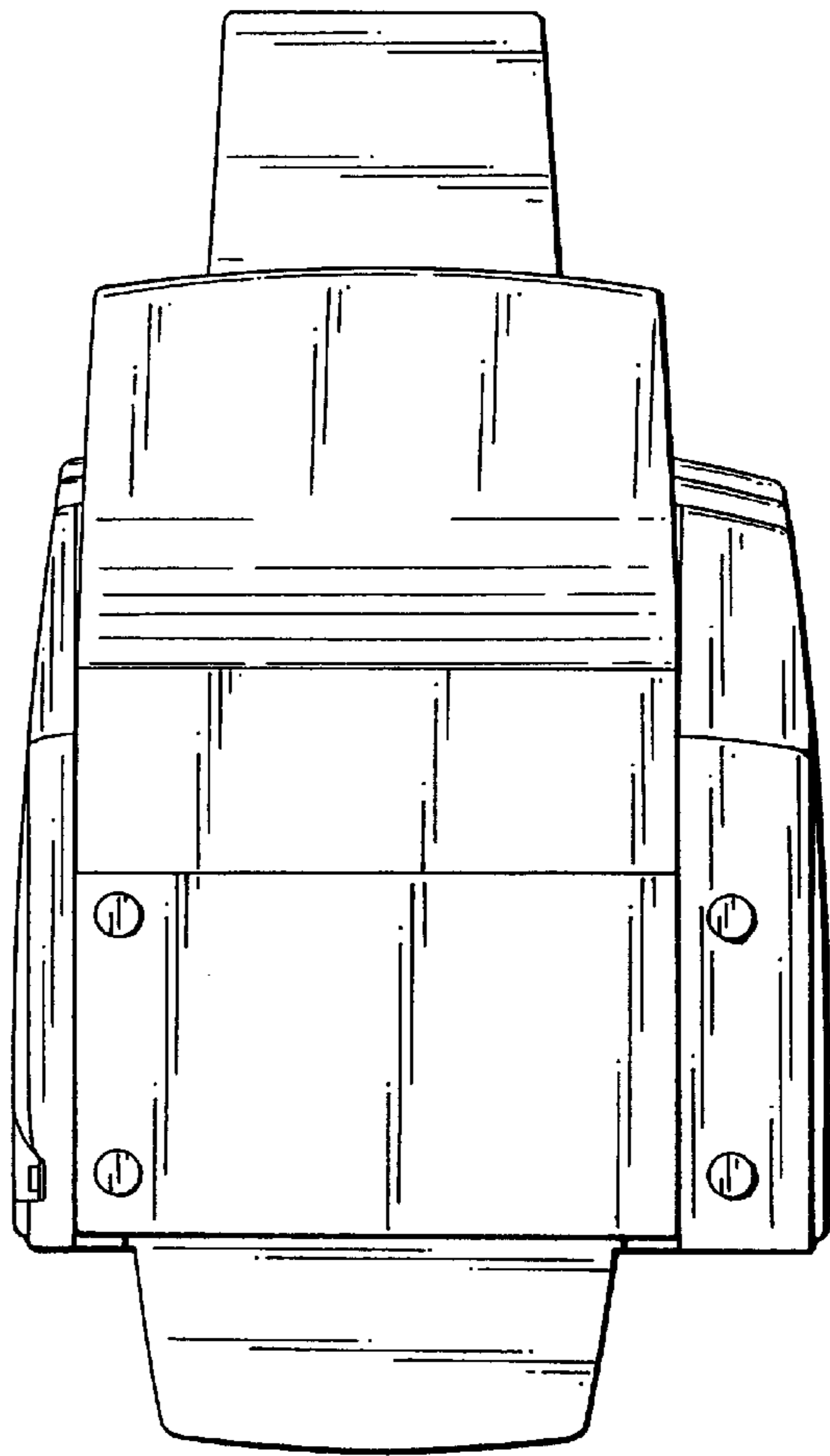


FIG. 7

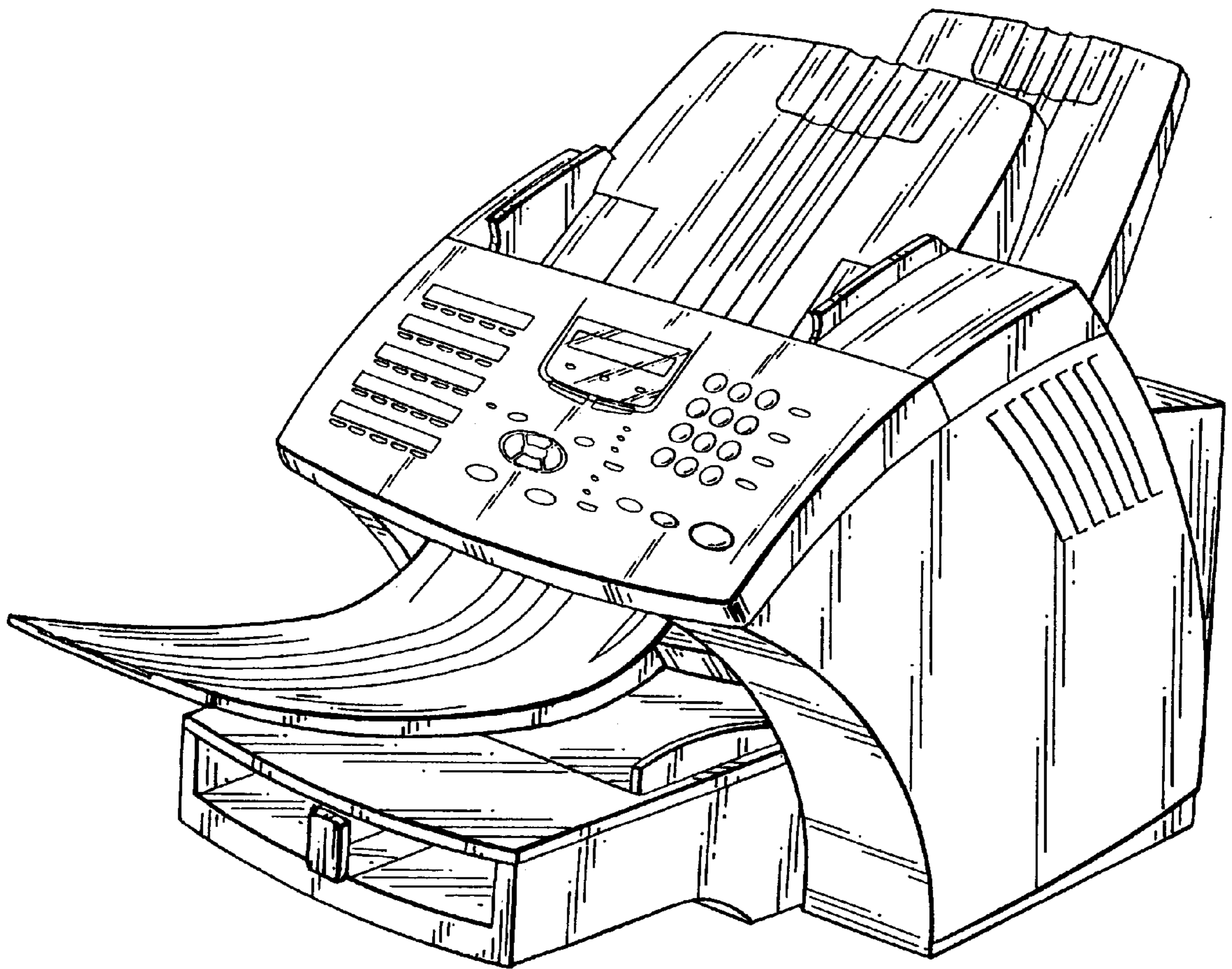


FIG.8