



US00D428603S

United States Patent [19] Sonntag

[11] **Patent Number: Des. 428,603**
[45] **Date of Patent: ** Jul. 25, 2000**

[54] **ENCLOSURE FOR ELECTRONIC AND ELECTRIC COMPONENTS**

[75] Inventor: **John-Erik Sonntag**, Tammisaari, Finland

[73] Assignee: **Fibox Oy AB**, Jorvas, Finland

[**] Term: **14 Years**

[21] Appl. No.: **29/074,361**

[22] Filed: **Aug. 1, 1997**

[30] Foreign Application Priority Data

Feb. 5, 1997 [FI] Finland 98/97
Feb. 5, 1997 [FI] Finland 99/97

[51] **LOC (7) Cl.** **13-03**

[52] **U.S. Cl.** **D13/184**

[58] **Field of Search** D13/152, 177,
D13/184; 174/35 R, 50, 52.1; 220/3.8,
4.02; 361/600

[56] References Cited

U.S. PATENT DOCUMENTS

D. 284,959 8/1986 Berg D13/184
D. 402,275 12/1998 Korhonen D13/184

5,238,133 8/1993 Cox 220/3.8

FOREIGN PATENT DOCUMENTS

978527 12/1964 United Kingdom D13/184

OTHER PUBLICATIONS

Taiwan Electronics. Apr., 1993.

Primary Examiner—Adir Aronovich
Attorney, Agent, or Firm—Finnegan, Henderson, Farabow, Garrett & Dunner, L.L.P.

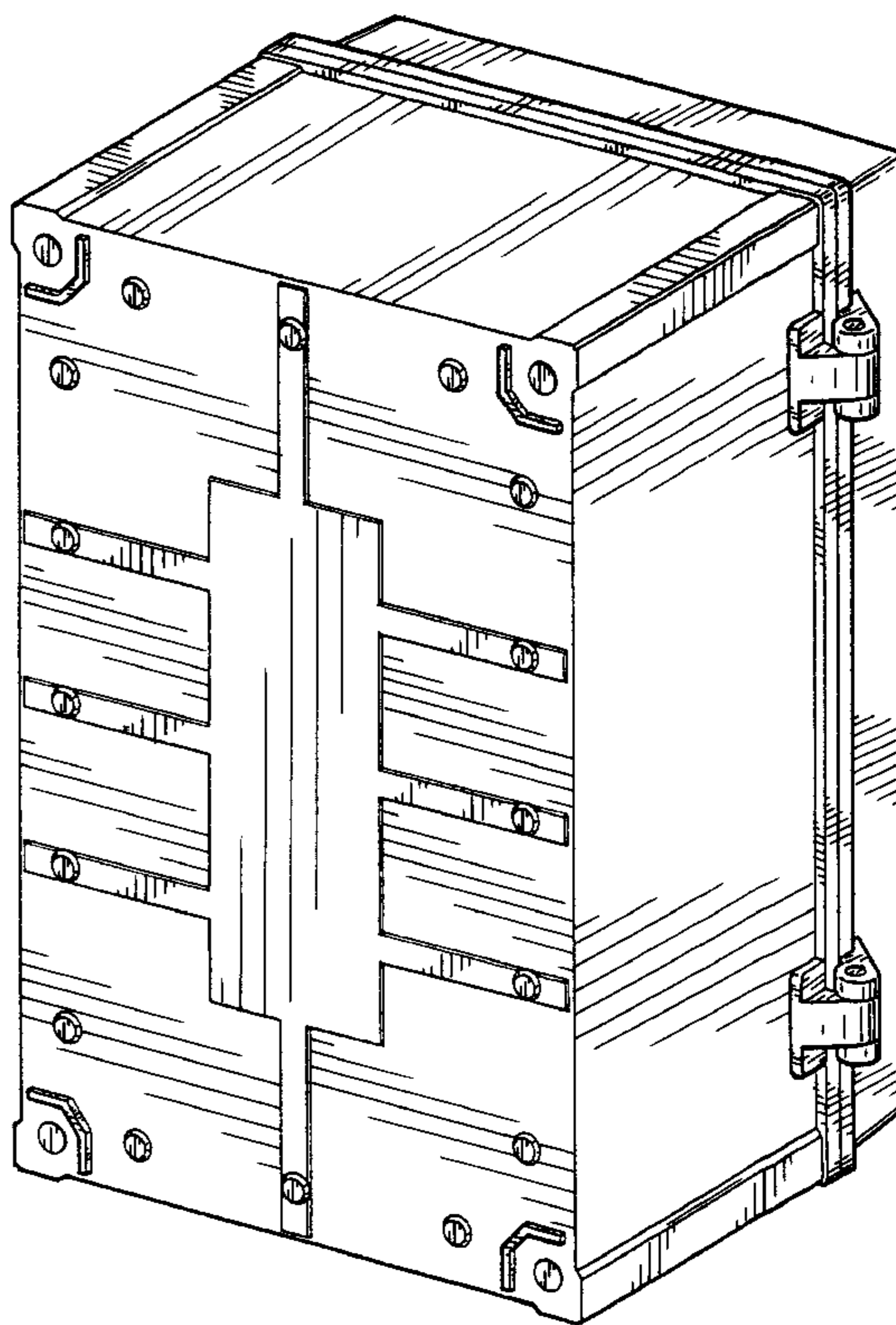
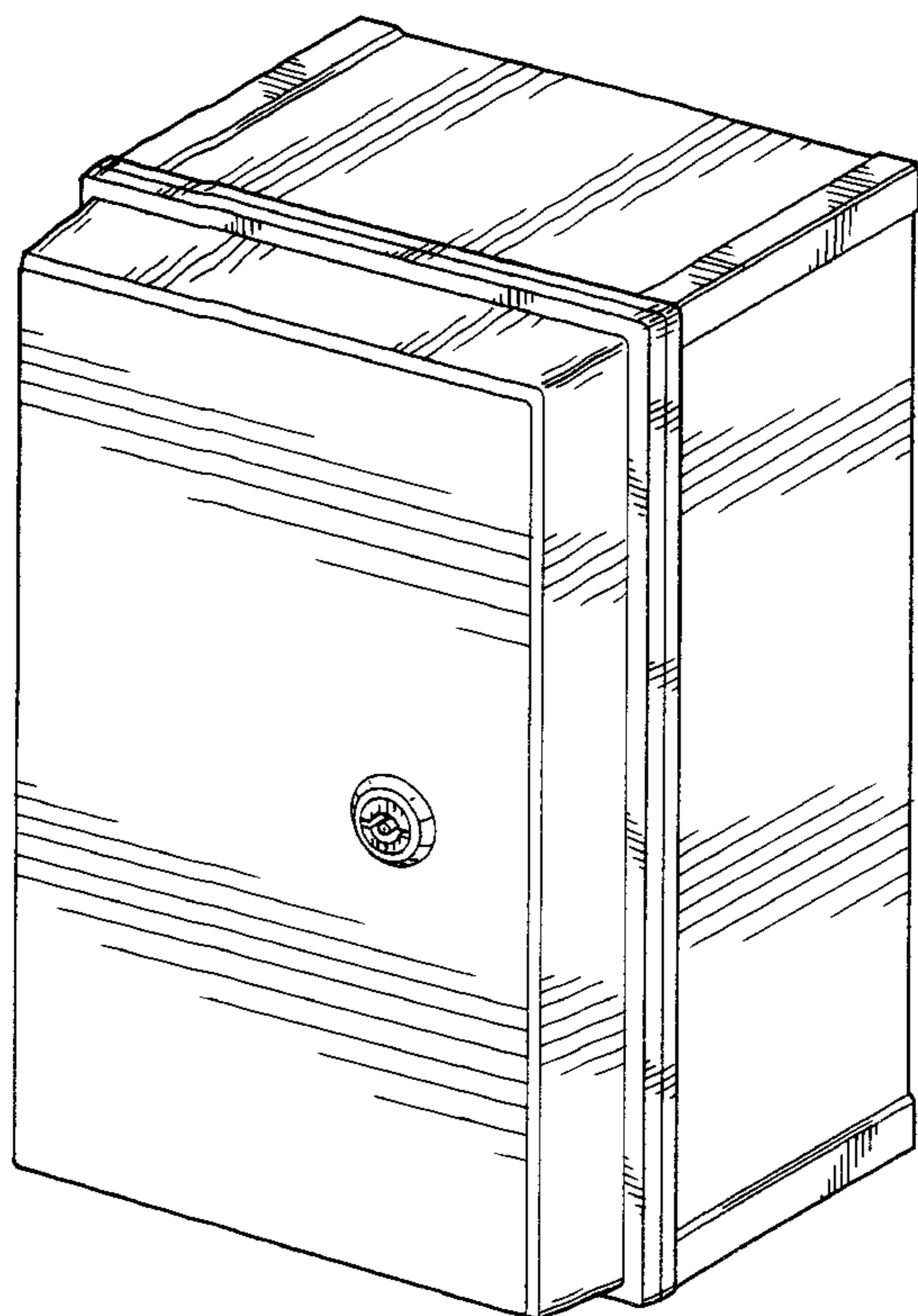
[57] CLAIM

The ornamental design for an enclosure for electronic and electric components, as shown and described.

DESCRIPTION

FIG. 1 is a perspective front view of an enclosure for electronic and electric components showing my new design; FIG. 2 is a perspective rear view thereof; FIG. 3 is a front view thereof; FIG. 4 is a rear view thereof; FIG. 5 is a right side view thereof; FIG. 6 is a left side view thereof; FIG. 7 is a top view thereof; and, FIG. 8 is a bottom view thereof.

1 Claim, 4 Drawing Sheets



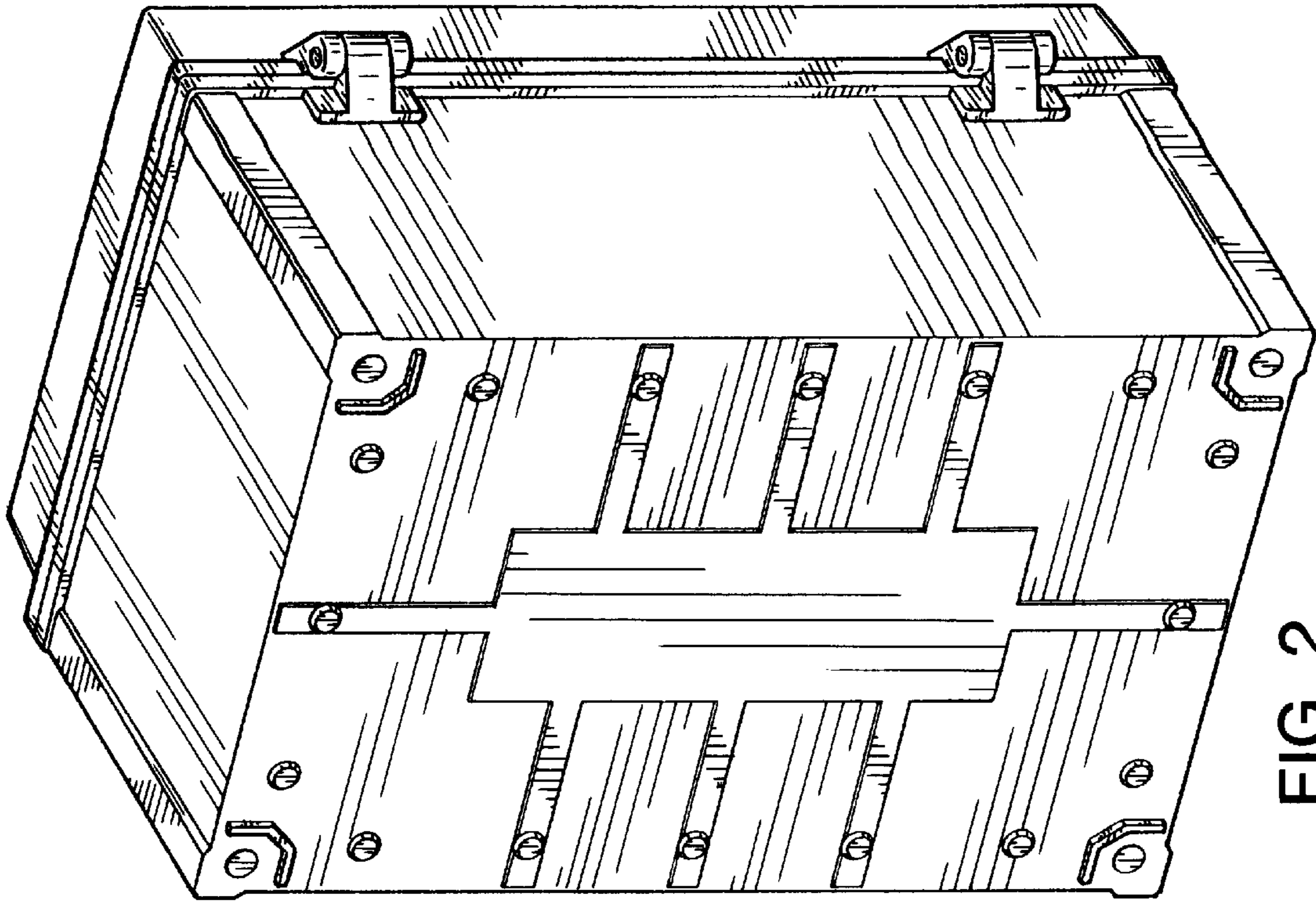


FIG. 2

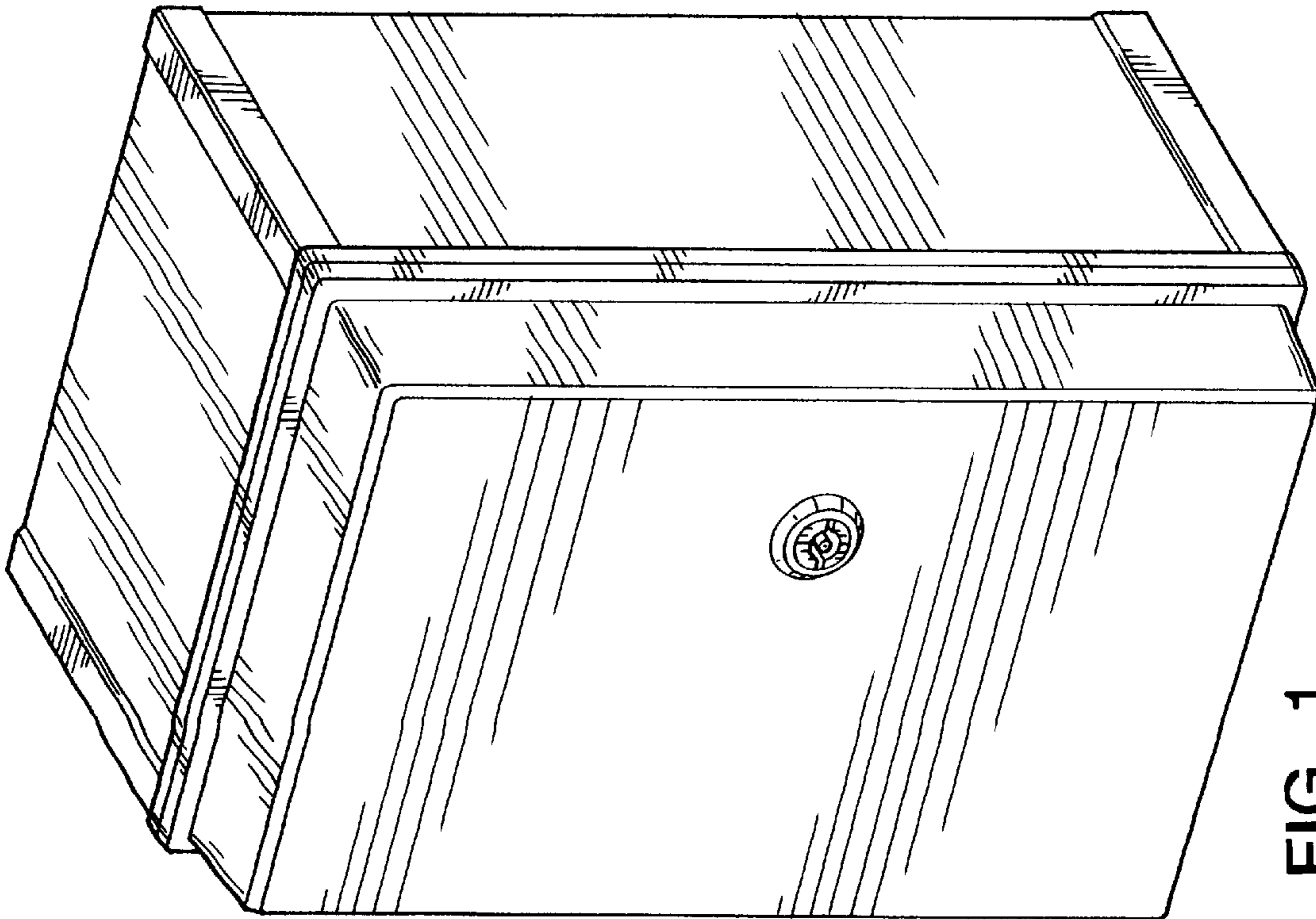


FIG. 1

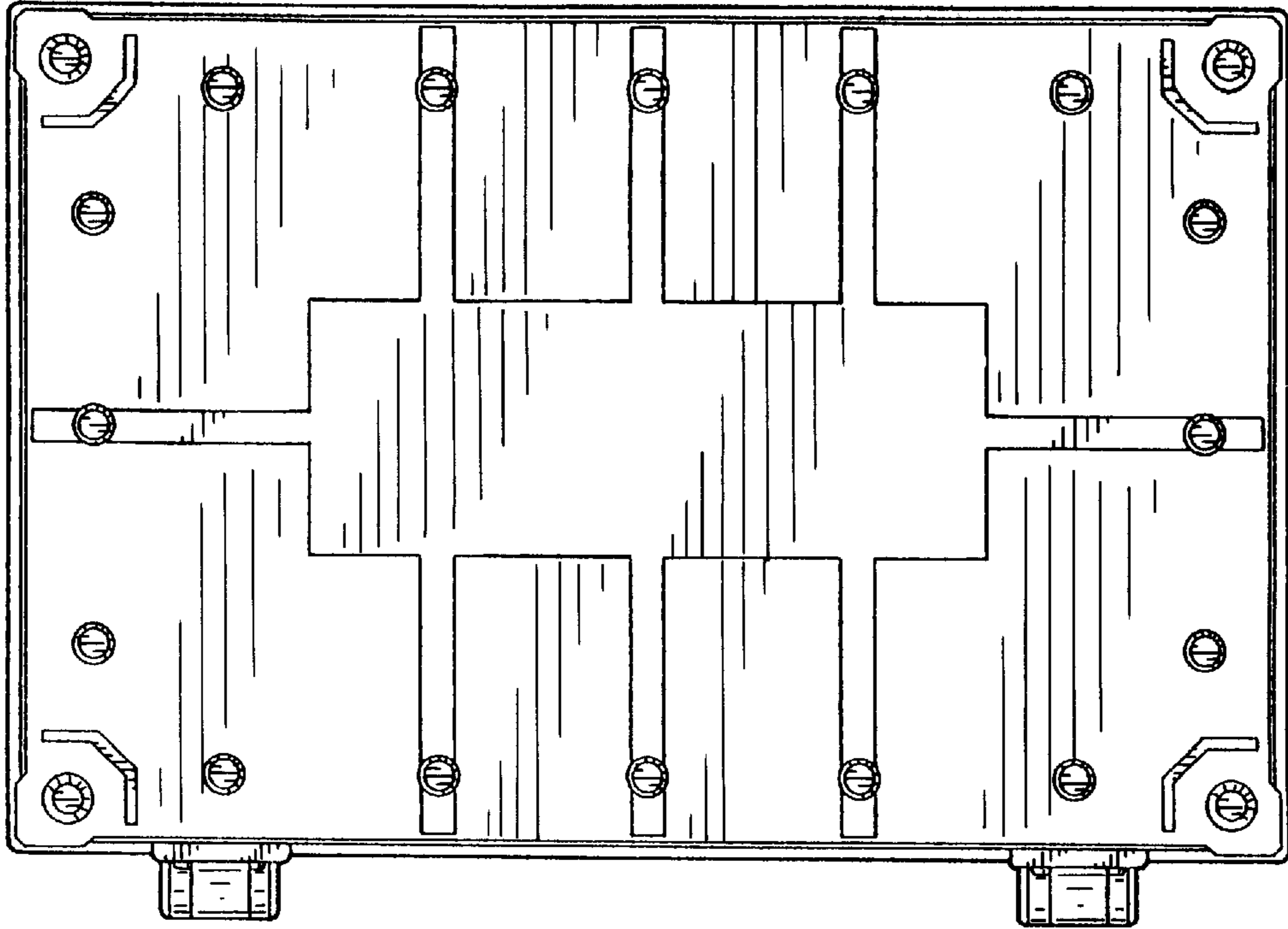


FIG. 4

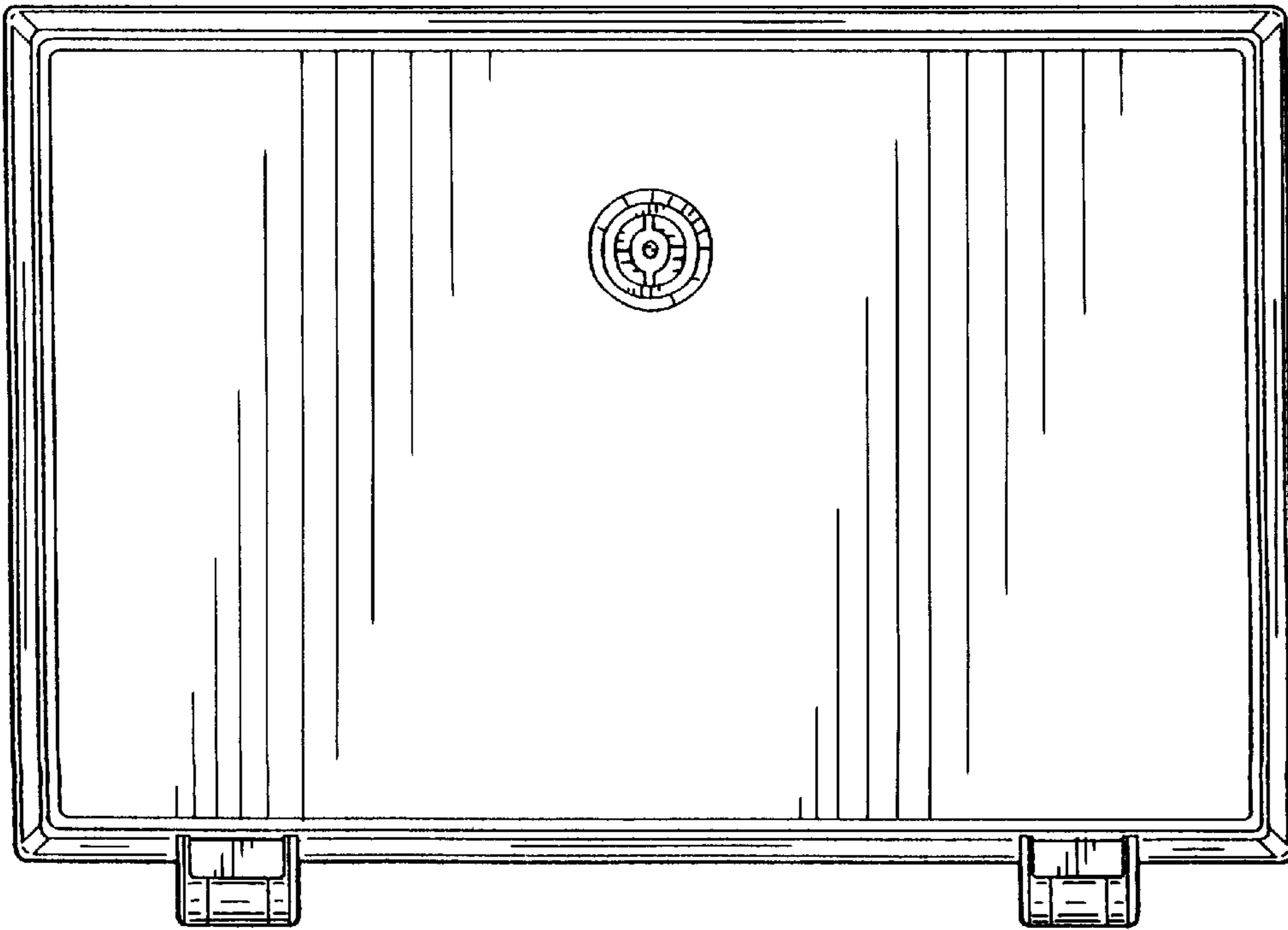


FIG. 3

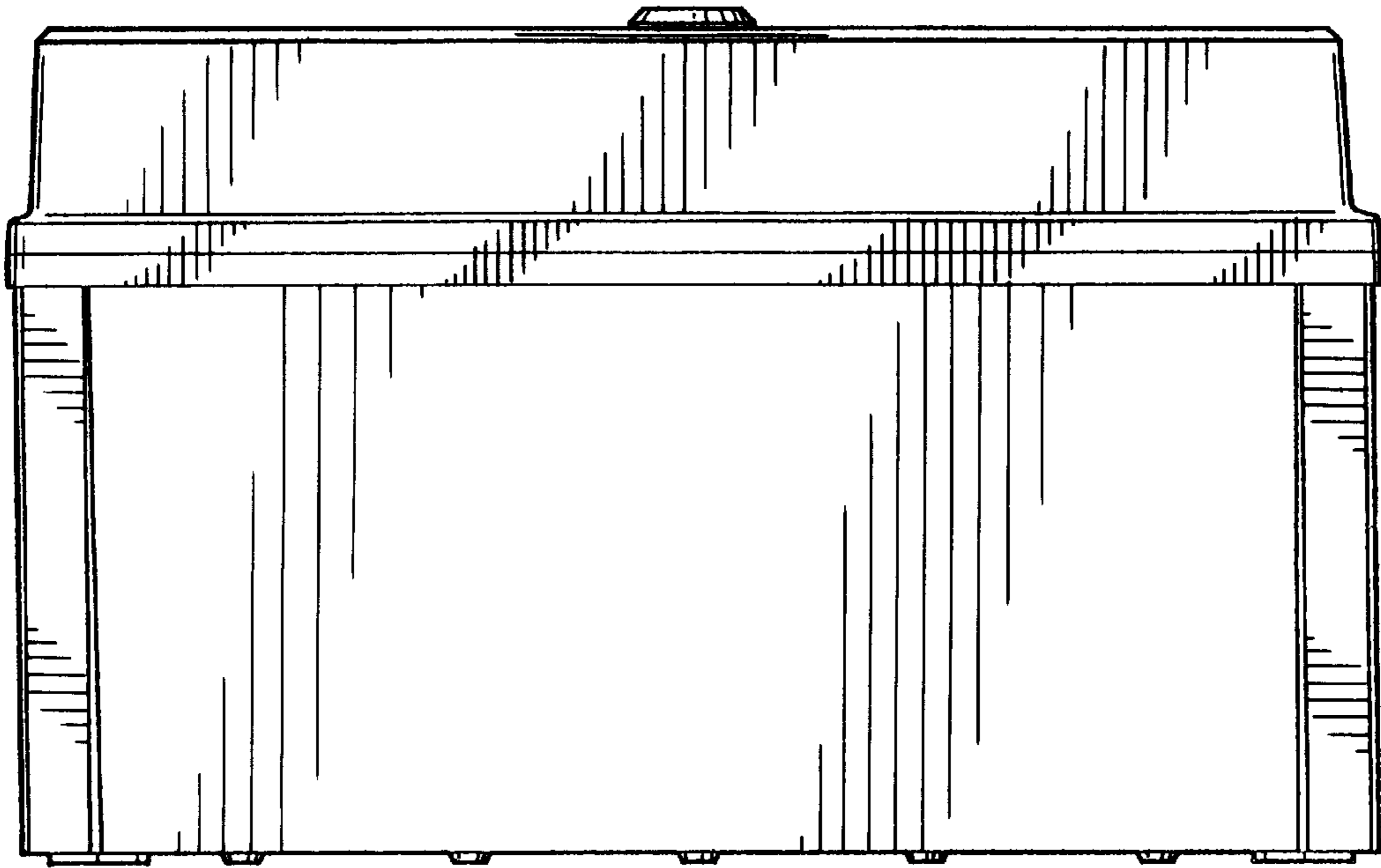


FIG. 6

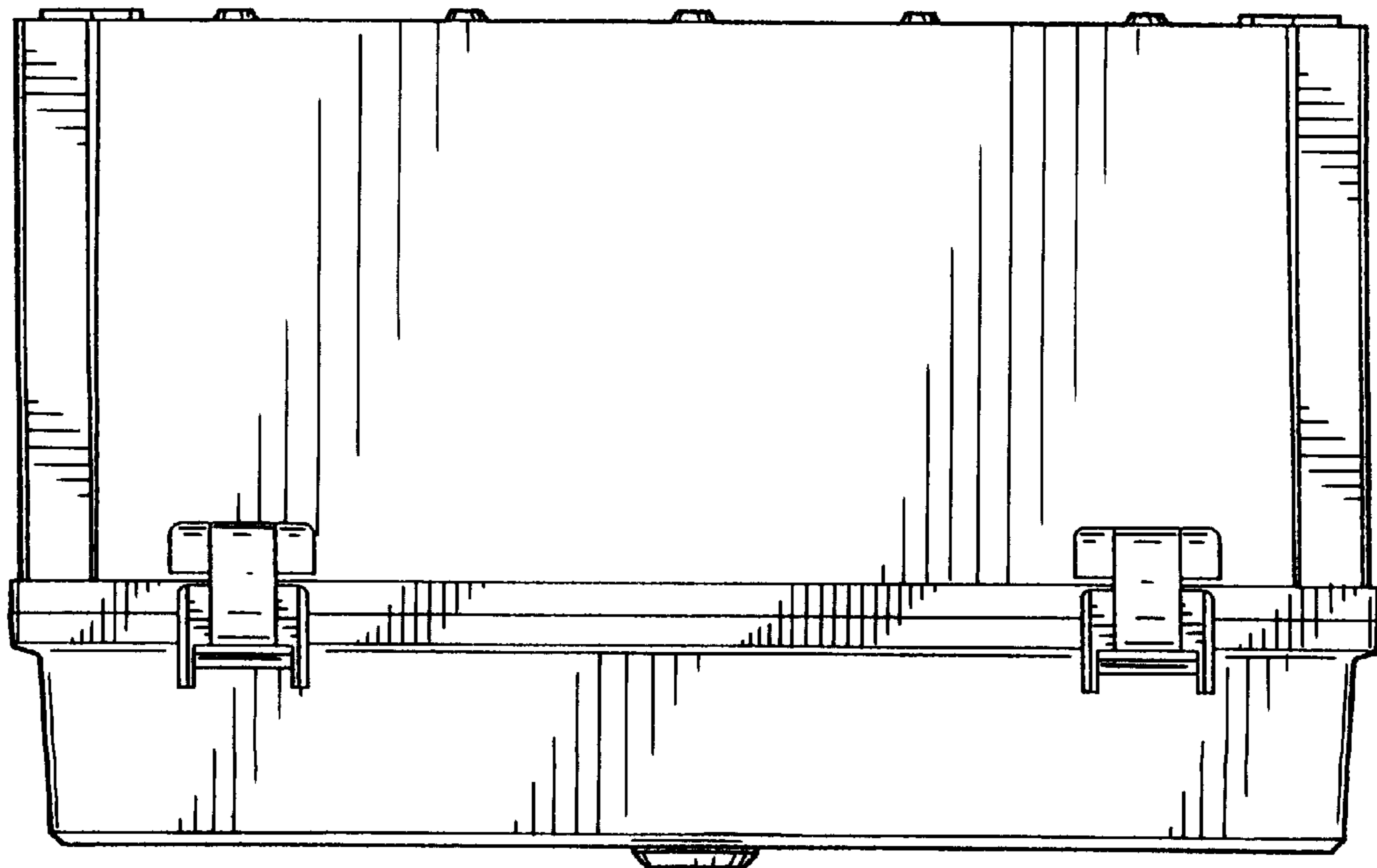


FIG. 5

FIG. 7

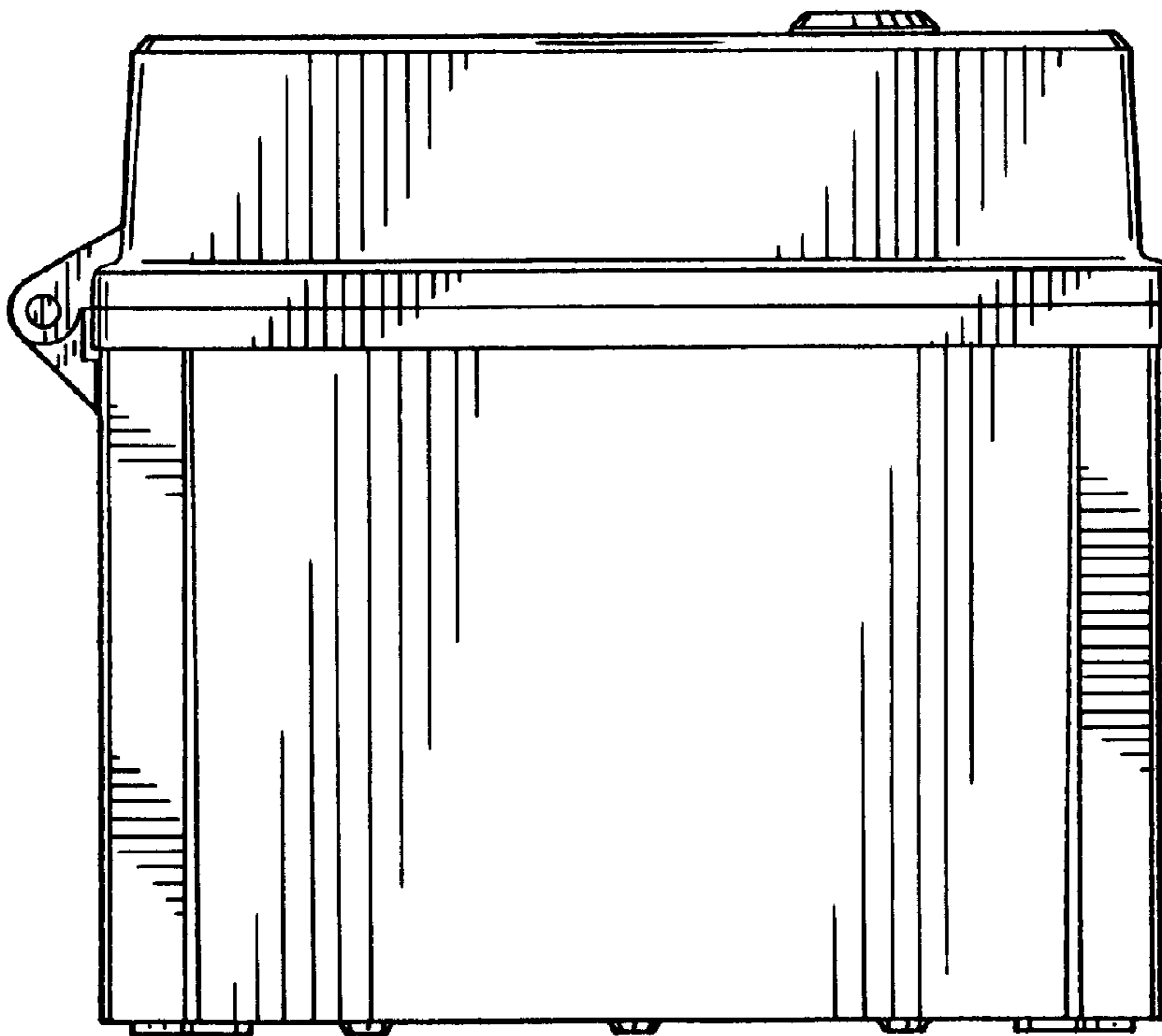
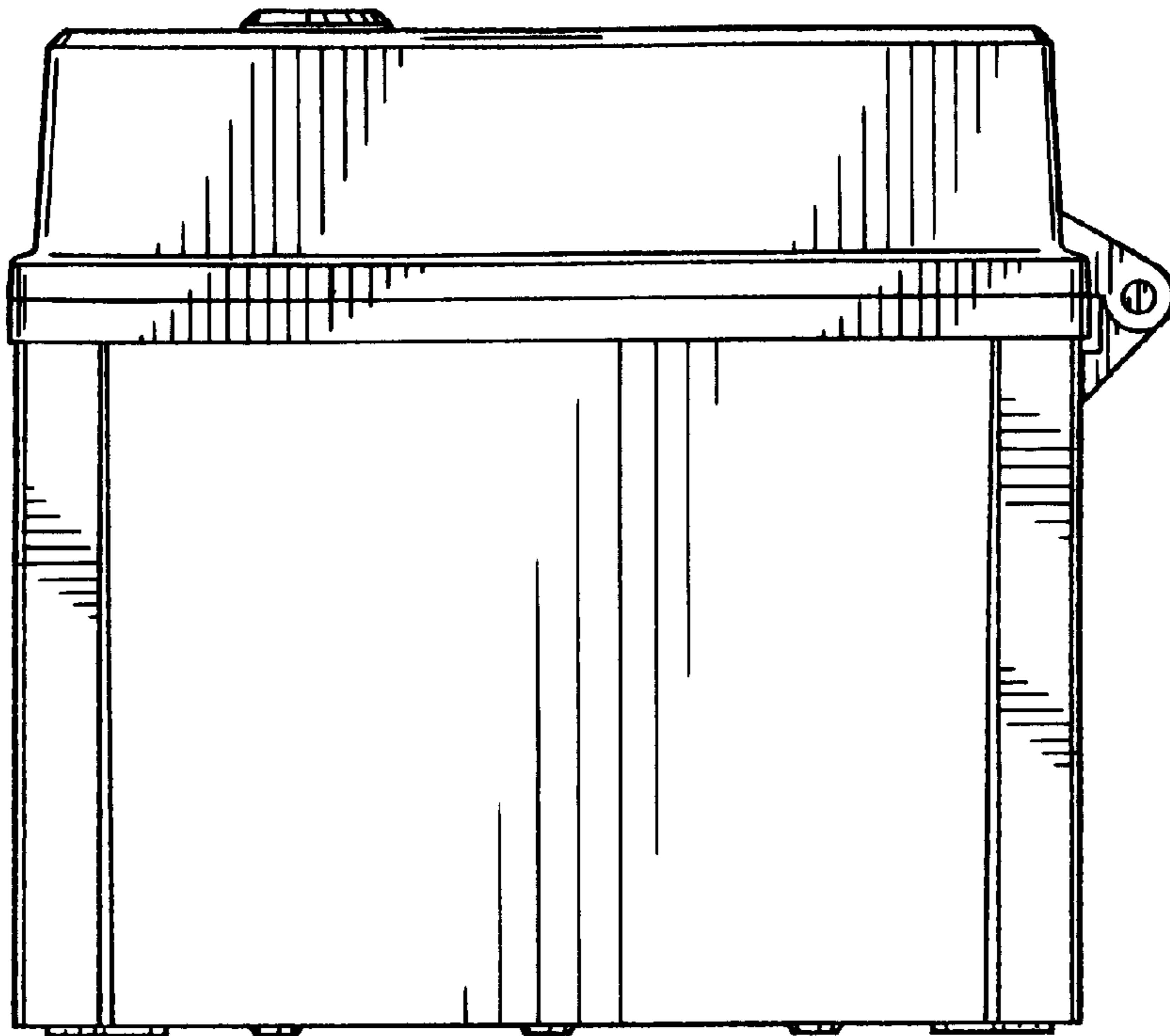


FIG. 8