



US00D428602S

**United States Patent** [19]  
**Taylor**

[11] **Patent Number: Des. 428,602**

[45] **Date of Patent: \*\* Jul. 25, 2000**

[54] **SWITCH COVER**

[75] Inventor: **John F. Taylor**, Ortonville, Mich.

[73] Assignee: **Safety Technology International, Inc.**,  
Waterford, Mich.

[\*\*] Term: **14 Years**

[21] Appl. No.: **29/093,752**

[22] Filed: **Sep. 17, 1998**

[51] **LOC (7) Cl.** ..... **13-03**

[52] **U.S. Cl.** ..... **D13/177; D13/156**

[58] **Field of Search** ..... **D13/156, 158,**  
**D13/177; 174/66, 67; 220/241, 242; 200/43.16,**  
**43.18, 43.19, 333**

[56] **References Cited**

**U.S. PATENT DOCUMENTS**

D. 324,816	3/1992	LeDuc	.....	D13/177
D. 342,523	12/1993	Morgan et al.	.....	D13/156
D. 379,176	5/1997	Chambers et al.	.....	D13/156
D. 411,826	7/1999	Lamar et al.	.....	D13/156
4,713,509	12/1987	Chebowski	.....	200/333

*Primary Examiner*—Adir Aronovich  
*Attorney, Agent, or Firm*—Gifford, Krass, Groh, Sprinkle,  
Anderson & Citkowski, P.C.

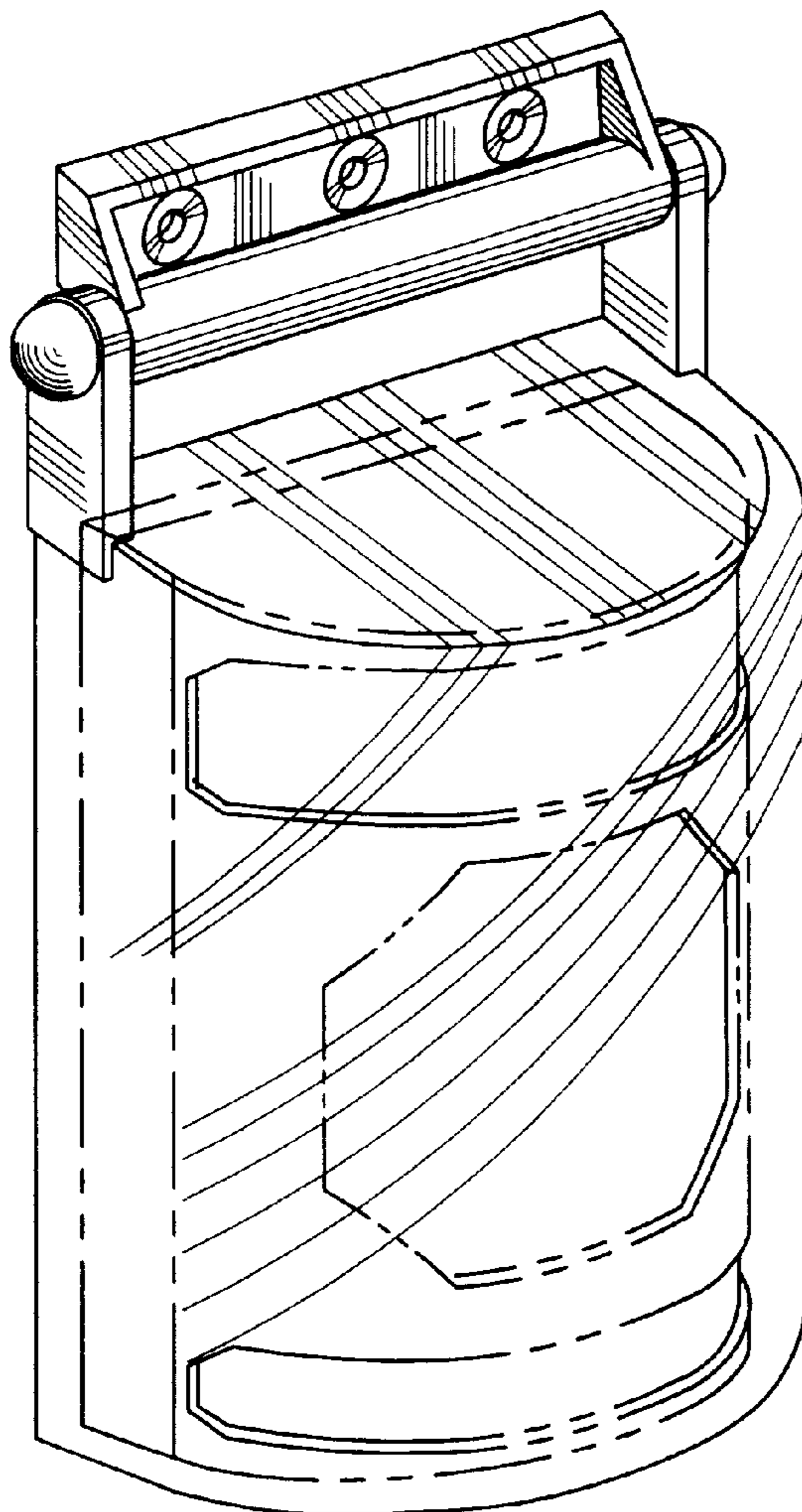
[57] **CLAIM**

The ornamental design for a switch cover, as shown and described.

**DESCRIPTION**

FIG. 1 is a perspective view of a switch cover showing my new design, the broken lines are shown to illustrate the environment only and form no part of the claimed design. FIG. 2 is a front elevational view of the design shown in FIG. 1; FIG. 3 is a side elevational view as seen from the left side of FIG. 1; FIG. 4 is a top elevational view of the design shown in FIG. 1; FIG. 5 is a rear elevational view of the design shown in FIG. 1; and, FIG. 6 is a bottom elevational view of the design shown in FIG. 1.

**1 Claim, 2 Drawing Sheets**



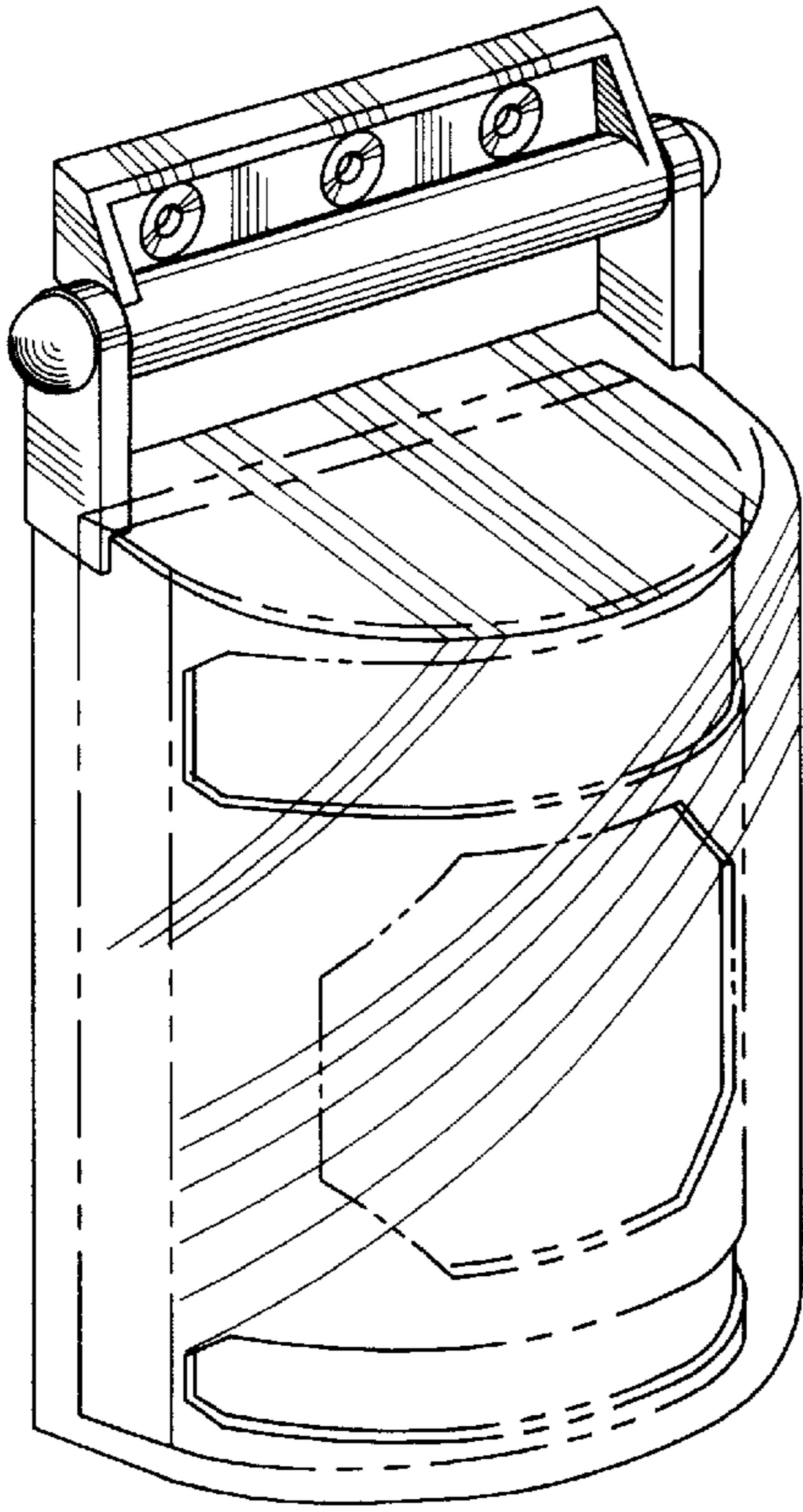


Fig-1

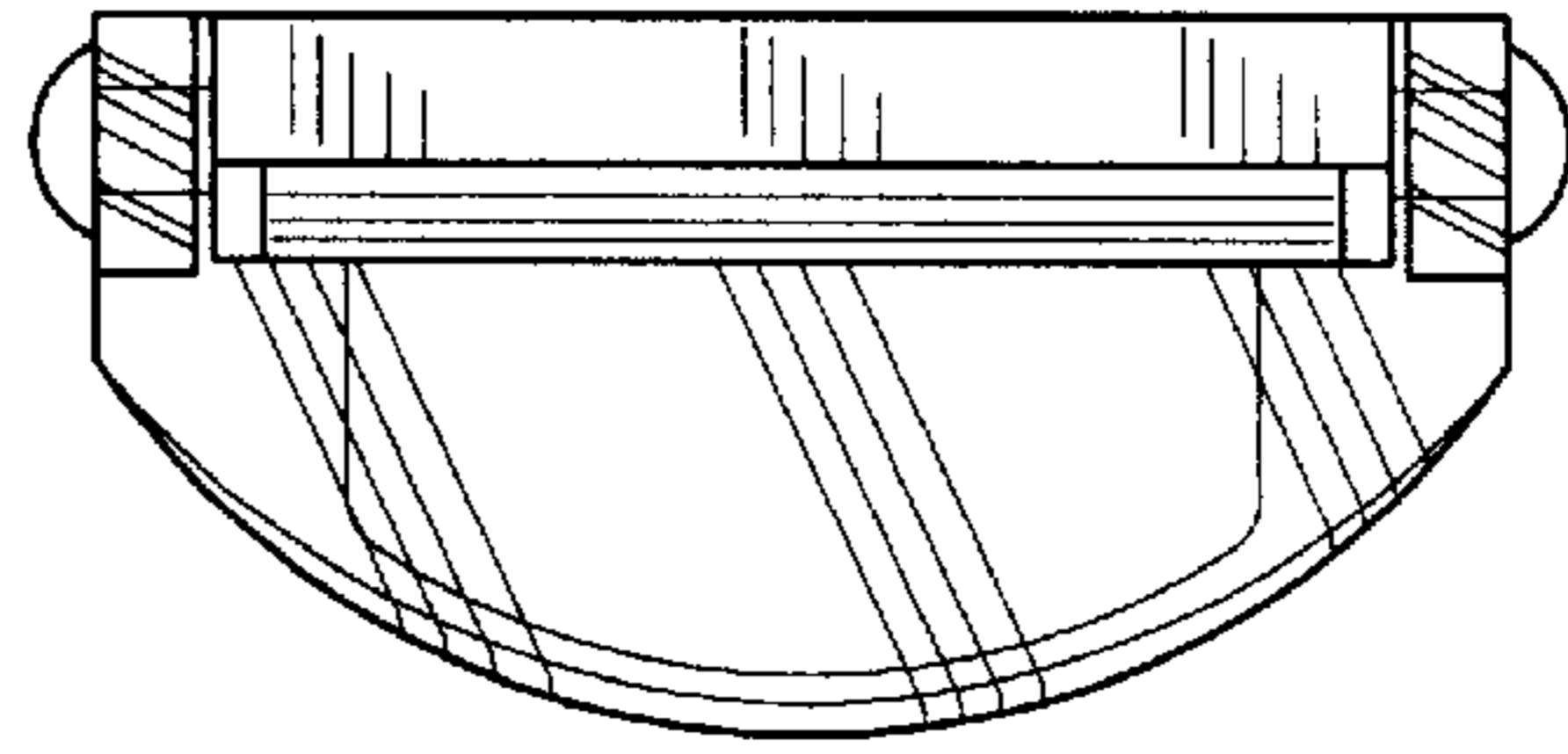


Fig-4

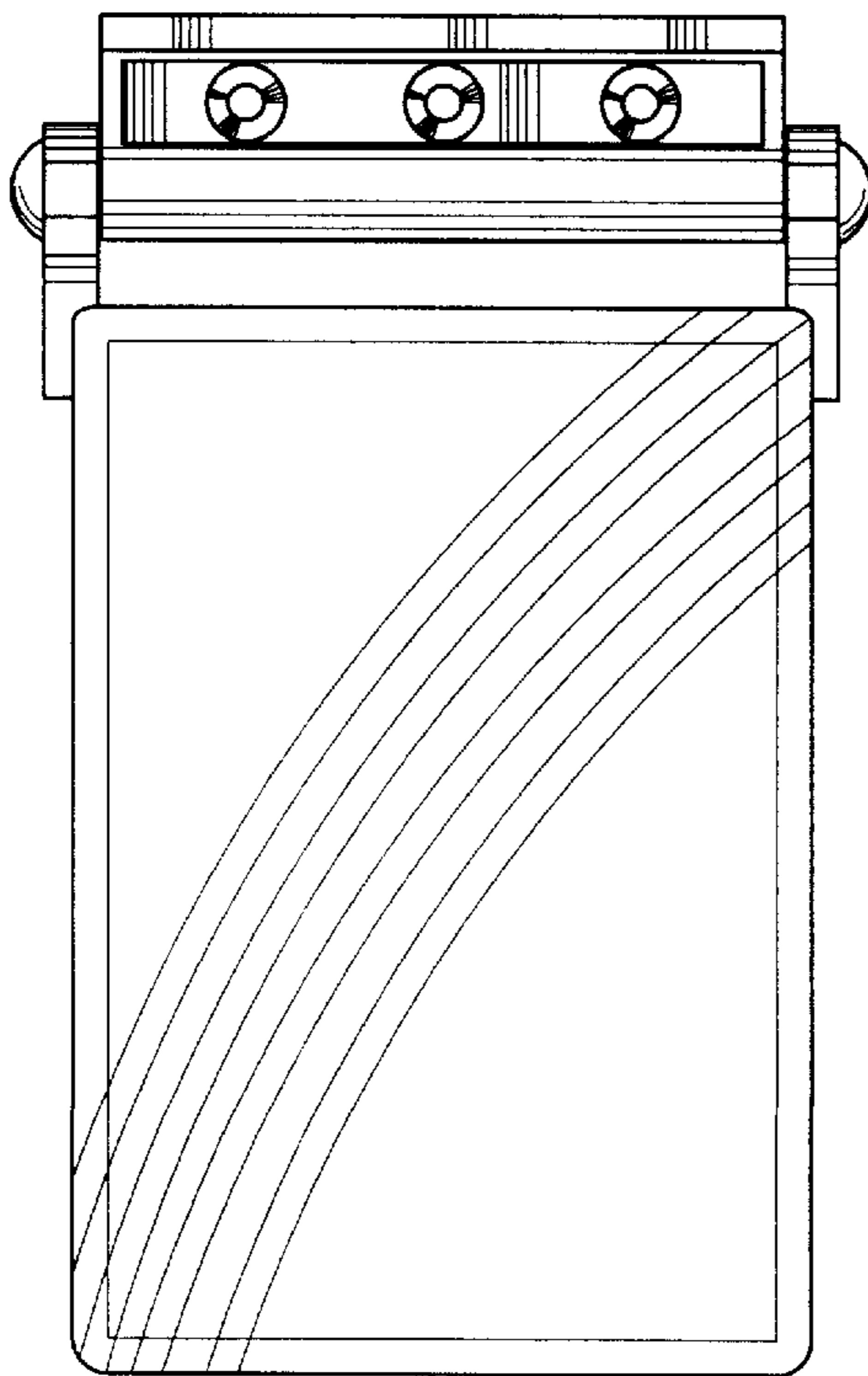


Fig-2

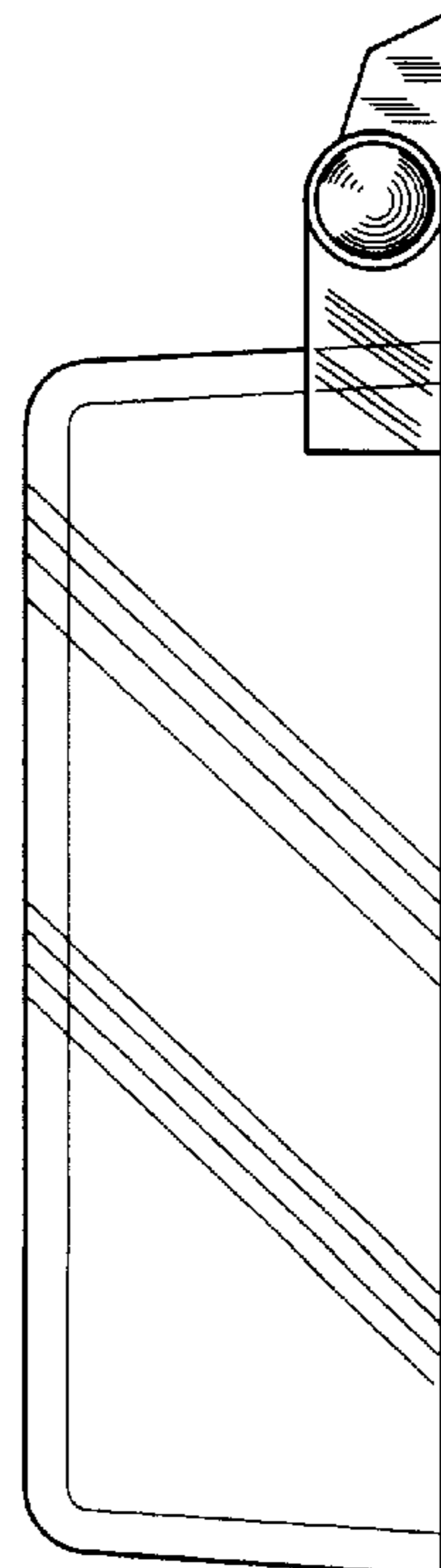


Fig-3

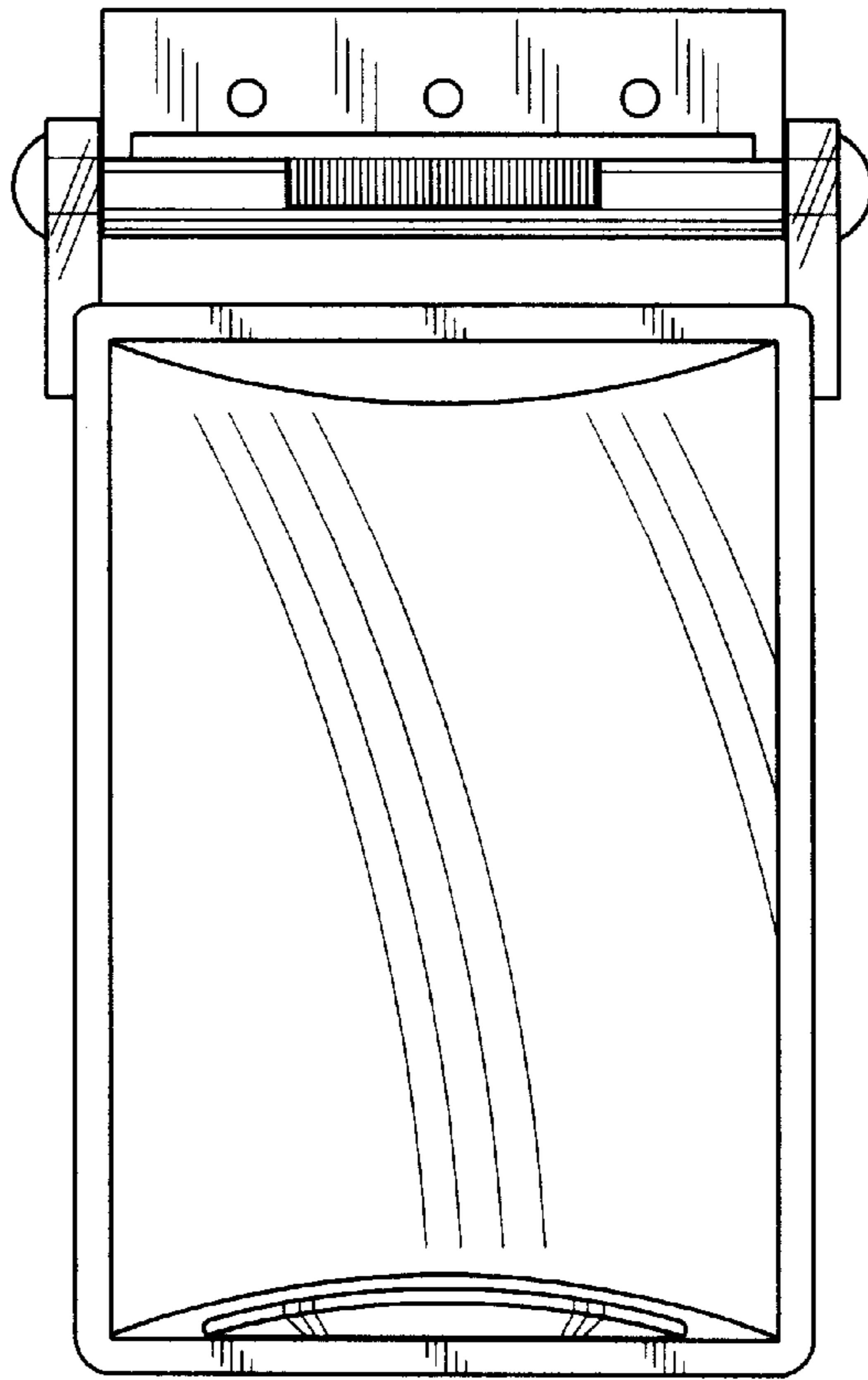


Fig-5

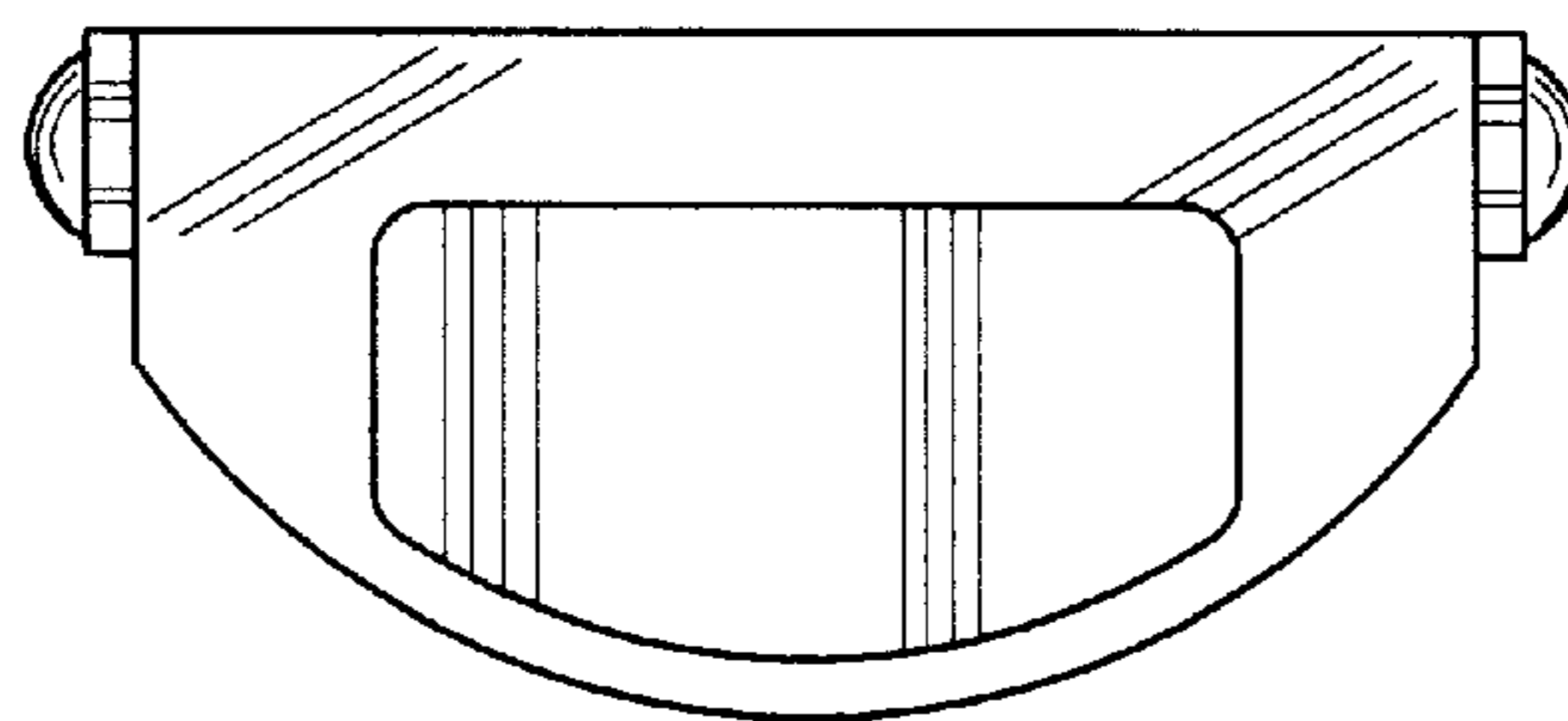


Fig-6