



US00D428601S

United States Patent [19]

Bianco, Sr.

[11] Patent Number: Des. 428,601

[45] Date of Patent: ** Jul. 25, 2000

[54] LOCKOUT CAP FOR A PANEL-MOUNTED SWITCH HAVING A THREADED COLLAR

3,527,914 9/1970 Spacek .
3,746,818 7/1973 Bertelotti .
4,943,695 7/1990 Valis .

[76] Inventor: Thomas A. Bianco, Sr., P.O. Box 784, Wallingford, Conn. 06492

Primary Examiner—Brian N. Vinson
Attorney, Agent, or Firm—Norman Rainer

[**] Term: 14 Years

[57] CLAIM

[21] Appl. No.: 29/102,594

The ornamental design for a lockout cap for a panel-mounted switch having a threaded collar, as shown and described.

[22] Filed: Mar. 25, 1999

[51] LOC (7) Cl. 13-03

[52] U.S. Cl. D13/173

[58] Field of Search D13/173; 200/333, 200/334, 345

DESCRIPTION

FIG. 1 is an exploded perspective view of a lockout cap for a panel-mounted switch having a threaded collar showing my new design;

FIG. 2 is an exploded side view thereof, shown in operative association with a panel-mounted switch having a threaded collar and depicted in phantom outline as being not a part of this invention;

FIG. 3 is an assembled side view thereof;

FIG. 4 is a vertical sectional view thereof;

FIG. 5 is a front view thereof; and,

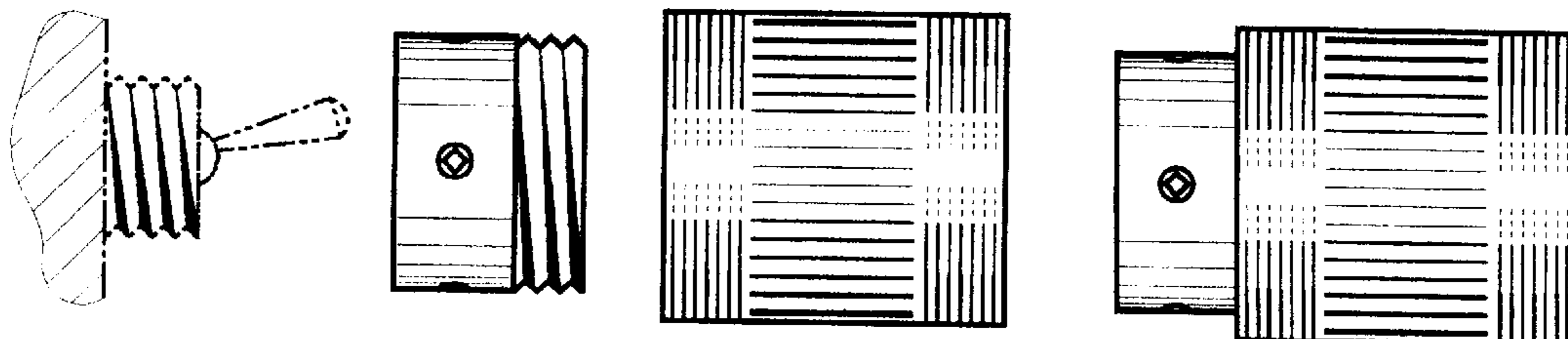
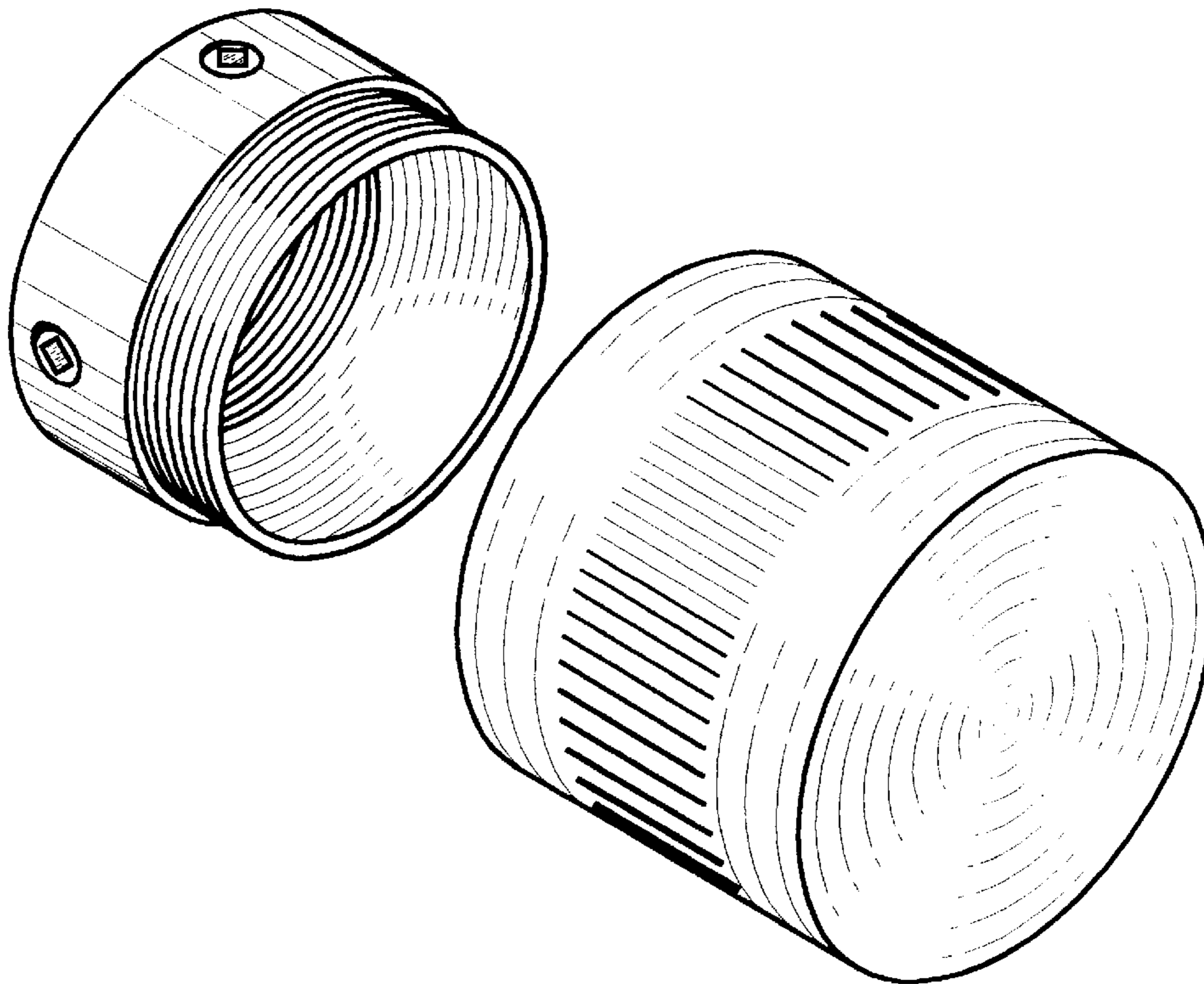
FIG. 6 is a rear view thereof.

[56] References Cited

U.S. PATENT DOCUMENTS

D. 260,232	8/1981	Simons .	
D. 314,556	2/1991	Aggson .	
D. 353,580	12/1994	Woehler	D13/173
D. 372,224	7/1996	Larned et al.	D13/173
2,348,393	5/1944	Krzieger .	
2,813,938	11/1957	Speizman .	
2,824,915	2/1958	Buturuga .	

1 Claim, 1 Drawing Sheet



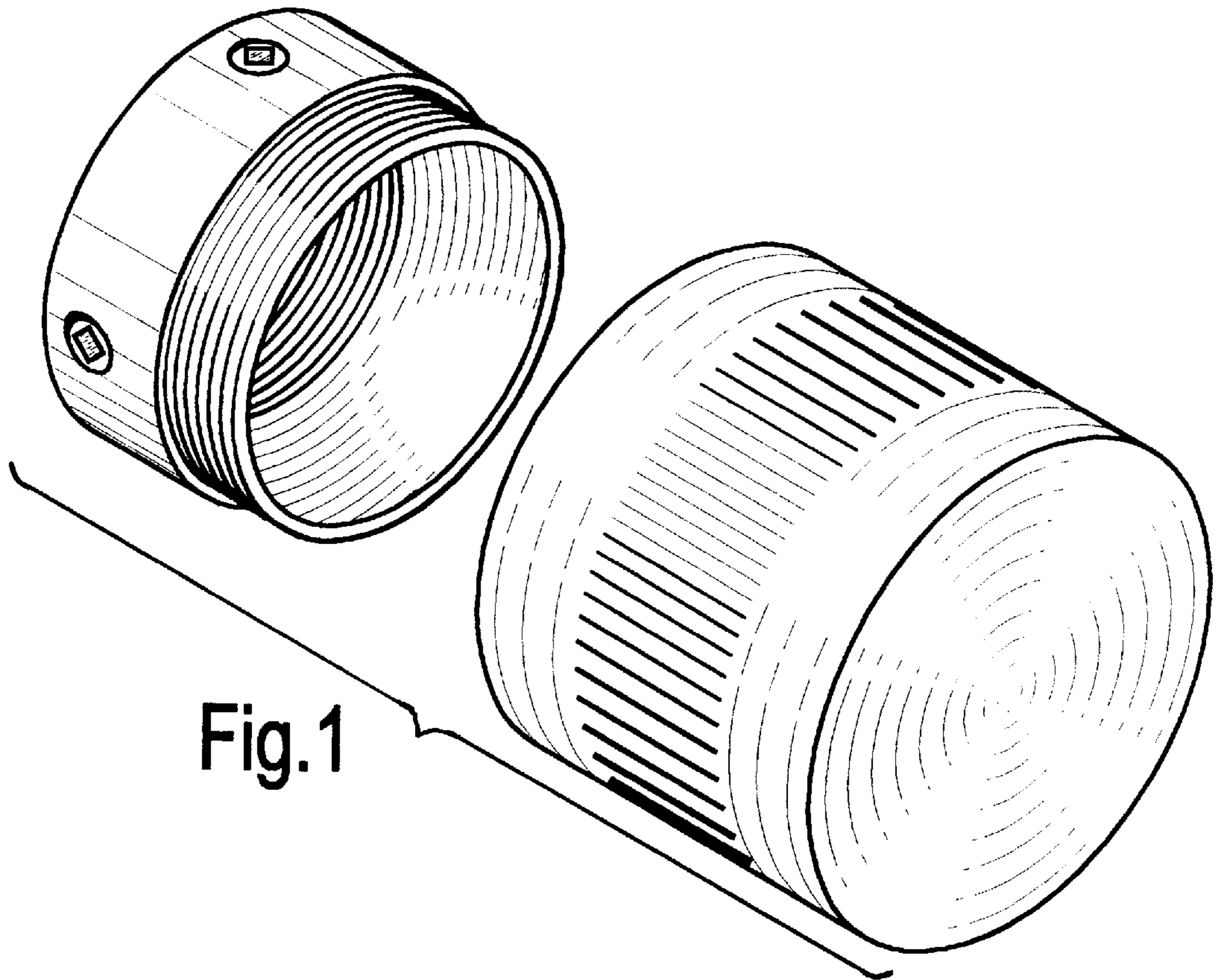


Fig.1

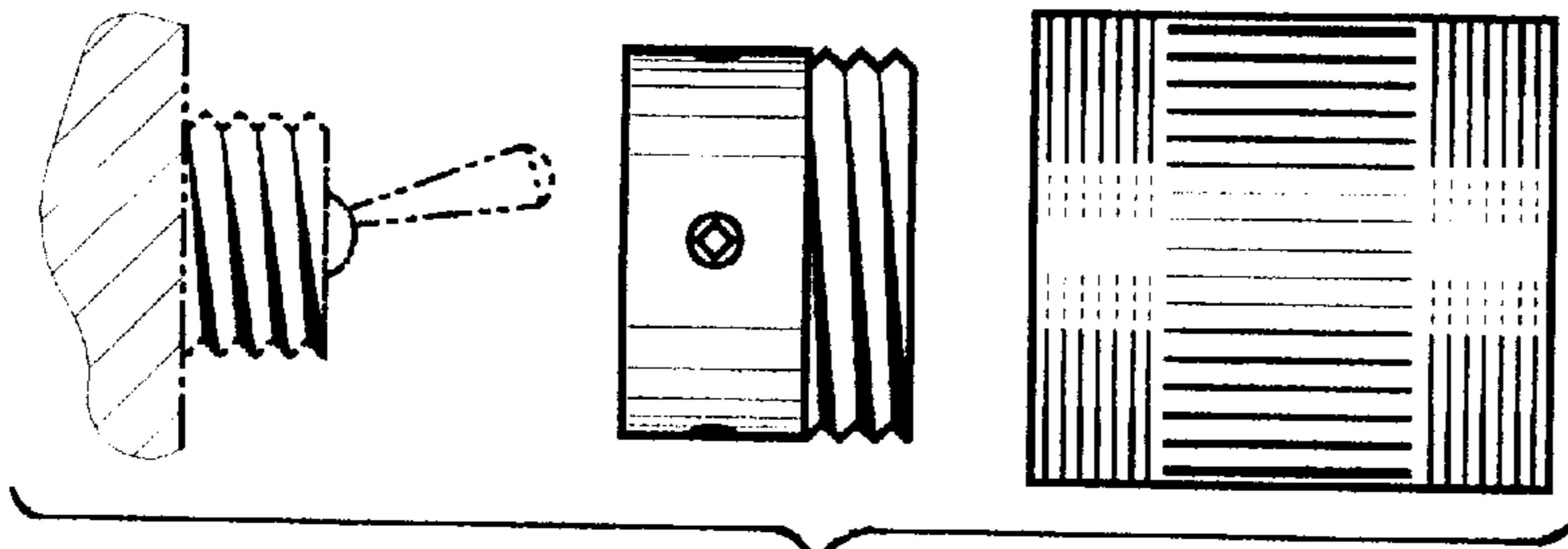


Fig.2

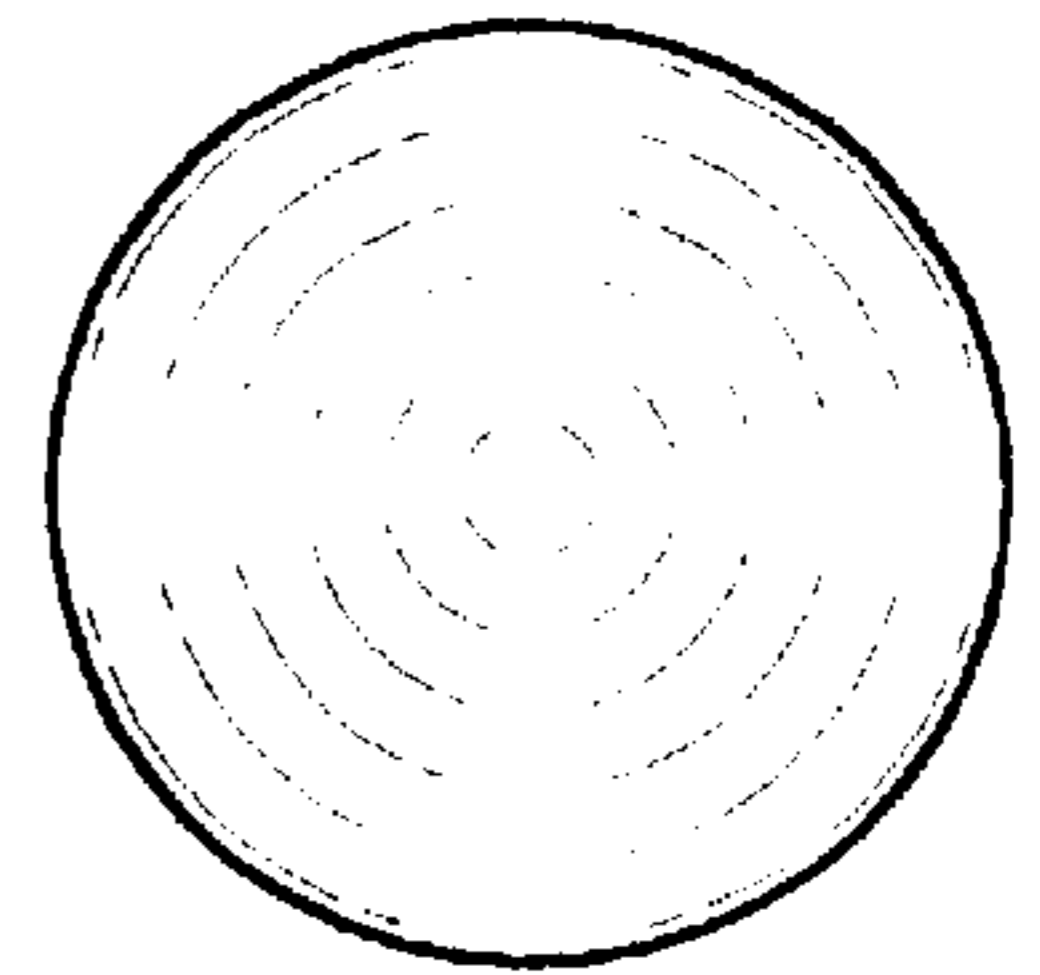


Fig.5

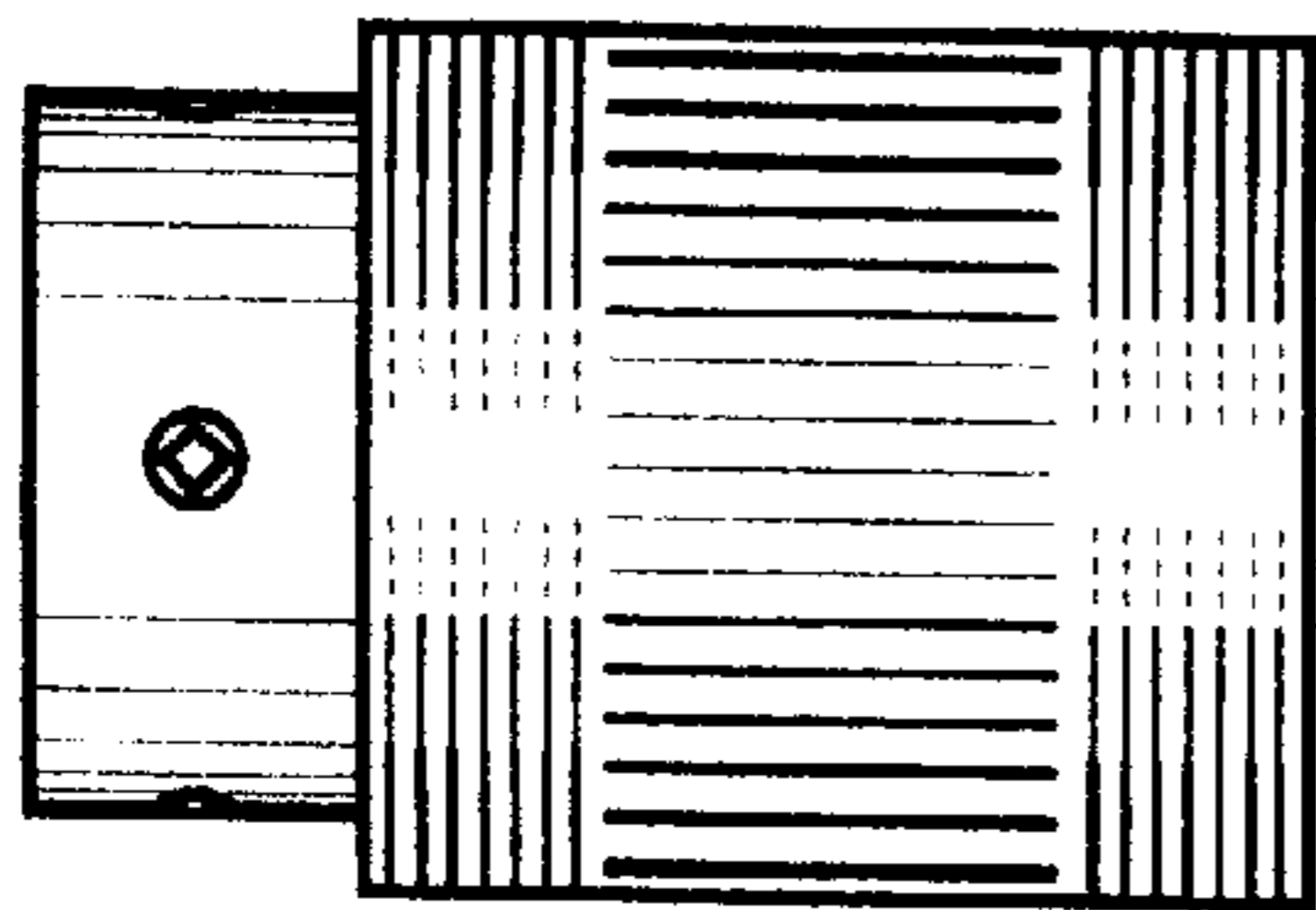


Fig.3

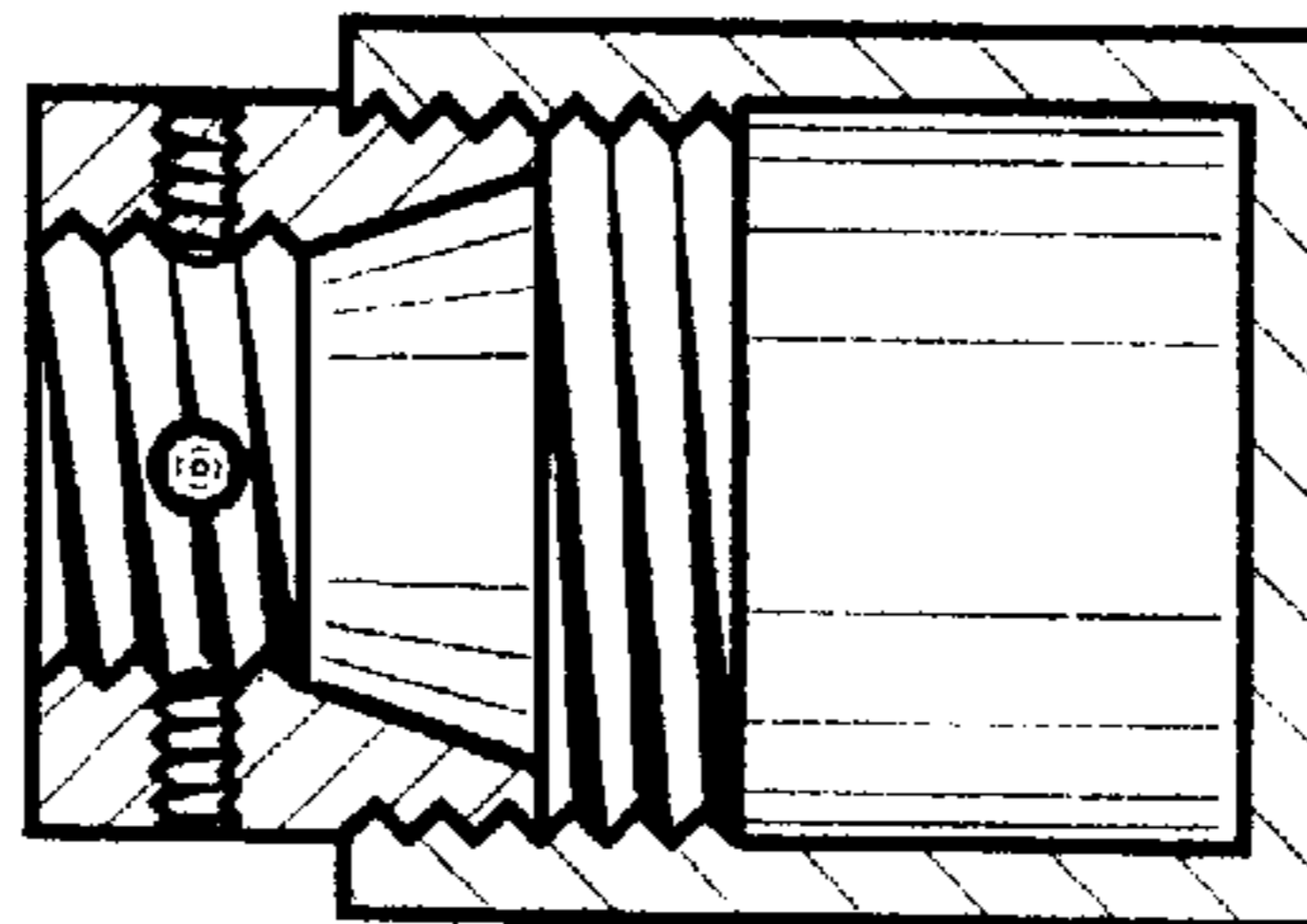


Fig.4

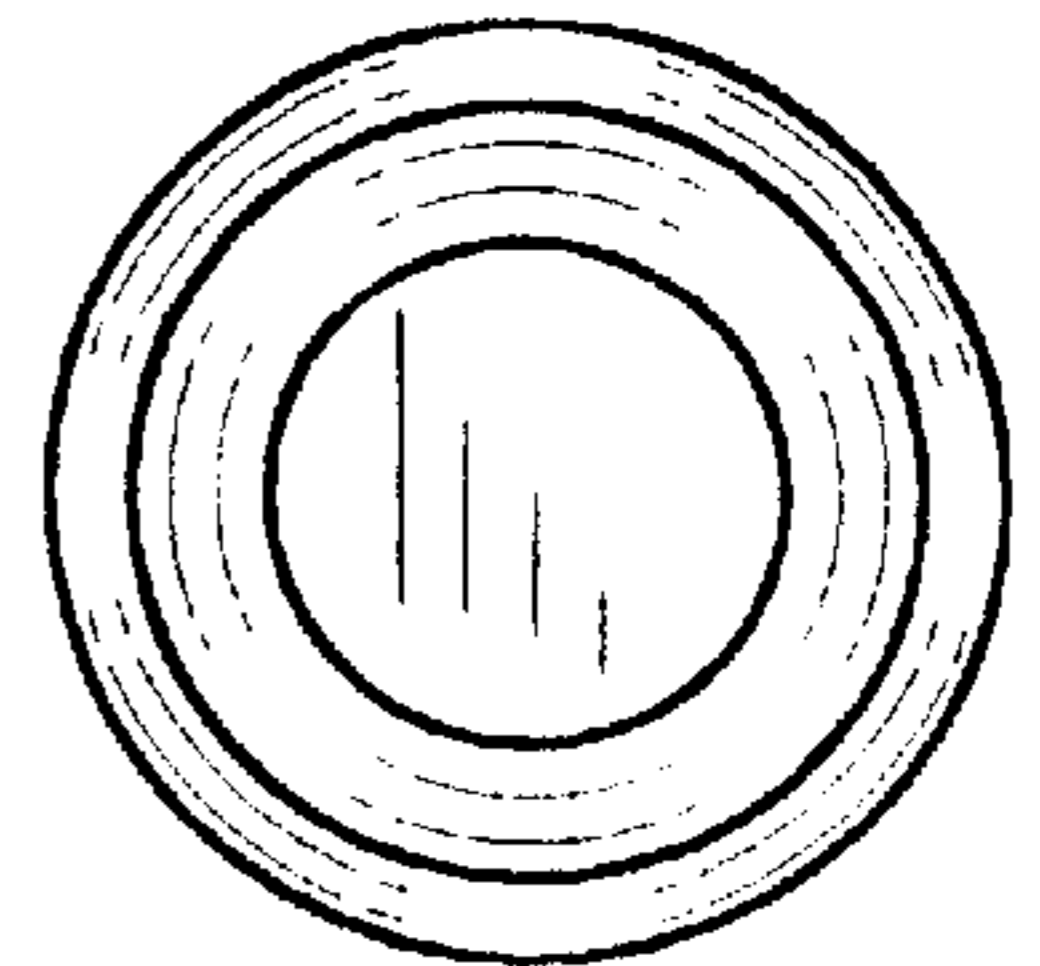


Fig.6