



US00D428599S

United States Patent [19]
Copeland

[11] **Patent Number: Des. 428,599**

[45] **Date of Patent: ** Jul. 25, 2000**

[54] **WIRELESS REMOTE EQUIPMENT STOP CONTROL**

D. 322,597 12/1991 Gaalswyk D13/162
D. 342,939 1/1994 Gaalswyk D13/164
4,628,306 12/1986 Root 340/825

[75] Inventor: **David Oliver Copeland**, Cookeville, Tenn.

Primary Examiner—Adir Aronovich
Attorney, Agent, or Firm—Dougherty & Associates

[73] Assignee: **Stop-It, L.L.C**, Monroe, N.C.

[57] **CLAIM**

[**] Term: **14 Years**

The ornamental design for a wireless remote equipment stop control, as shown and described.

[21] Appl. No.: **29/092,697**

DESCRIPTION

[22] Filed: **Aug. 25, 1998**

FIG. 1 is a perspective view of a wireless remote equipment stop control showing the new design;
FIG. 2 is a top plan view thereof;
FIG. 3 is a rear elevational view thereof;
FIG. 4 is a left side elevational view thereof;
FIG. 5 is a front elevational view thereof;
FIG. 6 is a right side view thereof; and,
FIG. 7 is a bottom view thereof.

[51] **LOC (7) Cl.** **13-03**

[52] **U.S. Cl.** **D13/162**

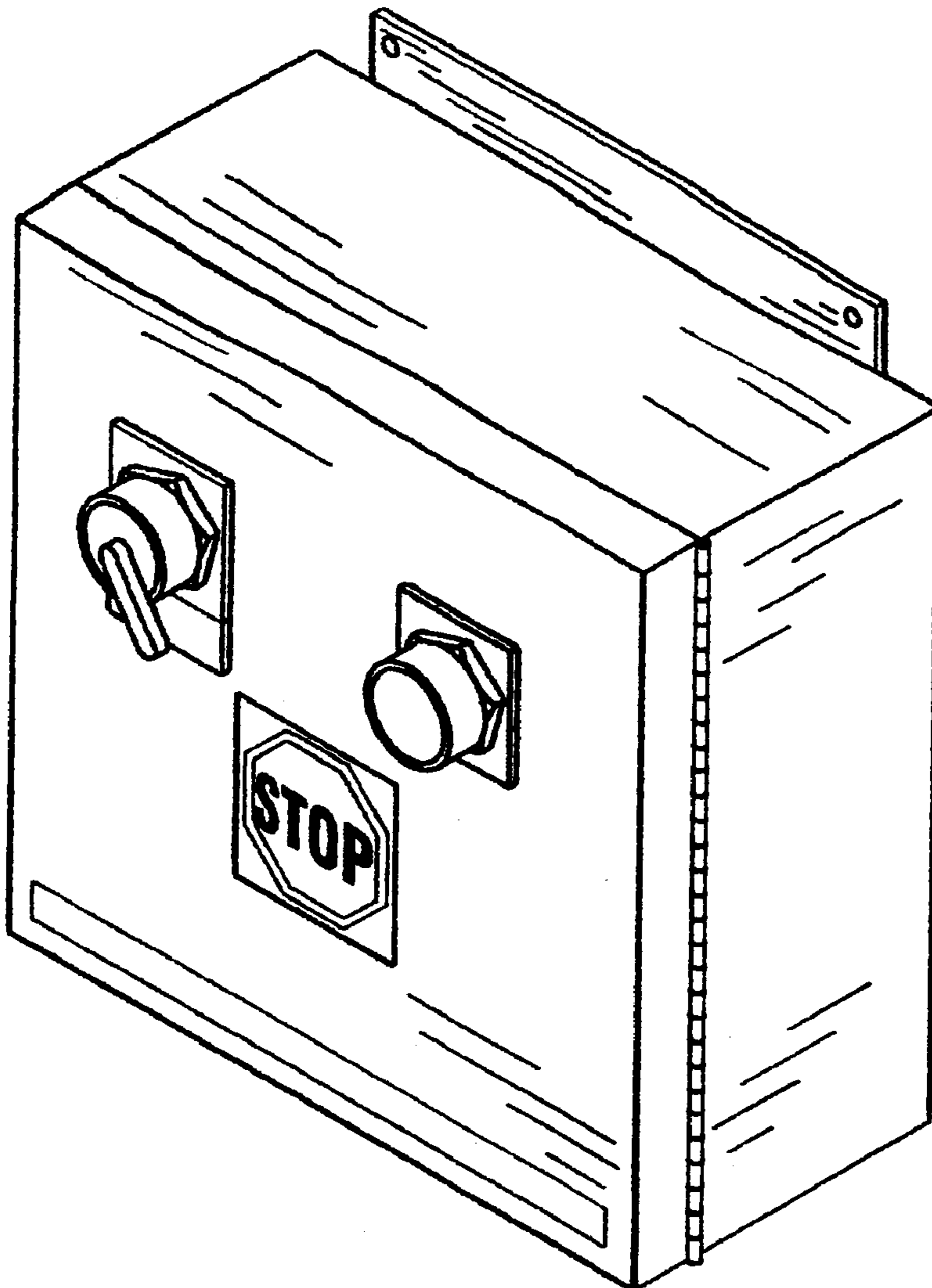
[58] **Field of Search** D13/162, 164,
D13/158, 168; 340/825, 825.69, 825.72

[56] **References Cited**

U.S. PATENT DOCUMENTS

D. 251,485 4/1979 Stockdale D13/162

1 Claim, 2 Drawing Sheets



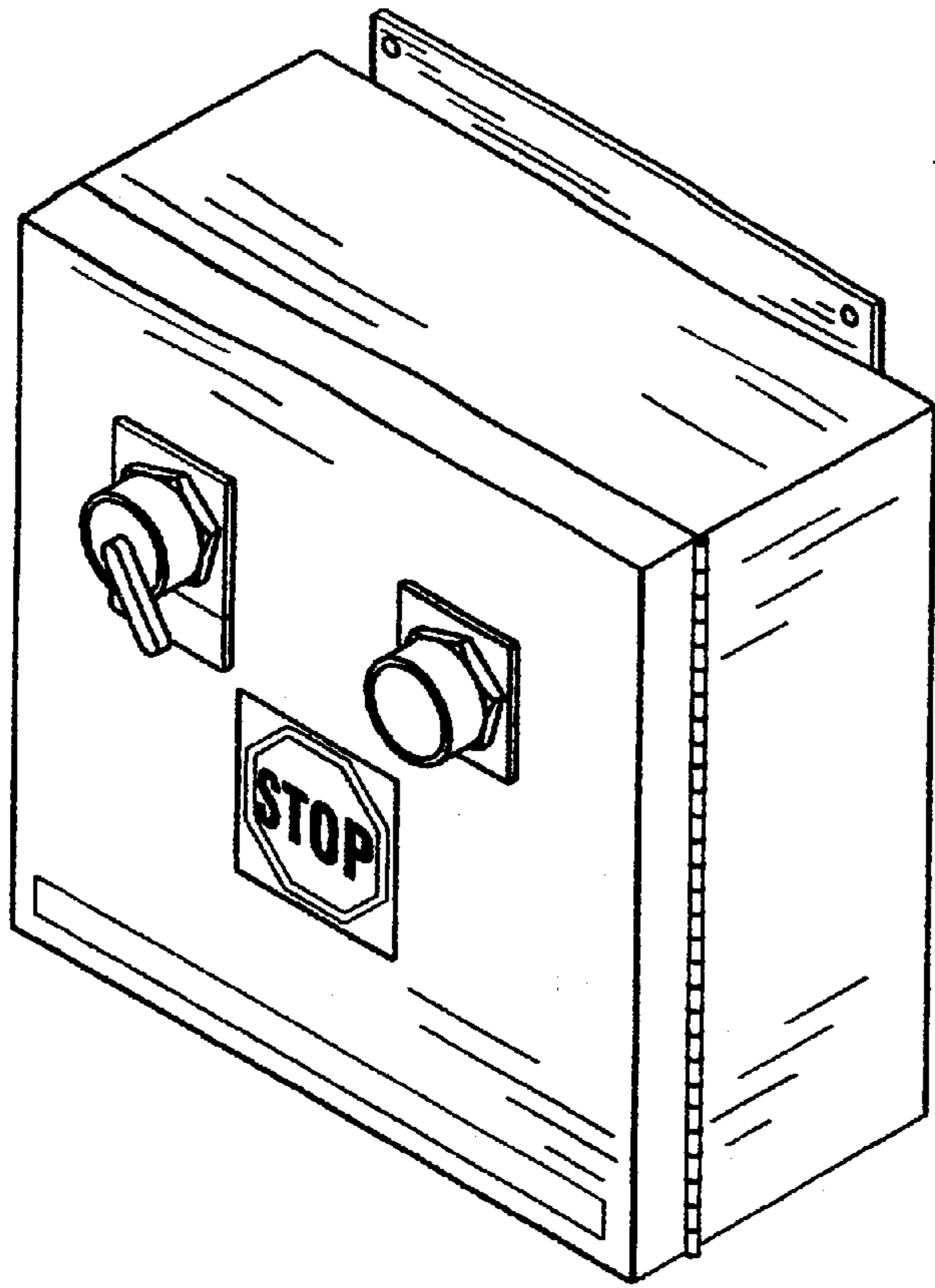


Fig. 1

Fig. 2

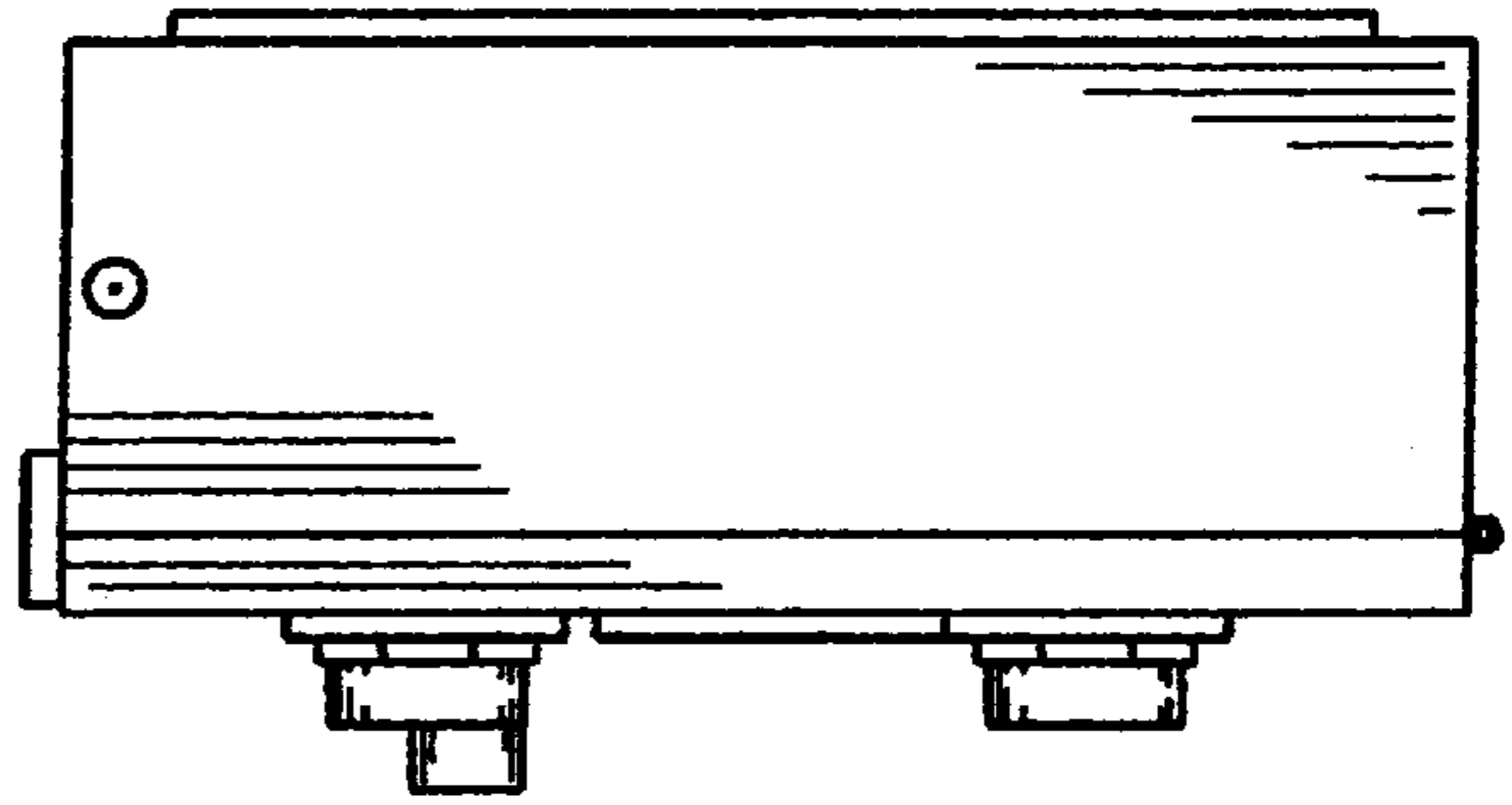
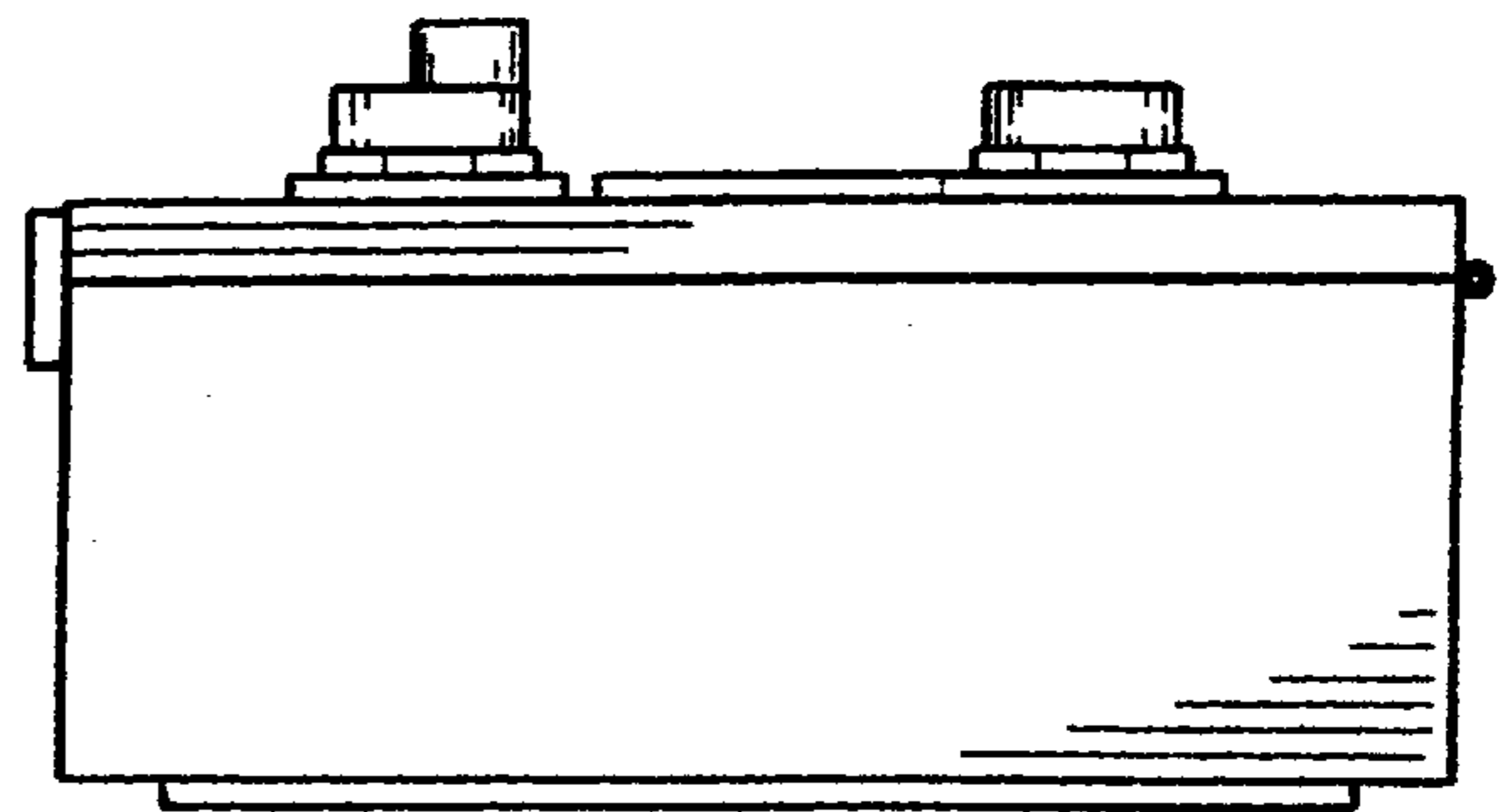


Fig. 7



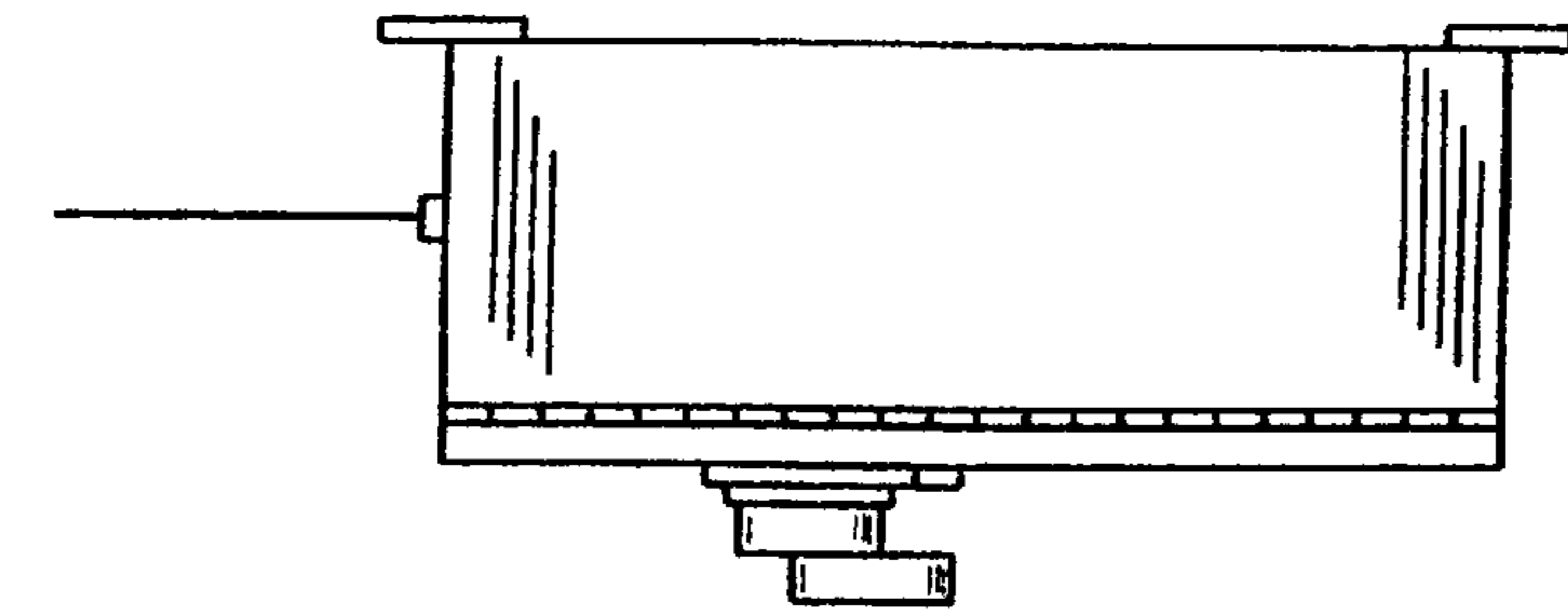


Fig. 3

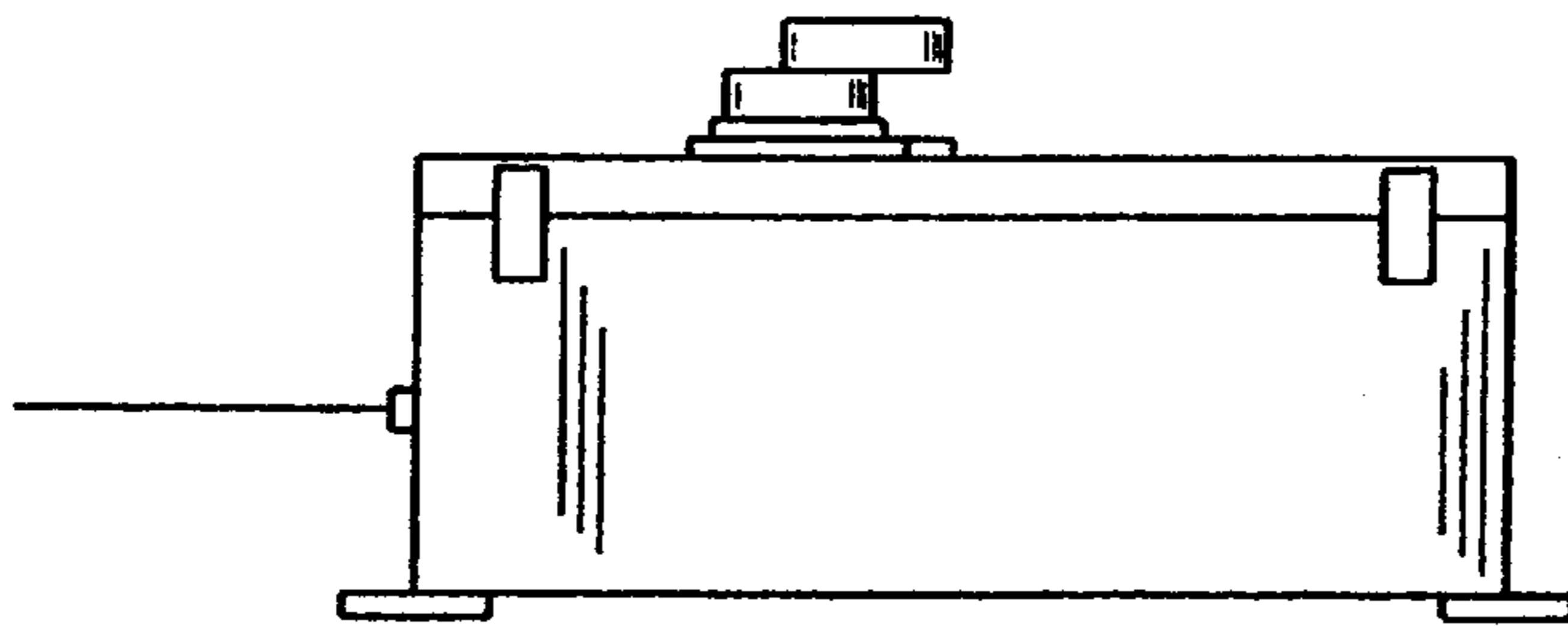


Fig. 4

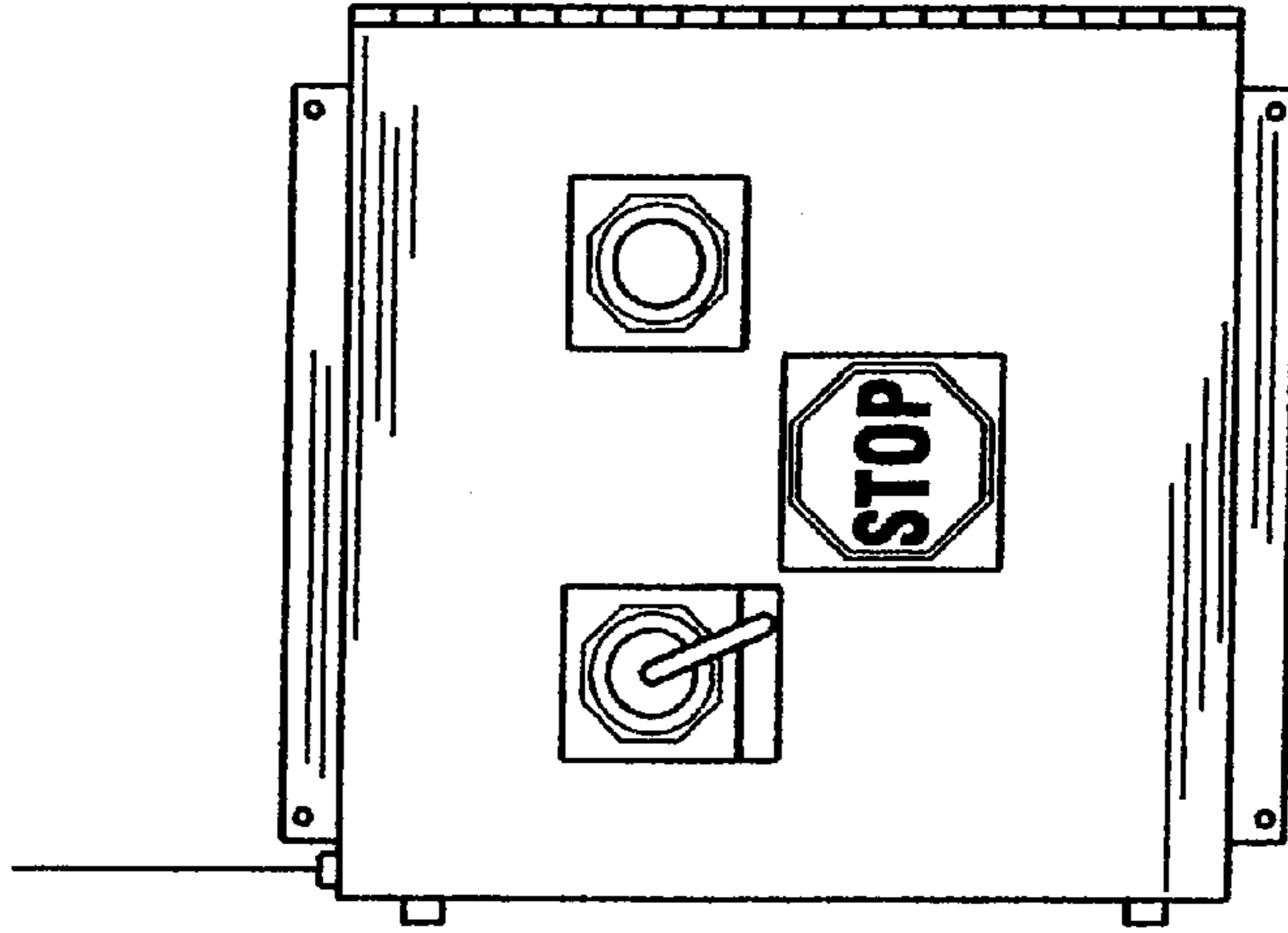


Fig. 5

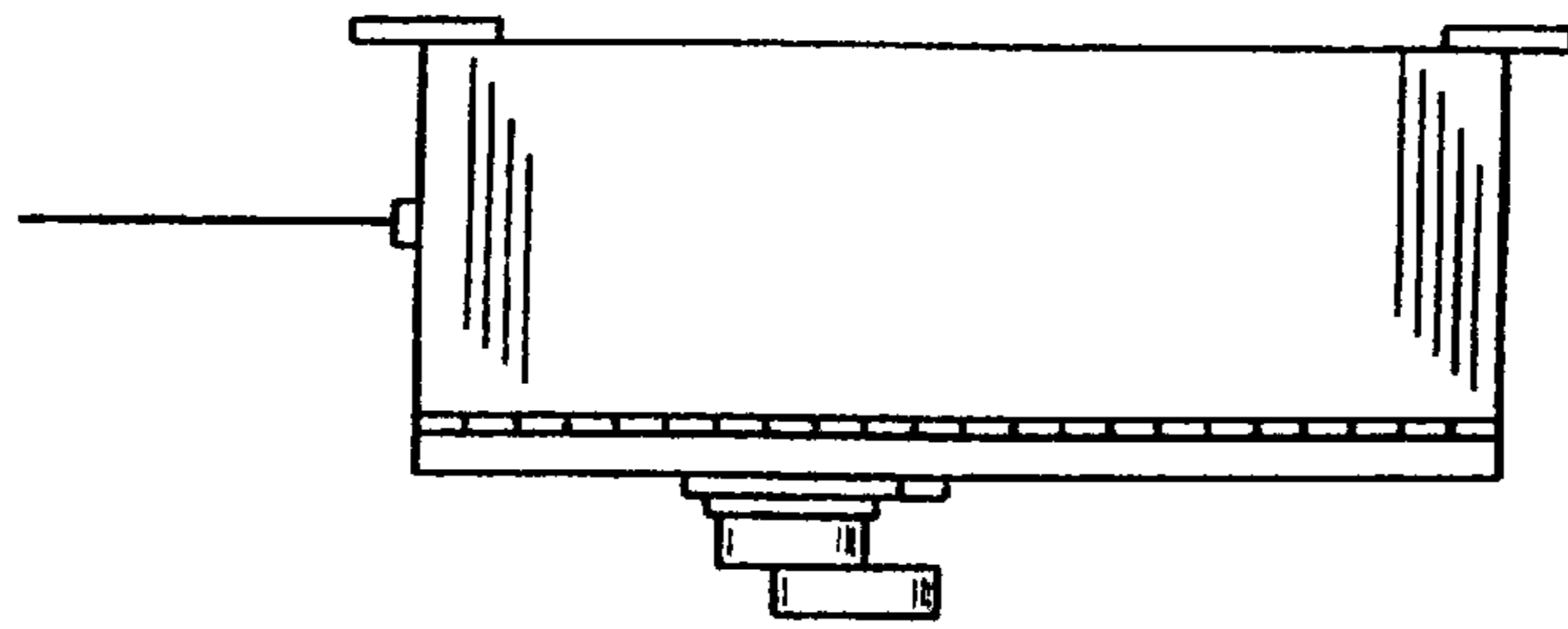


Fig. 6