



US00D428598S

United States Patent [19]
Carter-Williams et al.

[11] **Patent Number: Des. 428,598**
[45] **Date of Patent: ** Jul. 25, 2000**

[54] **POWER STRIP HOLDER**

3807826A1 9/1989 Germany H01R 25/00
2303257A 2/1997 United Kingdom H01R 13/639

[76] Inventors: **Deborah Carter-Williams; James B Williams**, both of 1301 Meadow Dr., Merrillville, Ind. 46410

Primary Examiner—Joel Sincavage

[**] Term: **14 Years**

[57] **CLAIM**

The ornamental design for a power strip holder, as shown and described.

[21] Appl. No.: **29/111,369**

DESCRIPTION

[22] Filed: **Sep. 24, 1999**

[51] **LOC (7) Cl.** **13-03**

FIG. 1 is a front elevational view of the power strip holder of the present invention;

[52] **U.S. Cl.** **D13/154; D13/156**

FIG. 2 is a rear elevational view of the power strip holder of FIG. 1;

[58] **Field of Search** D13/154, 155, D13/156; 439/142, 367, 372, 373, 501; 174/49; 220/3.8, 242

FIG. 3 is a left side elevational view of the power strip holder of FIG. 1;

[56] **References Cited**

FIG. 4 is a right side elevational view of the power strip holder of FIG. 1;

U.S. PATENT DOCUMENTS

FIG. 5 is a top plan view of the power strip holder of FIG. 1;

D. 330,792	11/1992	Colley	D99/28
3,683,314	8/1972	Elkins	439/367
4,382,649	5/1983	Meyer	439/147
4,705,335	11/1987	Goebel	439/133
4,749,363	6/1988	Luska et al.	439/367
5,899,761	5/1999	Crane et al.	439/142
5,906,517	5/1999	Crane et al.	439/654

FIG. 6 is a bottom plan view of the power strip holder of FIG. 1; and,

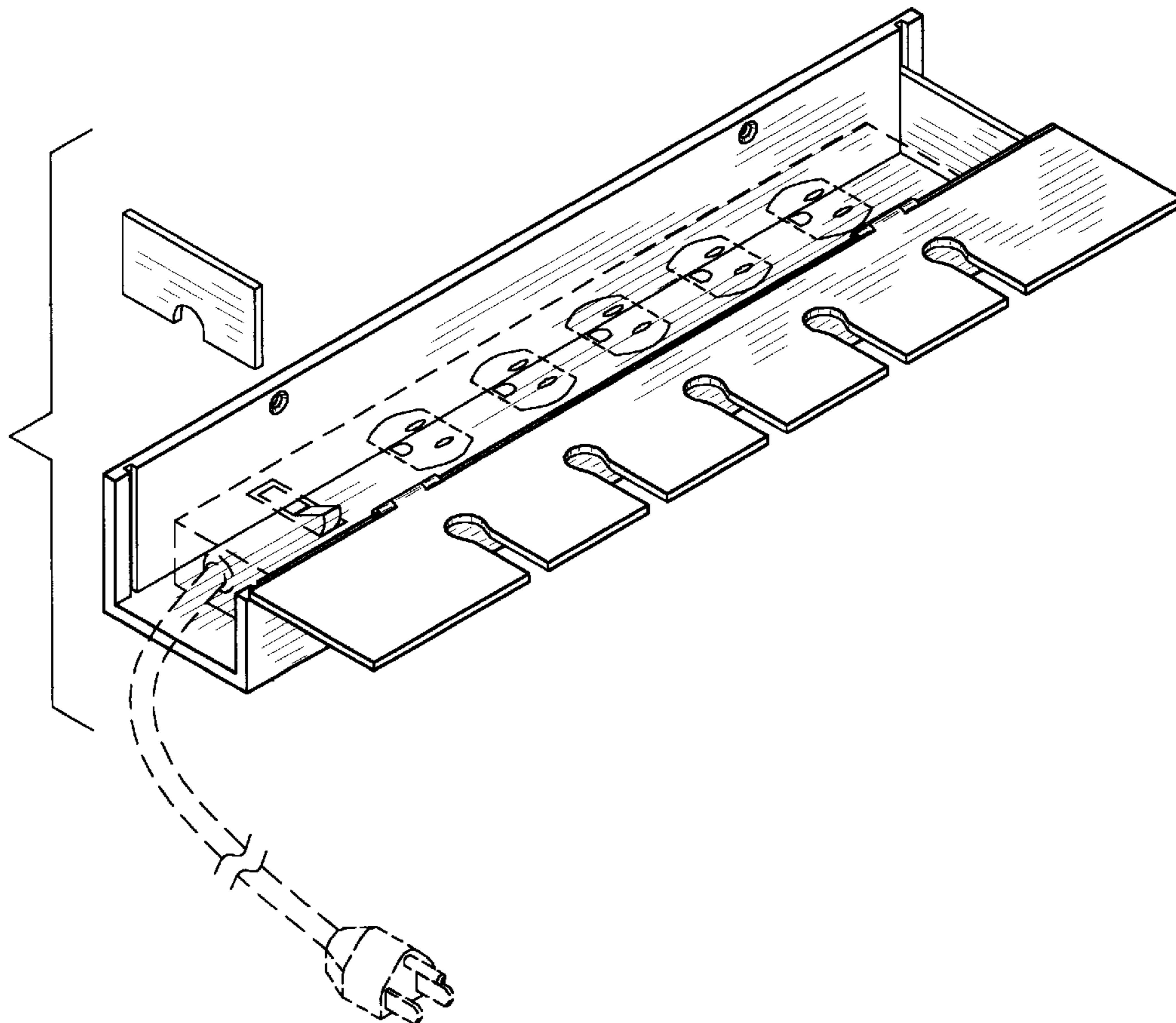
FOREIGN PATENT DOCUMENTS

532783A1 3/1993 European Pat. Off. H01R 13/447

FIG. 7 is a top, front, left side perspective view of the power strip holder of FIG. 1.

The broken lines showing of a power strip in FIG. 7 are for illustrative purposes only and form no part of the claimed design.

1 Claim, 3 Drawing Sheets



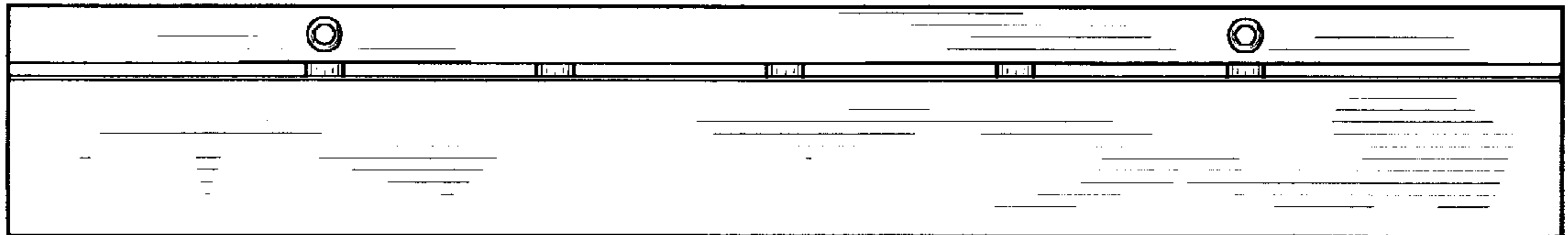


Fig. 1

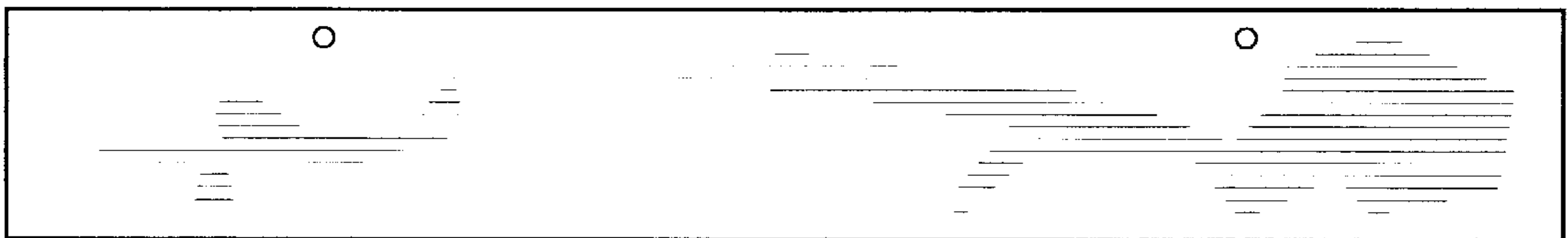


Fig. 2

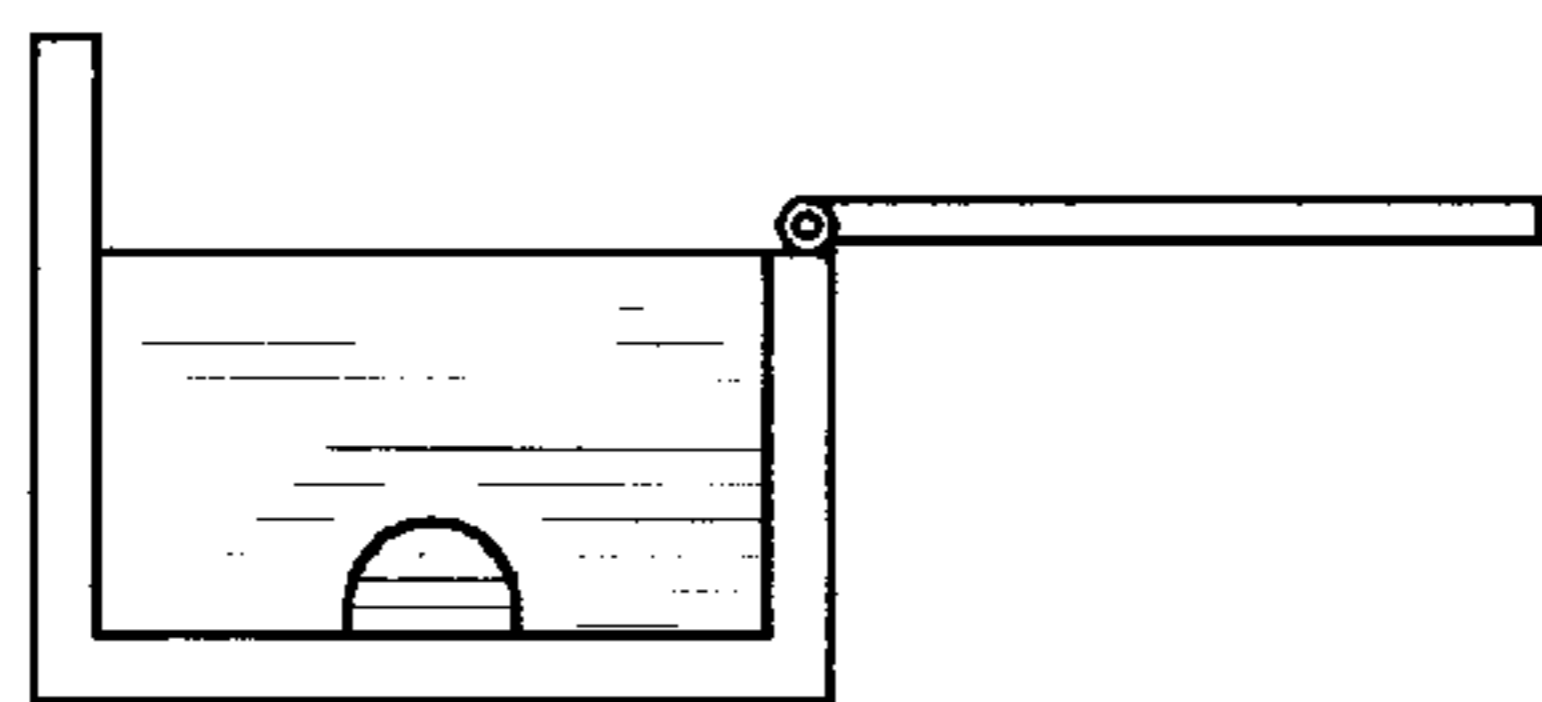


Fig. 3

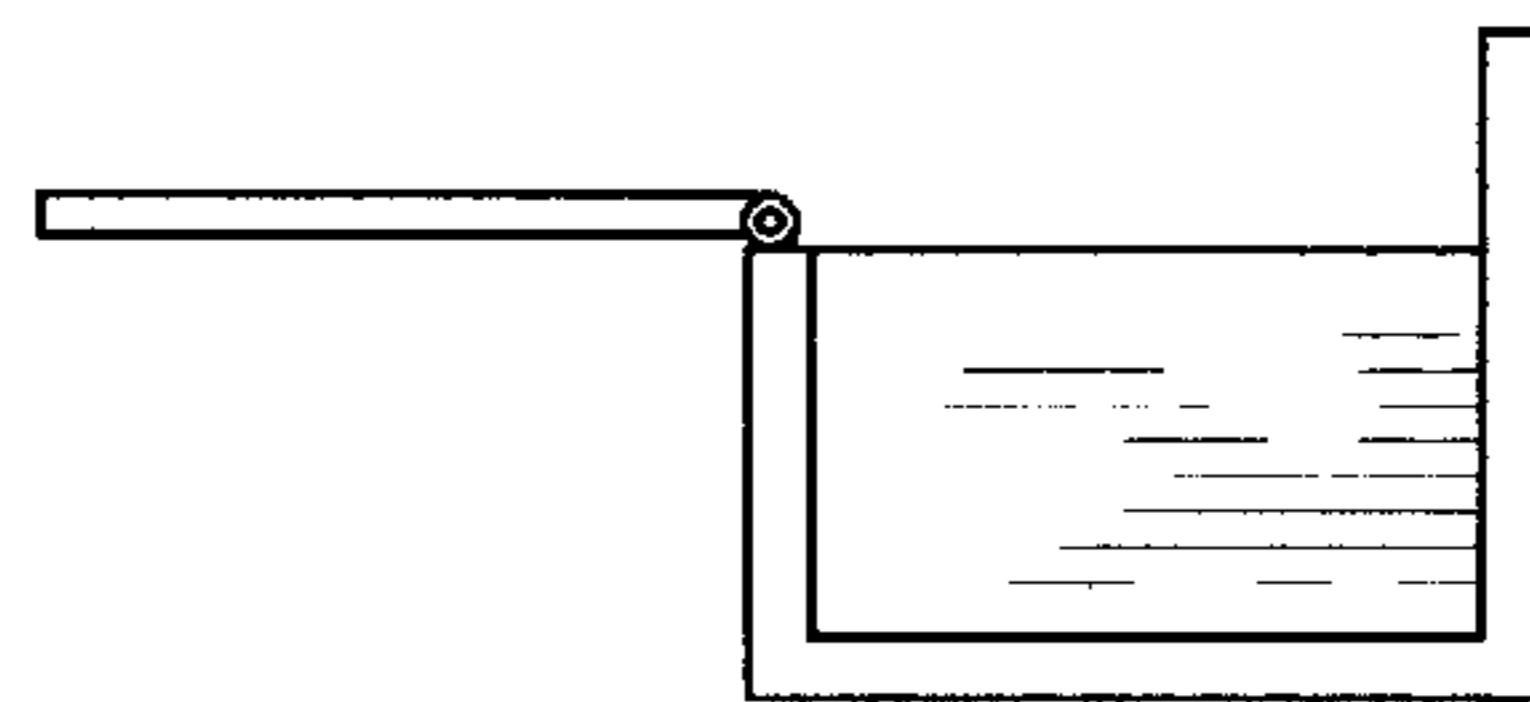


Fig. 4

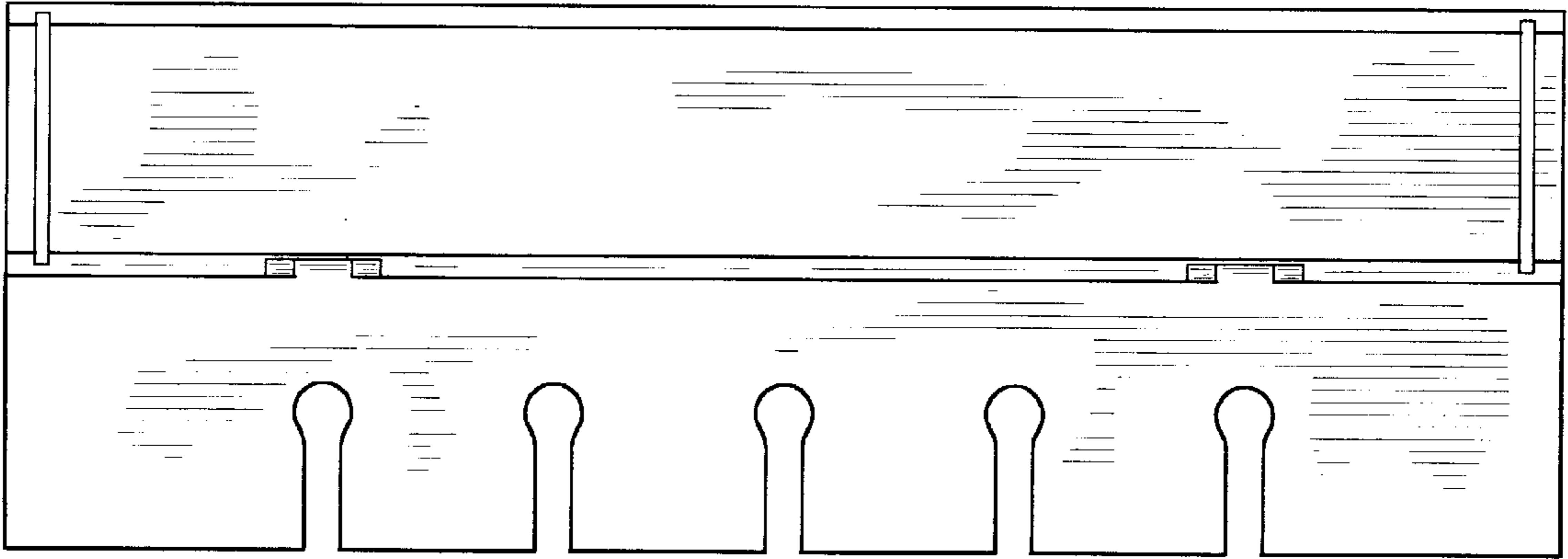


Fig. 5

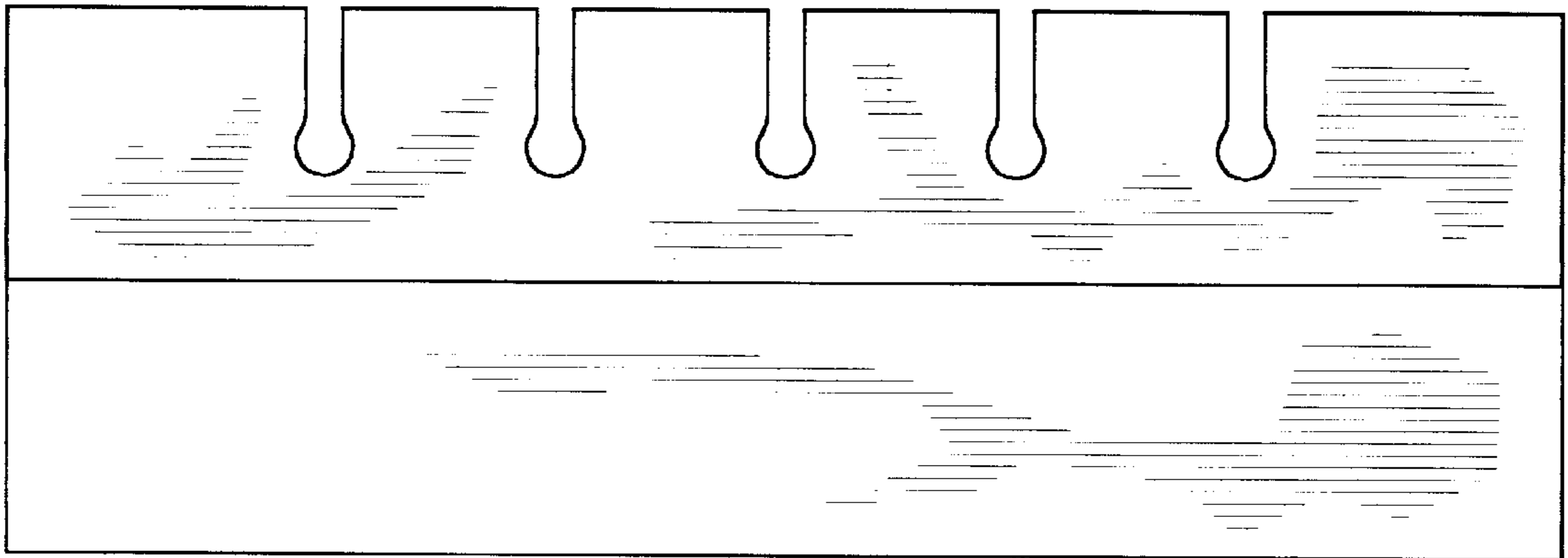


Fig. 6

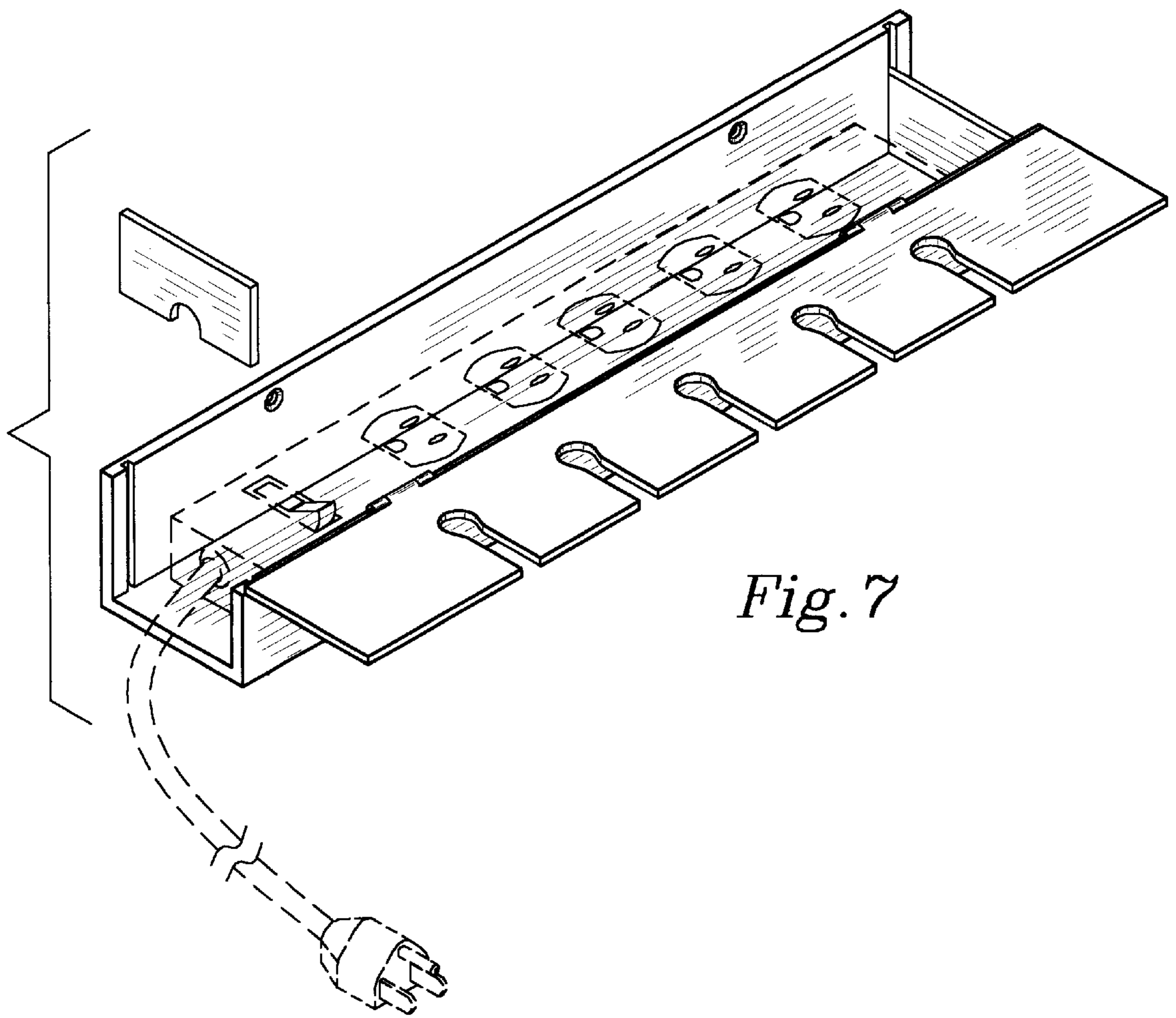


Fig. 7