



US00D428597S

United States Patent [19]

Murata et al.

[11] Patent Number: **Des. 428,597**

[45] Date of Patent: **** Jul. 25, 2000**

[54] **CHARGER FOR A RADIO TELEPHONE SET**

D. 413,097 8/1999 Chang D13/107

[75] Inventors: **Kouichi Murata**, Zushi; **Atsunobu Banryu**, Funabashi, both of Japan

[73] Assignee: **Kabushiki Kaisha Toshiba**, Kawasaki, Japan

[**] Term: **14 Years**

[21] Appl. No.: **29/108,343**

[22] Filed: **Jul. 27, 1999**

[30] Foreign Application Priority Data

Jan. 28, 1999 [JP] Japan 11-1813

[51] **LOC (7) Cl.** **13-02**

[52] **U.S. Cl.** **D13/108**

[58] **Field of Search** D13/107, 108, D13/118; D14/251, 253; 320/110-115

[56] References Cited

U.S. PATENT DOCUMENTS

- D. 361,979 9/1995 Shirakawa et al. D13/108
- D. 368,892 4/1996 Tanaka D13/108
- D. 369,344 4/1996 Lindeman et al. D13/108
- D. 380,729 7/1997 Richards et al. D13/108

FOREIGN PATENT DOCUMENTS

- 990649 9/1997 Japan .
- 990713 9/1997 Japan .
- 1014448 7/1998 Japan .
- 1015022 7/1998 Japan .

Primary Examiner—Joel Sincavage
Attorney, Agent, or Firm—Oblon, Spivak, McClelland, Maier & Neustadt, P.C.

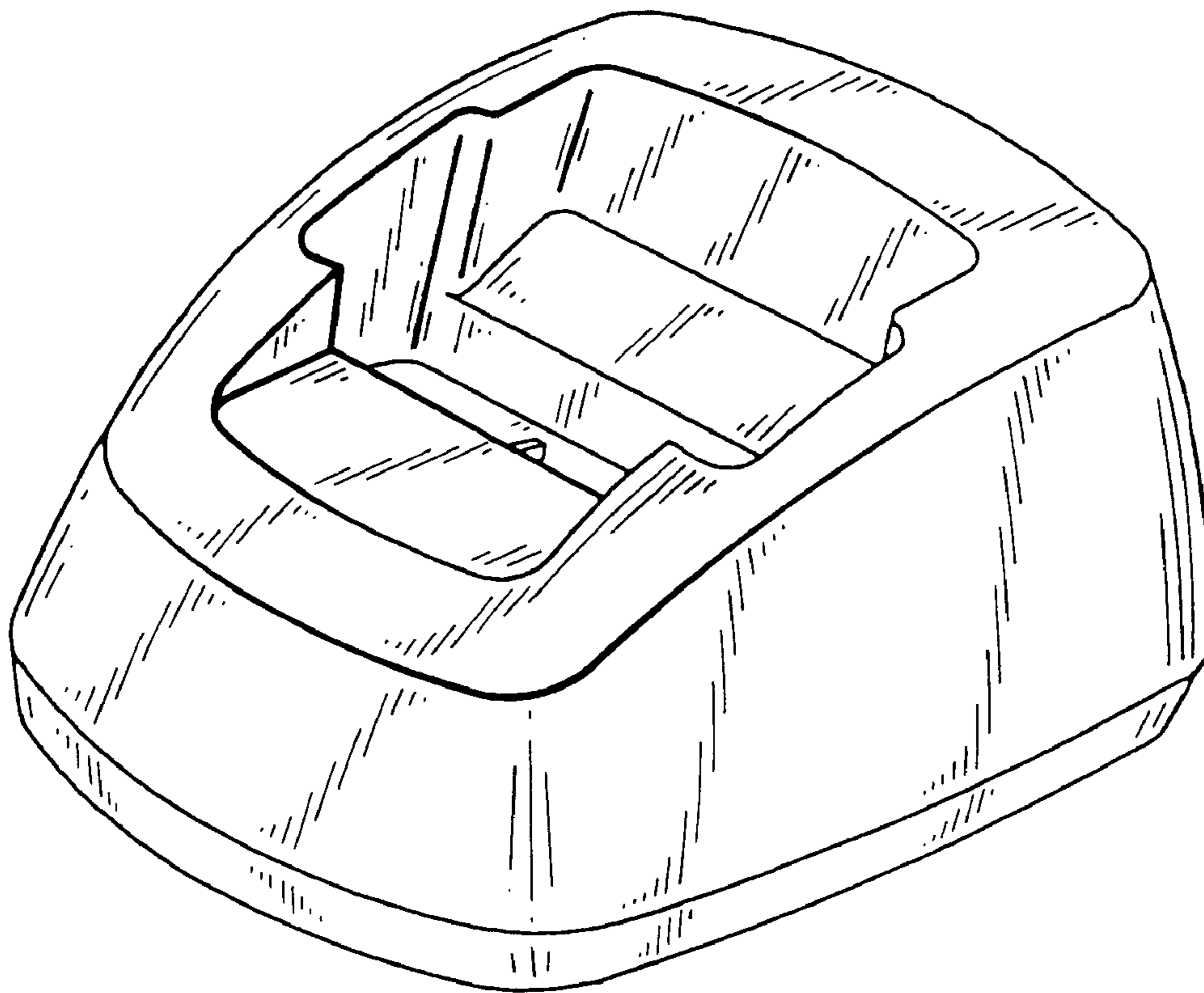
[57] CLAIM

The ornamental design for a charger for a radio telephone set, as shown and described.

DESCRIPTION

FIG. 1 is a front, top and right side perspective view of a charger for a radio telephone set showing our new design; FIG. 2 is a top plan view thereof; FIG. 3 is a right side elevational view thereof; the opposite side being a mirror image thereof; FIG. 4 is a front elevational view thereof; FIG. 5 is a rear elevational view thereof; and, FIG. 6 is a bottom plan view thereof.

1 Claim, 2 Drawing Sheets



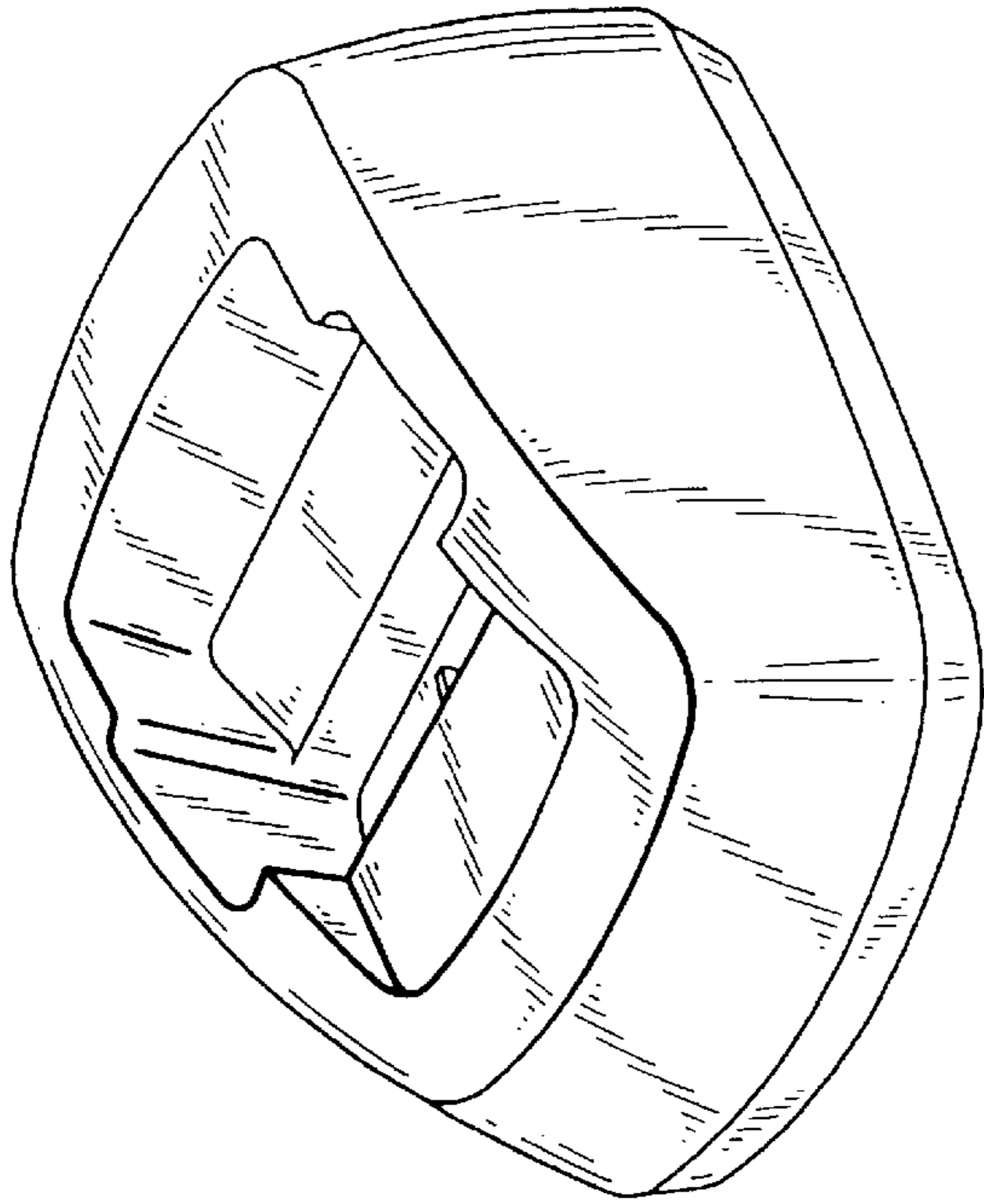


Fig. 1

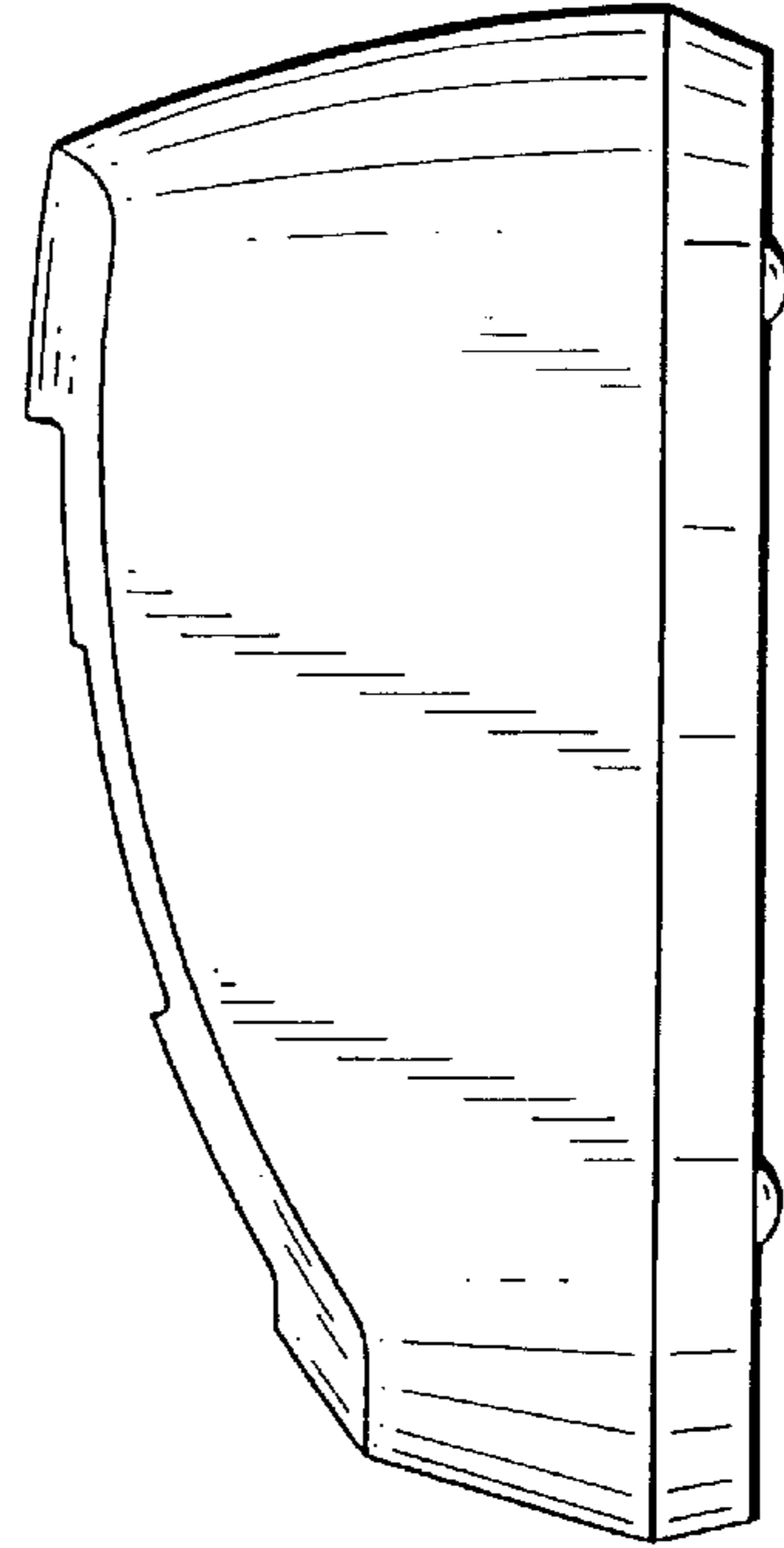


Fig. 3

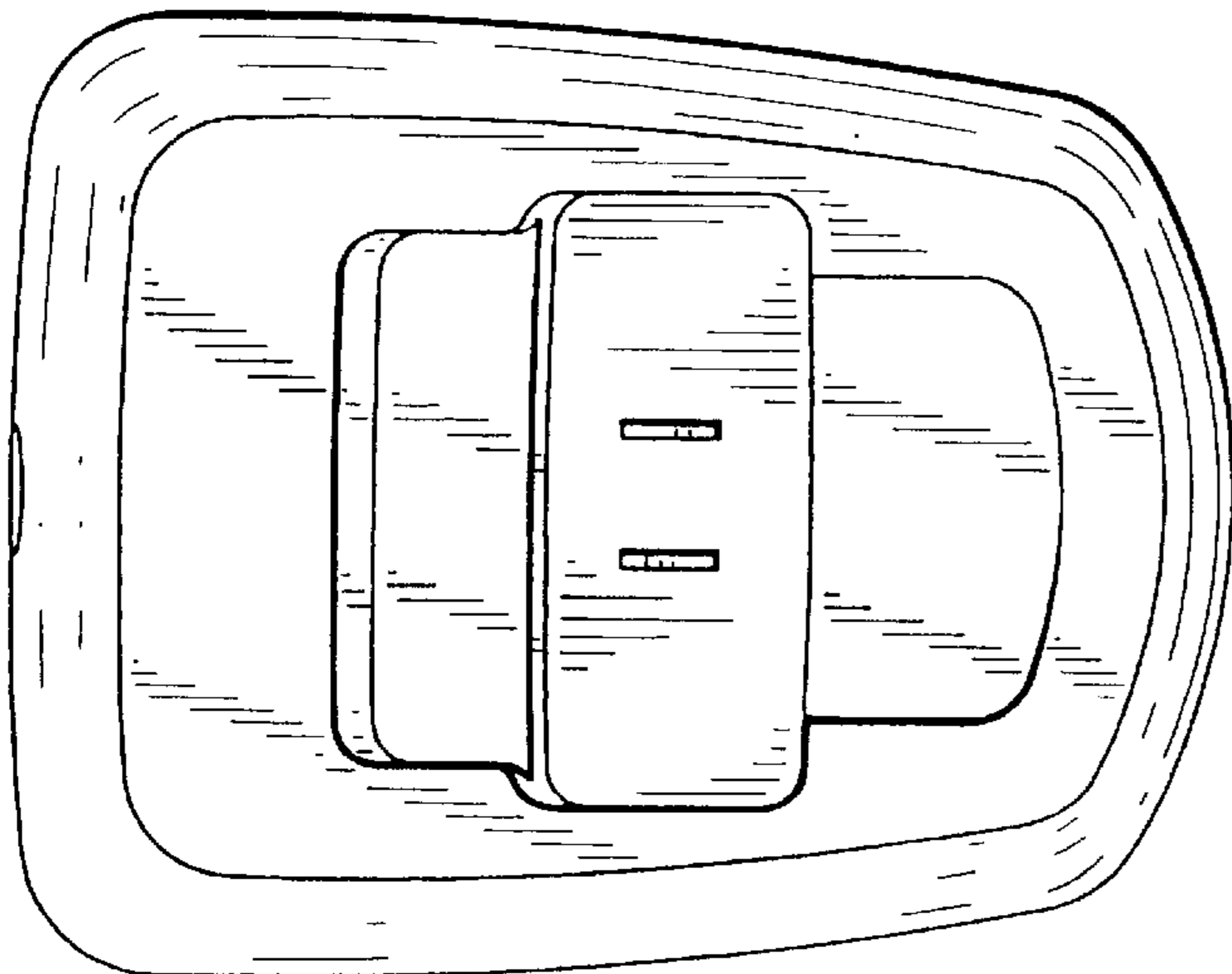


Fig. 2

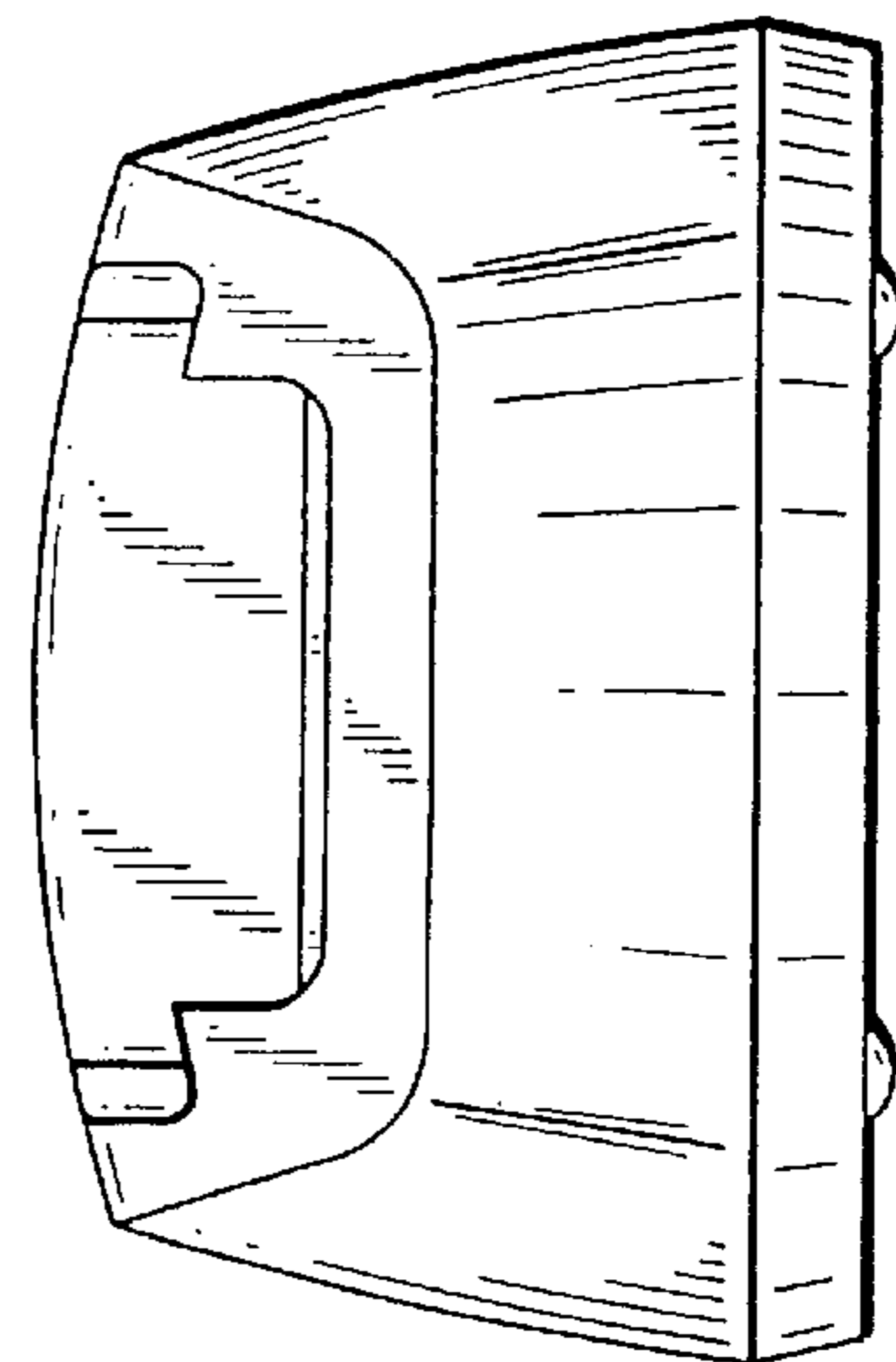


Fig. 4

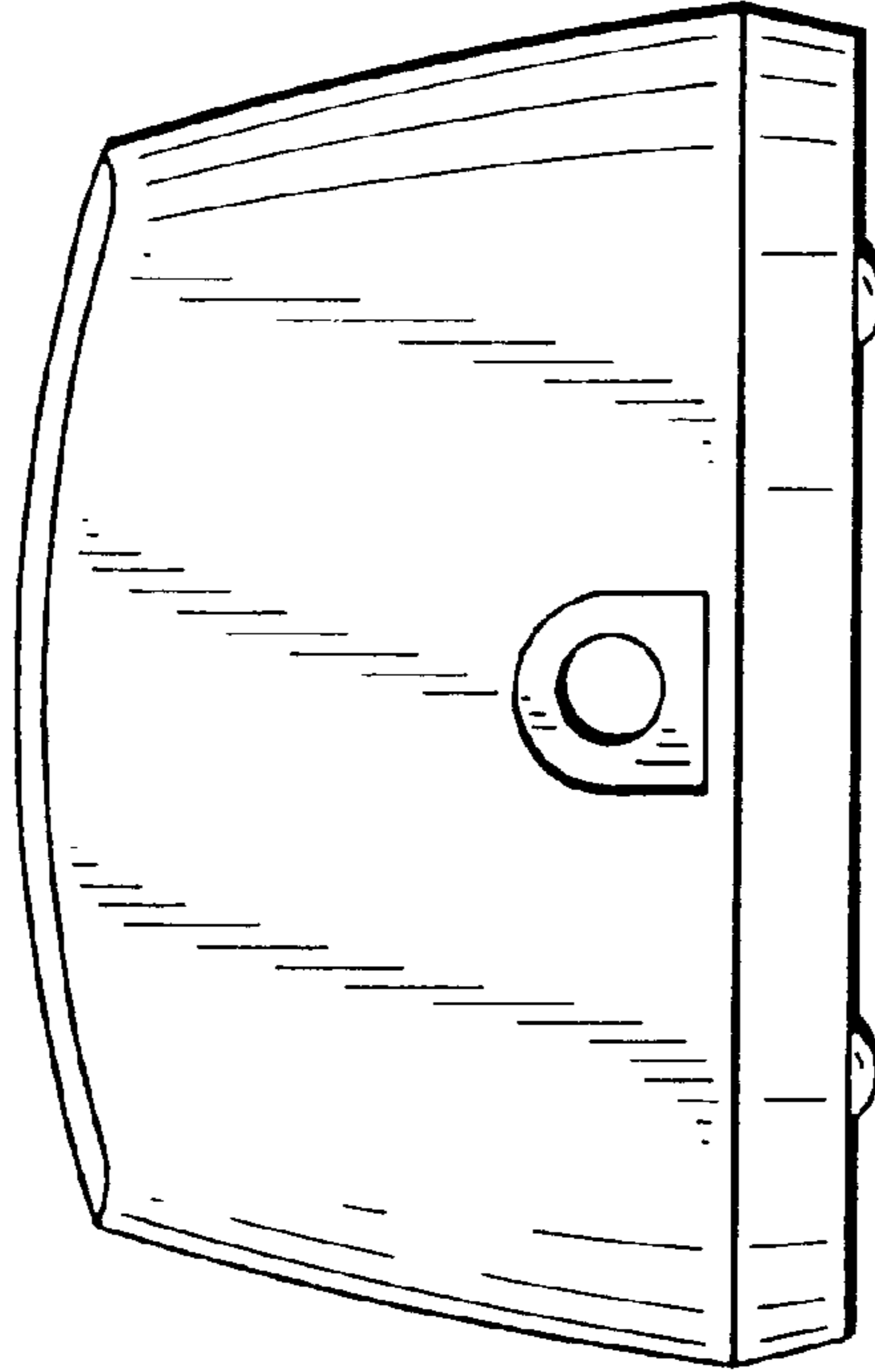


Fig. 5

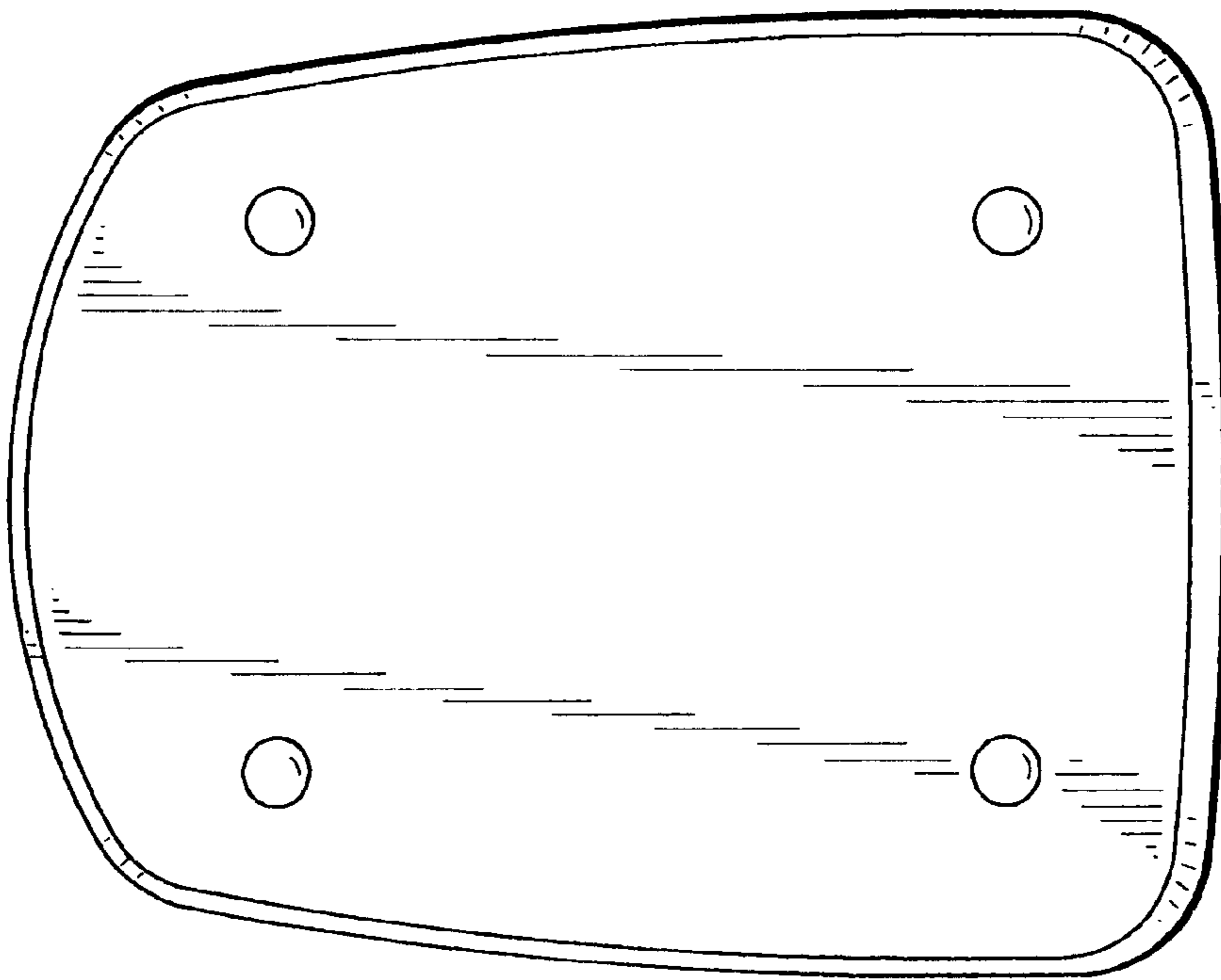


Fig. 6