



US00D428592S

United States Patent [19]

[11] Patent Number: **Des. 428,592**

Melegari et al.

[45] Date of Patent: **** Jul. 25, 2000**

[54] **FRONT FACE OF A VEHICLE WHEEL**

[75] Inventors: **Gianfranco Melegari**, Castelleone;
Emanuele Roncadori, Havenblo;
Guglielmo Bertolinelli, Castiglione
D/Stiv.; **Gualtiero Cervati**, Brescia;
Claudio Galeazzi, Caxrehedo, all of
Italy

D. 231,656	5/1974	Ishibashi	D12/209
D. 367,031	2/1996	Hubbach	D12/209
D. 377,471	1/1997	Stach	D12/209
D. 391,913	3/1998	Chung	D12/209
D. 392,930	3/1998	Embrador	D12/209
D. 399,470	10/1998	Sacco et al.	D12/209
D. 403,649	1/1999	Moreno	D12/211
D. 407,363	3/1999	Muzzarelli	D12/209

[73] Assignee: **Just Wheels & Tires**, Santa Ana, Calif.

Primary Examiner—Doris V. Coles
Assistant Examiner—Stacia Sinuik

[**] Term: **14 Years**

[57] CLAIM

[21] Appl. No.: **29/095,985**

The ornamental design for a front face of a vehicle wheel,
as shown and described.

[22] Filed: **Nov. 3, 1998**

DESCRIPTION

[51] **LOC (7) Cl.** **12-16**

[52] **U.S. Cl.** **D12/209**

[58] **Field of Search** D12/204-213;
301/64.1, 65, 37.1

FIG. 1 is a front elevational view of the front face of a
vehicle according to the invention; and,
FIG. 2 is a perspective view of the front face of a vehicle
wheel as shown in FIG. 1.

The broken line showing the rear portion of the vehicle
wheel in FIG. 2 is for illustrative purposes and forms no part
of the claimed design.

[56] References Cited

U.S. PATENT DOCUMENTS

D. 222,348 10/1971 Harty, Jr. D12/209

1 Claim, 2 Drawing Sheets

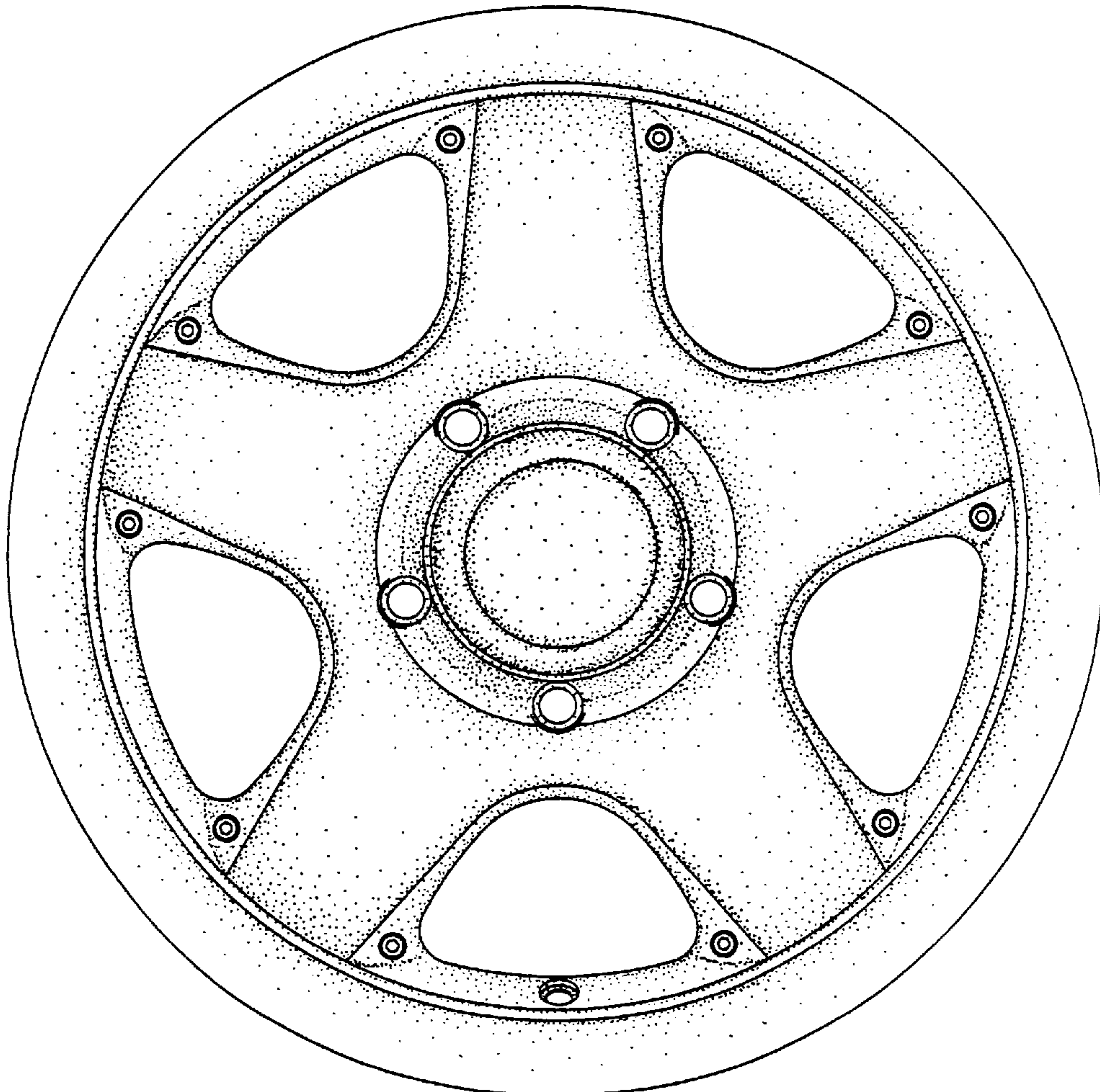


Fig. 1

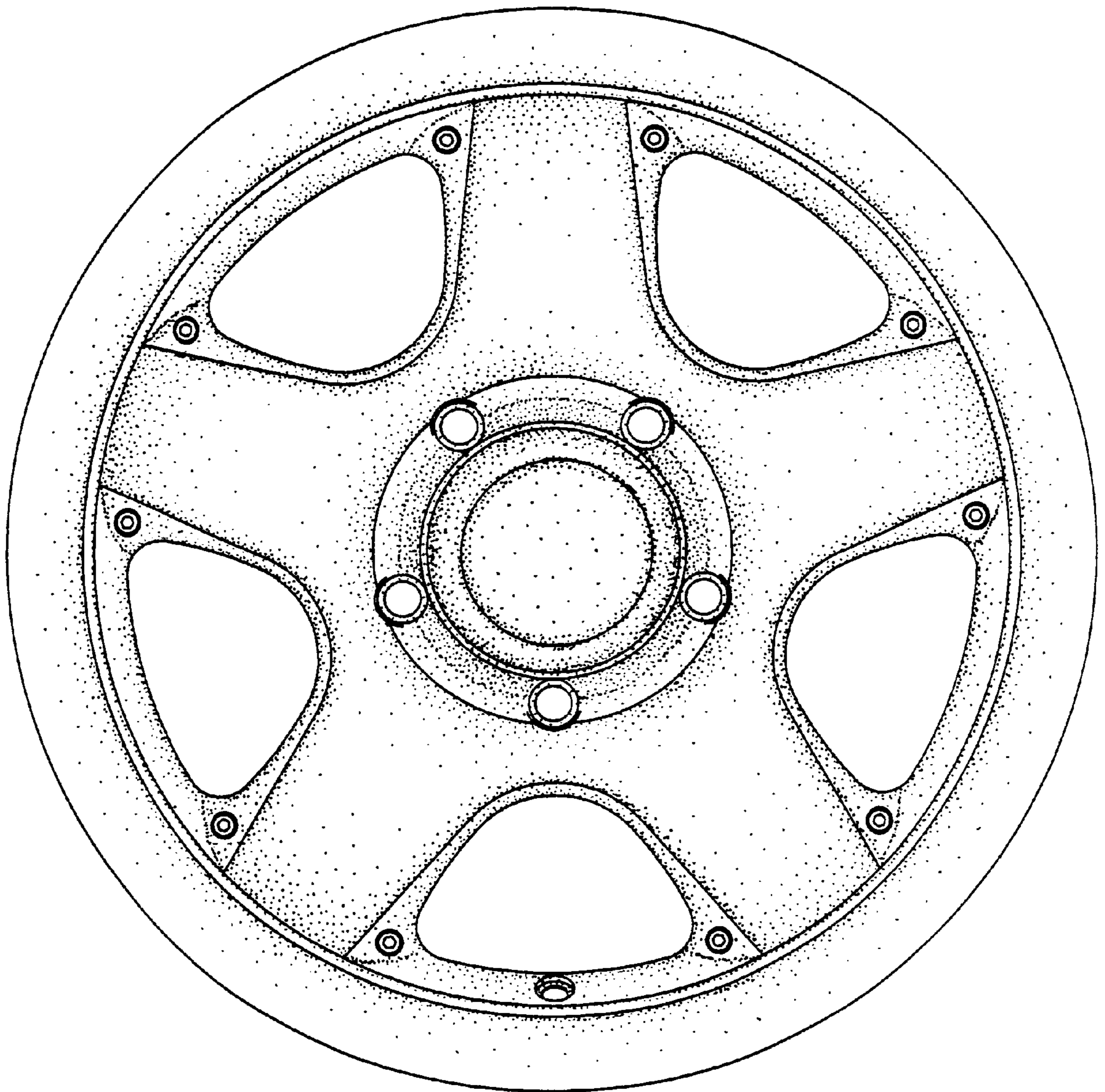


Fig. 2

