



US00D428568S

United States Patent [19]

Leon, Jr.

[11] Patent Number: **Des. 428,568**

[45] Date of Patent: **** Jul. 25, 2000**

[54] **ADJUSTABLE MAGNETIC JIG**

[76] Inventor: **Raymond Leon, Jr.**, 51-935 Sunset Dr., Coachella, Calif. 92236

[**] Term: **14 Years**

[21] Appl. No.: **29/105,376**

[22] Filed: **May 24, 1999**

[51] **LOC (7) Cl.** **08-05**

[52] **U.S. Cl.** **D8/71; D8/72**

[58] **Field of Search** **D8/71, 72, 73; 269/8, 37, 41, 45; 228/212**

[56] **References Cited**

U.S. PATENT DOCUMENTS

2,884,698	5/1959	Wursch	269/8
3,394,389	7/1968	Amir	269/45
3,456,941	7/1969	Beskow	269/41
4,253,649	3/1981	Hewson	269/45
4,943,039	7/1990	Jackson	269/45

Primary Examiner—Philip S. Hyder
Attorney, Agent, or Firm—Timothy Thut Tyson; Freilich, Hornbaker & Rosen

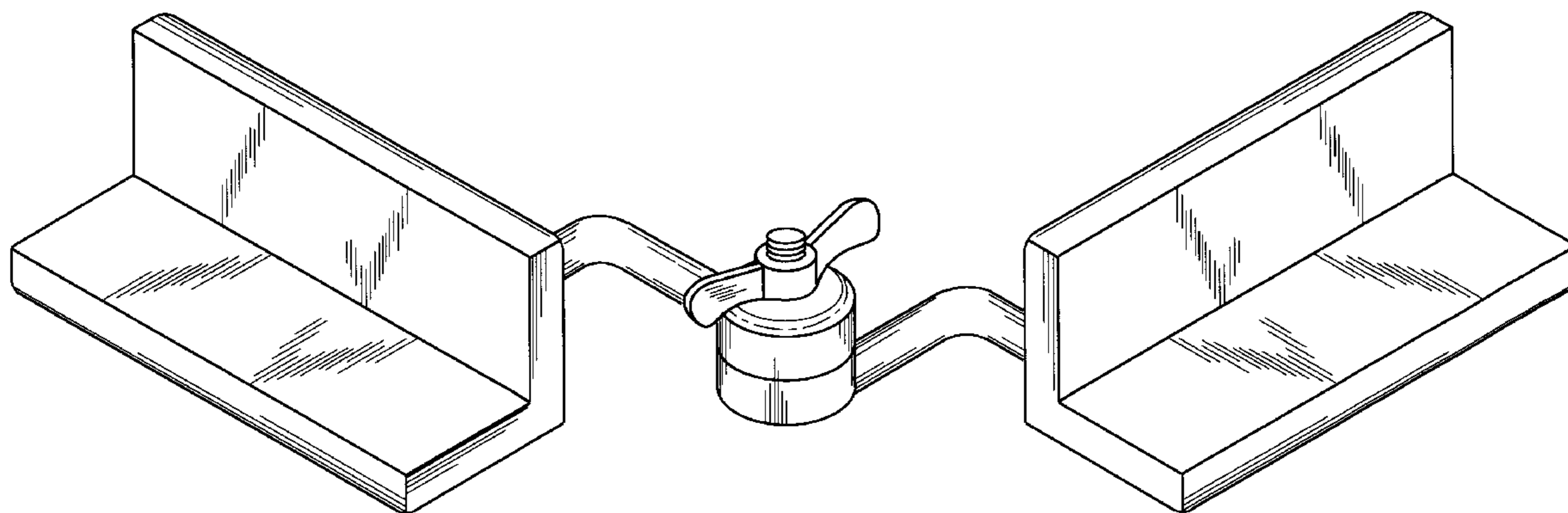
[57] **CLAIM**

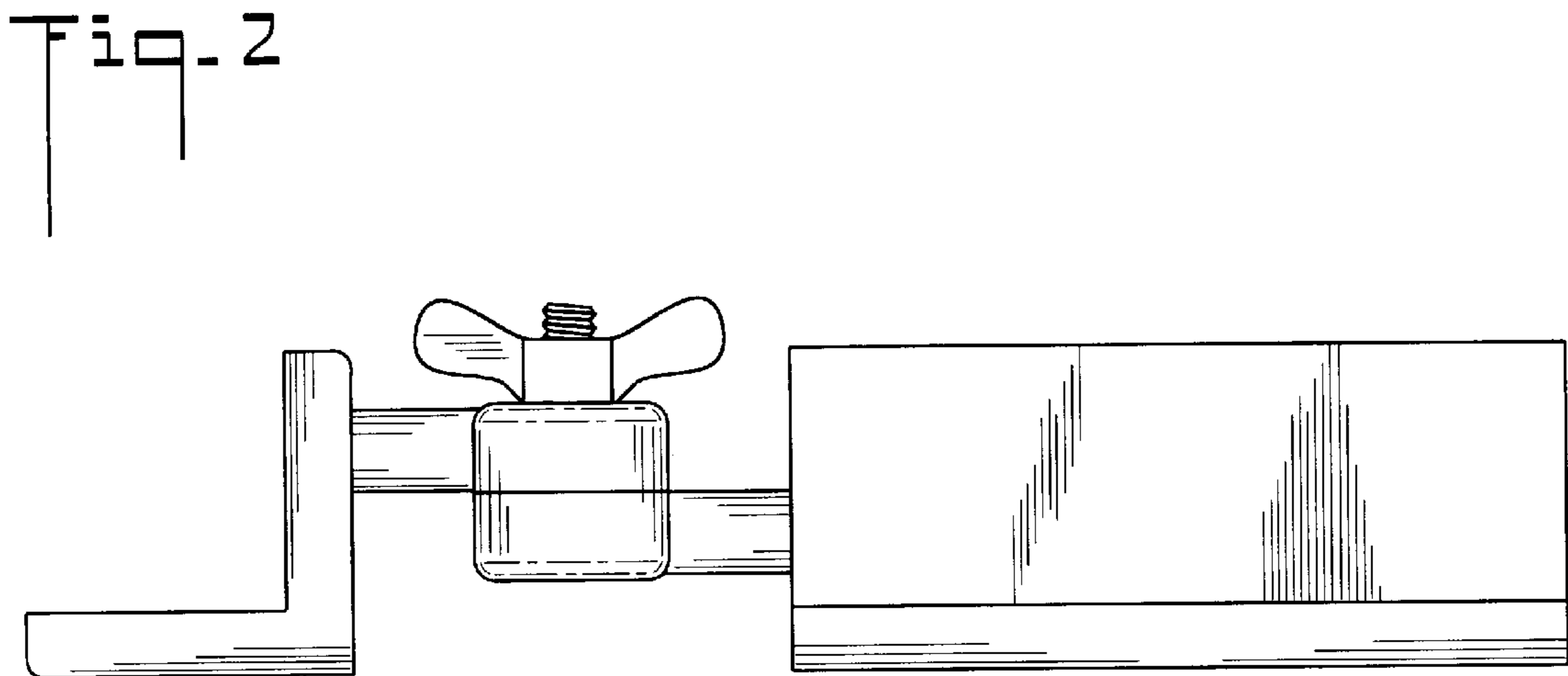
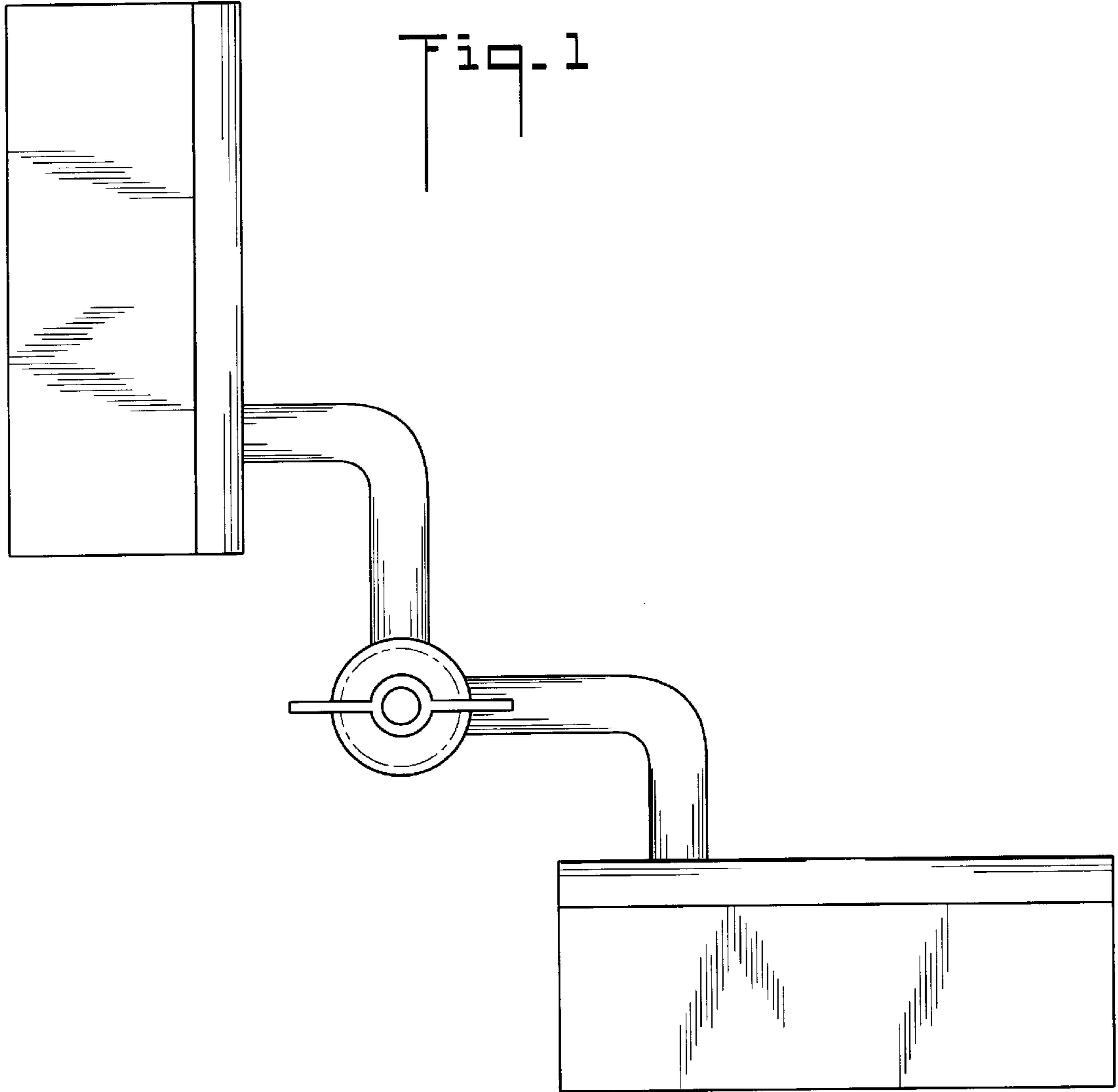
The ornamental design for an adjustable magnetic jig, as shown.

DESCRIPTION

FIG. 1 is a top plan view of an adjustable magnetic jig showing my new design;
FIG. 2 is a front elevation view, straight on the left half thereof;
FIG. 3 is a rear elevation view, straight on the left half thereof;
FIG. 4 is a bottom plan view thereof;
FIG. 5 is a rear elevation view, straight on the right half thereof;
FIG. 6 is a front elevation view, straight on the right half thereof; and,
FIG. 7 is a front, top perspective view thereof.

1 Claim, 4 Drawing Sheets





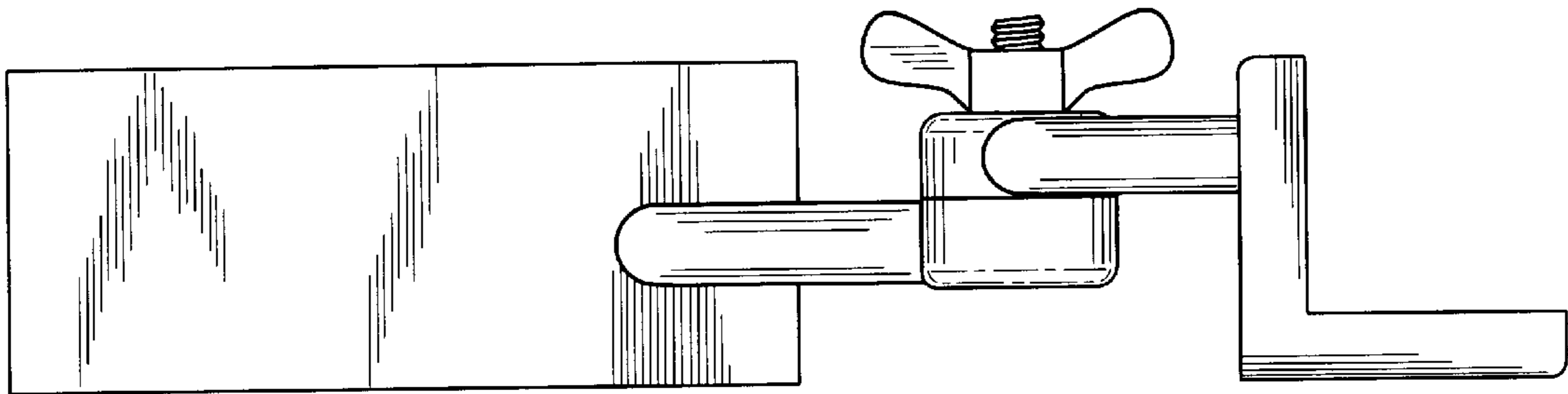


Fig. 3

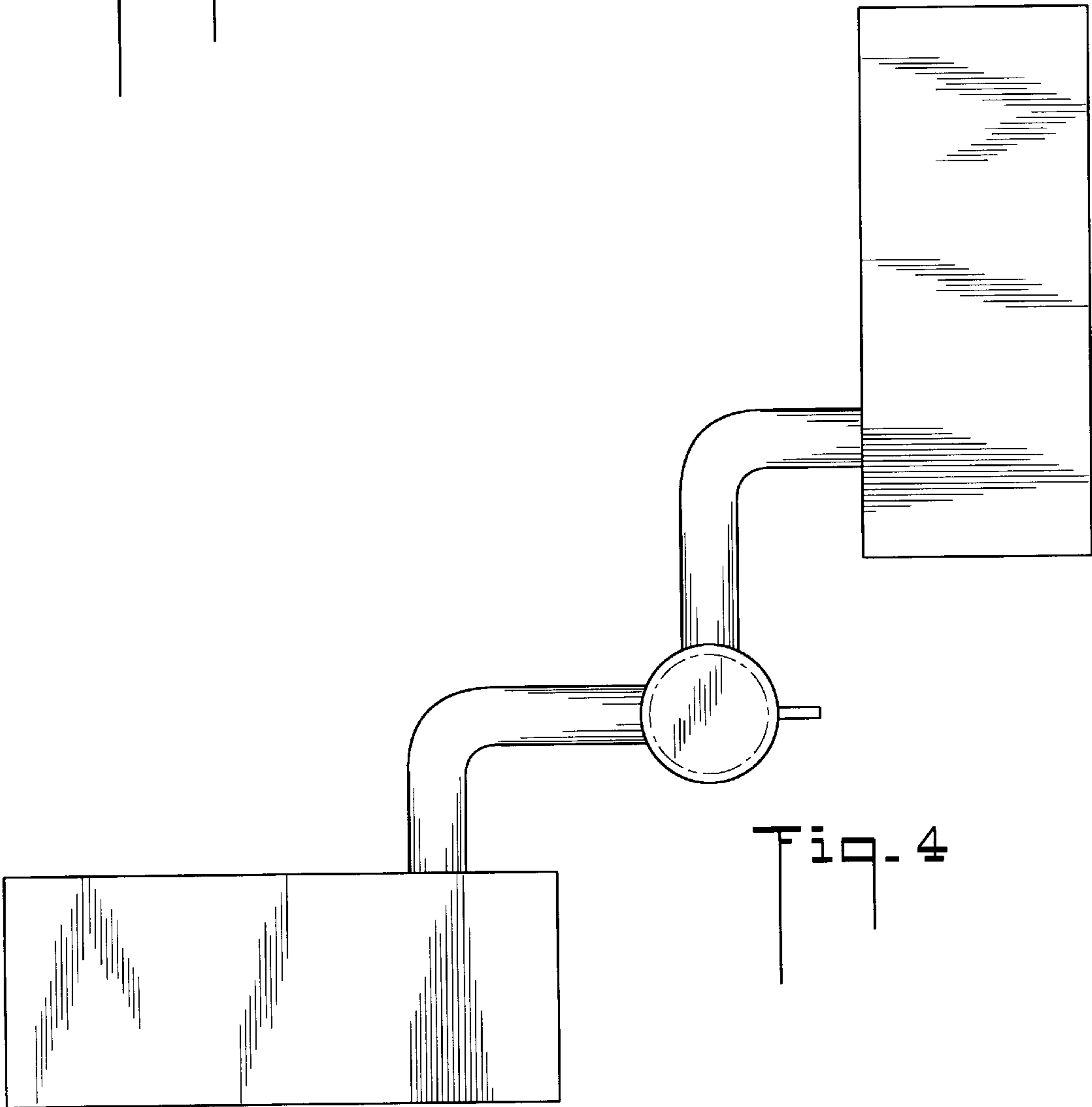


Fig. 4

Fig. 5

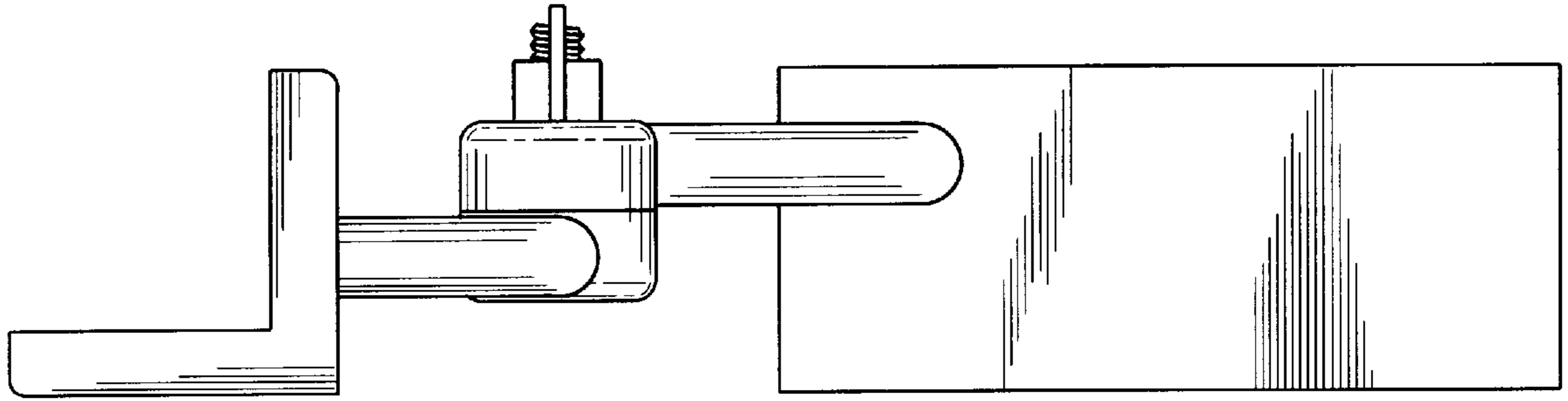
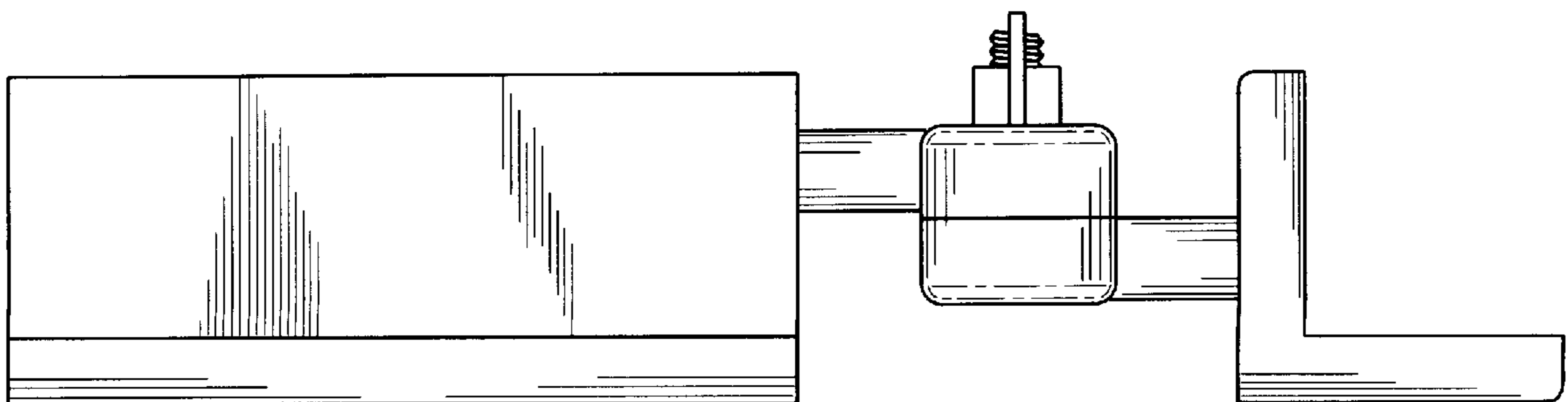


Fig. 6



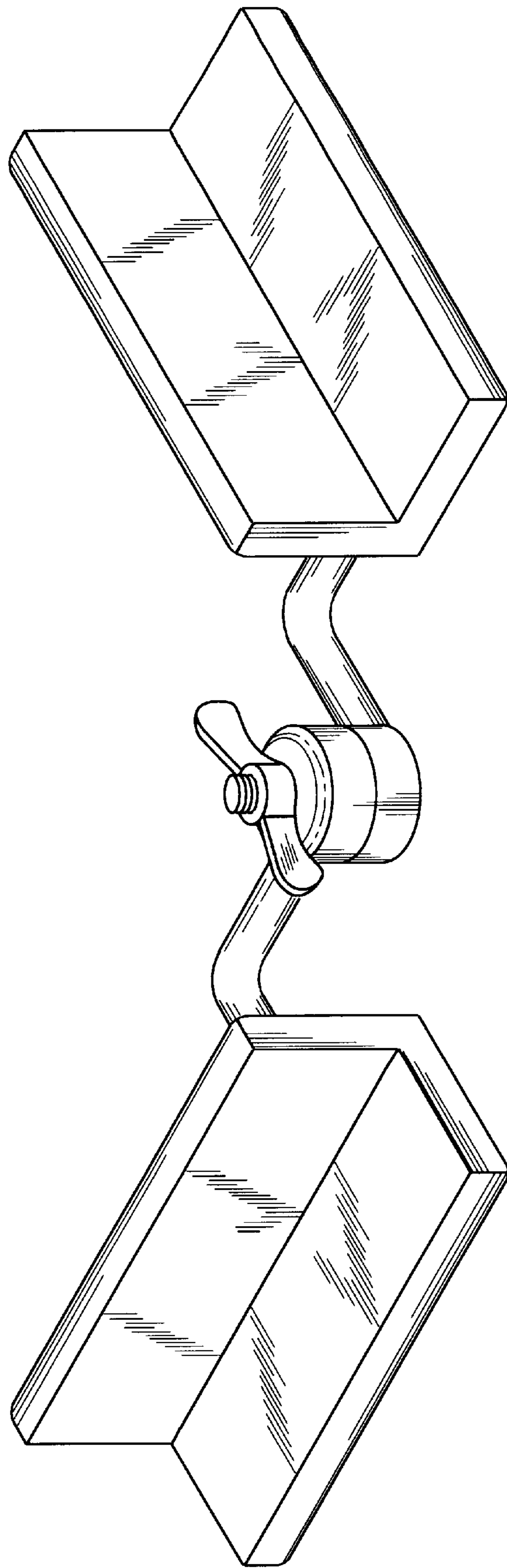


Fig. 2