



US00D428566S

United States Patent [19] Lai

[11] **Patent Number: Des. 428,566**

[45] **Date of Patent: ** Jul. 25, 2000**

[54] **THERMO FORK**

[76] Inventor: **Jung-Tsung Lai**, 5th Fl., No. 755,
Ming Tzu E. Road, Taipei, Taiwan

[**] Term: **14 Years**

[21] Appl. No.: **29/110,860**

[22] Filed: **Sep. 15, 1999**

[51] **LOC (7) Cl.** **07-06**

[52] **U.S. Cl.** **D7/683; D10/57**

[58] **Field of Search** D7/653, 683-688;
D10/53, 57; 30/142, 129, 147, 148, 150,
322, 323; 294/55.5, 61; 374/141, 155, 208-210

[56] **References Cited**

U.S. PATENT DOCUMENTS

D. 227,294 6/1973 Homola D7/664
D. 228,337 9/1973 Maynard D7/643

D. 311,307 10/1990 Cautereels et al. D7/683
D. 385,203 10/1997 Zappa D10/57
2,873,522 2/1959 Homola 30/129

Primary Examiner—Terry A. Wallace

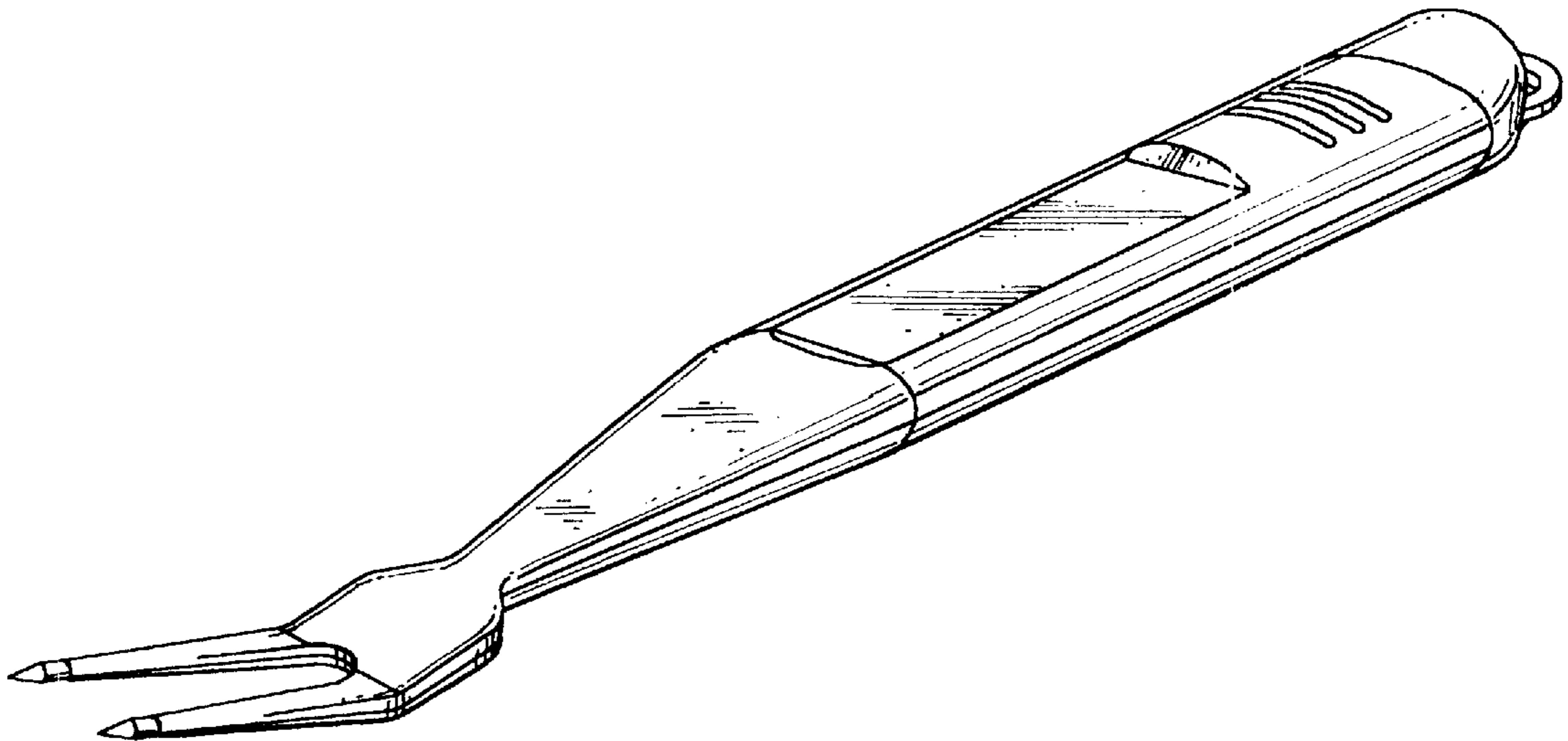
[57] **CLAIM**

The ornamental design for a thermo fork, as shown and described.

DESCRIPTION

FIG. 1 is a perspective view of a thermo fork showing my new design;
FIG. 2 is a front elevational view thereof;
FIG. 3 is a rear elevational view thereof;
FIG. 4 is a left side elevational view thereof;
FIG. 5 is a right side elevational view thereof;
FIG. 6 is a top plan view thereof; and,
FIG. 7 is a bottom plan view thereof.

1 Claim, 3 Drawing Sheets



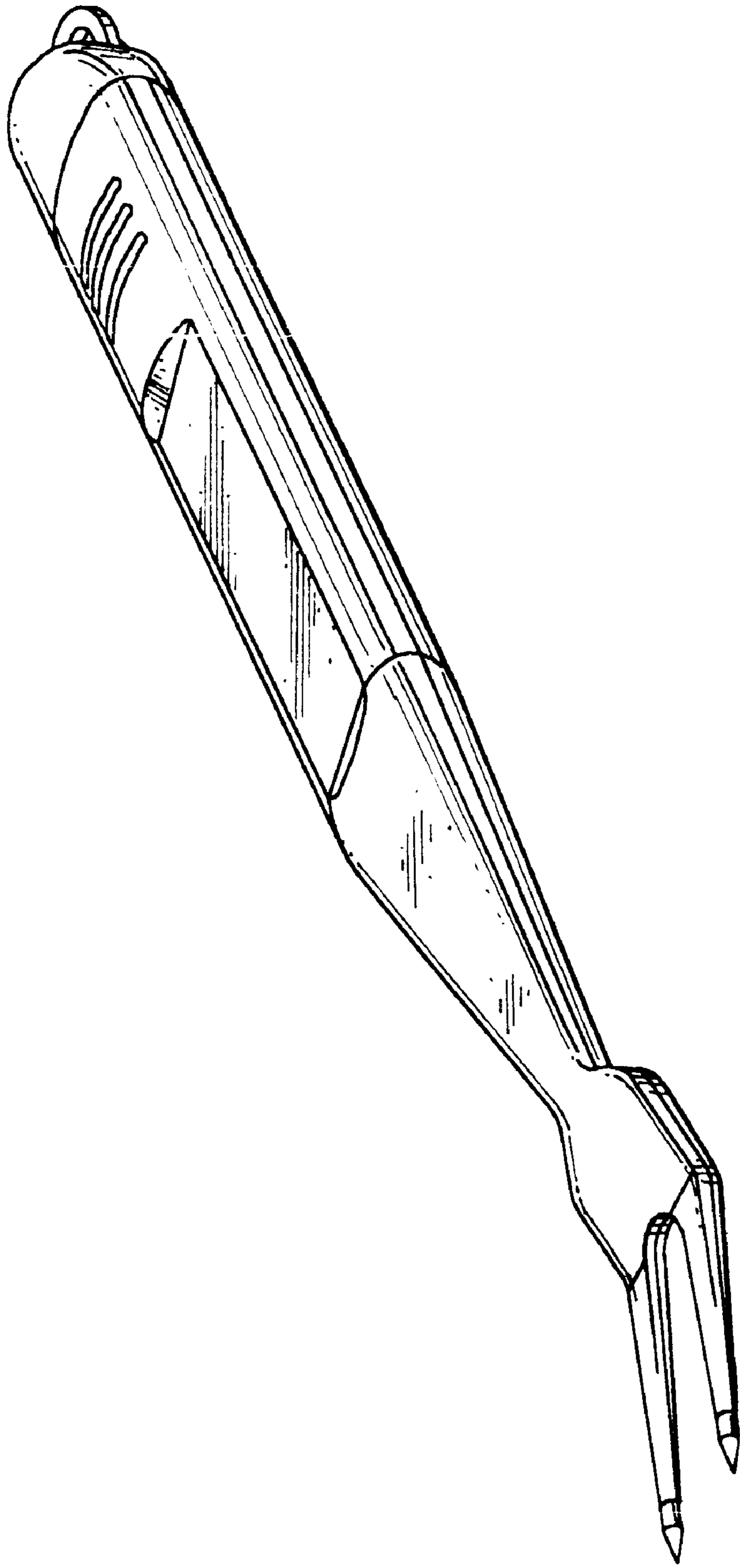


FIG. 1

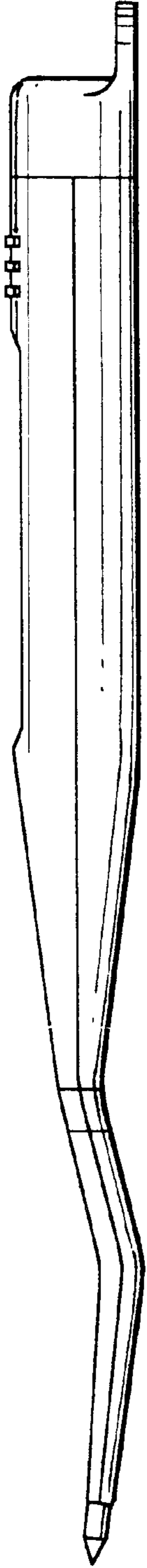


FIG. 2

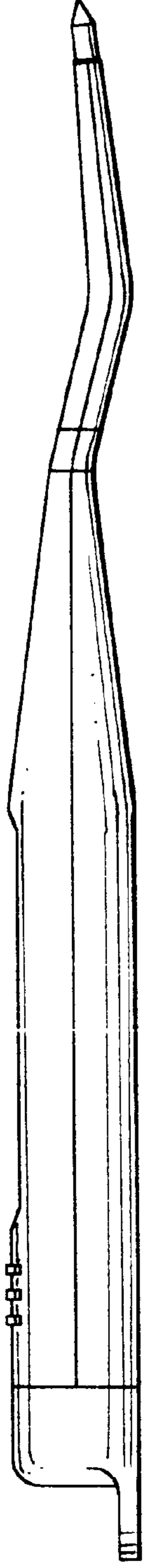


FIG. 3

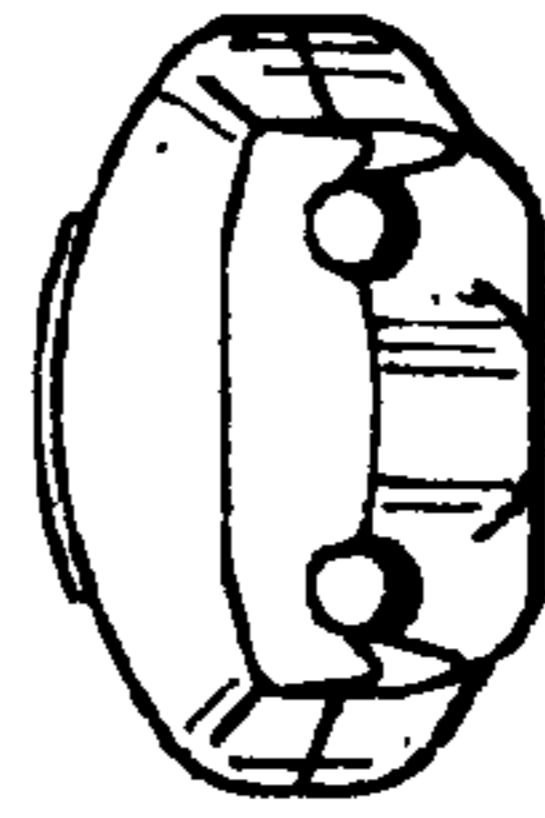


FIG. 4

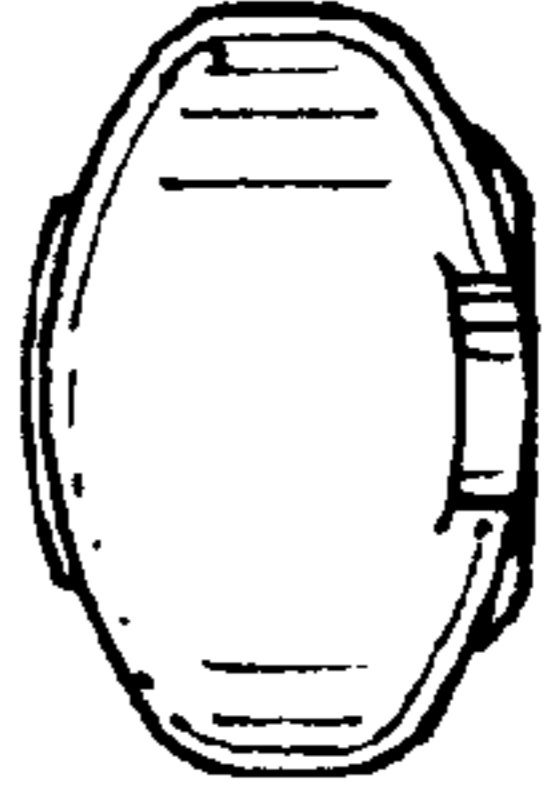


FIG. 5

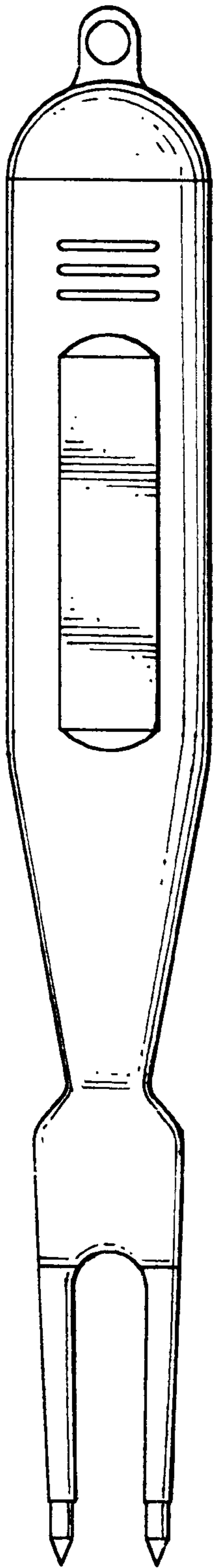


FIG. 6

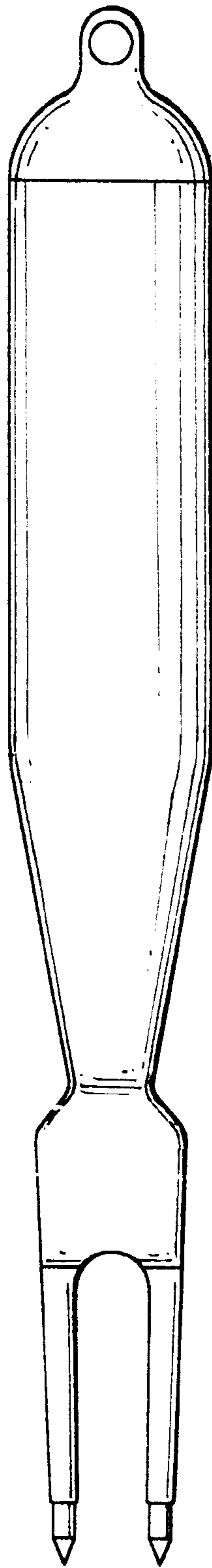


FIG. 7