



US00D428561S

United States Patent [19] Johnson

[11] **Patent Number: Des. 428,561**
[45] **Date of Patent: ** Jul. 25, 2000**

[54] **COOKING GRILL**

[75] Inventor: **David A. Johnson**, Minneapolis, Minn.

[73] Assignee: **David Johnson**, Minneapolis, Minn.

[**] Term: **14 Years**

[21] Appl. No.: **29/086,019**

[22] Filed: **Apr. 2, 1998**

[51] **LOC (7) Cl.** **07-02**

[52] **U.S. Cl.** **D7/335**

[58] **Field of Search** D7/332-337, 402,
D7/403, 404, 406, 409; 126/2, 4, 9 R, 25 R,
25 A, 25 AA, 29, 38, 39 R, 40, 41 R, 58-59;
99/481-482, 419, 421 R

[56] **References Cited**

U.S. PATENT DOCUMENTS

D. 259,693 6/1981 Ottmar D7/109
D. 262,178 12/1981 Barber D7/109

D. 263,194 3/1982 Schwartz D7/109
D. 313,332 1/1991 Johnson D7/335
D. 386,936 12/1997 Stone et al. D7/332

Primary Examiner—Ruth McInroy
Attorney, Agent, or Firm—Joseph R. Kelly; Westman,
Champlin & Kelly P.A.

[57] **CLAIM**

The ornamental design for a cooking grill, as shown and described.

DESCRIPTION

FIG. 1 is a perspective view of a cooking grill showing my new design;

FIG. 2 is a front elevational view thereof;

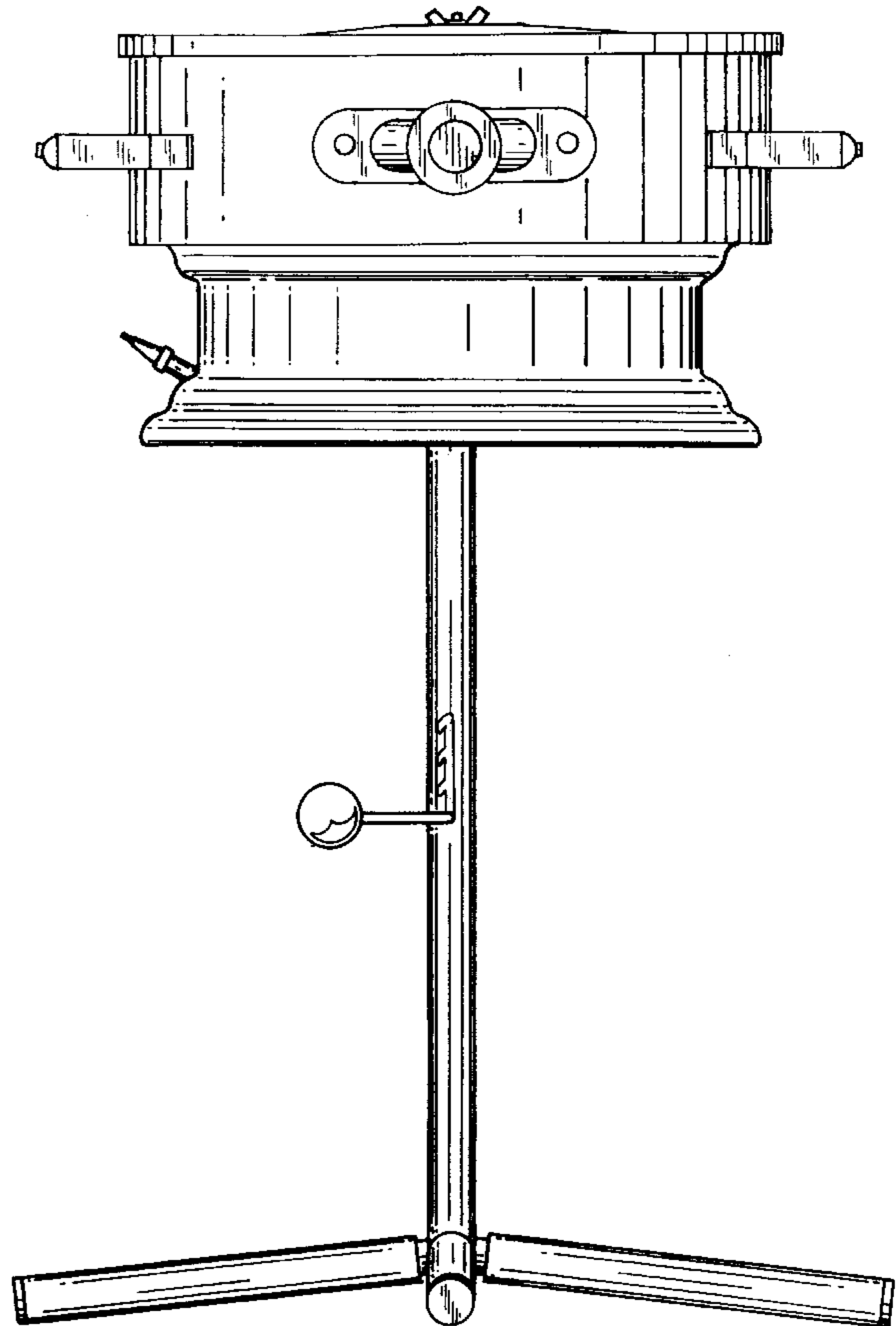
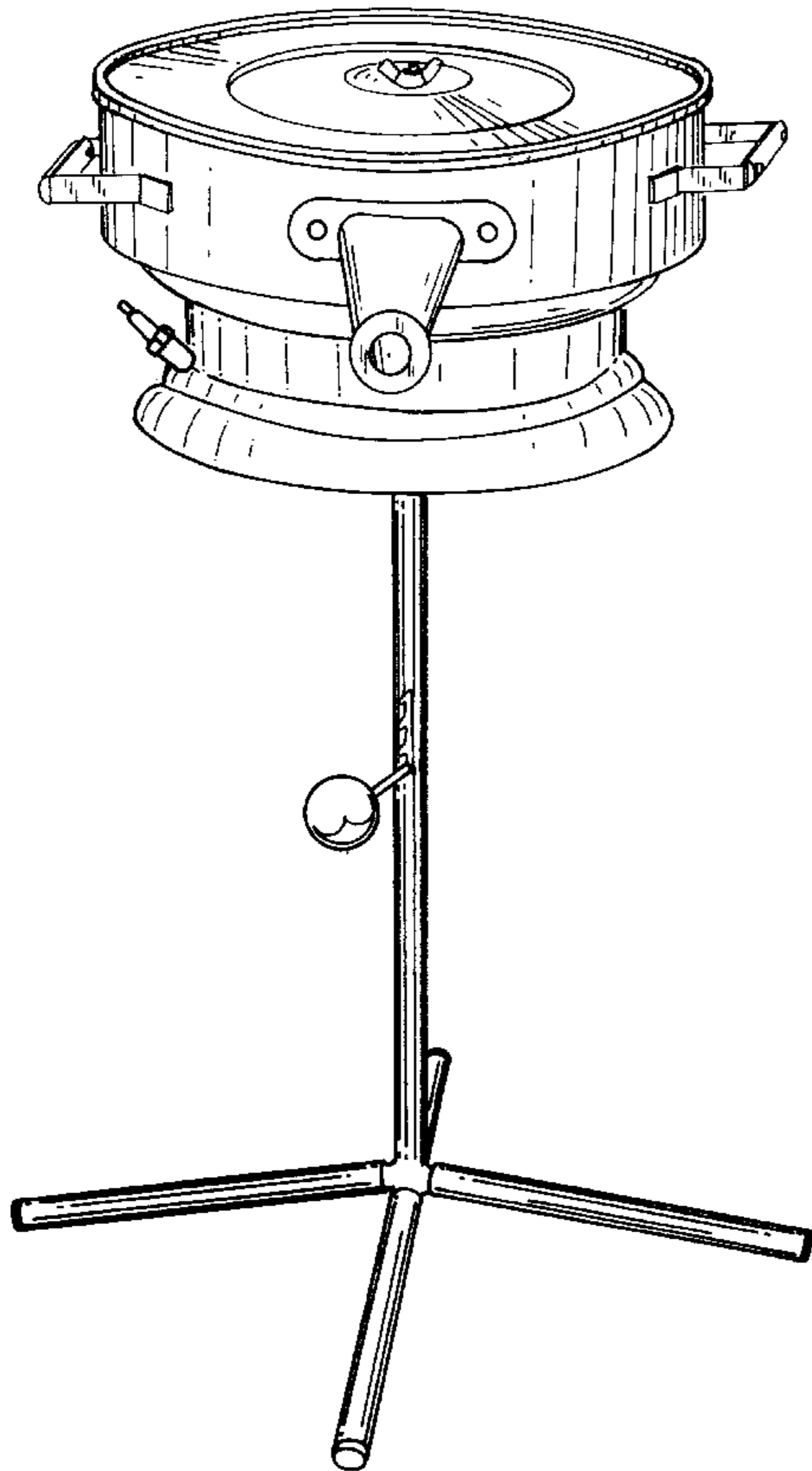
FIG. 3 is a rear elevational view thereof;

FIG. 4 is a side elevational view thereof;

FIG. 5 is a top plan view thereof; and,

FIG. 6 is a bottom plan view thereof.

1 Claim, 6 Drawing Sheets



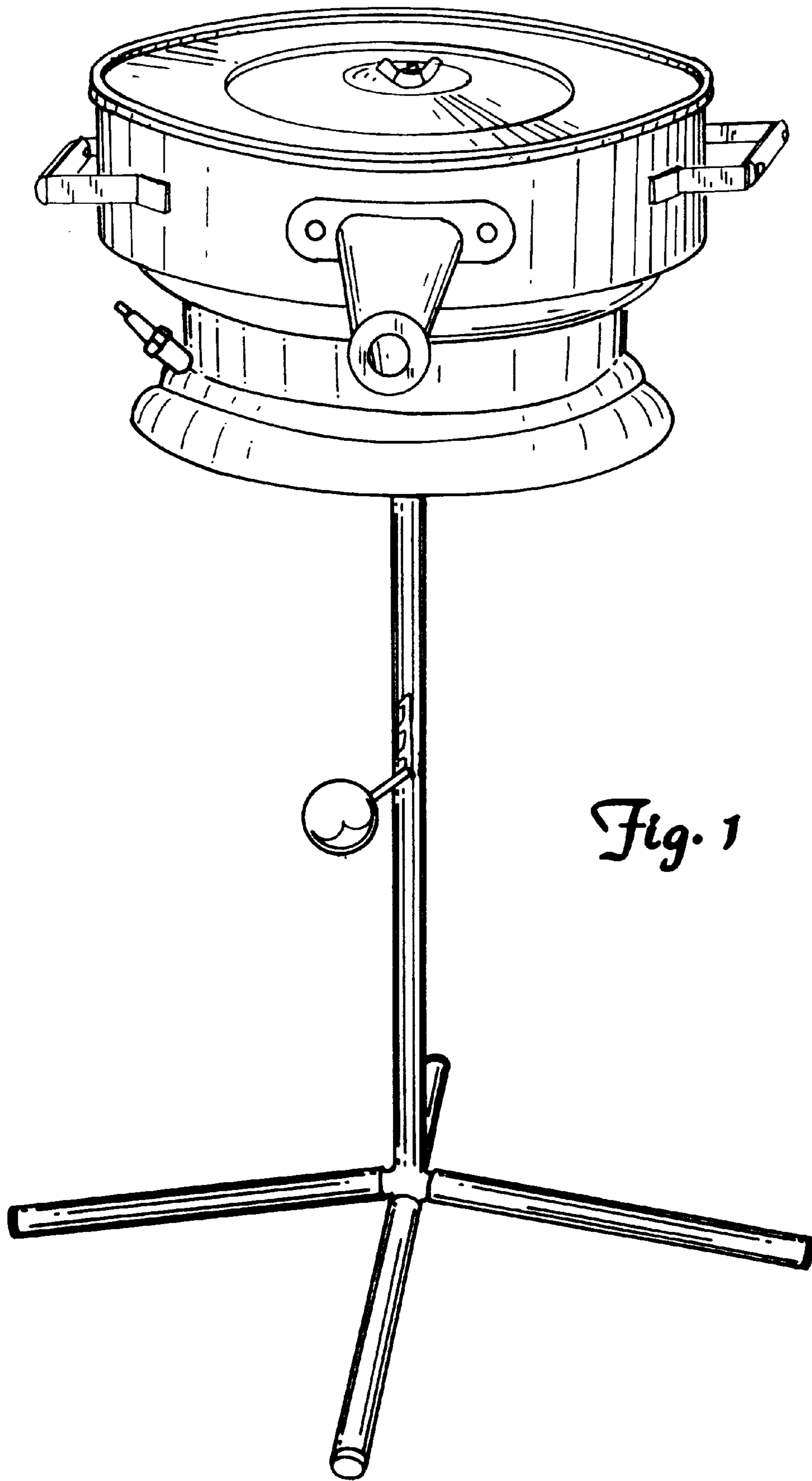


Fig. 1

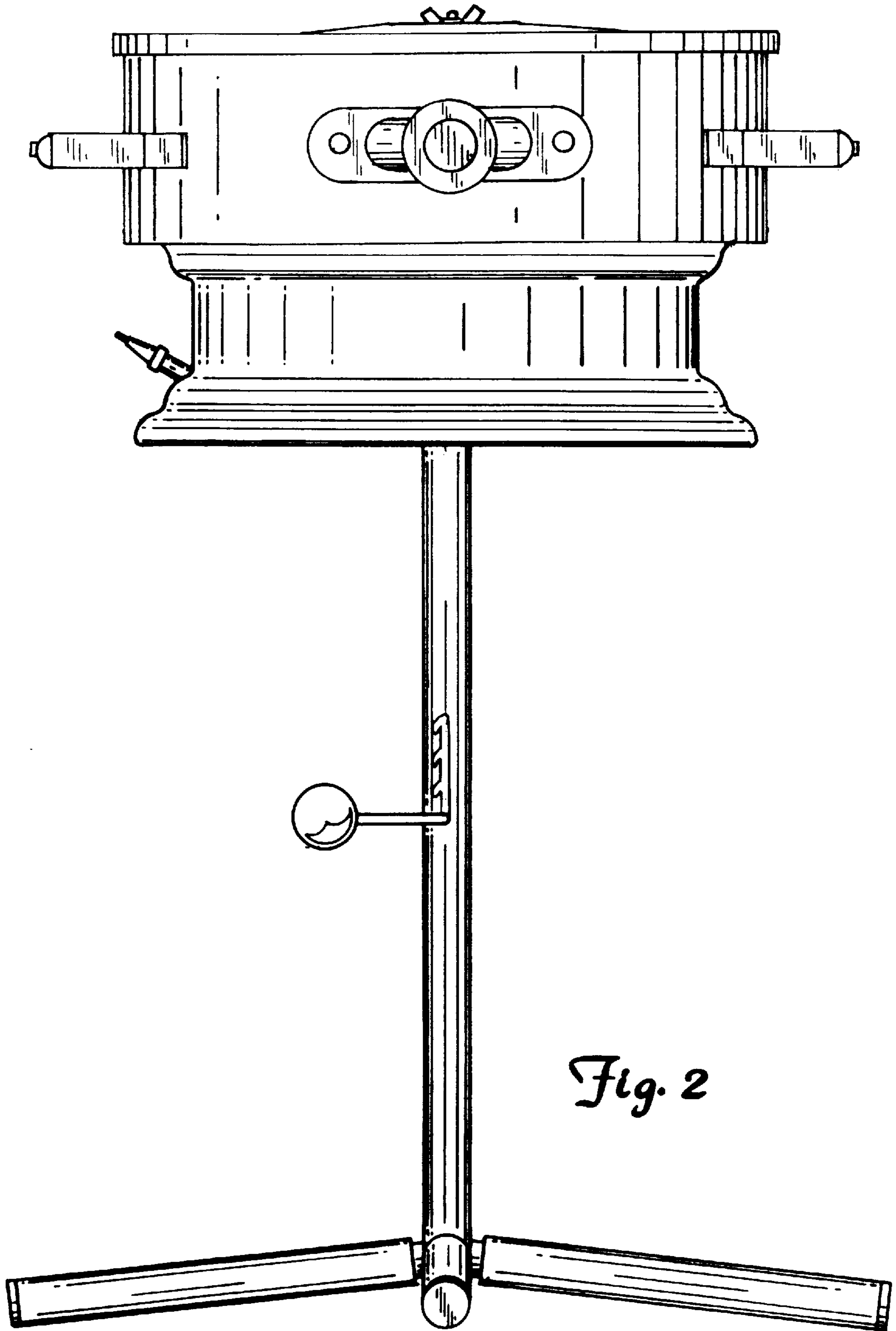
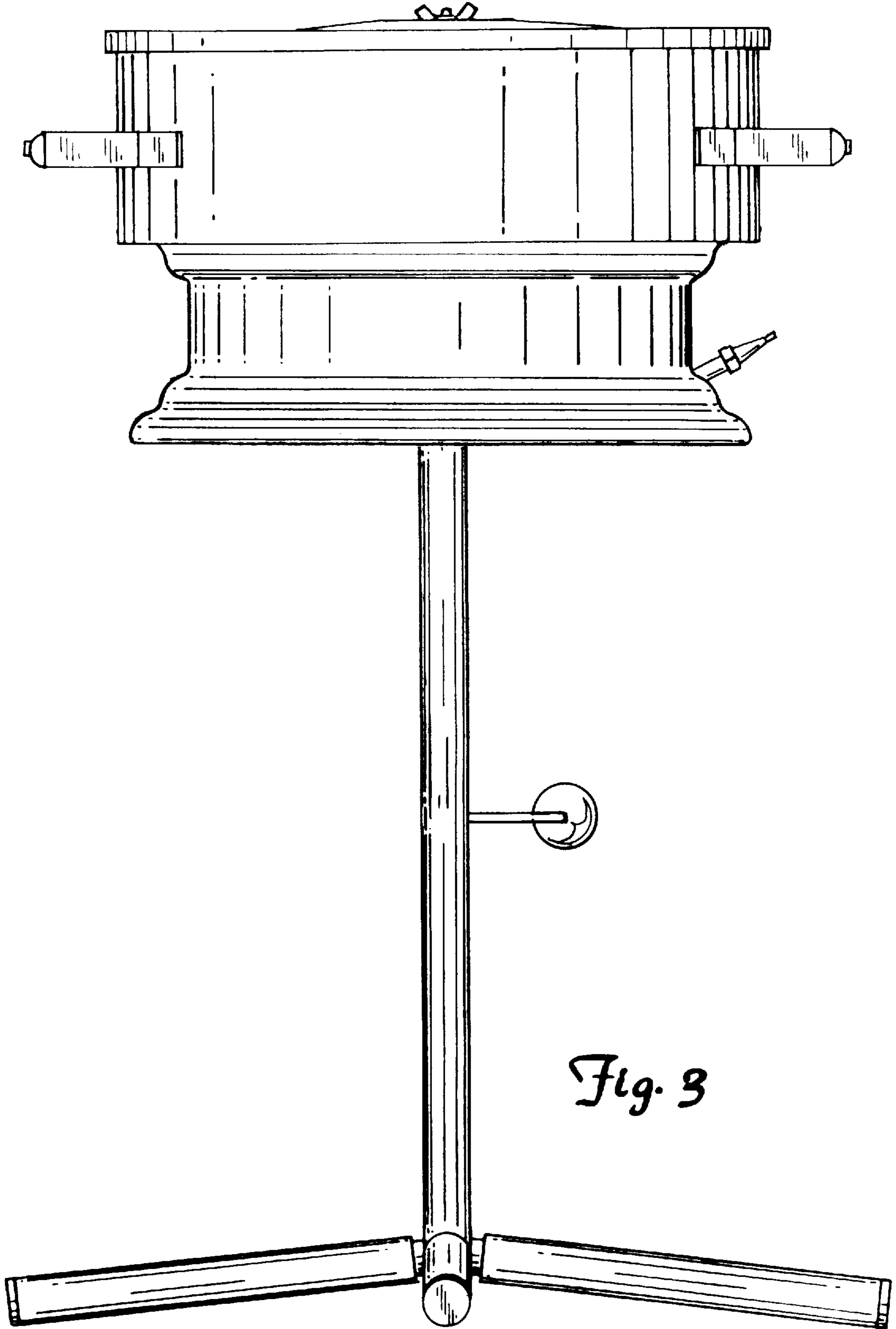


Fig. 2



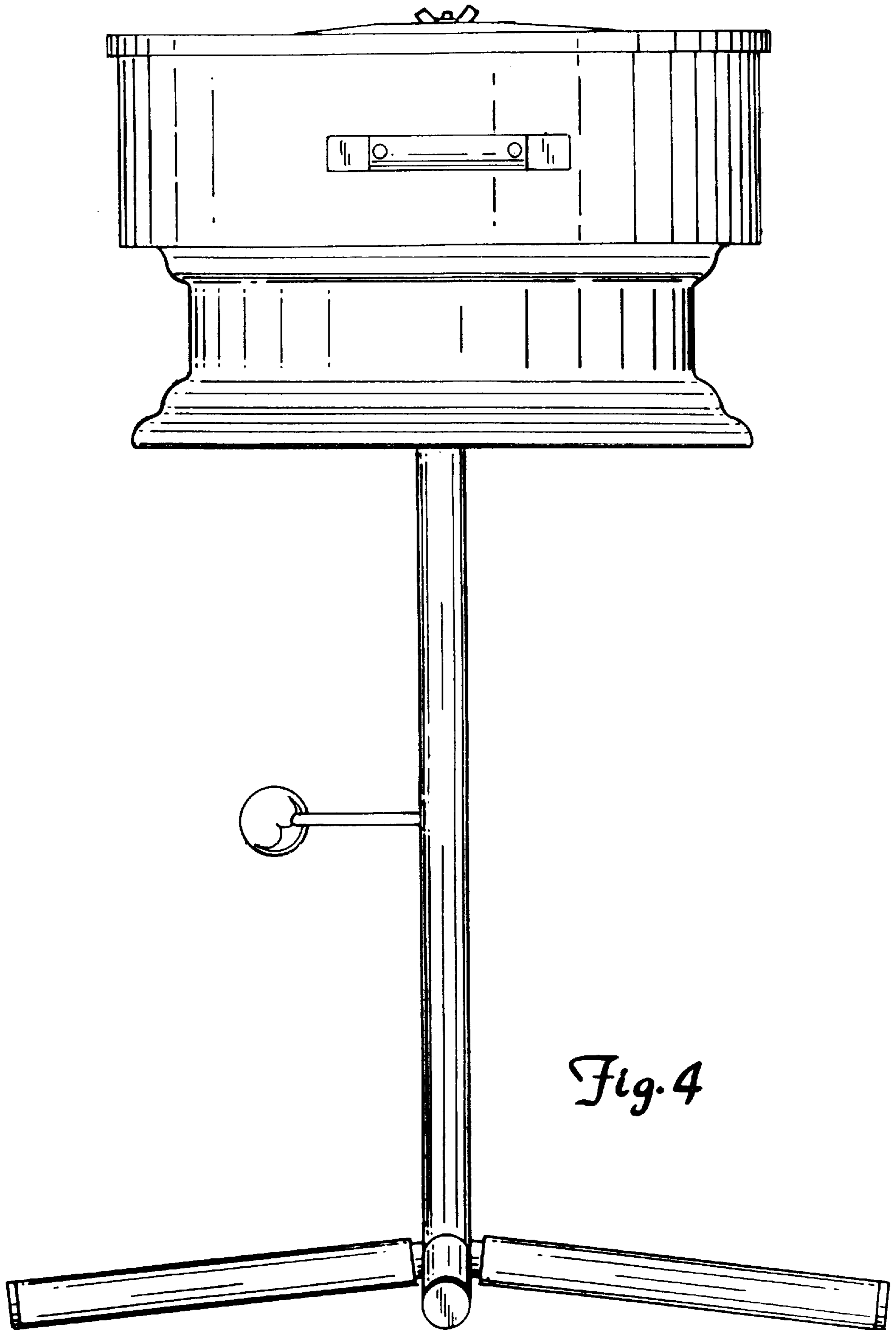


Fig. 4

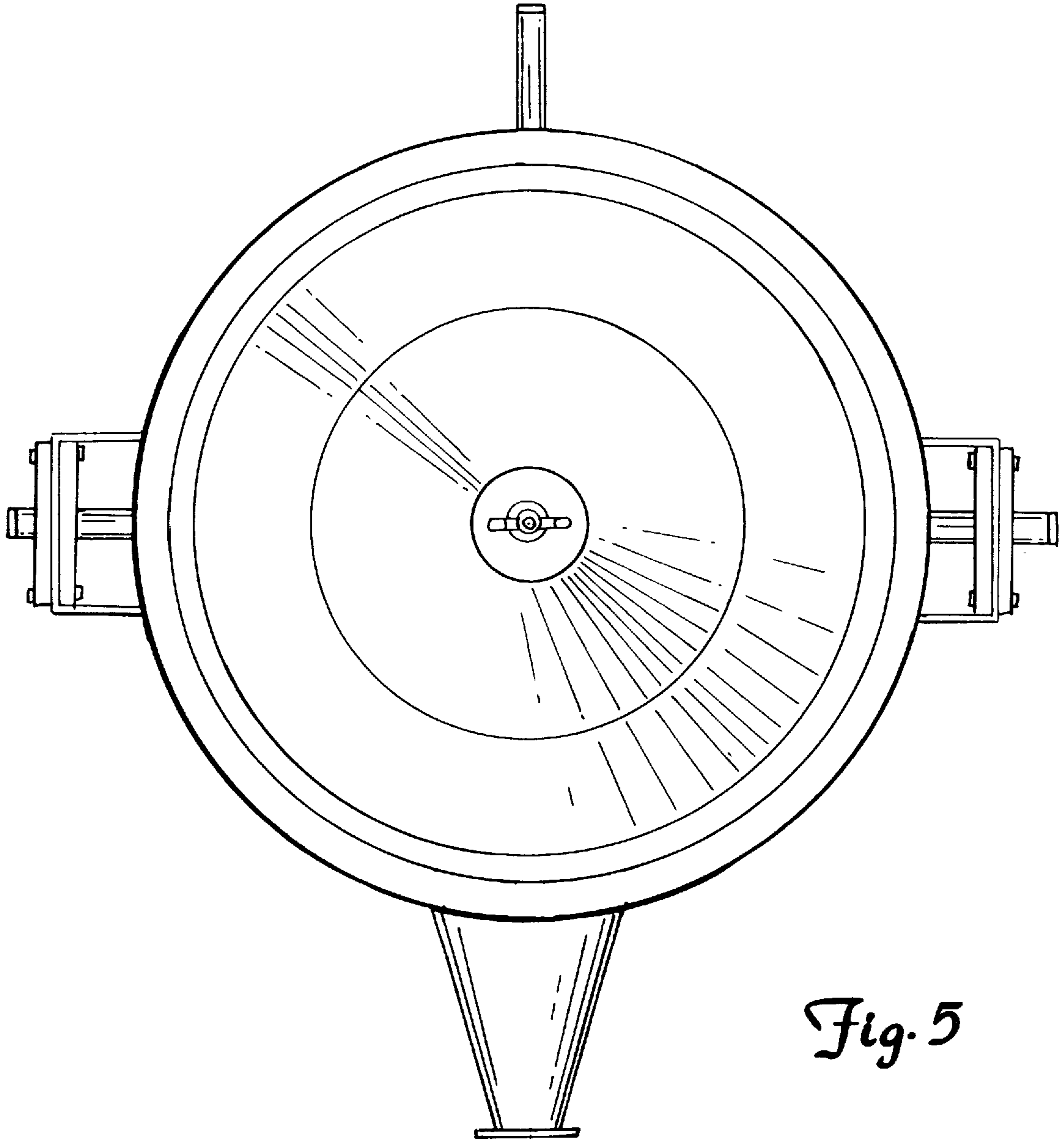


Fig. 5

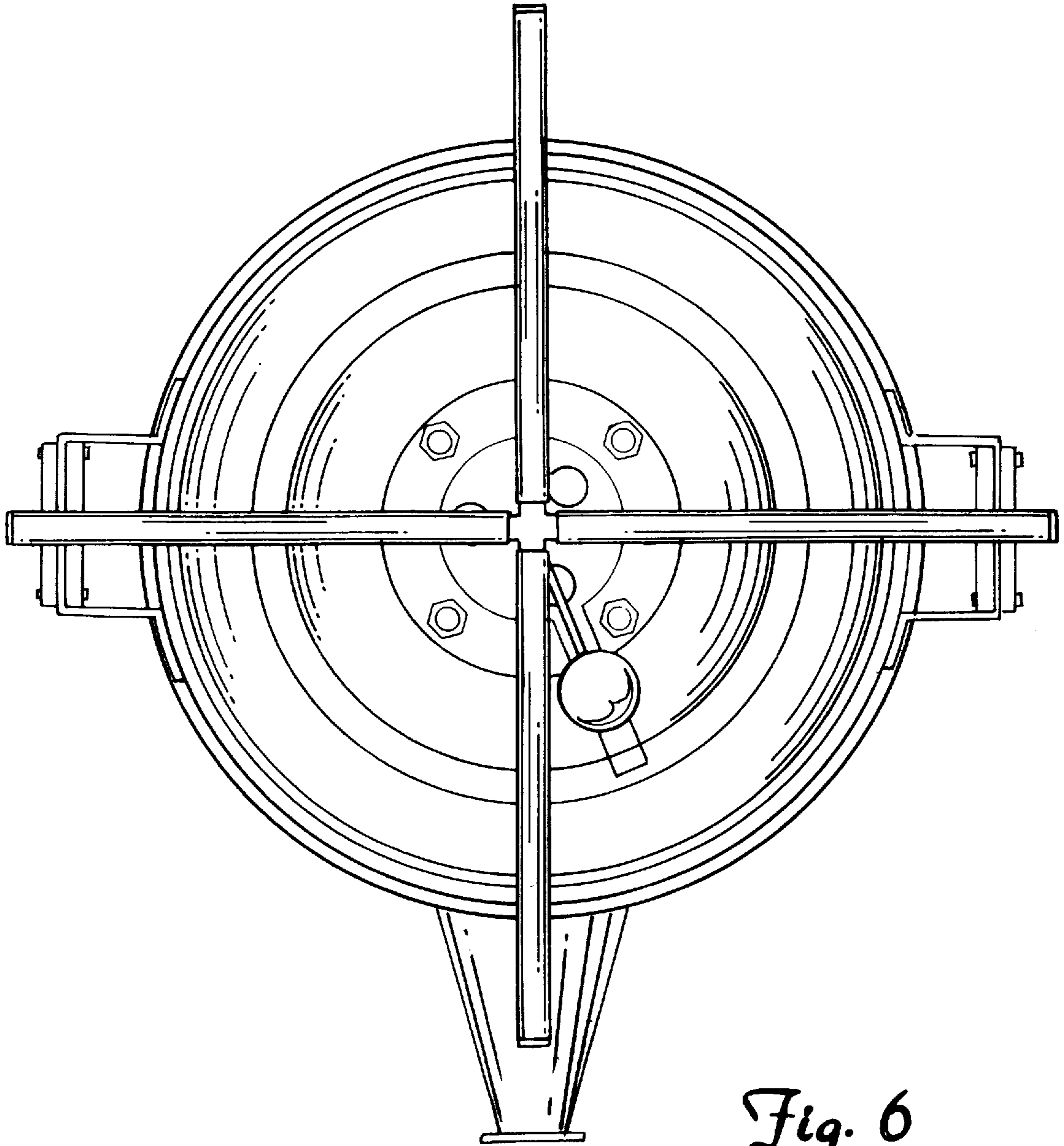


Fig. 6