



US00D428560S

# United States Patent [19]

Patel et al.

[11] Patent Number: **Des. 428,560**

[45] Date of Patent: **\*\* Jul. 25, 2000**

[54] **WIRE SHOWER BASKET**  
[75] Inventors: **Shailesh Patel**, Glenview; **Lawrence Hauser**, Chicago, both of Ill.

[73] Assignee: **Home Products International, Inc.**, Chicago, Ill.

[\*\*] Term: **14 Years**

[21] Appl. No.: **29/118,010**

[22] Filed: **Feb. 2, 2000**

[51] **LOC (7) Cl.** ..... **23-02**

[52] **U.S. Cl.** ..... **D6/525**

[58] **Field of Search** ..... D6/524, 525, 566, D6/569, 570; 211/13.1, 86, 87, 106, 113, 119, 126.1, 134, 181.1; 248/206.3, 309.1

[56] **References Cited**

**U.S. PATENT DOCUMENTS**

- D. 320,134 9/1991 Emery ..... D6/525
- D. 376,942 12/1996 Munoz ..... D6/525

- D. 377,286 1/1997 Munoz ..... D6/525
- D. 387,595 12/1997 Whang ..... D6/525
- D. 400,745 11/1998 France ..... D6/525
- D. 417,809 12/1999 Hofman ..... D6/525
- 5,039,046 8/1991 Brewster ..... 249/206.3

*Primary Examiner*—Brian N. Vinson  
*Attorney, Agent, or Firm*—Rockey, Milnamow & Katz, Ltd.

[57] **CLAIM**

The ornamental design for a wire shower basket, as shown and described.

**DESCRIPTION**

FIG. 1 is a perspective view of a wire shower basket showing our new design, the suction cups shown in phantom lines not forming part of the invention; FIG. 2 is a front elevational view thereof; FIG. 3 is a right side elevational view thereof; FIG. 4 is a top plan view thereof; FIG. 5 is a bottom plan view thereof; FIG. 6 is a left side elevational view thereof; and, FIG. 7 is a rear elevational view thereof.

**1 Claim, 4 Drawing Sheets**

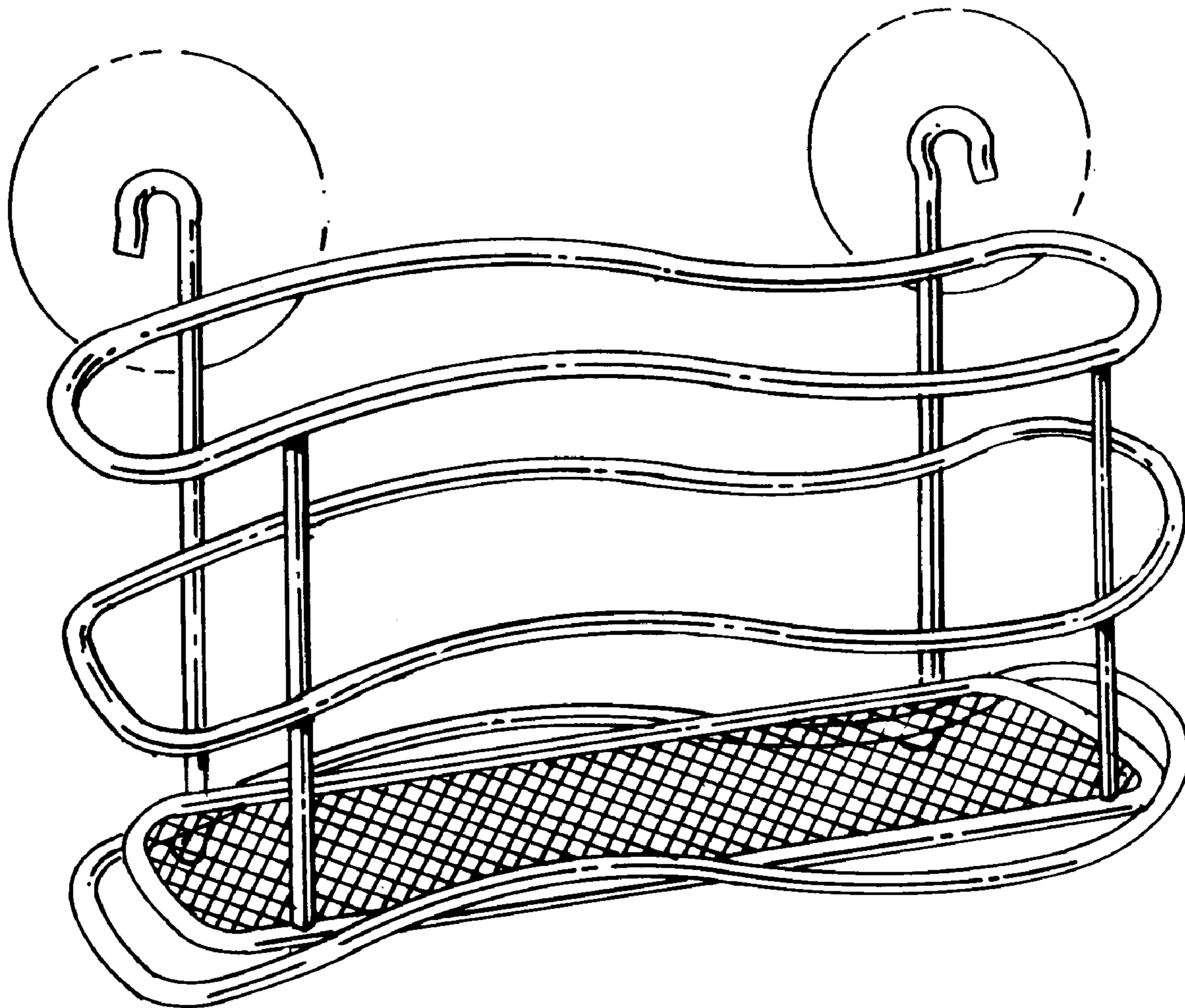


FIG. 1

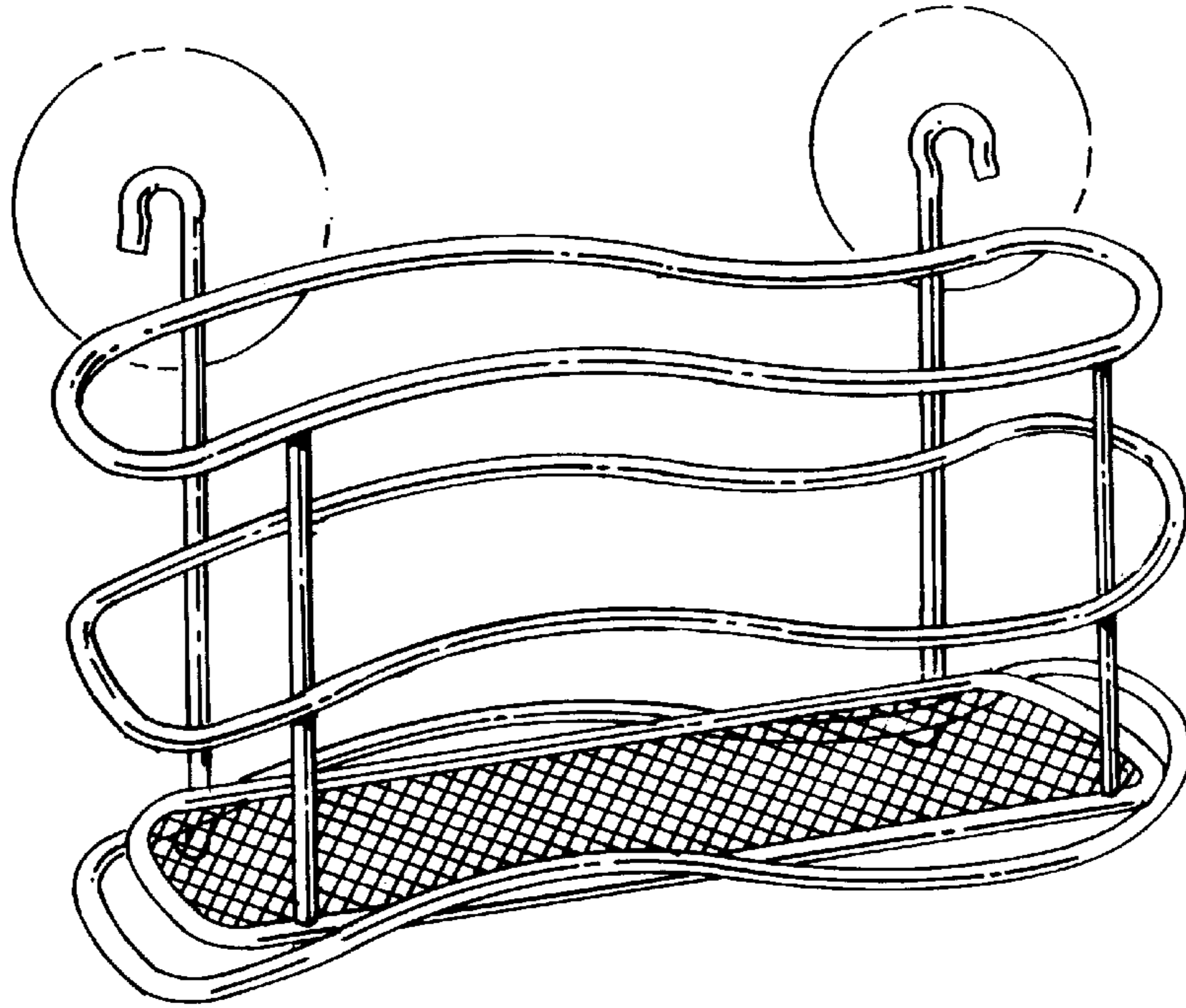


FIG. 2

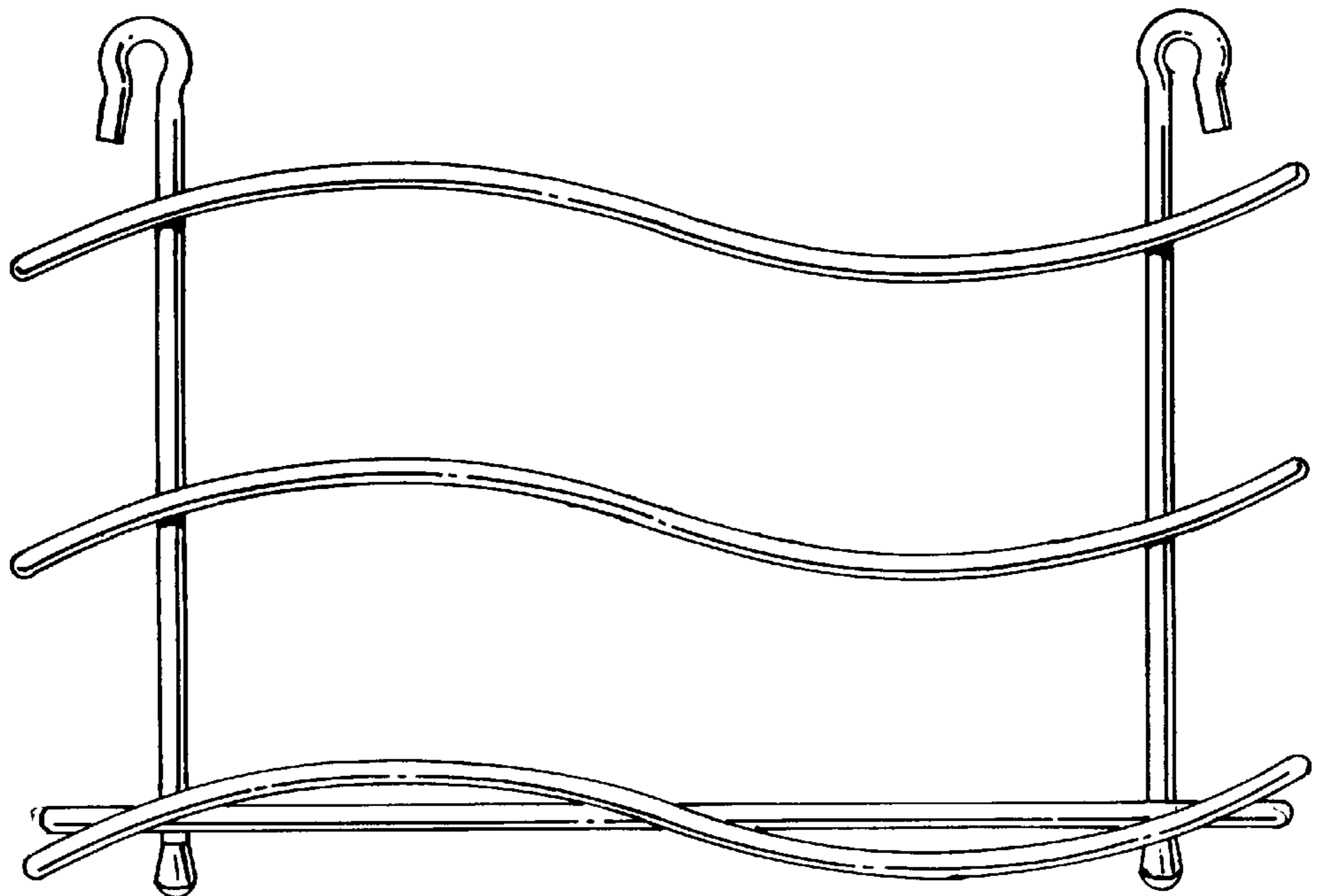


FIG. 3

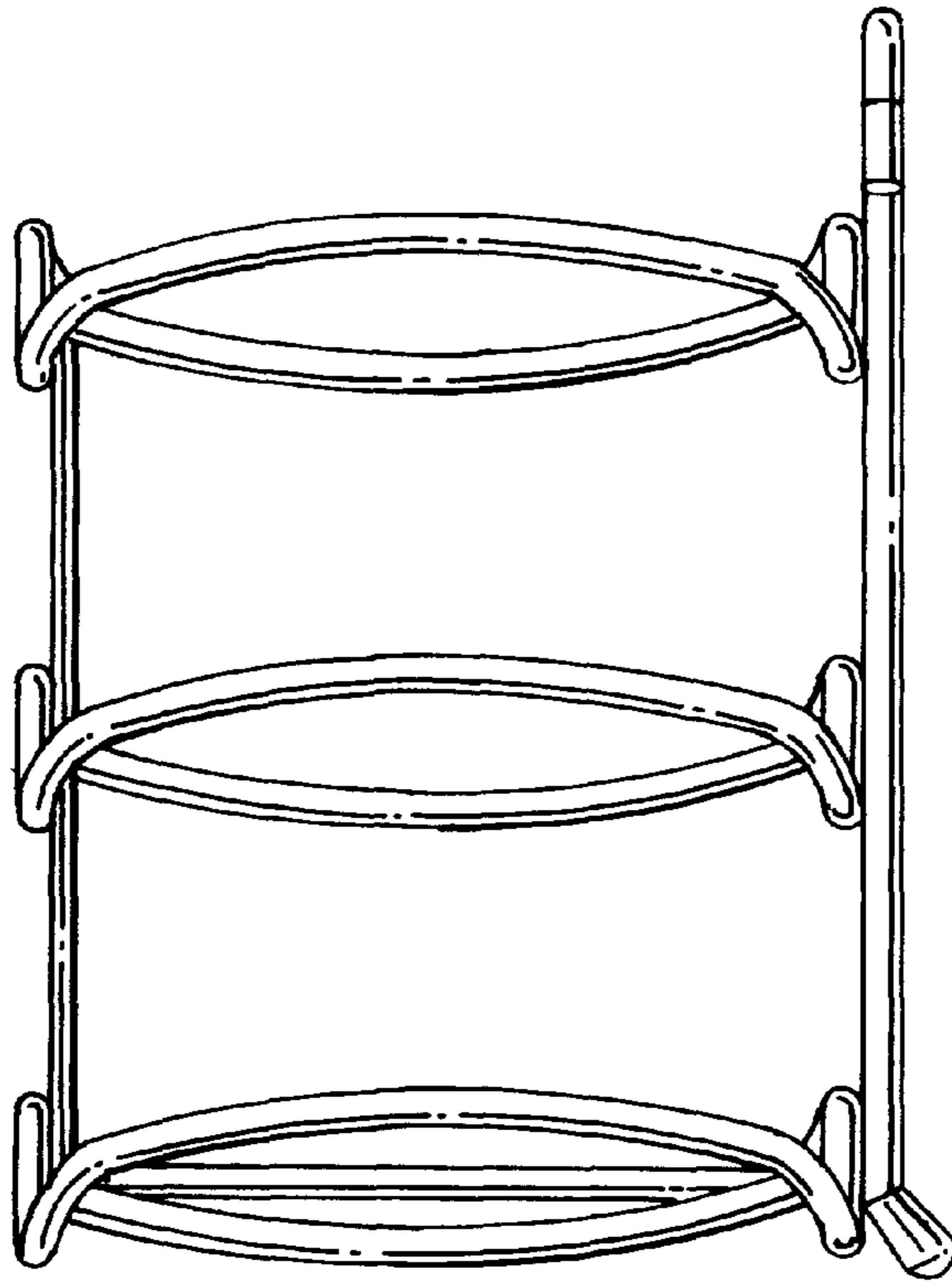


FIG. 4

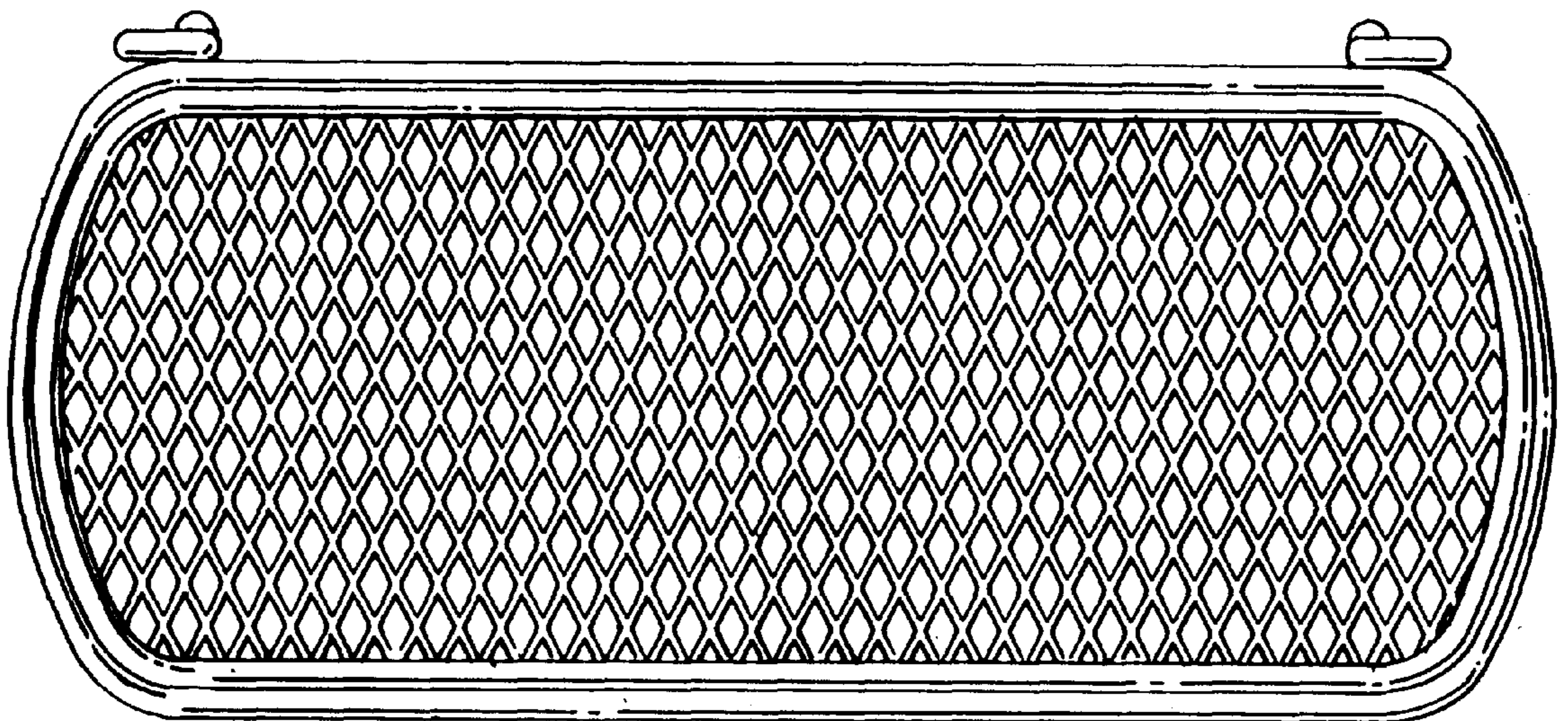


FIG. 5

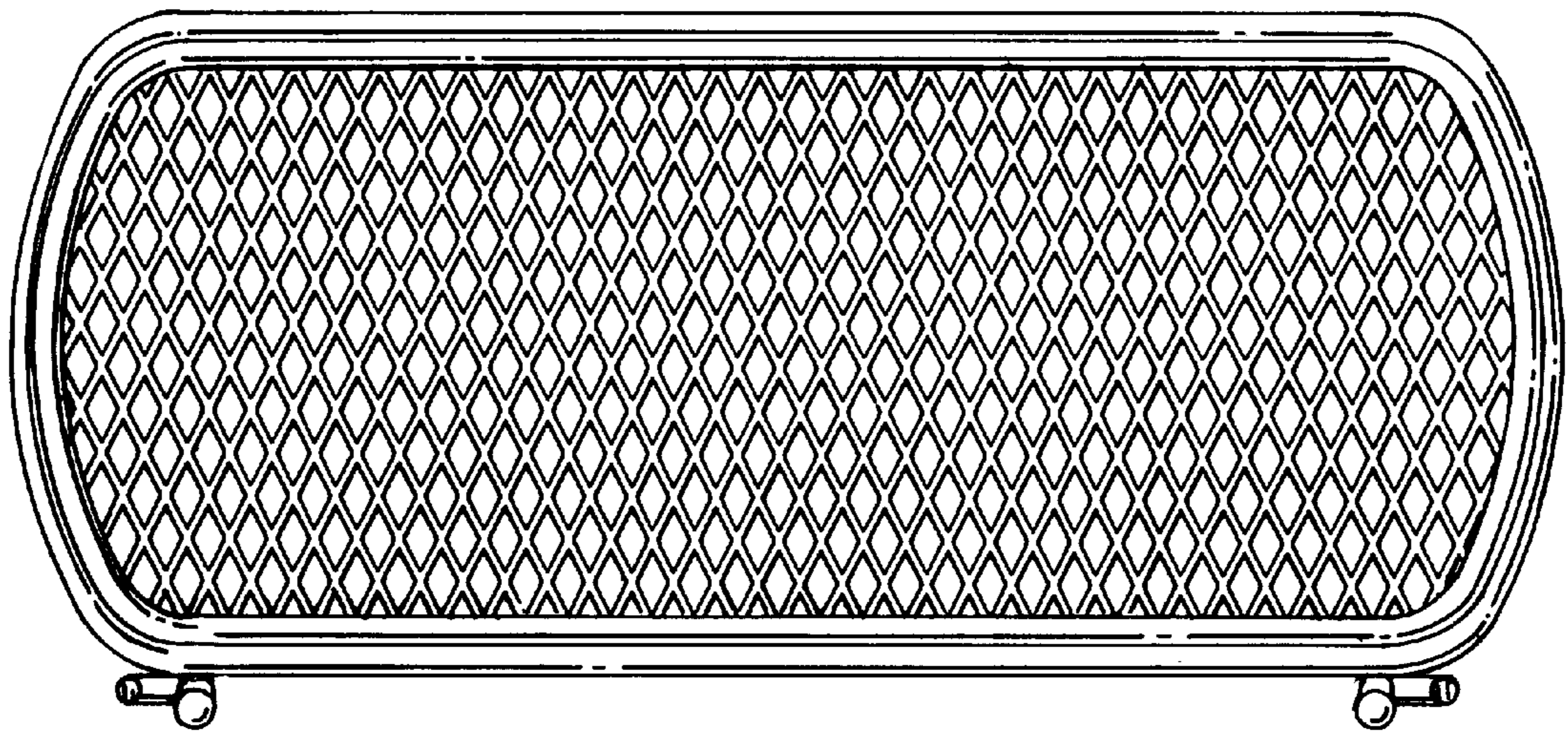


FIG. 6

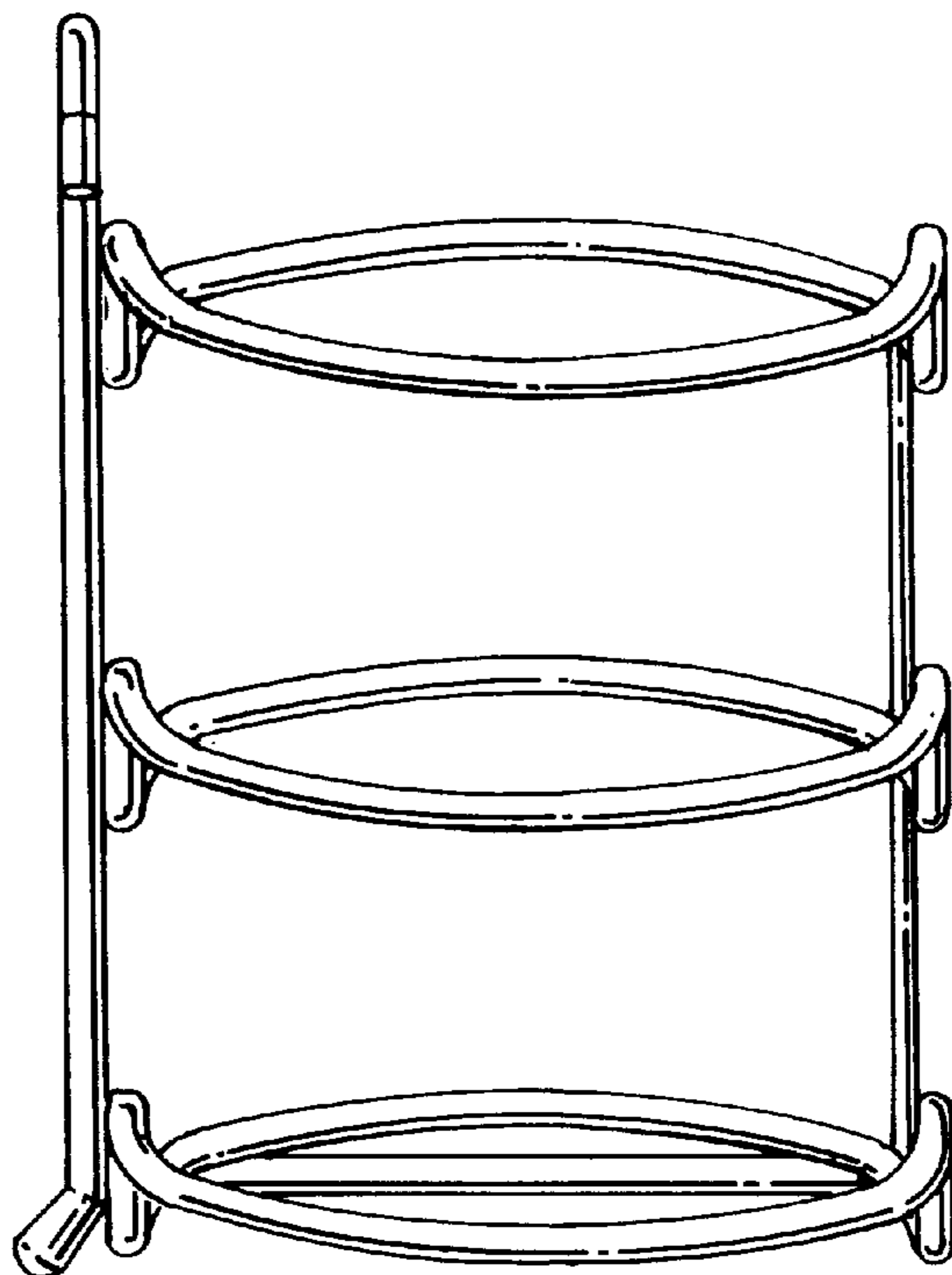


FIG. 7

