



US00D428557S

United States Patent [19] Chang

[11] **Patent Number: Des. 428,557**
[45] **Date of Patent: ** Jul. 25, 2000**

[54] **OFFICE DESK**

D. 371,699 7/1996 Muller-Deisig et al. D6/482
D. 390,376 2/1998 Chang D6/424

[76] Inventor: **Chien-Kuo Chang**, Fl. 10-2, No. 447,
Sec. 3, Wen-Hsin Rd., Taichung, Taiwan

Primary Examiner—Janice E. Seeger
Attorney, Agent, or Firm—Rosenberg, Klein & Lee

[**] Term: **14 Years**

[57] **CLAIM**

[21] Appl. No.: **29/105,420**

The ornamental design for office desk, as shown and described.

[22] Filed: **May 24, 1999**

DESCRIPTION

[51] **LOC (7) Cl.** **06-04**

[52] **U.S. Cl.** **D6/422; D6/426**

[58] **Field of Search** D6/480-489, 422-428,
D6/495, 511; 108/153.1, 155, 156, 161,
50.01, 50.02, 64, 65, 59, 66; 312/194-196,
208.1

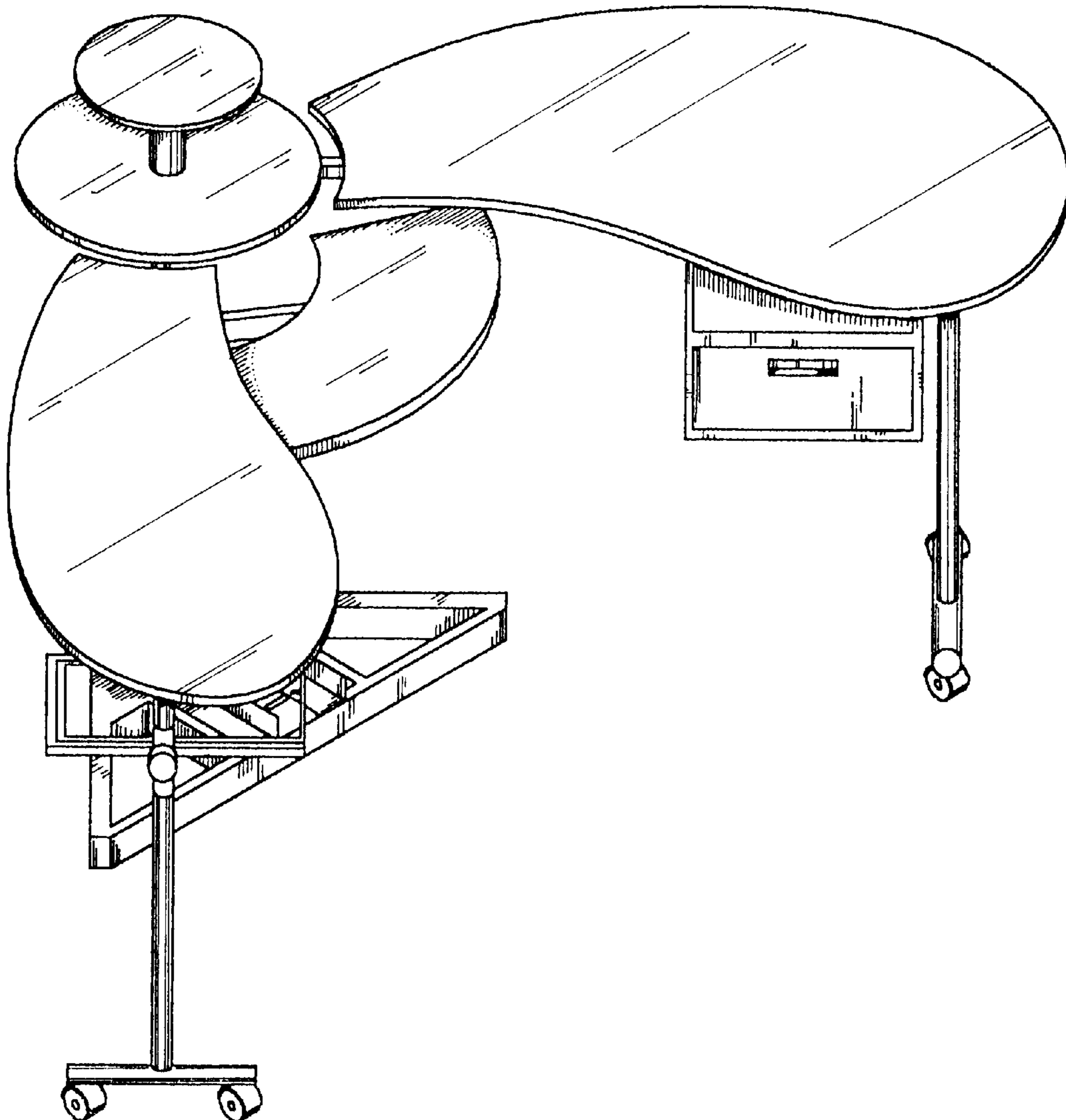
FIG. 1 is a perspective view of office desk showing my new design;
FIG. 2 is a front elevational view thereof;
FIG. 3 is a rear elevational view thereof;
FIG. 4 is a left side elevational view thereof;
FIG. 5 is a right side elevational view thereof;
FIG. 6 is a top side elevational view thereof; and,
FIG. 7 is a bottom side elevational view thereof.

[56] **References Cited**

U.S. PATENT DOCUMENTS

D. 334,489 4/1993 Greutmann et al. D6/423
D. 346,912 5/1994 Mezger D6/423

1 Claim, 6 Drawing Sheets



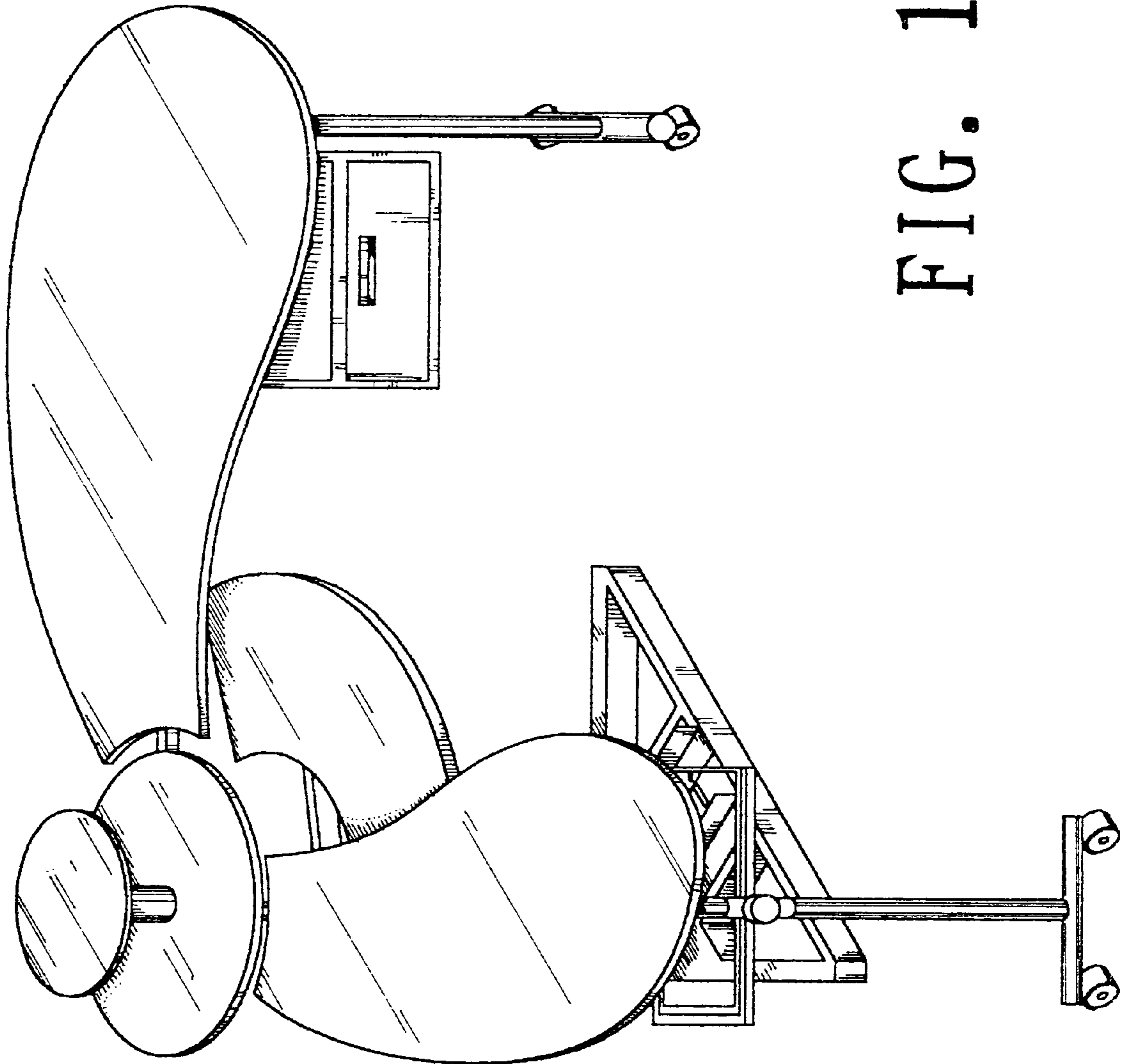


FIG. 1

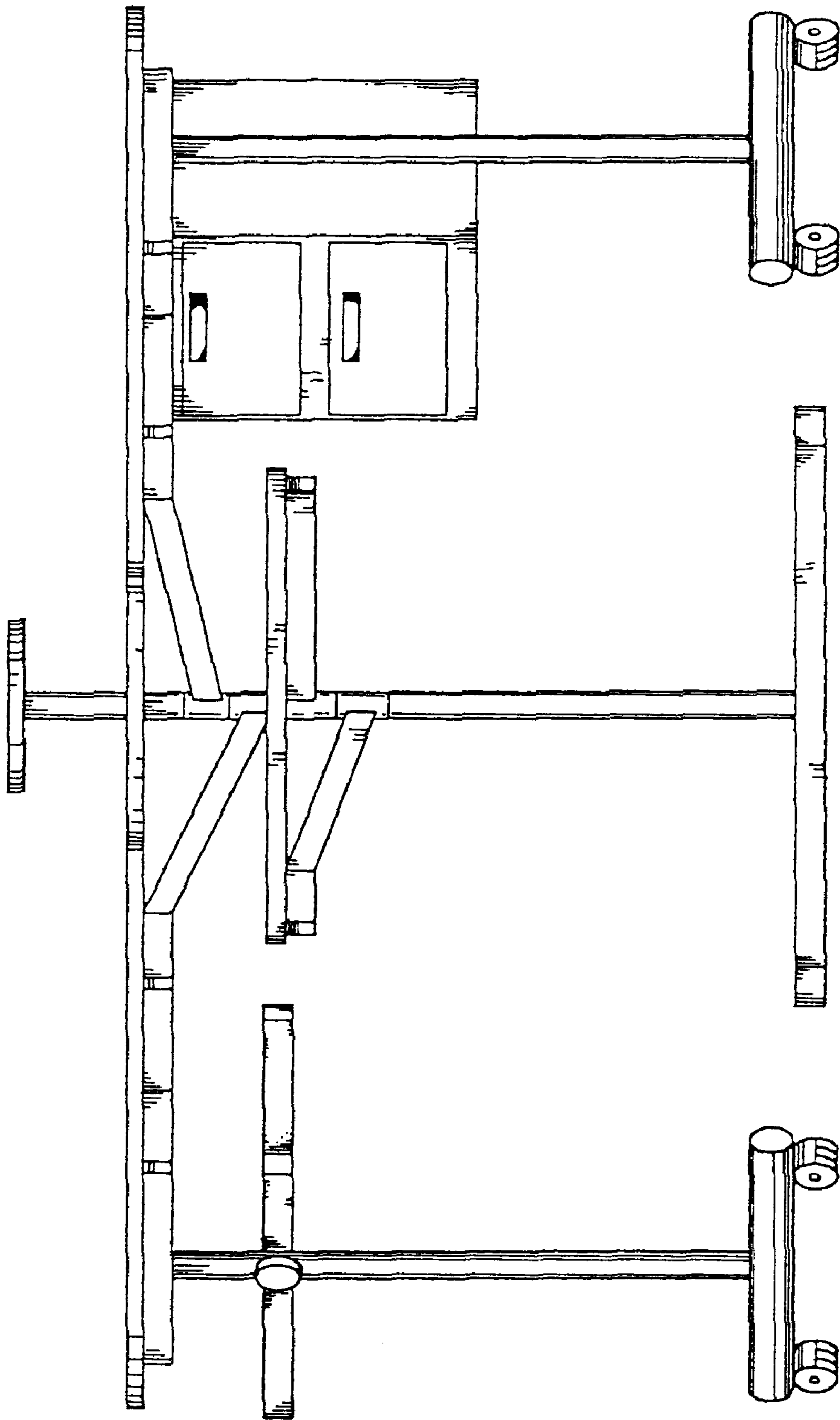


FIG. 2

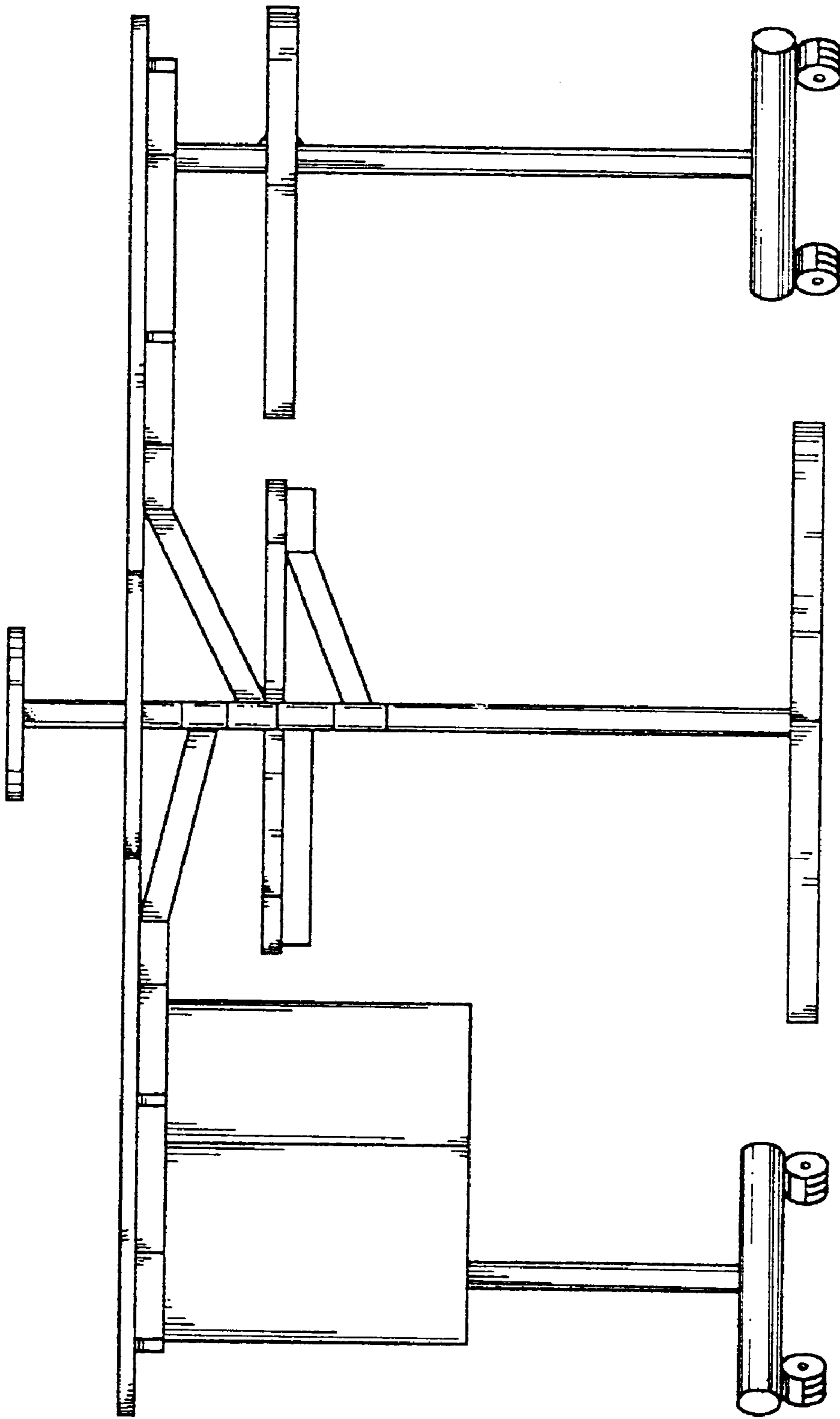


FIG. 3

FIG. 4

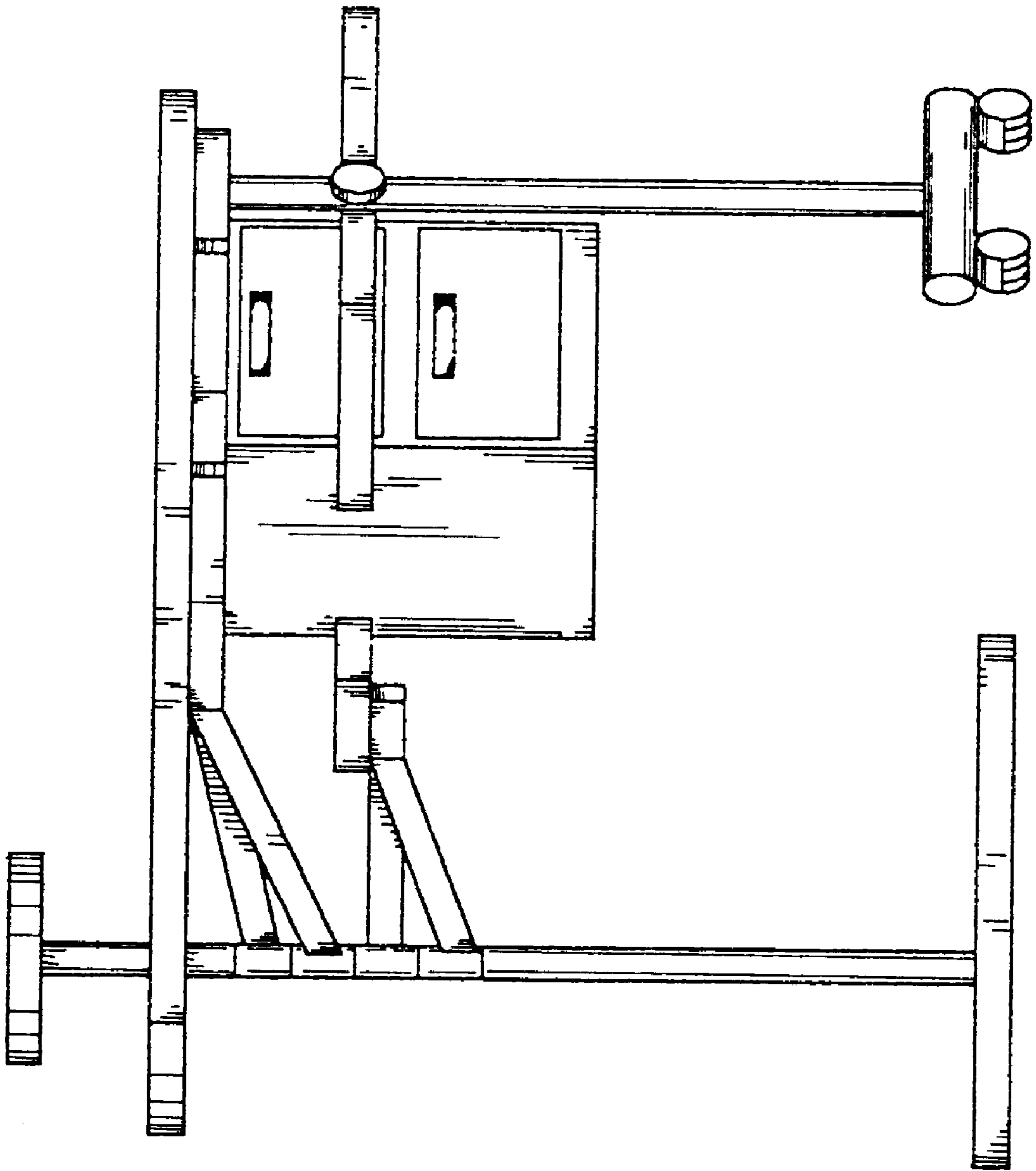
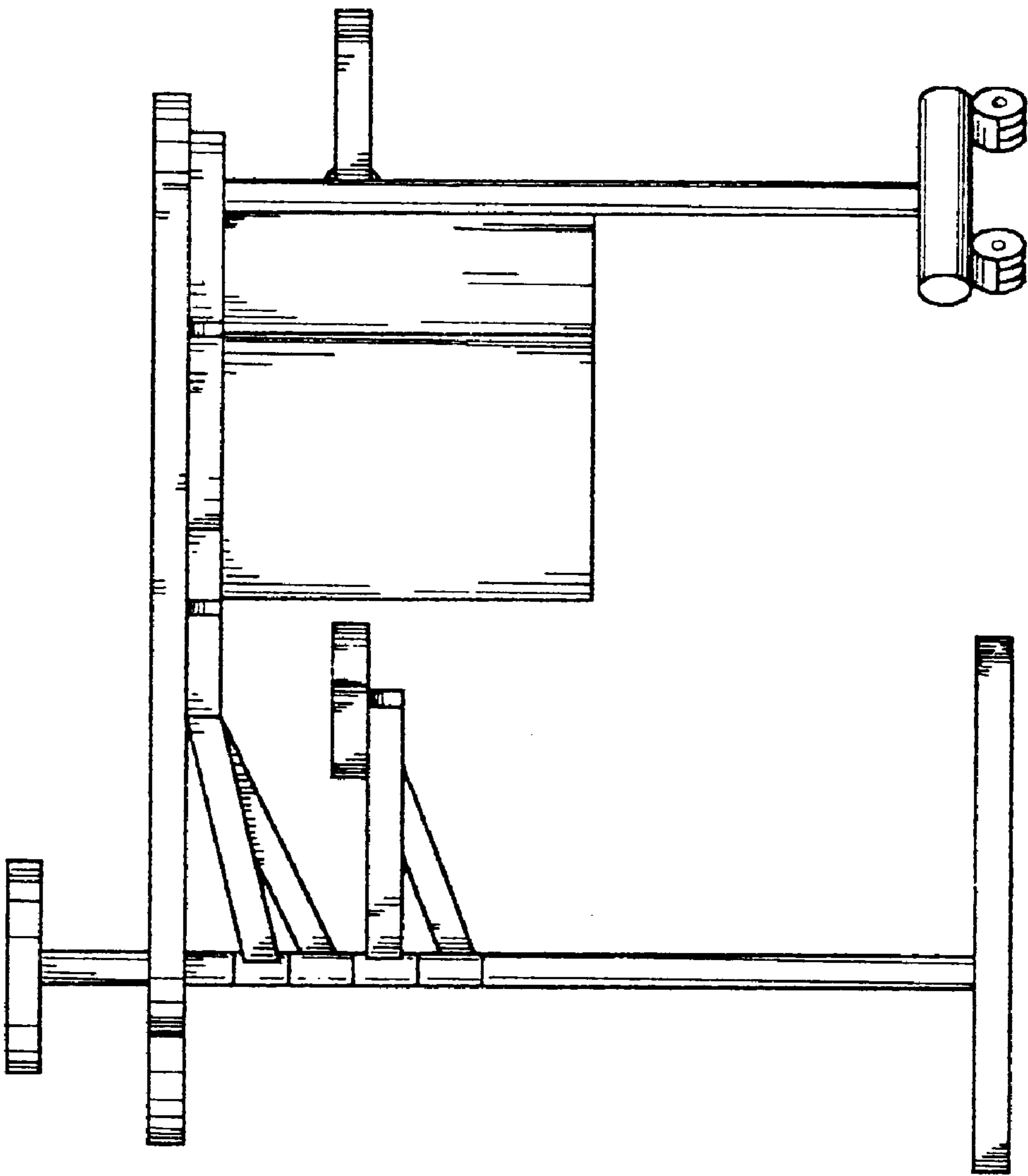


FIG. 5



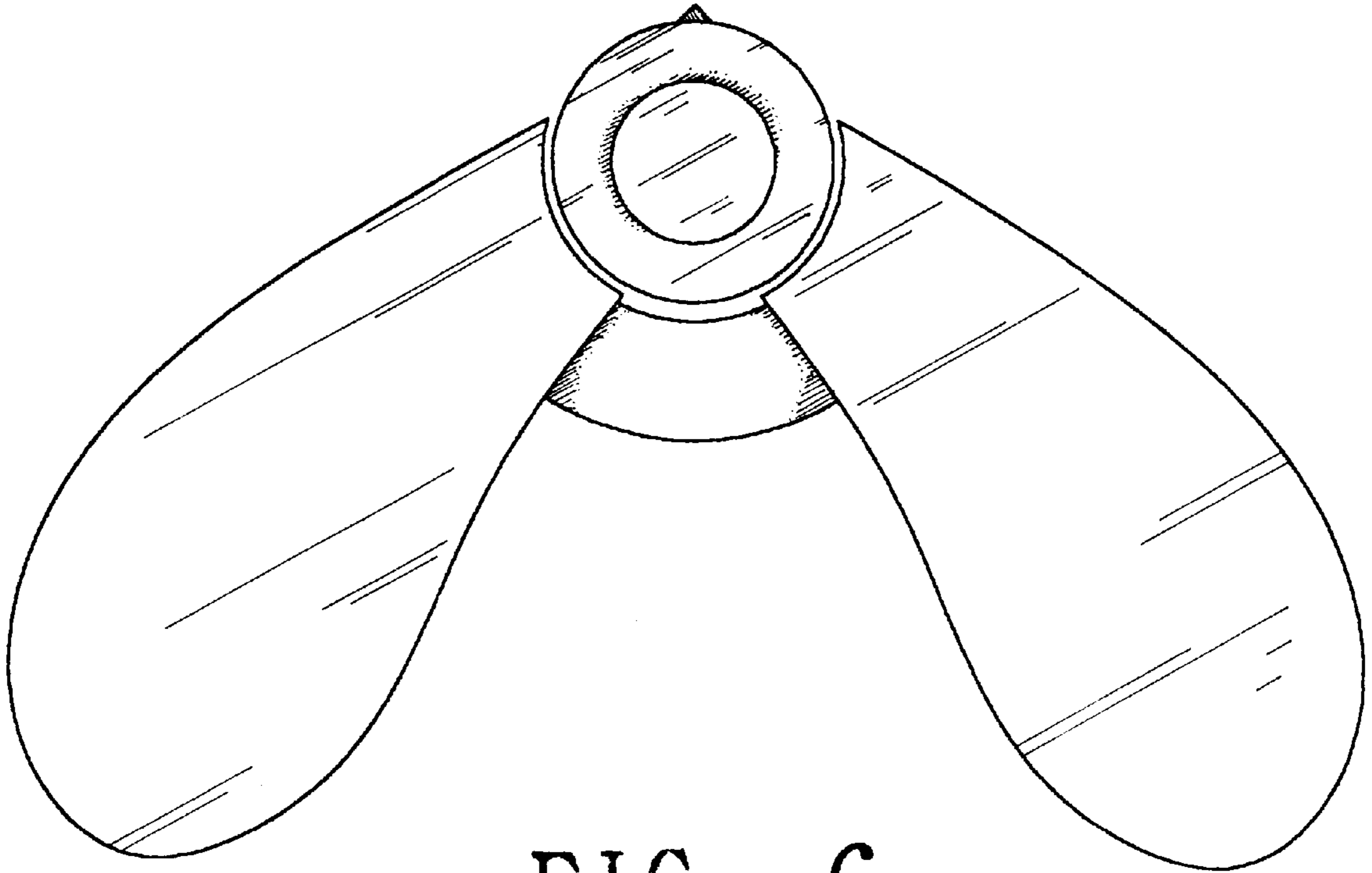


FIG. 6

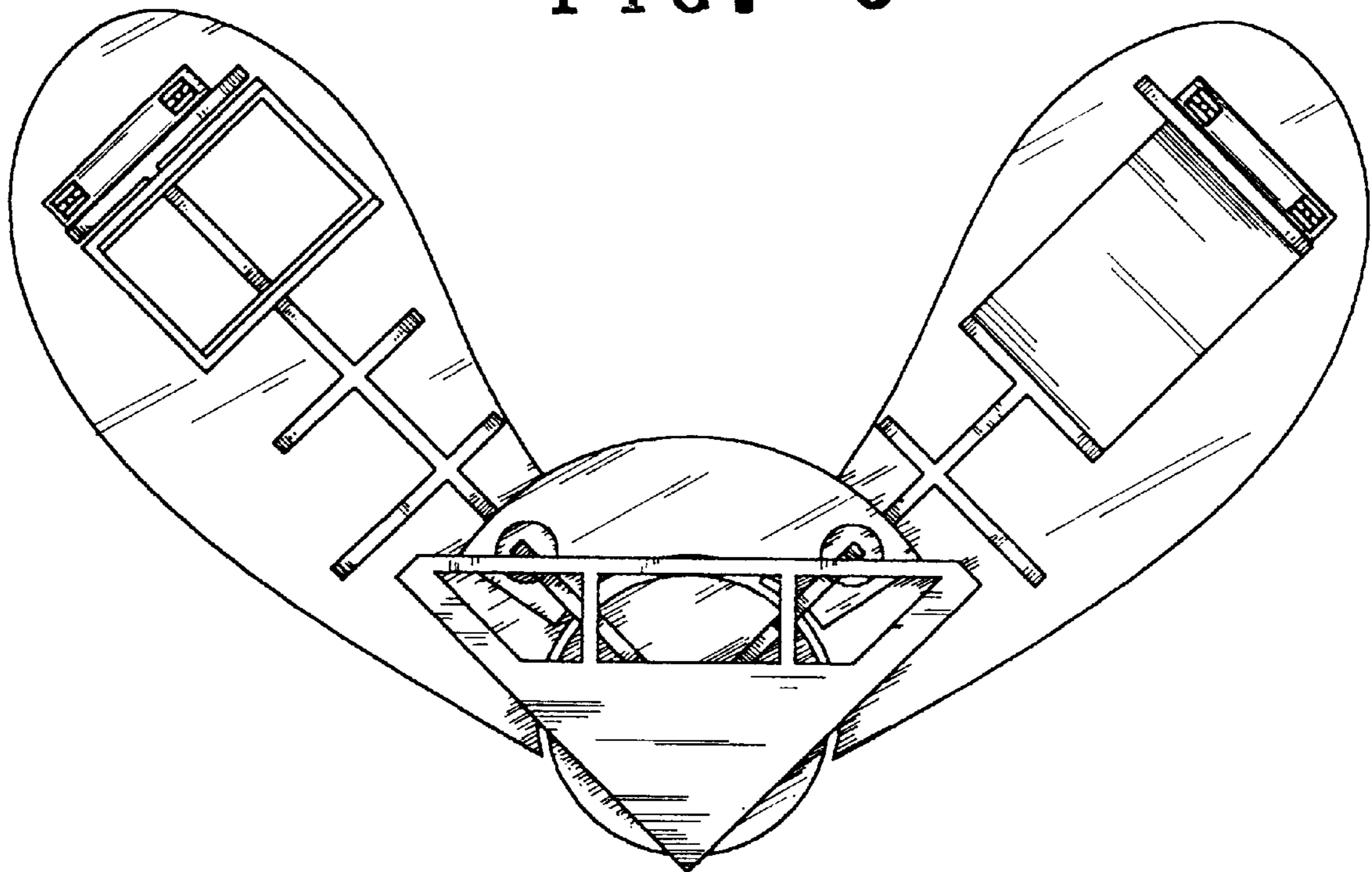


FIG. 7