



US00D428543S

United States Patent [19] Schwab

[11] Patent Number: **Des. 428,543**

[45] Date of Patent: **** Jul. 18, 2000**

[54] CONTAINER

[76] Inventor: **Robin Dawn Schwab**, 5050 Consent Dr., Port Republic, Md. 20676

[**] Term: **14 Years**

[21] Appl. No.: **29/107,357**

[22] Filed: **Jul. 7, 1999**

[51] LOC (7) Cl. **09-09**

[52] U.S. Cl. **D34/1; D34/4; D19/77**

[58] Field of Search D34/1, 5, 9, 11, D34/4; 200/675, 908, 909, 910, 911, DIG. 12, DIG. 14; D19/77, 80

2,433,945	1/1948	Foreman	220/908
3,434,625	3/1969	Embry, Jr.	220/909
4,630,752	12/1986	DeMars	220/675
4,669,629	6/1987	Saunders	220/675
5,503,287	4/1996	Gammons et al.	220/908

FOREIGN PATENT DOCUMENTS

0063670 3/1982 European Pat. Off. .

Primary Examiner—Susan J. Lucas
Assistant Examiner—Cynthia E. Ramirez
Attorney, Agent, or Firm—Richard C. Litman

[57] CLAIM

The ornamental design for a container, as shown and described.

DESCRIPTION

FIG. 1 is an environmental perspective view of a container showing my new design;

FIG. 2 is a front elevational view with the rear, left, and right sides being mirror images thereof; and,

FIG. 3 is a top view thereof.

The broken line showing of the springs in FIG. 1 is for illustrative purposes only and forms no part of the claimed design.

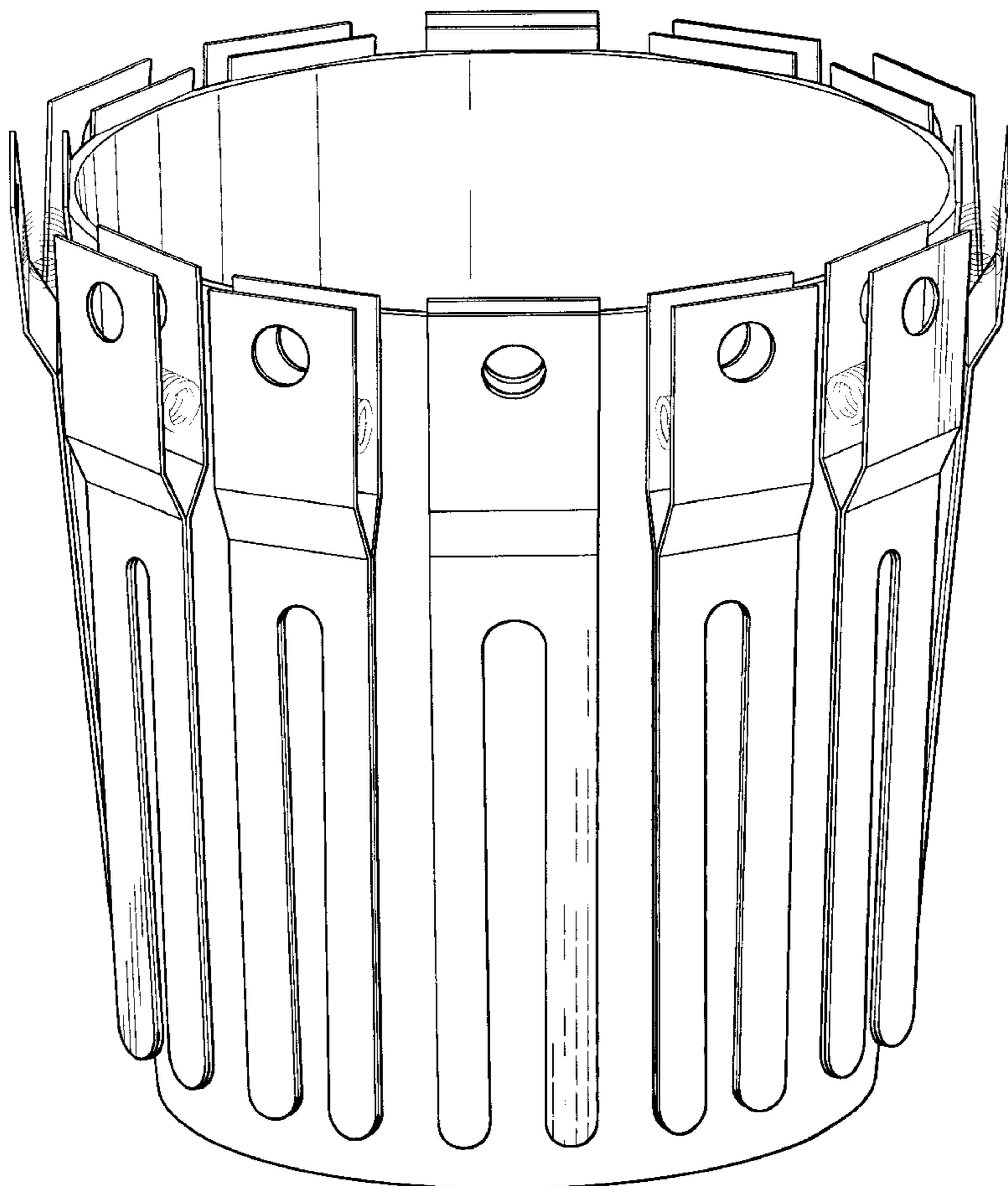
The bottom view of the container is plain and unornamented.

[56] References Cited

U.S. PATENT DOCUMENTS

D. 196,080	8/1963	Marsh	D34/1
D. 211,903	8/1968	Heck	D34/1
D. 306,928	3/1990	Hanna	D34/5
D. 314,461	2/1991	Skalka	D34/5
D. 353,250	12/1994	Skalka	D34/1
D. 355,742	2/1995	Jackson	D34/6
D. 360,724	7/1995	Breen et al.	D34/1
D. 371,695	7/1996	Buck .	
D. 387,529	12/1997	Spitaler .	
D. 398,122	9/1998	Presock et al.	D34/9

1 Claim, 3 Drawing Sheets



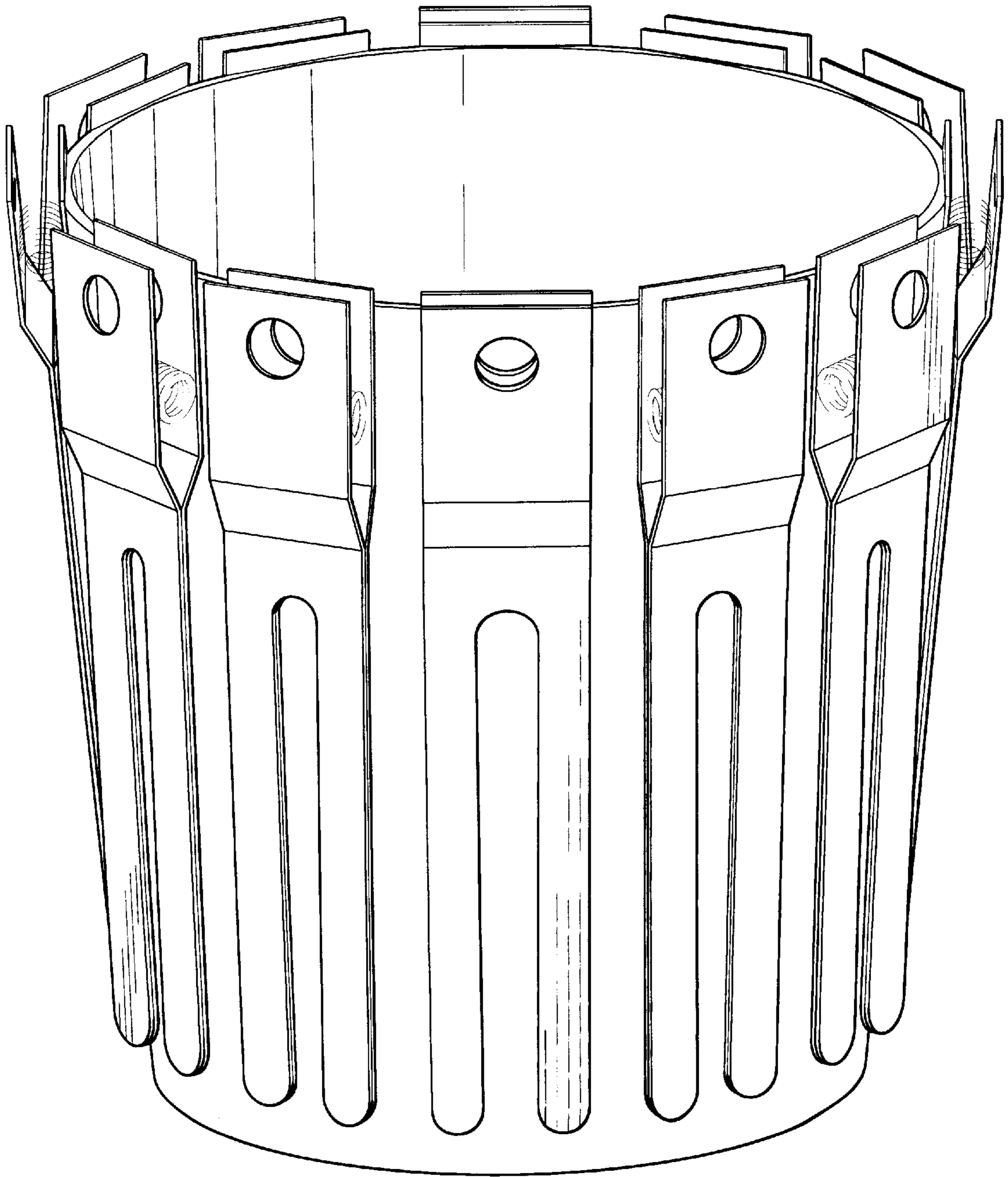


Fig. 1

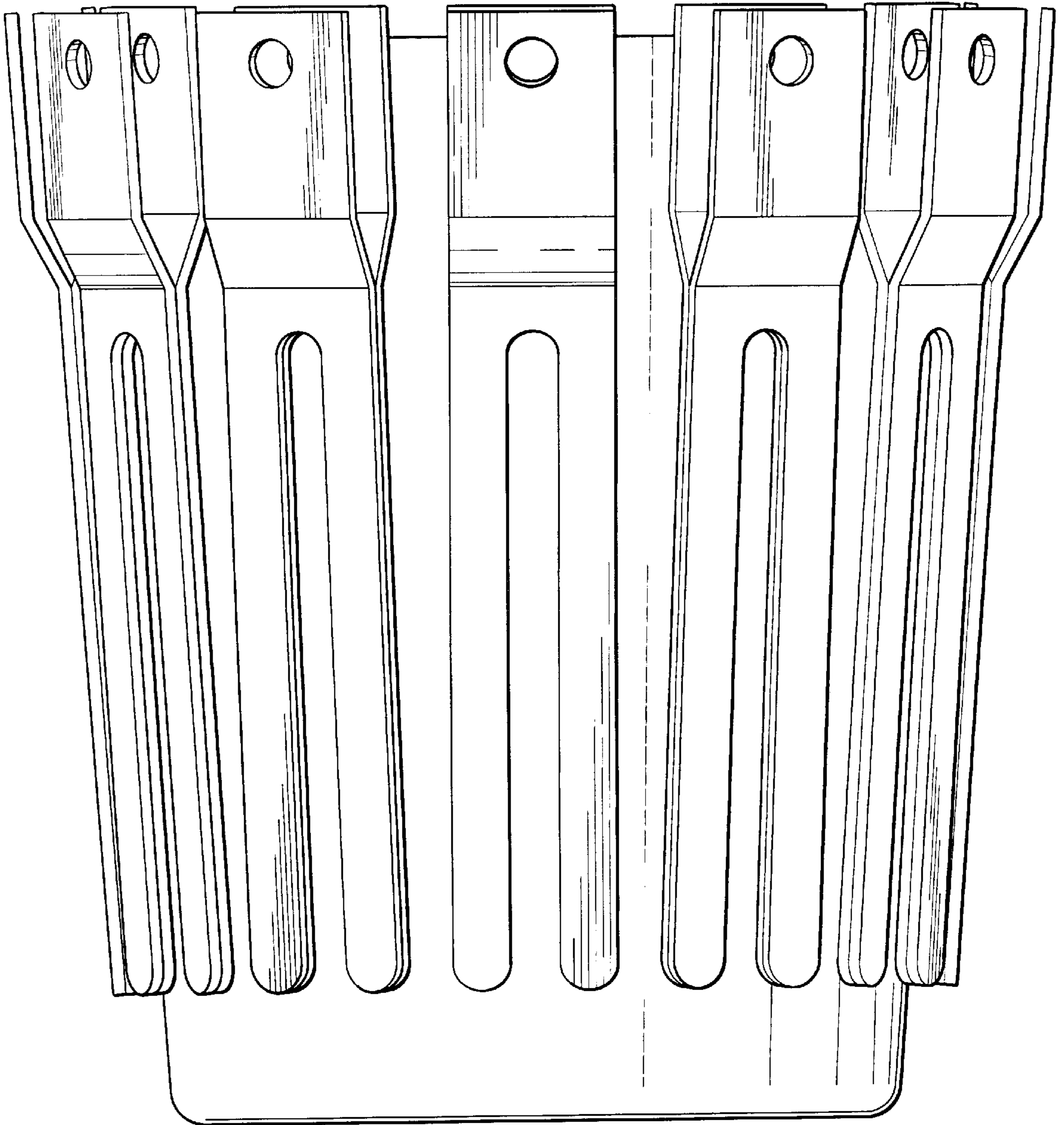


Fig. 2

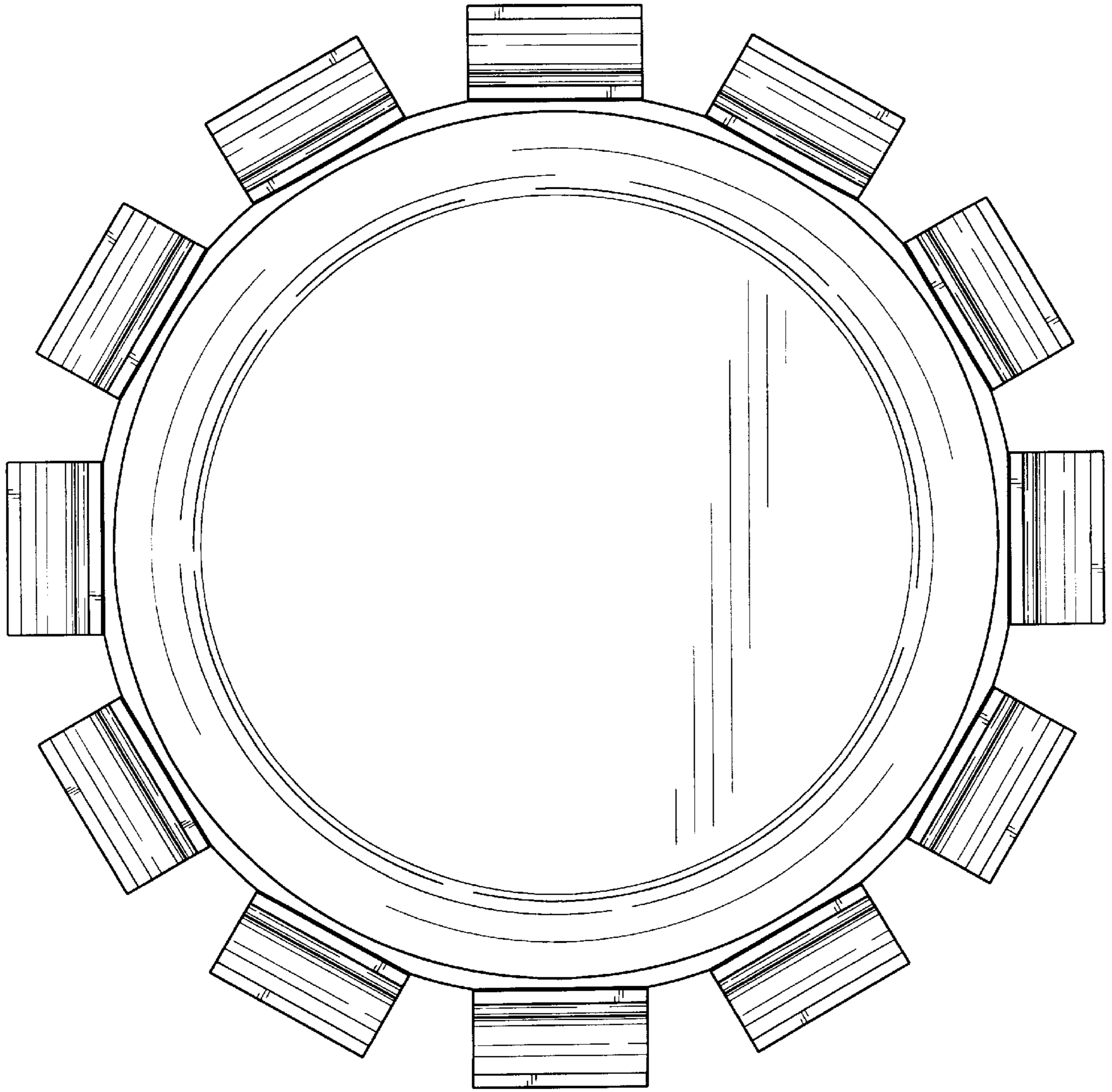


Fig. 3