



US00D428540S

United States Patent [19] Grant

[11] **Patent Number: Des. 428,540**

[45] **Date of Patent: ** Jul. 18, 2000**

[54] **PAINT TRAY**

4,509,226 4/1985 Allison et al. 15/257.06

[76] Inventor: **Kris Grant**, 5670 Wendi St., La Mesa, Calif. 91942

Primary Examiner—Robin V. Taylor
Attorney, Agent, or Firm—Charles C. Logan, II

[**] Term: **14 Years**

[57] **CLAIM**

[21] Appl. No.: **29/103,664**

The ornamental design for a paint tray, as shown and described.

[22] Filed: **Apr. 20, 1999**

DESCRIPTION

[51] **LOC (7) Cl.** **07-07**

[52] **U.S. Cl.** **D32/53.1**

[58] **Field of Search** D32/53, 53.1,
D32/54; 220/570; 15/257.01, 257.05, 257.06

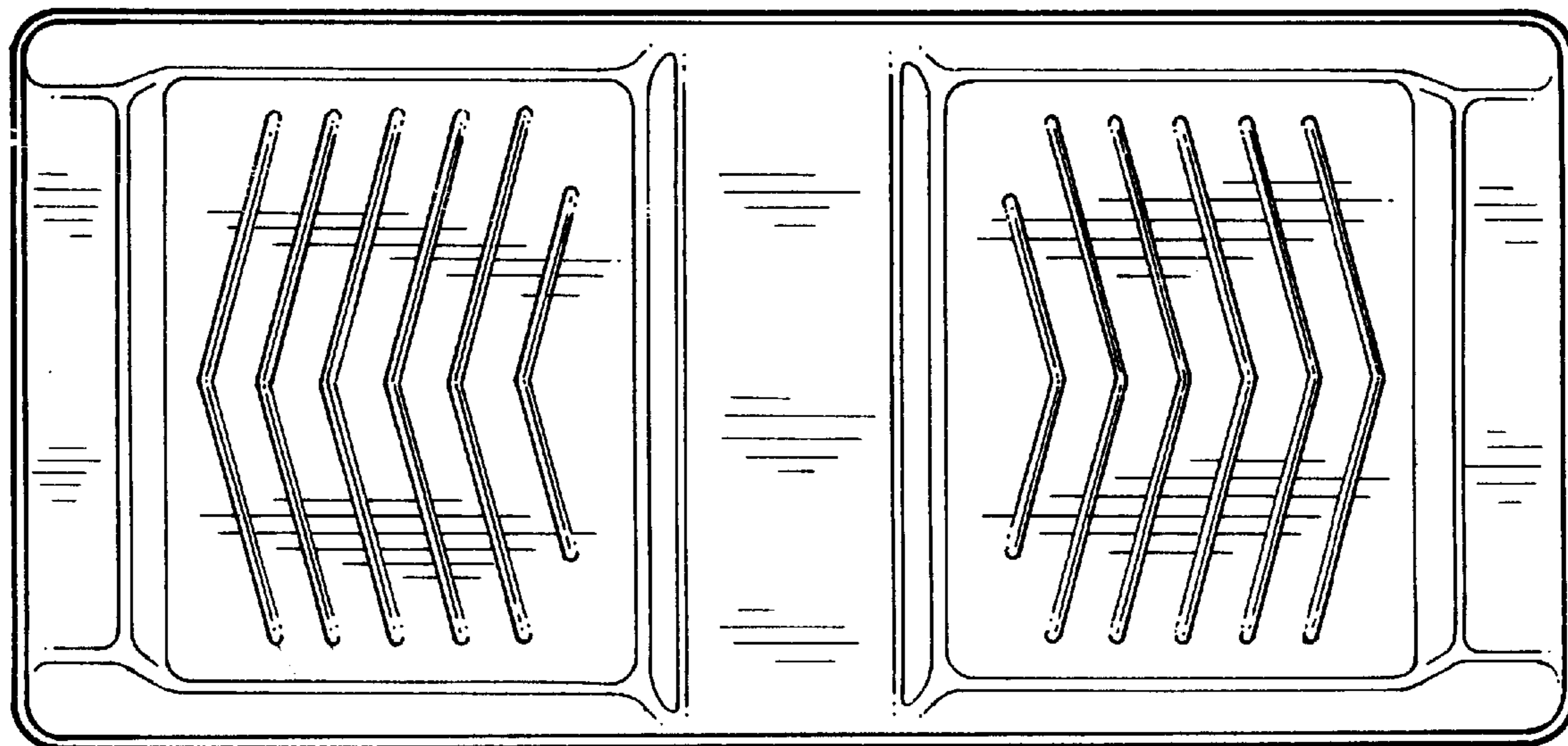
FIG. 1 is a top plan view of the novel paint tray;
FIG. 2 is a right side elevation view thereof and the left side elevation view is identical but reversed;
FIG. 3 is a bottom plan view thereof;
FIG. 4 is a front end elevation view thereof and the rear elevation view is identical;
FIG. 5 is a front perspective view thereof; and,
FIG. 6 is an enlarged, bottom perspective view of the leg portion of an alternative embodiment where, the paint tray body is the same as that shown in FIGS. 1-5 and the leg is shown broken away for clarity of illustration.

[56] **References Cited**

U.S. PATENT DOCUMENTS

D. 223,864	6/1972	Vines	D32/53.1
D. 292,533	10/1987	Saraga	D32/53.1
D. 301,785	6/1989	Goetz	D32/53.1
3,380,100	4/1968	Pharris et al.	15/257.06
3,729,764	5/1973	Vines	15/257.06

1 Claim, 2 Drawing Sheets



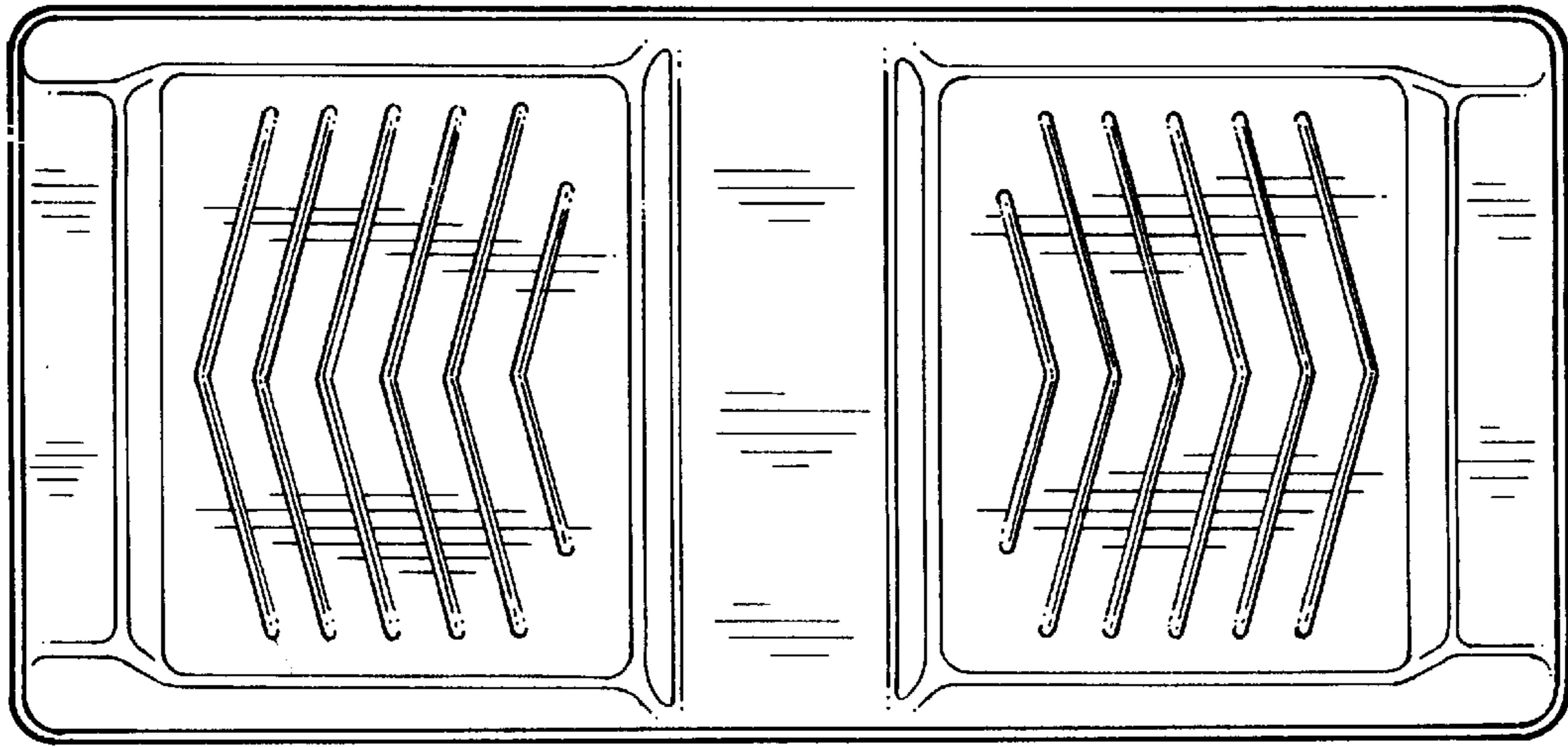


FIG. 1



FIG. 2

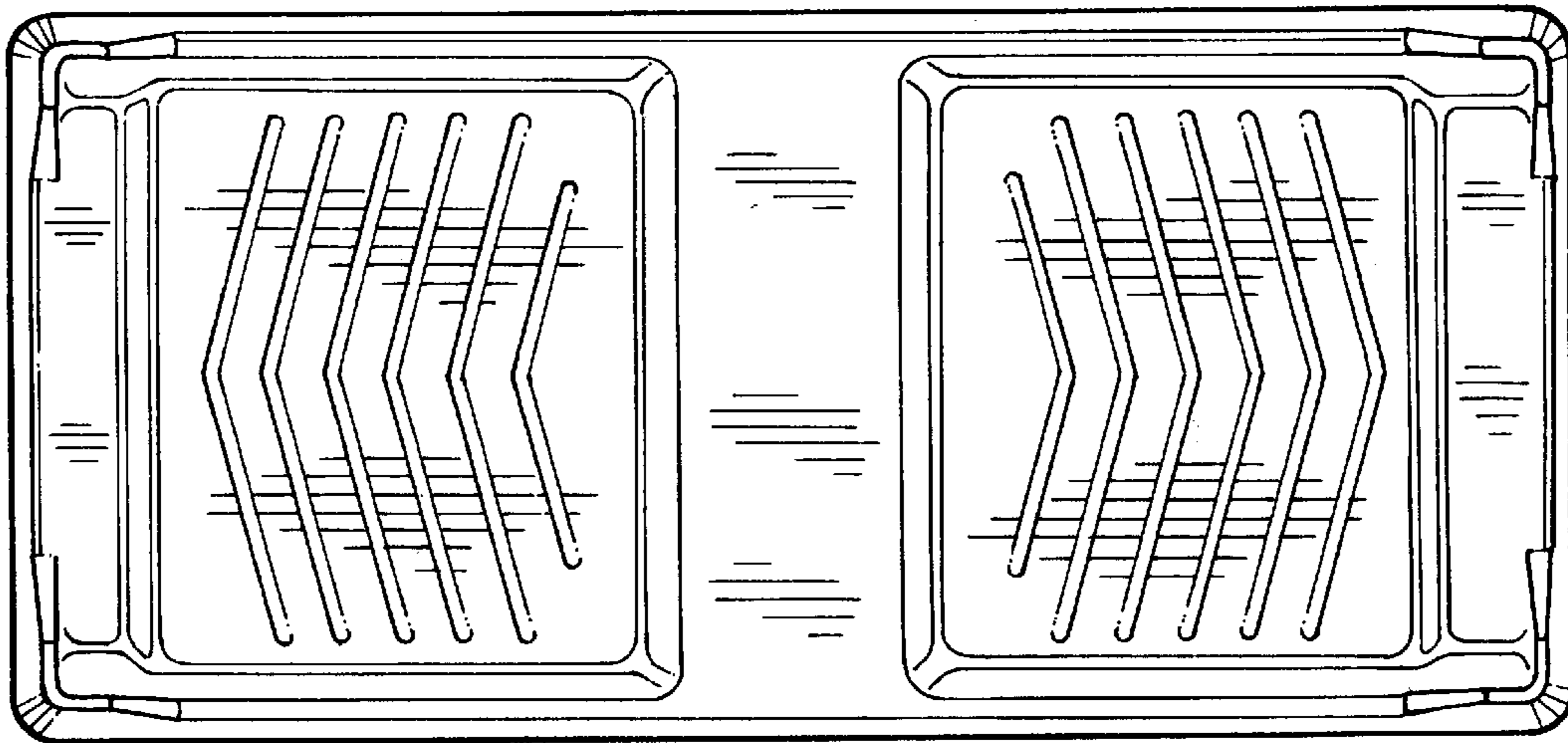


FIG. 3

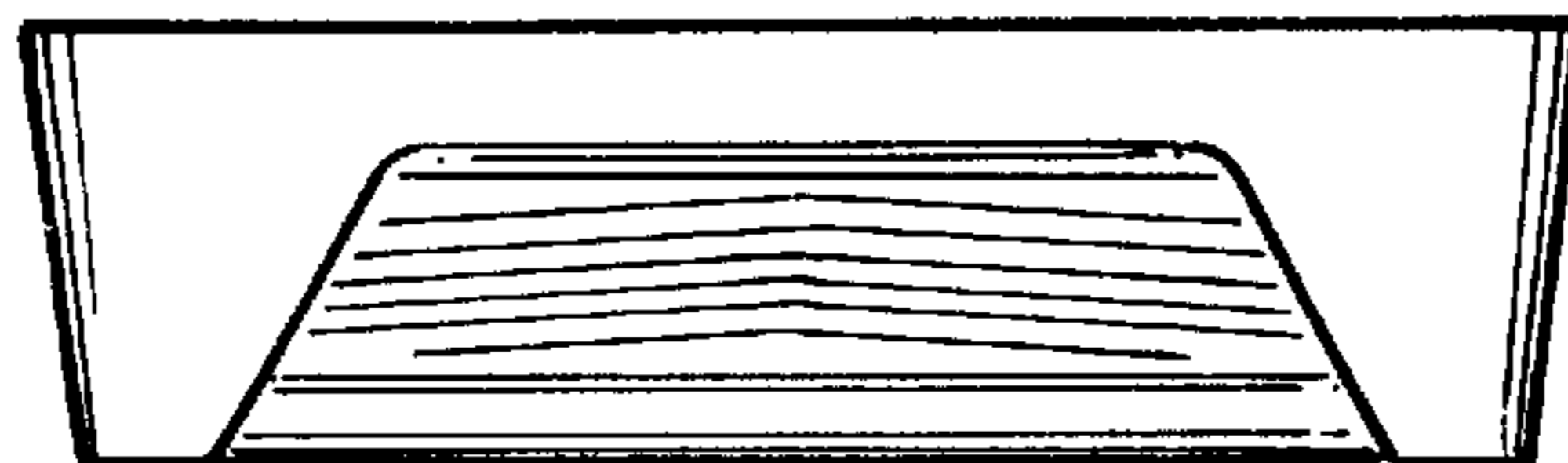


FIG. 4

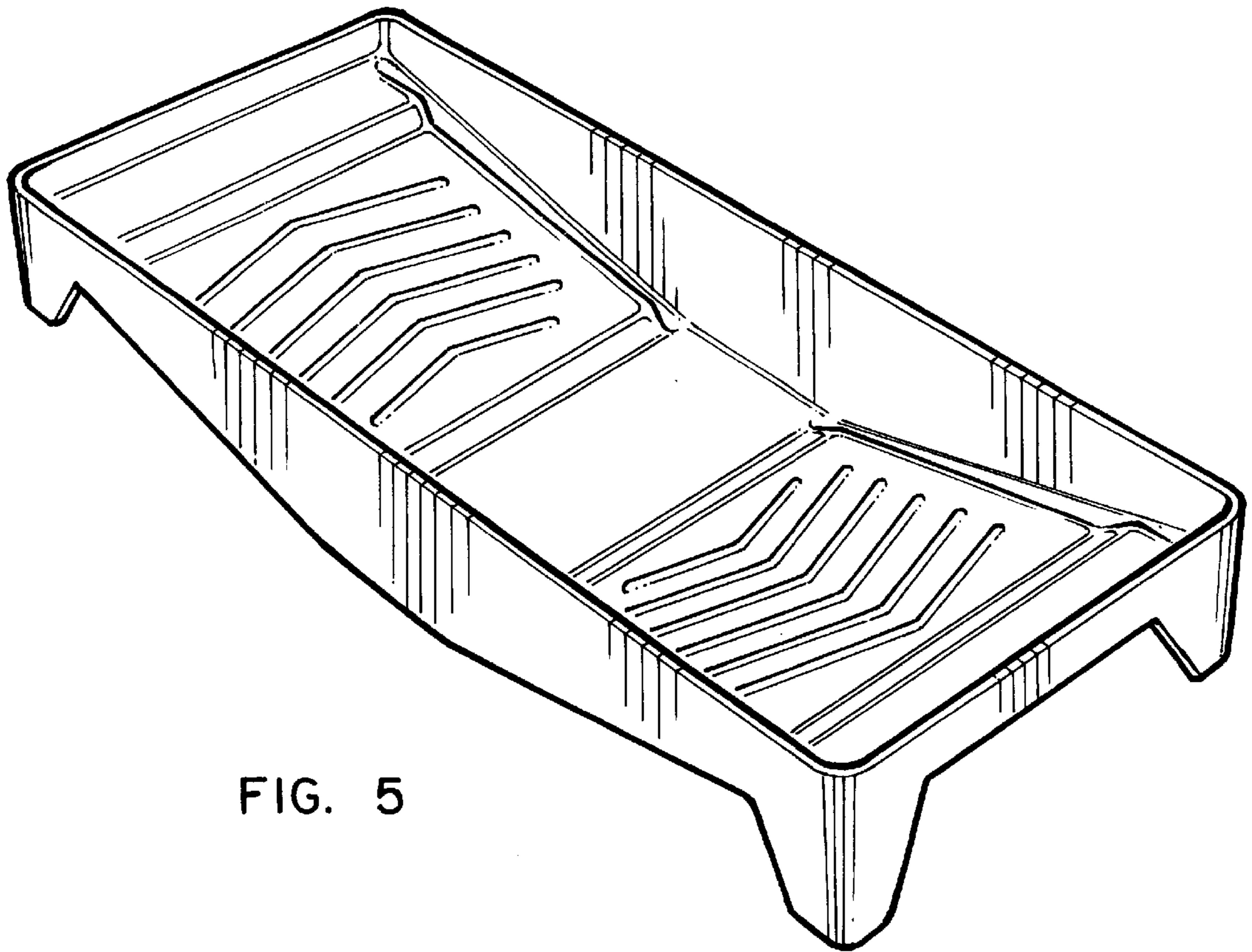


FIG. 5

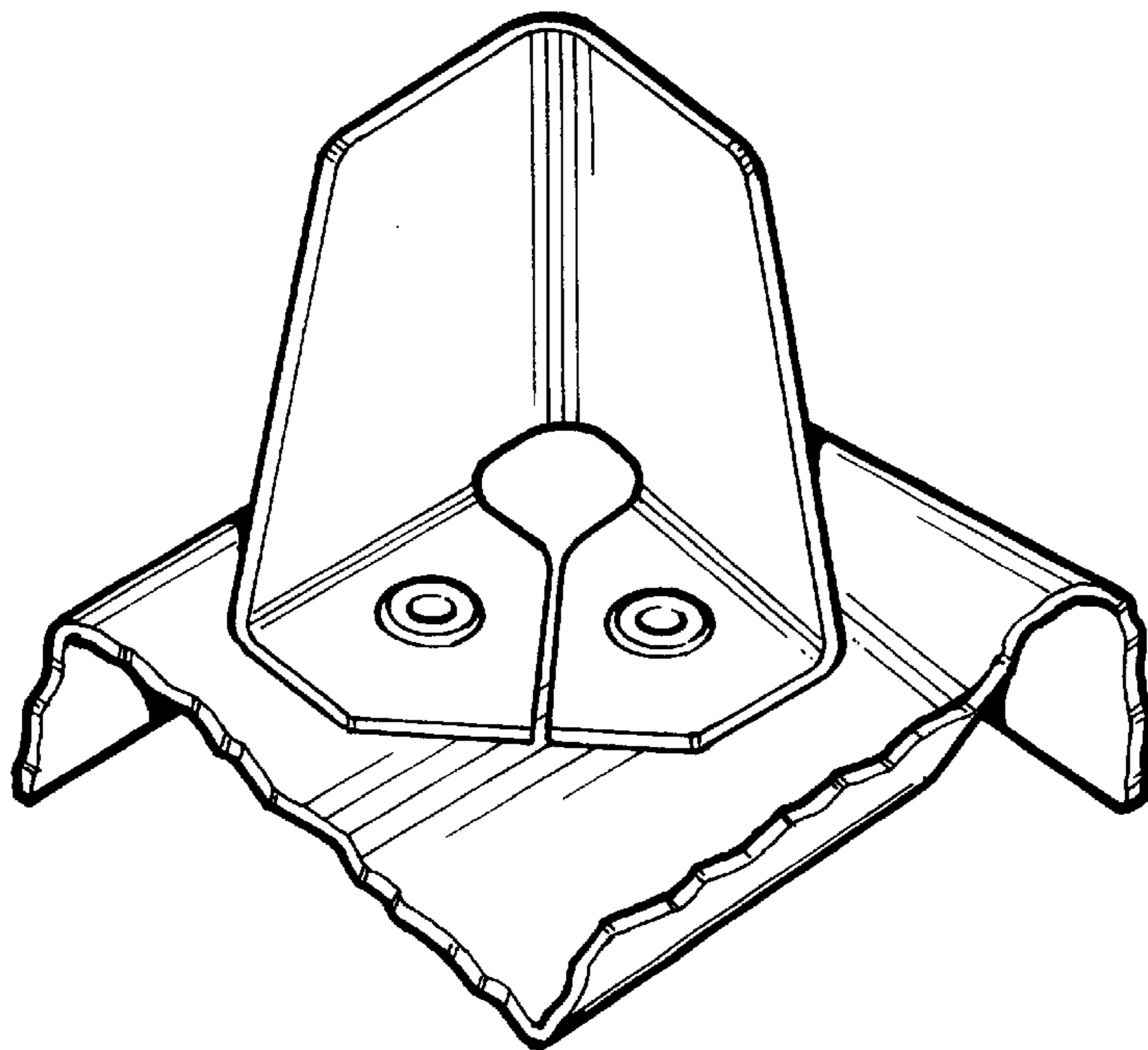


FIG. 6