



US00D428537S

United States Patent [19] Miller

[11] Patent Number: **Des. 428,537**
[45] Date of Patent: **** Jul. 18, 2000**

[54] **BIRD FEEDER**
[76] Inventor: **Robert Miller**, 2961 Jamaica Dr.,
Jupiter, Fla. 33410
[**] Term: **14 Years**
[21] Appl. No.: **29/113,229**
[22] Filed: **Nov. 1, 1999**
[51] **LOC (7) Cl.** **30-03**
[52] **U.S. Cl.** **D30/124**
[58] **Field of Search** D30/123-129;
119/428-429, 432, 51.01, 52.1-52.2, 57.8-57.9,
69.5

2,591,459 4/1952 Meany .
2,715,386 8/1955 Jones .
2,887,988 5/1959 Cottongim .
3,147,739 9/1964 Shaheen .
3,590,780 7/1971 Dunbar .
4,019,462 4/1977 Palfalvy .
4,829,934 5/1989 Blasbalg 119/57.8
4,896,628 1/1990 Kadunce 119/52.2
5,195,463 3/1993 Lorenzana .
5,259,336 11/1993 Clark .
5,413,069 5/1995 Currie 119/52.2
5,722,344 3/1998 Rank 119/57.8
5,791,286 8/1998 Taussig et al. 119/52.2
5,829,382 11/1998 Garrison 119/52.2
5,904,117 5/1999 Castro .

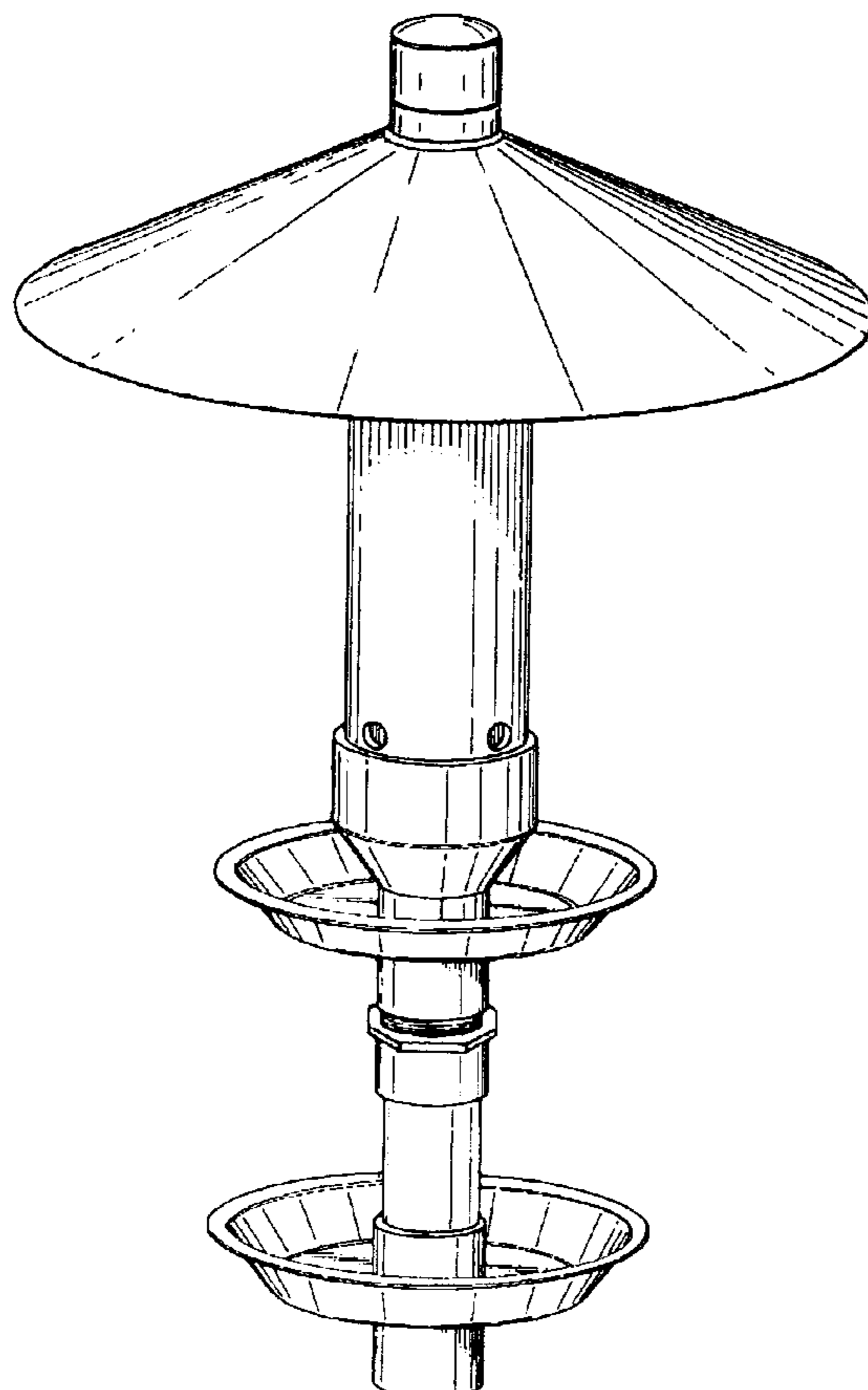
Primary Examiner—Cathy Anne MacCormac
Attorney, Agent, or Firm—Quarles & Brady

[56] **References Cited**
U.S. PATENT DOCUMENTS
D. 244,786 6/1977 Dryden D30/128
D. 267,355 12/1982 Blasbalg D30/127
D. 282,019 12/1985 Kilham D30/127
D. 320,875 10/1991 Kilham D30/127
D. 326,003 5/1992 Embree D30/128
D. 335,006 4/1993 Blasbalg D30/127
D. 360,495 7/1995 Sanderson .
D. 367,550 2/1996 Drummond D30/119
D. 385,067 10/1997 Whittles D30/124
D. 386,835 11/1997 Passamare D30/124
1,113,887 10/1914 Dragan et al. .
2,298,398 10/1942 Marshaus .

[57] **CLAIM**
The ornamental design for a bird feeder, as shown and described.

DESCRIPTION
FIG. 1 shows a front elevation view of a bird feeder showing my new design, the left, right and rear view being the same; FIG. 2 is a top plan view thereof; FIG. 3 is a bottom plan view thereof; and, FIG. 4 is a front perspective view thereof, taken from the top.

1 Claim, 3 Drawing Sheets



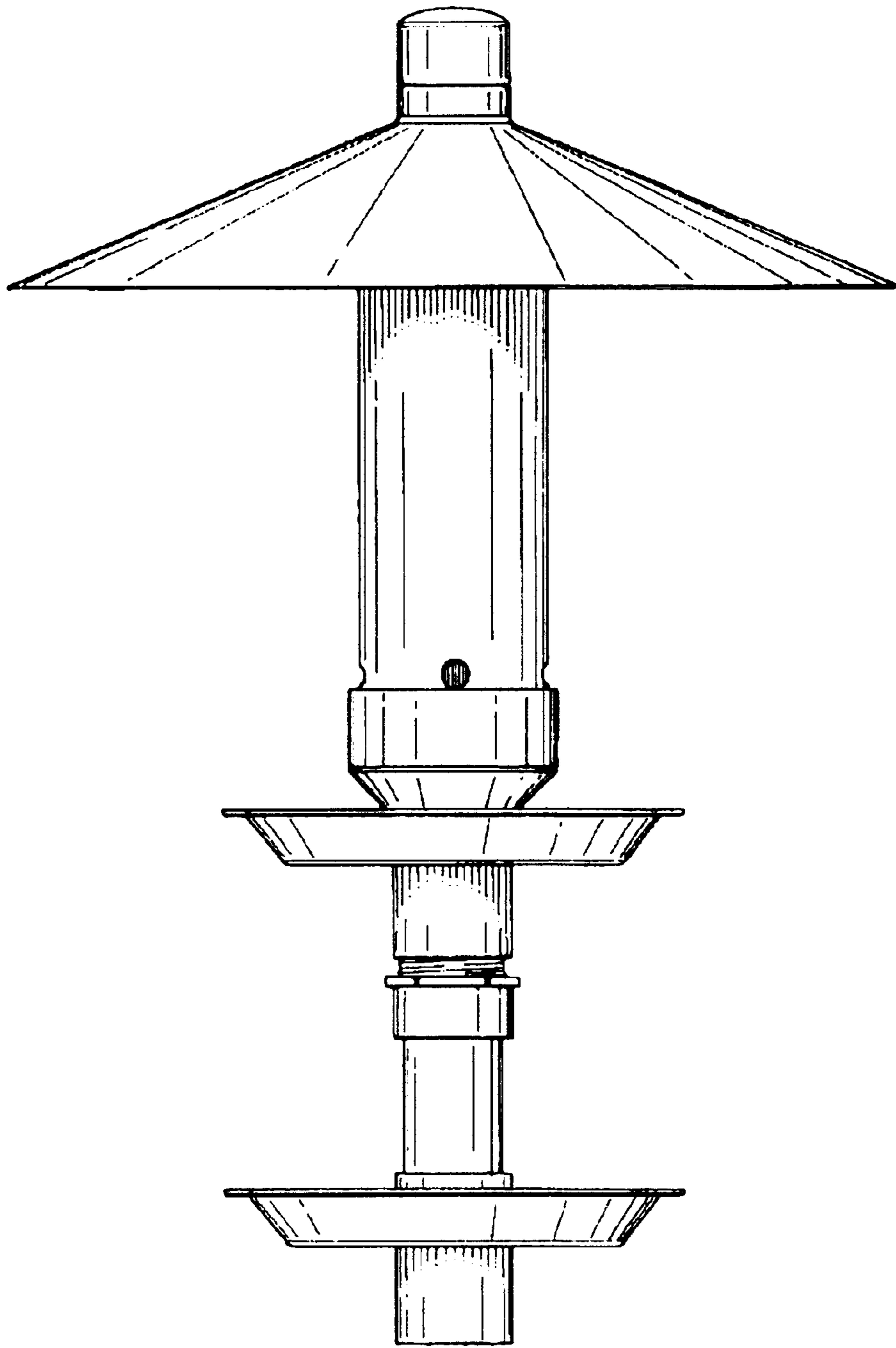


FIG. 1

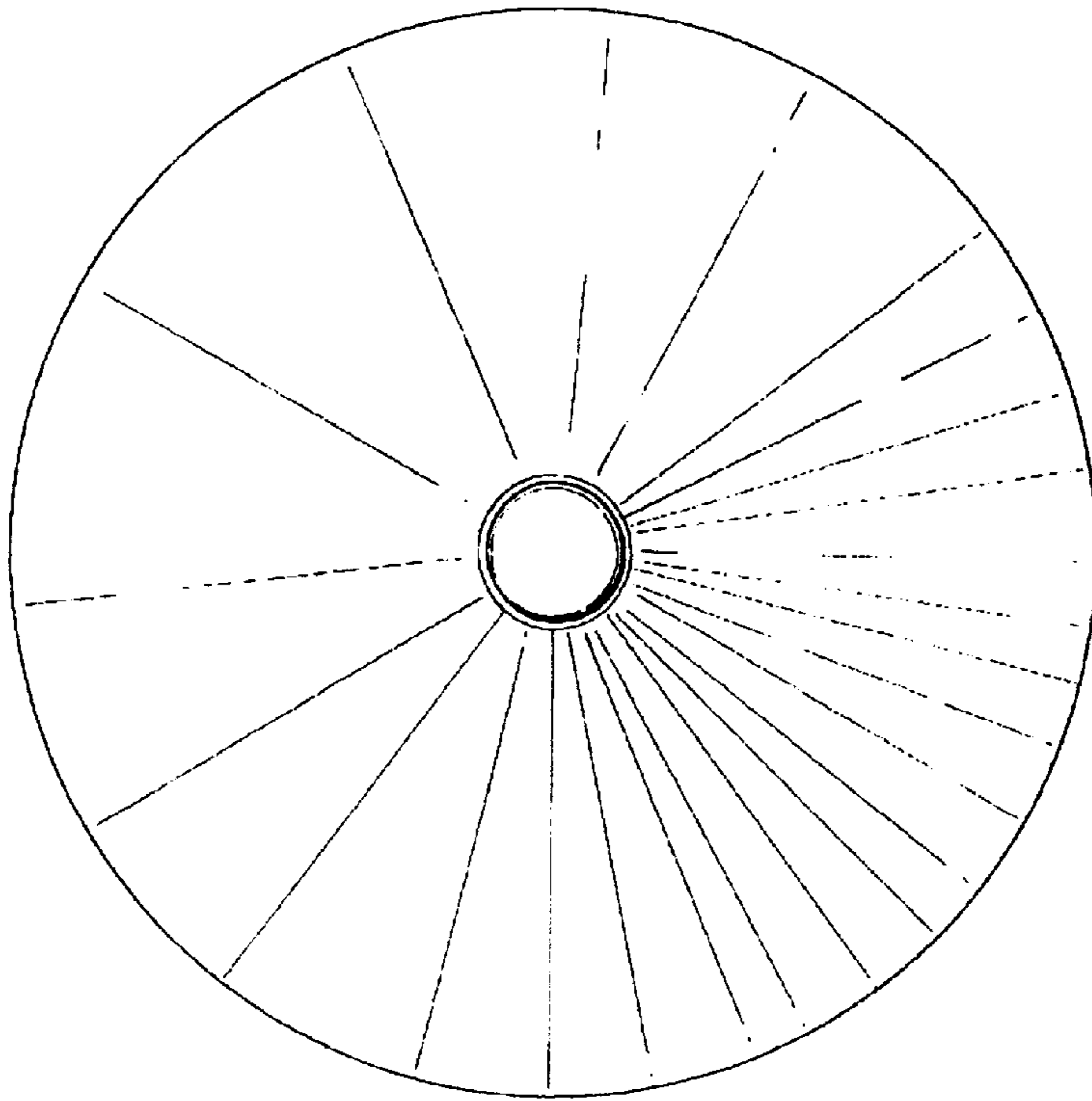


FIG. 2

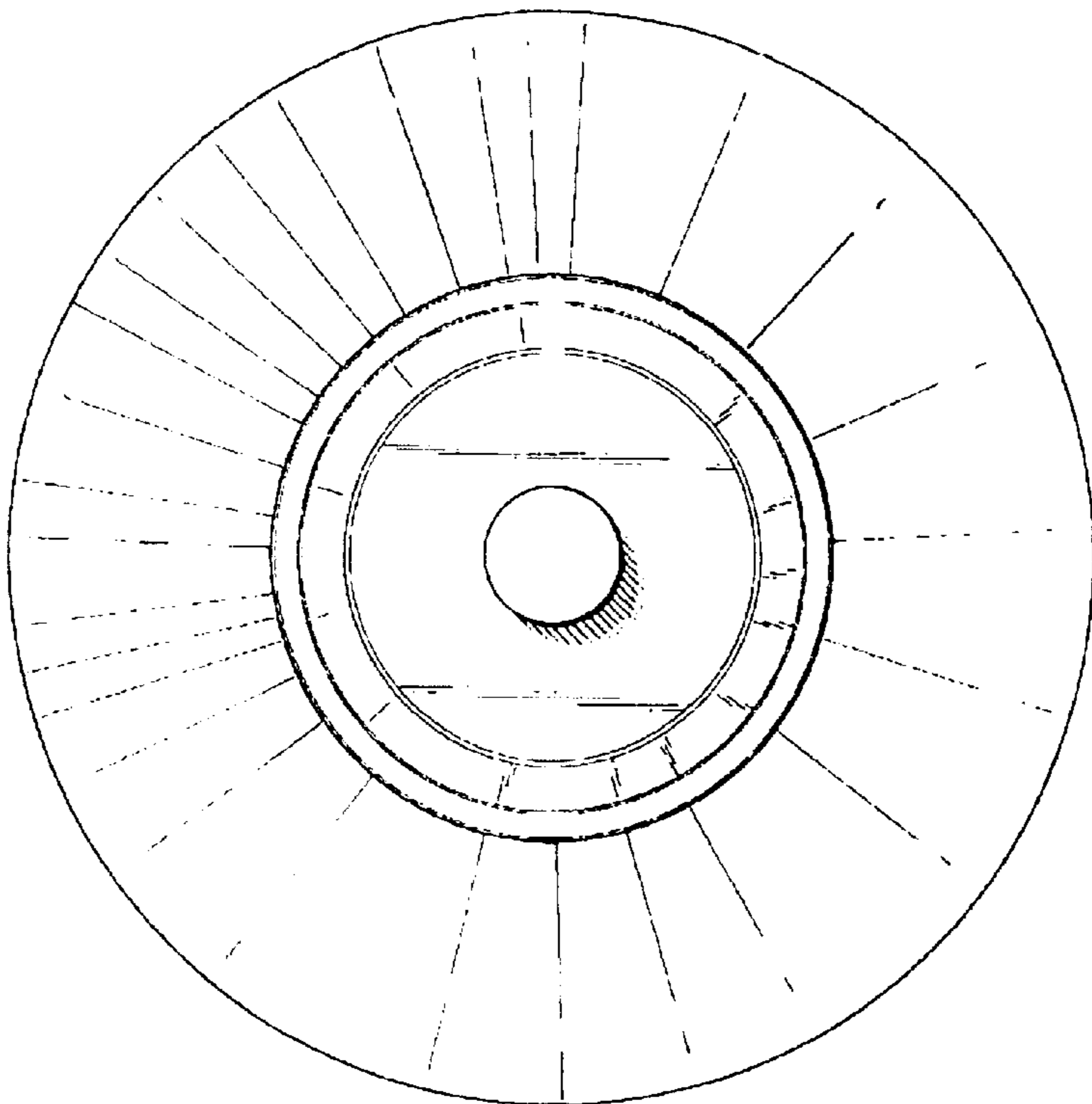


FIG. 3

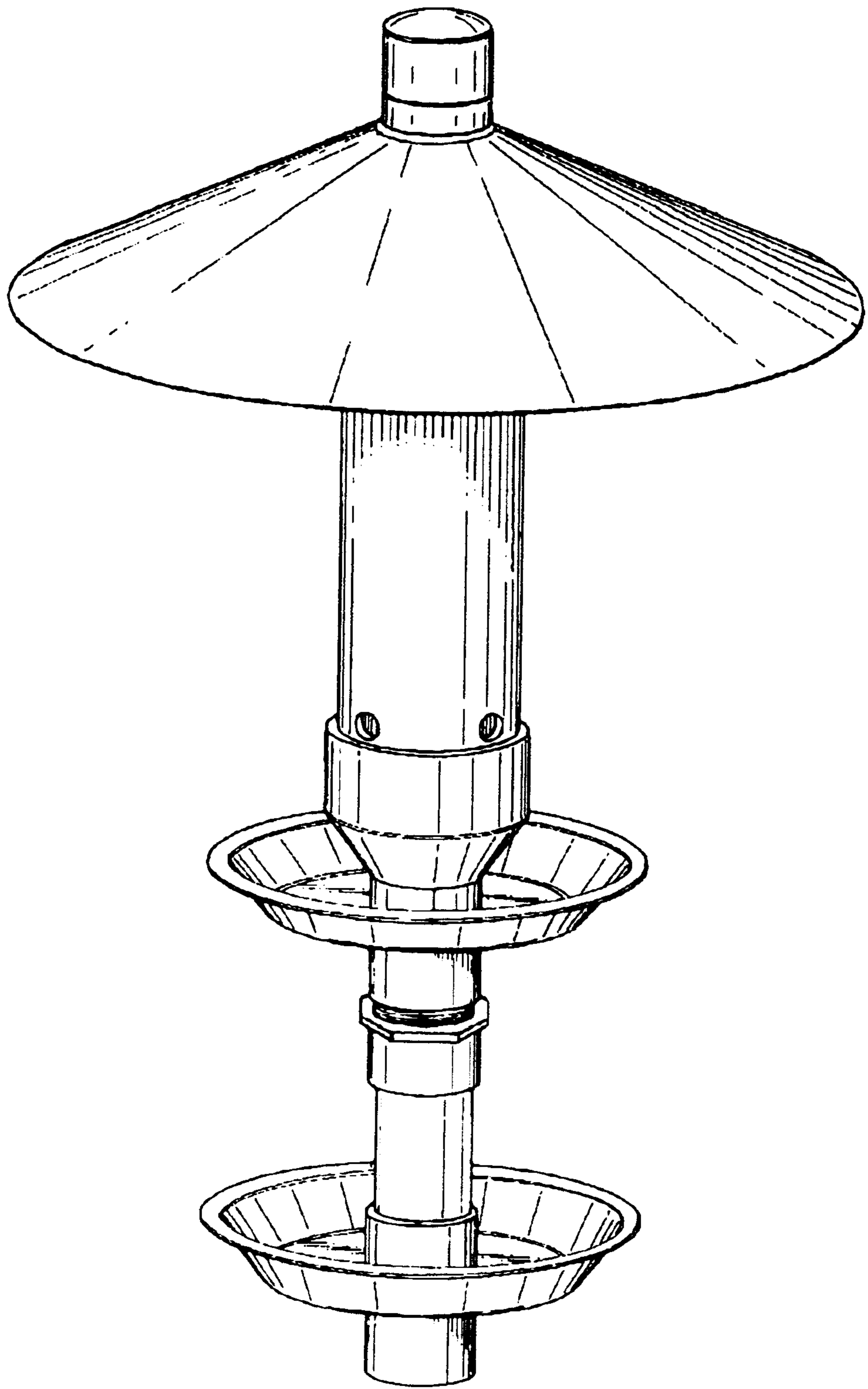


FIG. 4