



US00D428526S

# United States Patent [19] Freeman

[11] Patent Number: Des. 428,526

[45] Date of Patent: \*\* Jul. 18, 2000

[54] SOAP

[76] Inventor: **Faith Freeman**, 3632 Rebel Cir.,  
Huntington Beach, Calif. 92649

[\*\*] Term: **14 Years**

[21] Appl. No.: **29/102,765**

[22] Filed: **Mar. 31, 1999**

[51] LOC (7) Cl. .... **28-02**

[52] U.S. Cl. .... **D28/8.2**

[58] Field of Search ..... D28/8.1, 8.2; D9/307,  
D9/310, 318; D11/131-134, 158; D19/97;  
D21/655; D26/6, 7; 510/133, 137-147,  
440, 447; 428/13, 7, 16, 542.2

[56] **References Cited**

U.S. PATENT DOCUMENTS

D. 118,560	1/1940	Imre	.....	D97/314
D. 131,684	3/1942	Feinberg et al.	.....	D9/314 X
D. 178,200	7/1956	KcKenzie et al.	.....	D26/6
D. 252,054	6/1979	Carles	.....	D28/8.1
D. 259,064	4/1981	Lee	.....	D28/8.2
D. 277,740	2/1985	Harmeson	.....	D11/157
D. 298,067	10/1988	Bussell	.....	D28/8.1
D. 341,104	11/1993	Walton	.....	D11/158
D. 366,730	1/1996	Chen	.....	D9/314 X
D. 412,375	7/1999	Freeman	.....	D28/8.1
D. 413,692	9/1999	Freeman	.....	D28/8.2
D. 415,590	10/1999	Freeman	.....	D28/8.2
D. 416,107	11/1999	Freeman	.....	D28/8.2
683,181	9/1901	Mereness	.....	510/440
1,618,323	2/1927	Blomstrom	.....	510/139
1,979,411	11/1934	Sands	.....	401/19
2,917,856	12/1959	Soloff	.....	428/13
3,359,206	12/1967	Cratsa	.....	510/145
3,398,219	8/1968	Kelly et al.	.....	510/146 X
5,455,956	10/1995	Todd	.....	428/16
5,869,437	10/1988	Wolfersberger	.....	510/147

FOREIGN PATENT DOCUMENTS

59-159899	9/1984	Japan	.....	252/FOR 115
7810659	4/1990	Netherlands	.....	252/FOR 115

OTHER PUBLICATIONS

Boy's Life, Sep. 1976, p. 41: item on upper right.  
 Avon C-7 1994, p. 20: Rabbit shaped soap.  
 Primal Elements=winter/spring 99 Catalog (the following soaps) (10 pages) "Facets of the Sea", c 1996; "Flower Power", c 1996; Gardenia, c 1996; "Lavender Oatmeal", c 1995; "Orange Canteloupe", c 1996; "Peppermint", c 1996; "Rain Scent", c 1995; "Stained Glass", c 1997; "Tahitian Vanilla", 1997; "Virtual Blue", c 1997; and "Fruitti Tutti", c 1996.  
 Hong Kong Enterprise Oct. 1997, p. 126: 3rd soap from left in 3rd row from top.  
 Primal Elements Winter/Spring 1999 Catalog, soaps numbered 11, 12, 13, and soaps indicated by arrows A-D, Jan. 1999.

*Primary Examiner*—Ted Shooman  
*Assistant Examiner*—C. Tuttle  
*Attorney, Agent, or Firm*—Stetina Brunda Garred & Brucker

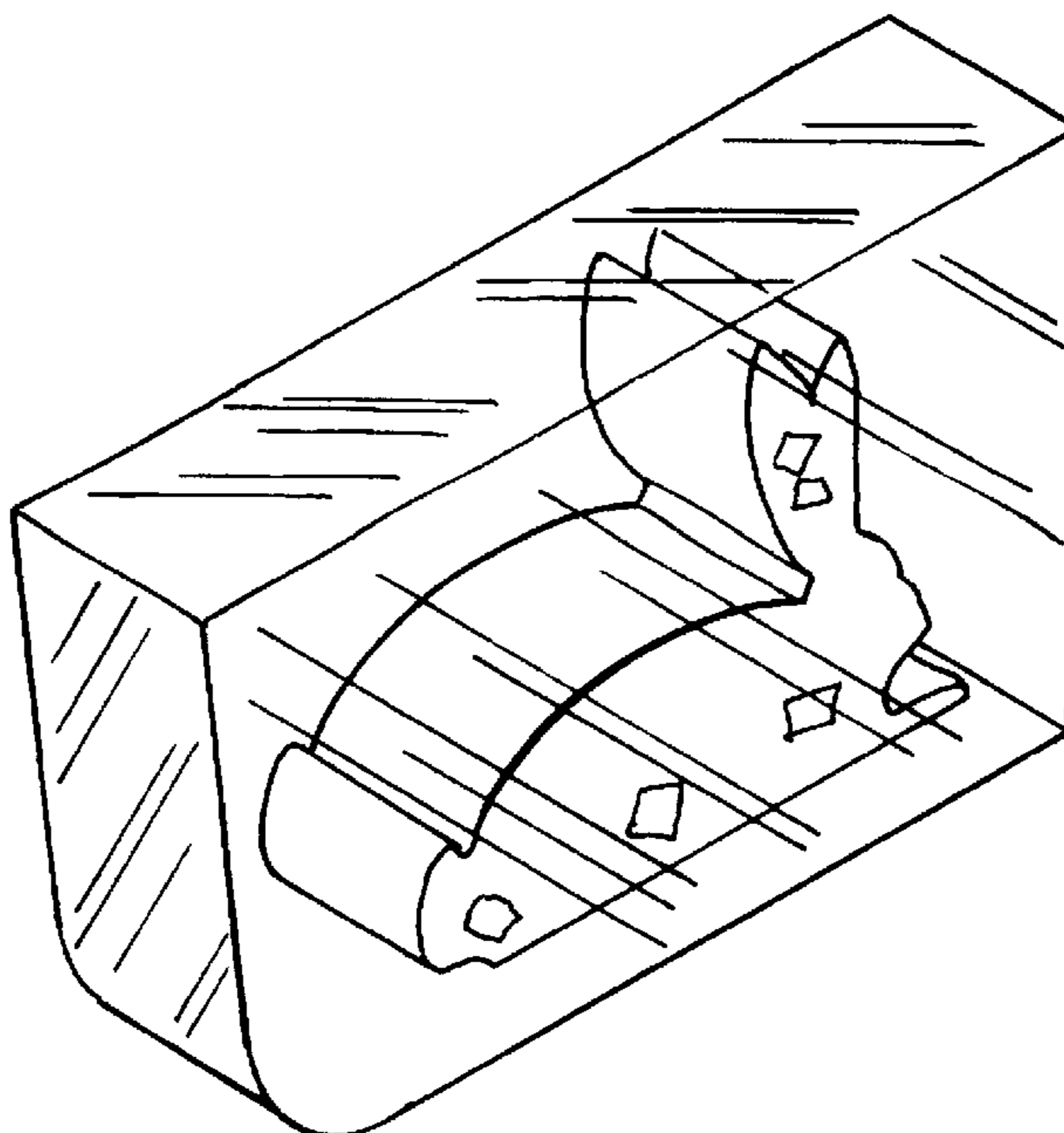
[57] **CLAIM**

The ornamental design for a soap, as shown and described.

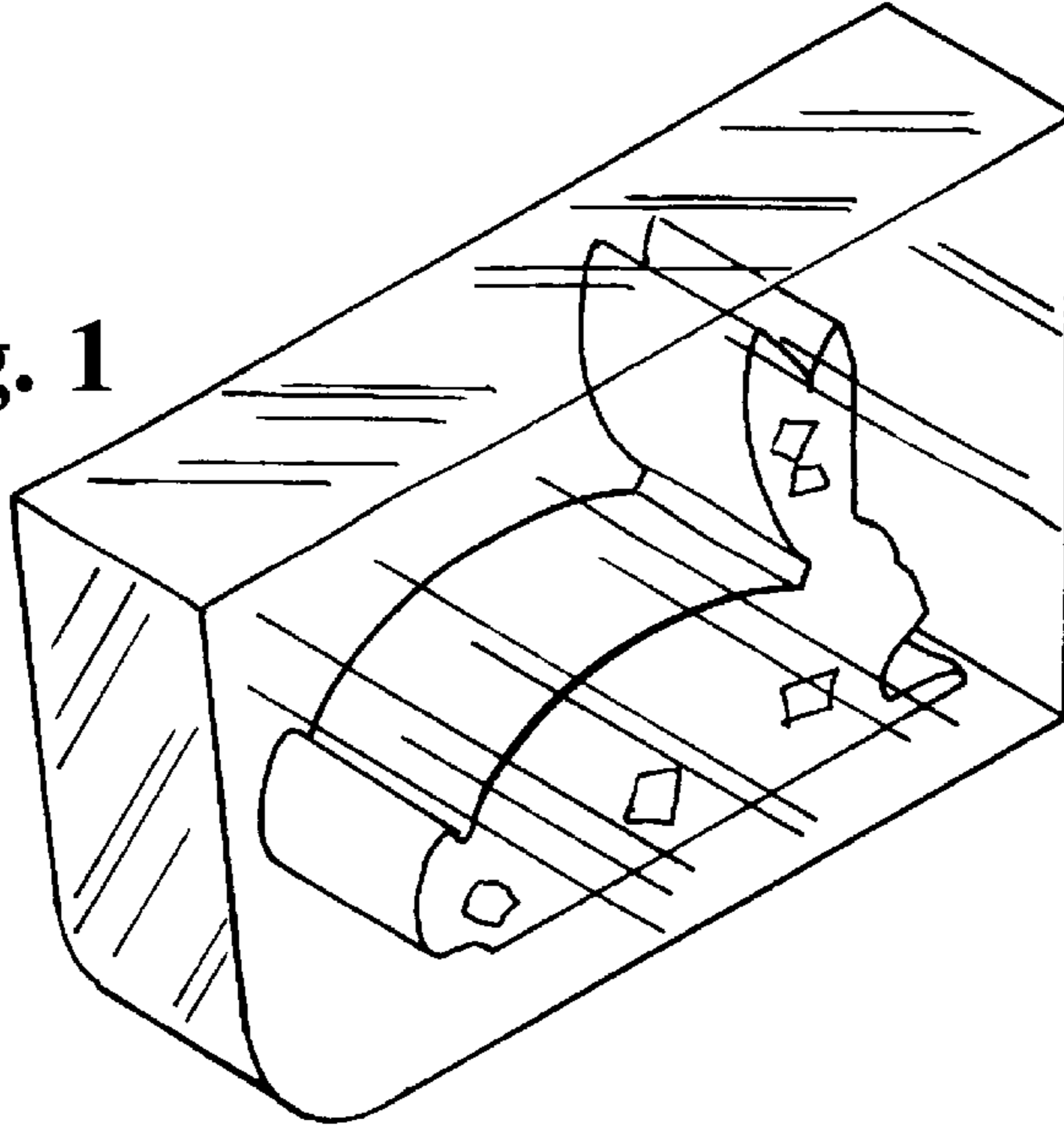
**DESCRIPTION**

FIG. 1 is a front perspective view of the soap of the present invention showing my new design;  
 FIG. 2 is a front elevational view thereof;  
 FIG. 3 is a rear elevational view thereof;  
 FIG. 4 is a top plan view of FIG. 3 thereof;  
 FIG. 5 is a bottom plan view thereof;  
 FIG. 6 is a right side elevational view of FIG. 2; and,  
 FIG. 7 is a left side elevational view thereof.

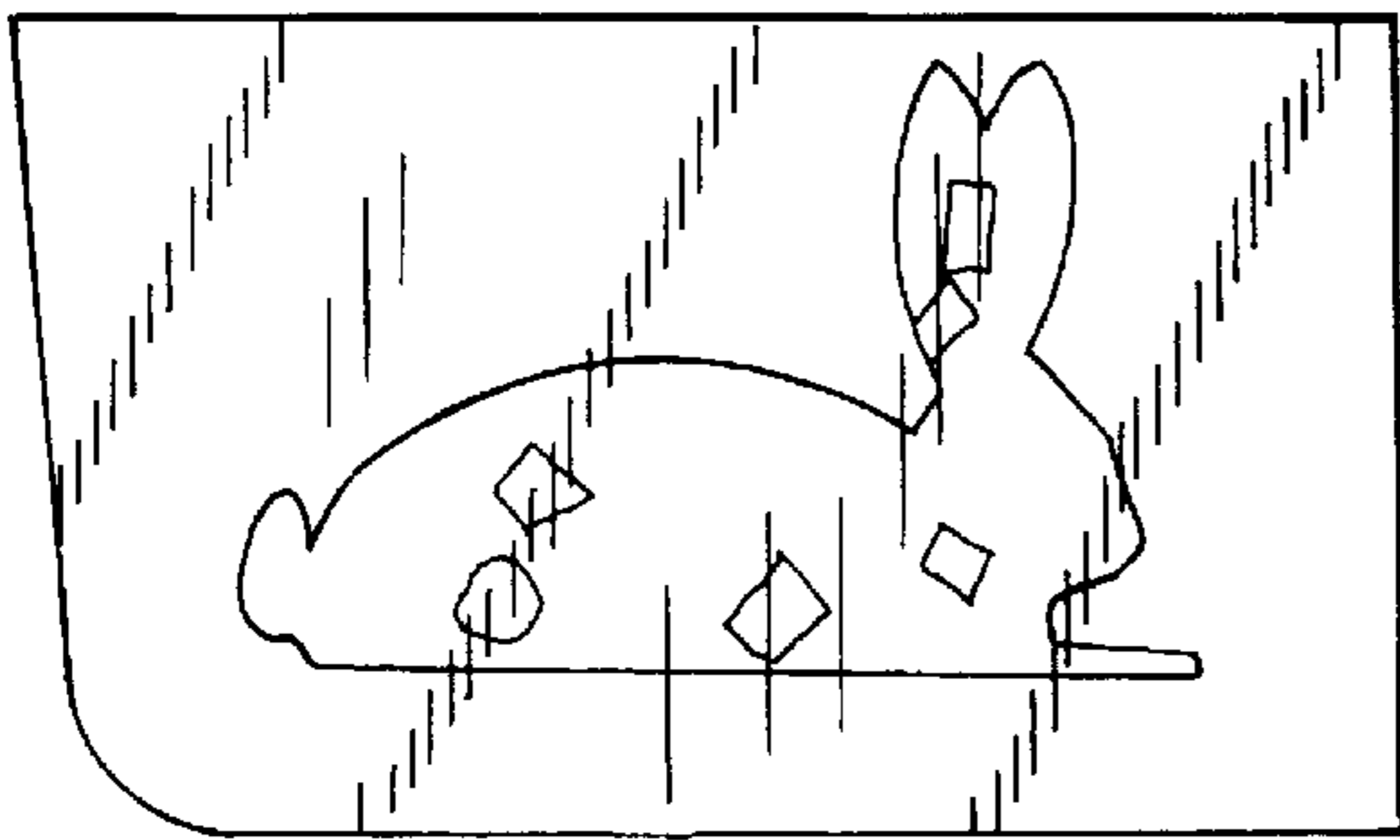
**1 Claim, 1 Drawing Sheet**



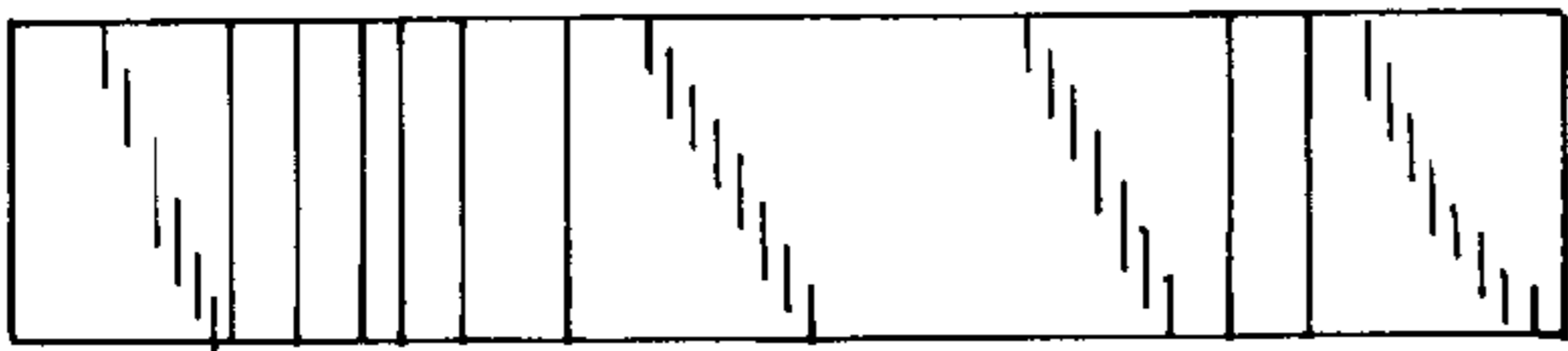
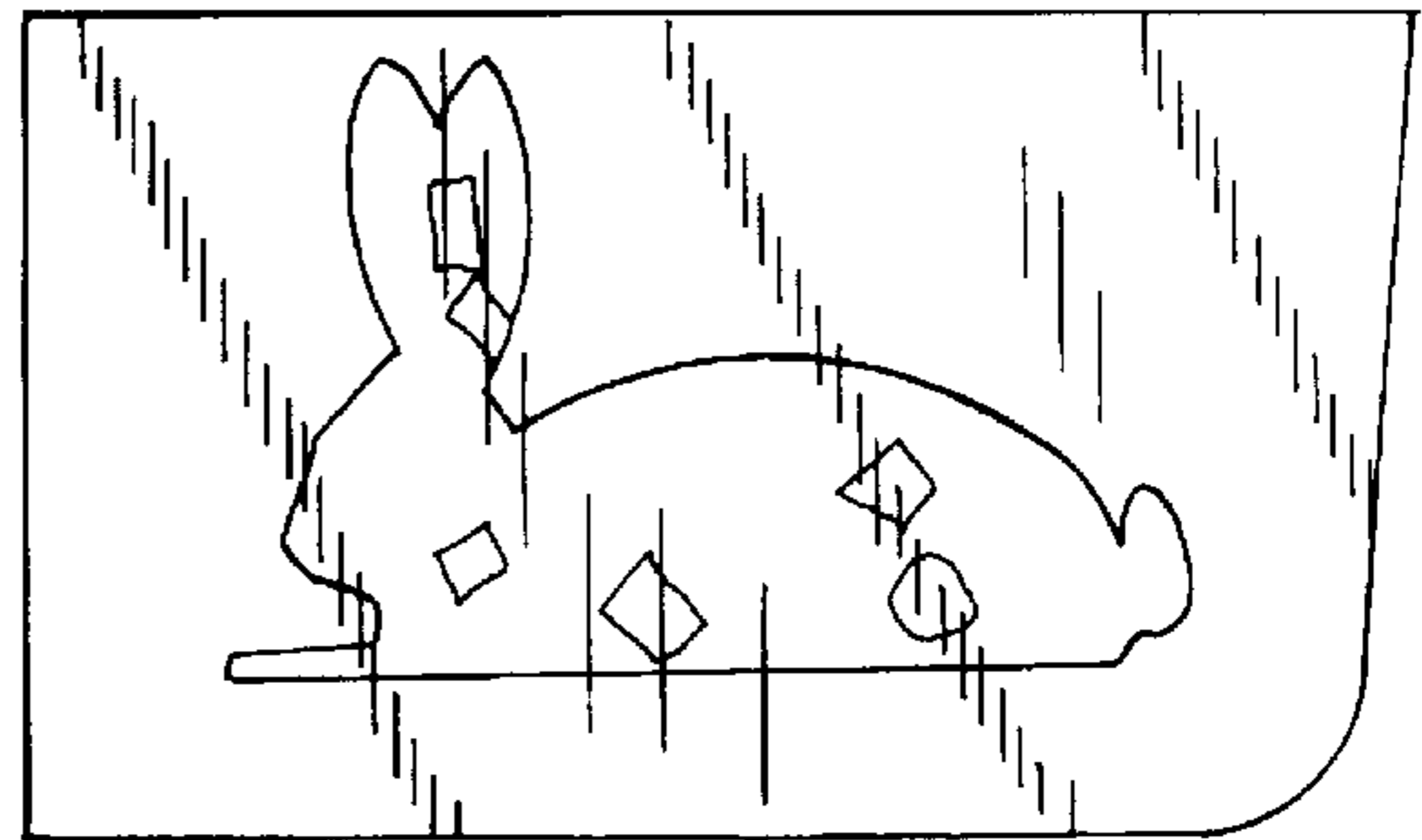
**Fig. 1**



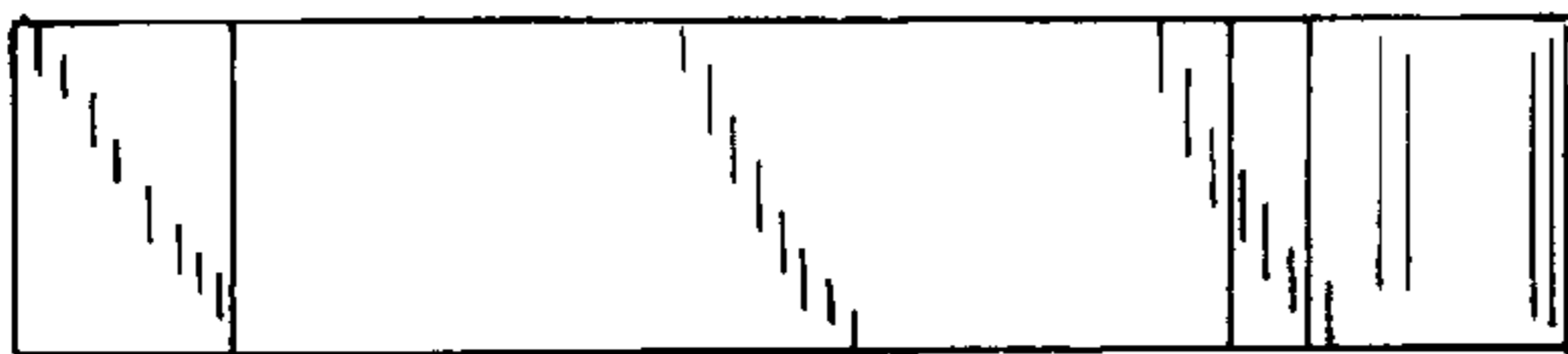
**Fig. 2**



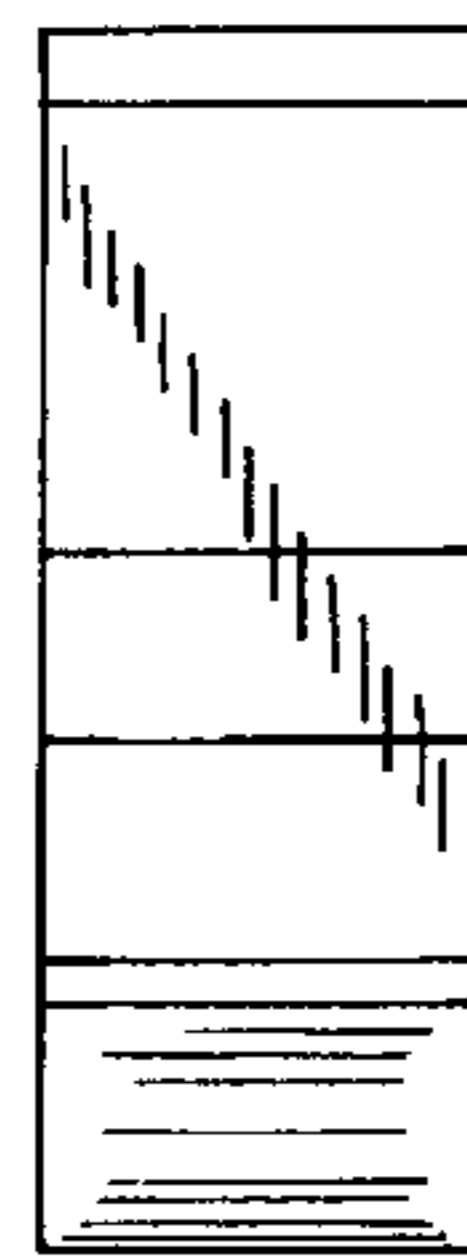
**Fig. 3**



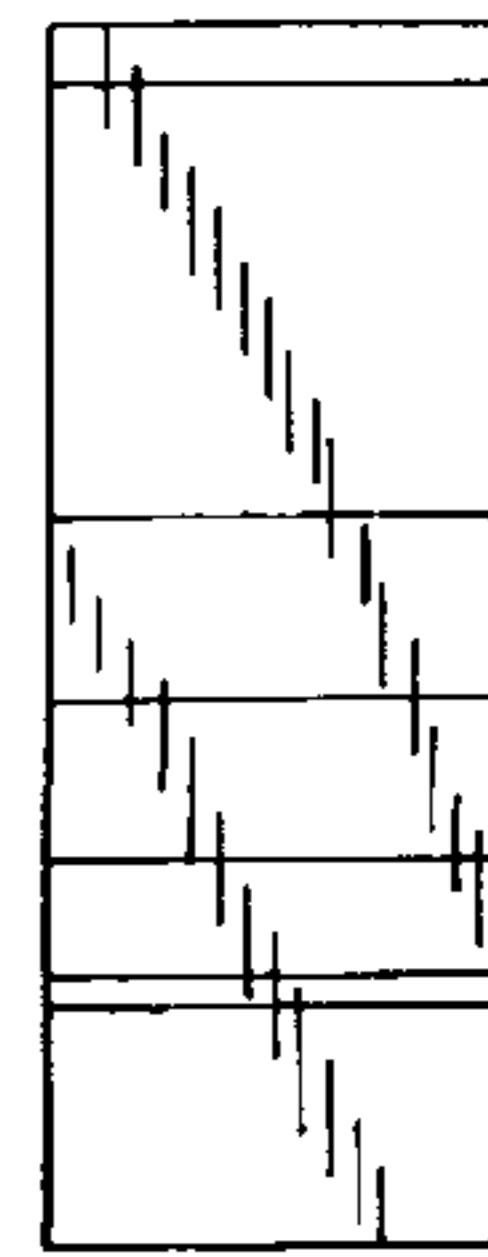
**Fig. 4**



**Fig. 5**



**Fig. 6**



**Fig. 7**