



US00D428525S

United States Patent [19]
Gazzo

[11] **Patent Number: Des. 428,525**
[45] **Date of Patent: ** Jul. 18, 2000**

[54] **LIQUID DISPENSING NOZZLE, HAVING A PLURALITY OF SPRAY NOZZLES, ADAPTED TO BE DETACHABLY CONNECTED TO A CONTAINER OF LIQUID**

[76] Inventor: **Phillip Gazzo**, P.O. Box 2003, Fitzroy, Victoria 3065, Australia

[**] Term: **14 Years**

[21] Appl. No.: **29/108,037**

[22] Filed: **Jul. 19, 1999**

Related U.S. Application Data

[62] Continuation of application No. 09/211,173, Dec. 14, 1998, which is a continuation of application No. 08/793,828, filed as application No. PCT/AU95/00486, Aug. 14, 1995, abandoned.

[51] **LOC (7) Cl.** **28-02**

[52] **U.S. Cl.** **D28/7**

[58] **Field of Search** D23/213; D9/447; D28/7; 239/546, 566; 401/268; 132/112, 113, 114

[56] **References Cited**

U.S. PATENT DOCUMENTS

D. 186,350	10/1959	Lerner	D28/7
D. 401,380	11/1998	Steen et al.	D28/7
2,381,048	8/1945	Habostad	132/112
3,477,447	11/1969	Eldredge	132/112
4,813,439	3/1989	Morgan	132/112
5,152,305	10/1992	Niv	132/112
5,845,651	12/1998	De Nervo	132/114

Primary Examiner—Robin V. Taylor
Attorney, Agent, or Firm—Edwin D. Schindler

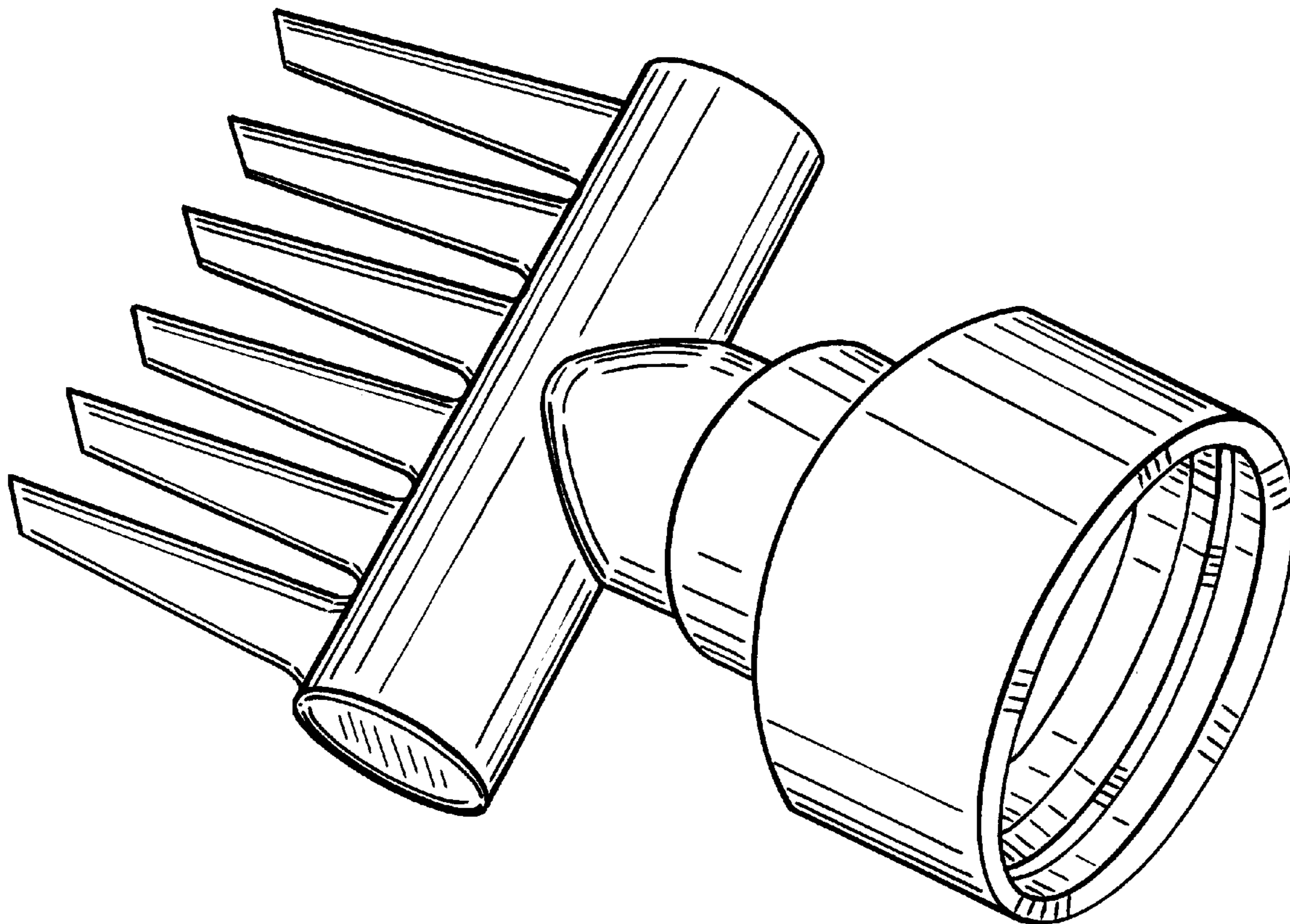
[57] **CLAIM**

The ornamental design for a liquid dispensing nozzle, having a plurality of spray nozzles, adapted to be detachably connected to a container of liquid, as shown and described.

DESCRIPTION

FIG. 1 is a perspective, front view embodying the inventive design of the liquid dispensing nozzle, for which a rear view being a mirror image thereof.

1 Claim, 1 Drawing Sheet



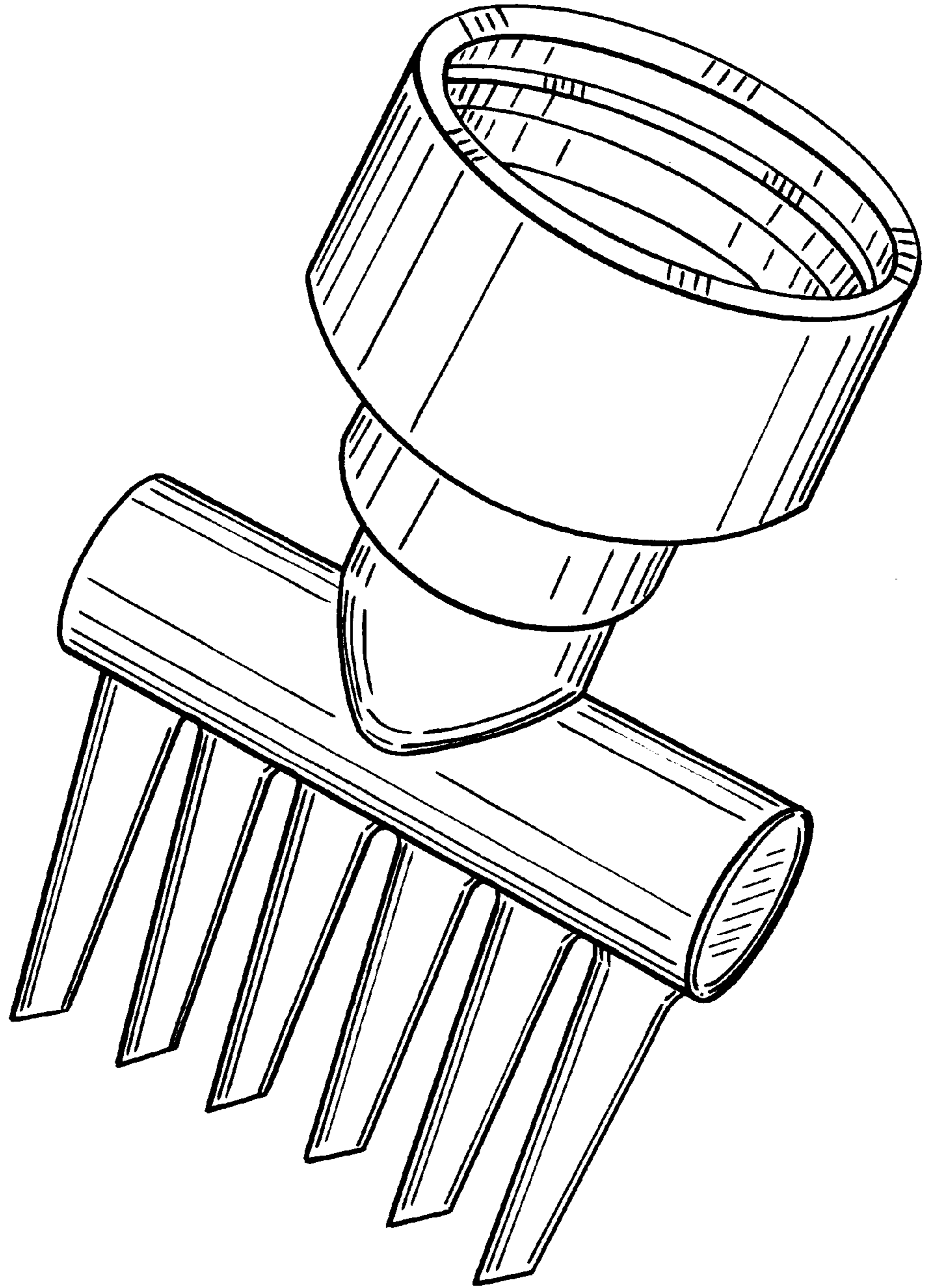


FIG. 1