



US00D428524S

**United States Patent** [19]  
**Green**

[11] **Patent Number: Des. 428,524**  
[45] **Date of Patent: \*\* Jul. 18, 2000**

[54] **LIGHTER CASE**

[75] Inventor: **Todd D. Green**, Greenfield, Ind.

[73] Assignee: **Novelty, Inc.**, Greenfield, Ind.

[\*\*] Term: **14 Years**

[21] Appl. No.: **29/106,027**

[22] Filed: **Jun. 7, 1999**

- D. 358,681 5/1995 Toombs .
- D. 360,483 7/1995 Milazzo .
- D. 367,943 3/1996 Tien .
- D. 371,865 7/1996 Williams .
- 3,473,692 10/1969 Moller .
- 4,880,377 11/1989 Ficho .
- 4,883,187 11/1989 Knitzer .
- 5,056,659 10/1991 Howes et al. .
- 5,099,232 3/1992 Howes .
- 5,439,103 8/1995 Howes .
- 5,636,740 6/1997 Finkiewicz et al. .
- 5,647,499 7/1997 Piazza .
- 5,829,623 11/1998 Otsuka et al. .

**Related U.S. Application Data**

[62] Division of application No. 29/093,882, Sep. 21, 1998, Pat. No. Des. 417,524.

[51] **LOC (7) Cl.** ..... **27-05**

[52] **U.S. Cl.** ..... **D27/144; D27/161; D27/192**

[58] **Field of Search** ..... D27/139, 141-161, D27/118, 172, 186, 188, 189, 192, 193; 431/253; 206/85-89, 261, 262, 457; 220/906

[56] **References Cited**

**U.S. PATENT DOCUMENTS**

- D. 39,605 10/1908 Hubert .
- D. 80,495 2/1930 Reilly .
- D. 151,946 11/1948 Treiss .
- D. 152,386 1/1949 Zelenka .
- D. 158,906 6/1950 Stalker .
- D. 177,893 6/1956 Breitenstein .
- D. 199,765 12/1964 Sharma .
- D. 208,573 9/1967 Rappoport .
- D. 237,403 10/1975 Koch .
- D. 246,912 1/1978 Adelhardt .
- D. 272,660 2/1984 Torreblanca Cervantes .
- D. 295,224 4/1988 Miyamoto .
- D. 308,929 7/1990 Greig et al. .

**OTHER PUBLICATIONS**

Beer Can Lighter, Here's How Catalog, Jan. 1990, p. 65.  
Beer Light, Firebird Catalog, Jan. 1990, p. 3.

*Primary Examiner*—Susan J. Lucas  
*Assistant Examiner*—Jennifer Rivard  
*Attorney, Agent, or Firm*—Woodard, Emhardt, Naughton Moriarty & McNett

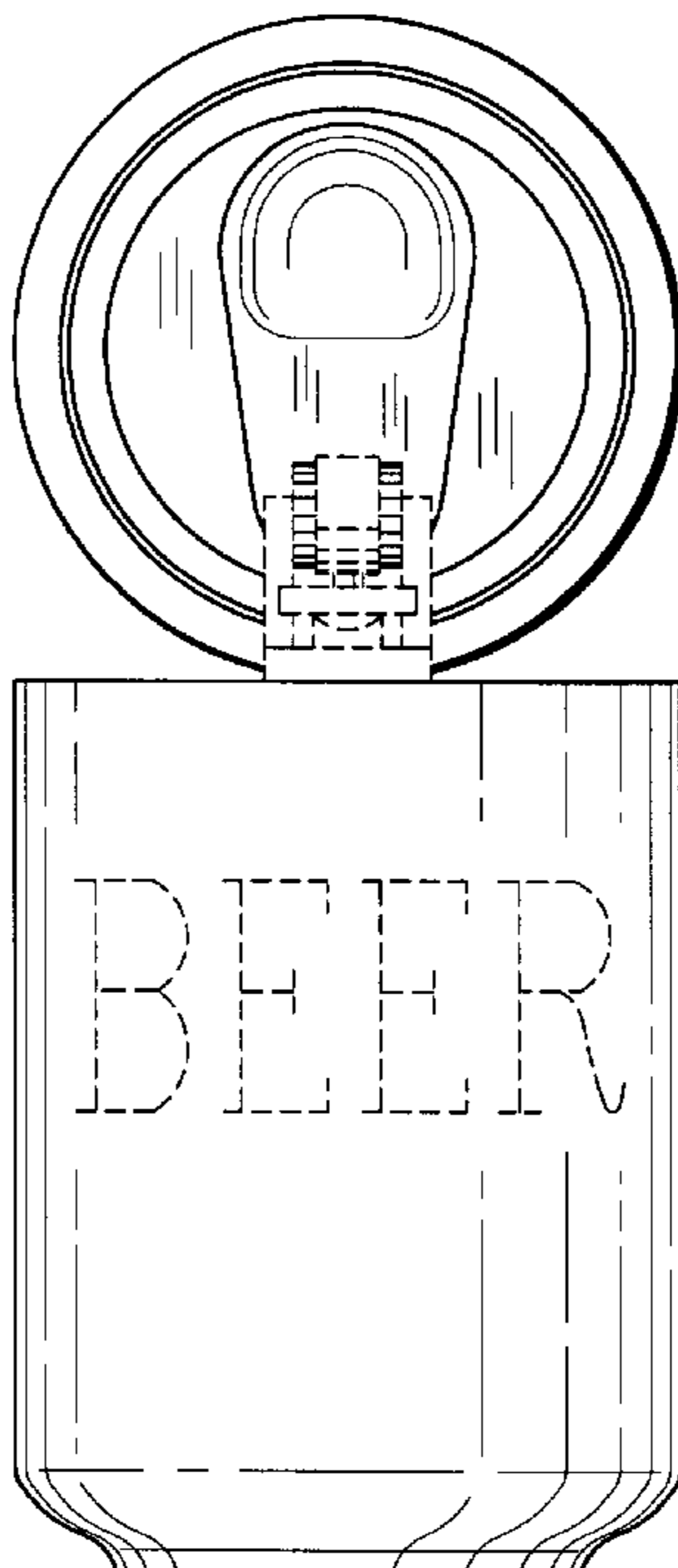
[57] **CLAIM**

The ornamental design for a lighter case, as shown and described.

**DESCRIPTION**

FIG. 1 is a front elevational view of my lighter case; FIG. 2 is a rear elevational view of my lighter case. FIG. 3 is a left side elevational view of my lighter case. FIG. 4 is a right side elevational view of my lighter case. FIG. 5 is a top plan view of my lighter case; and, FIG. 6 is a bottom plan view of my lighter case. The broken lines are shown for illustrative purposes only and form no part of the claimed design.

**1 Claim, 5 Drawing Sheets**



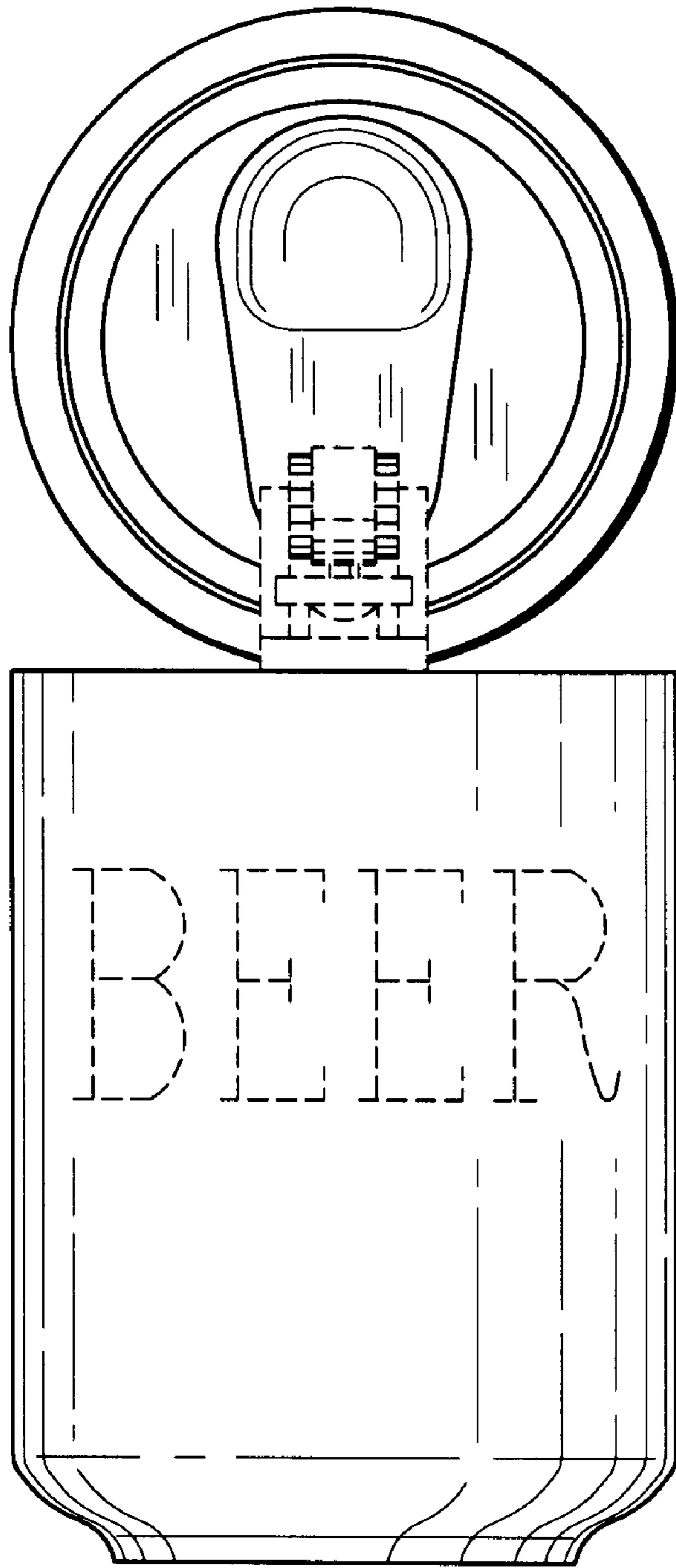


Fig. 1

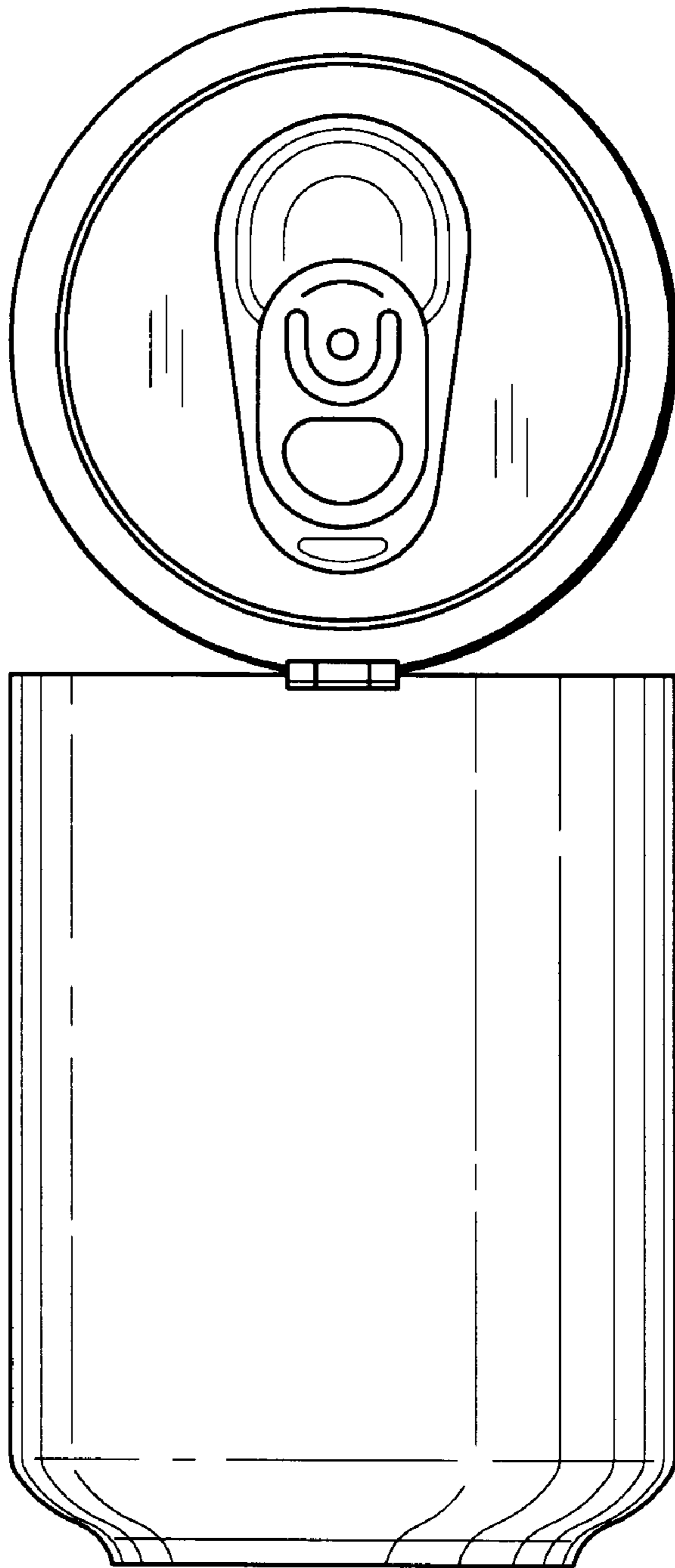


Fig. 2

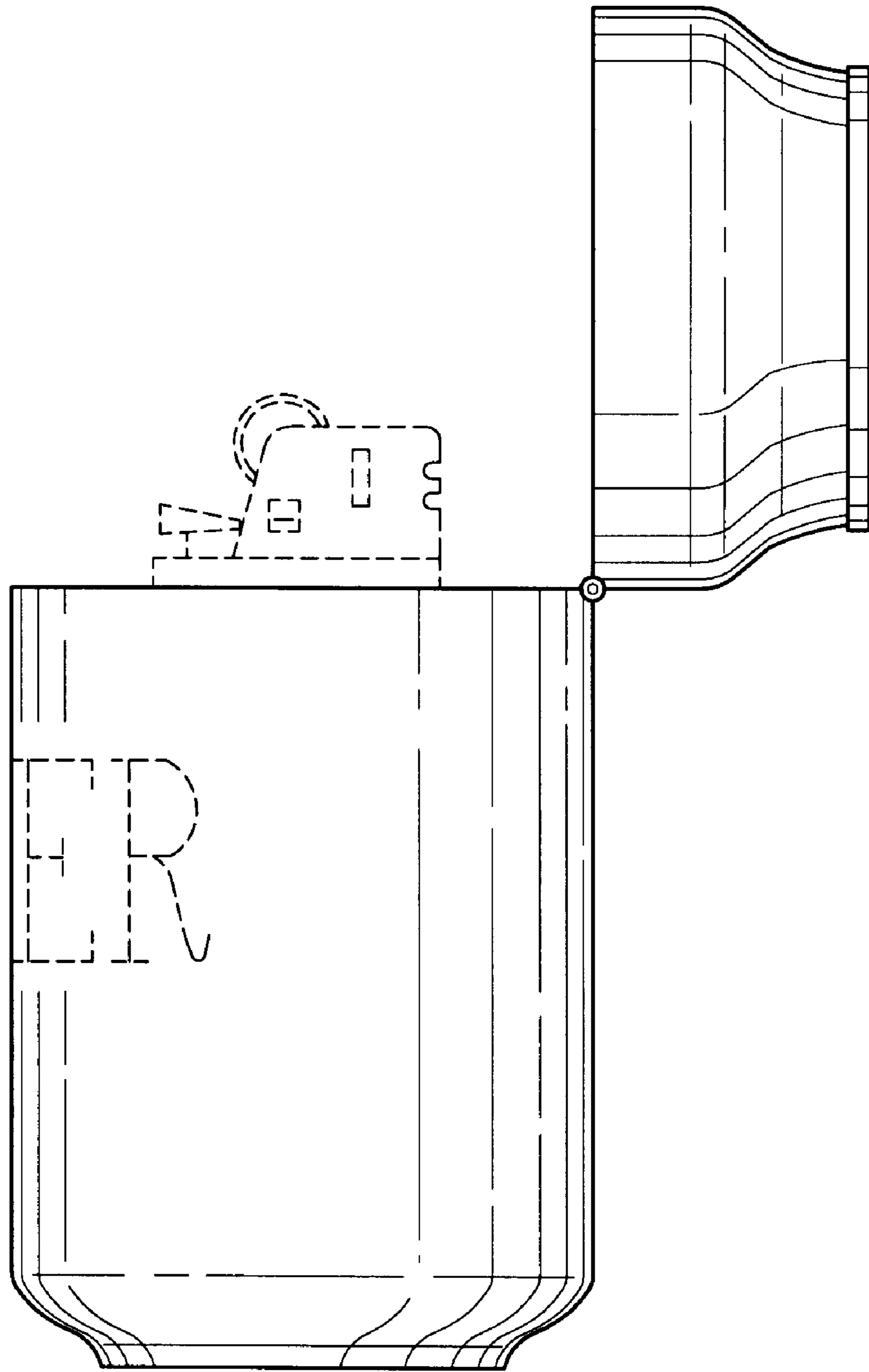


Fig. 3

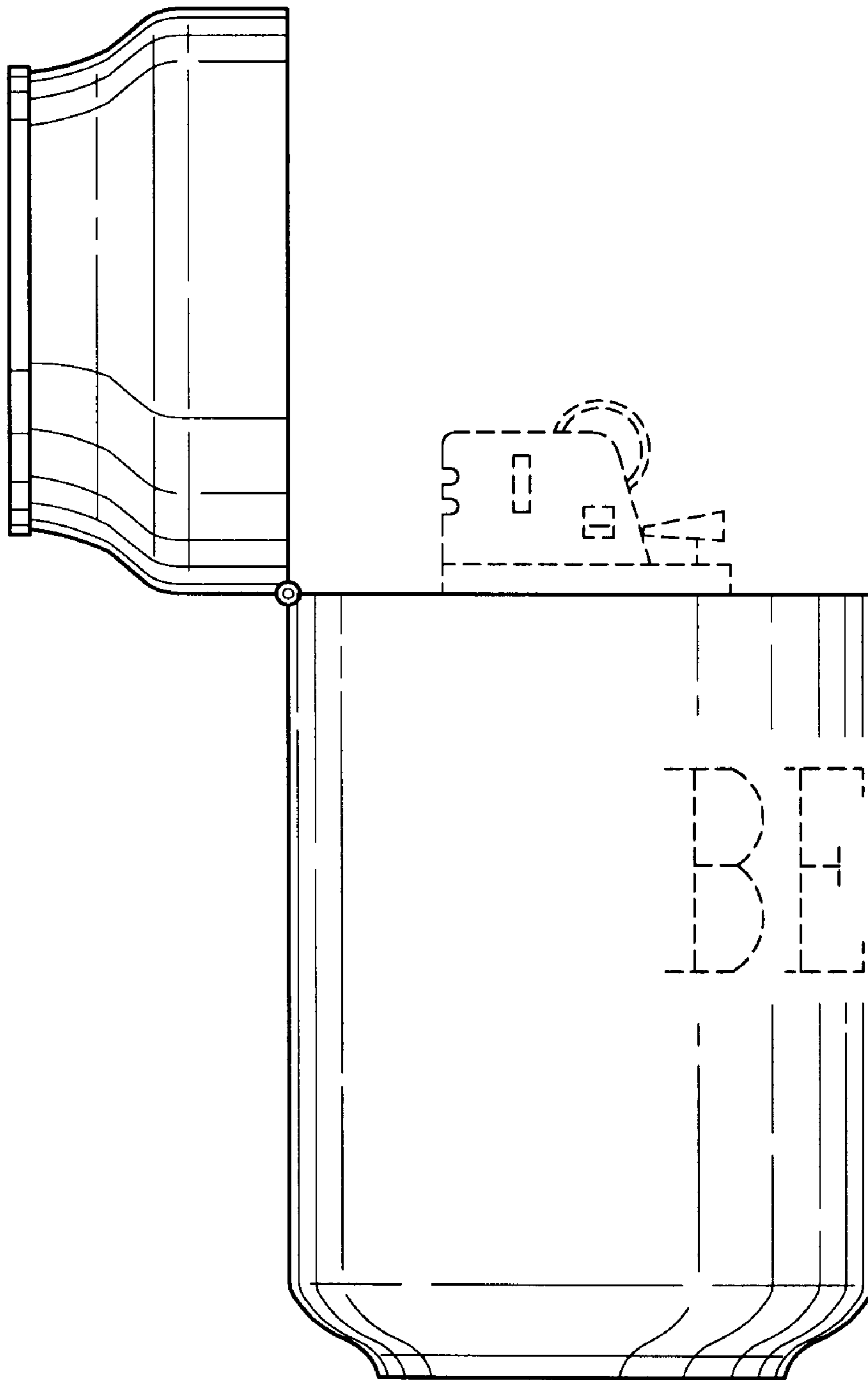


Fig. 4

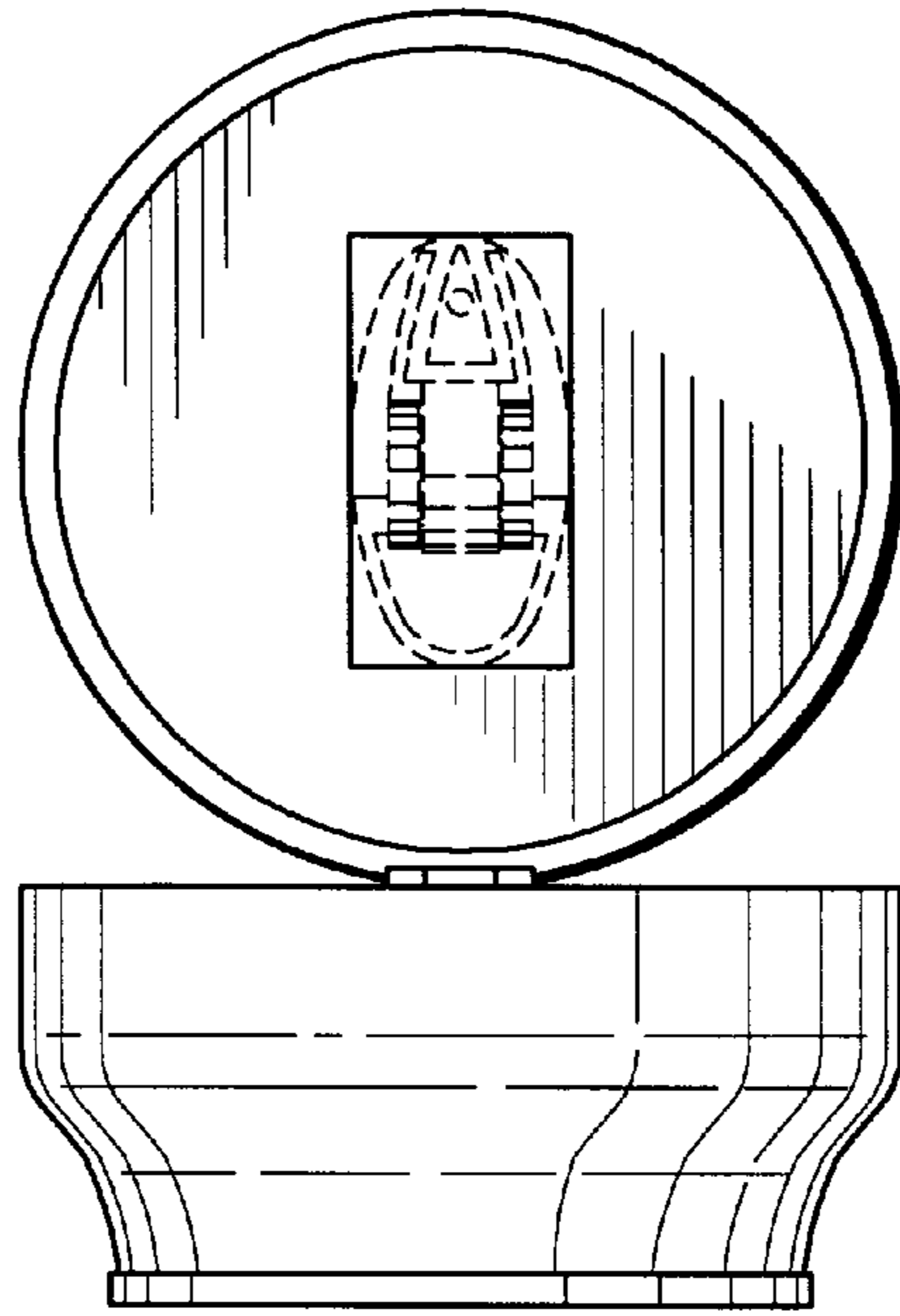


Fig. 5

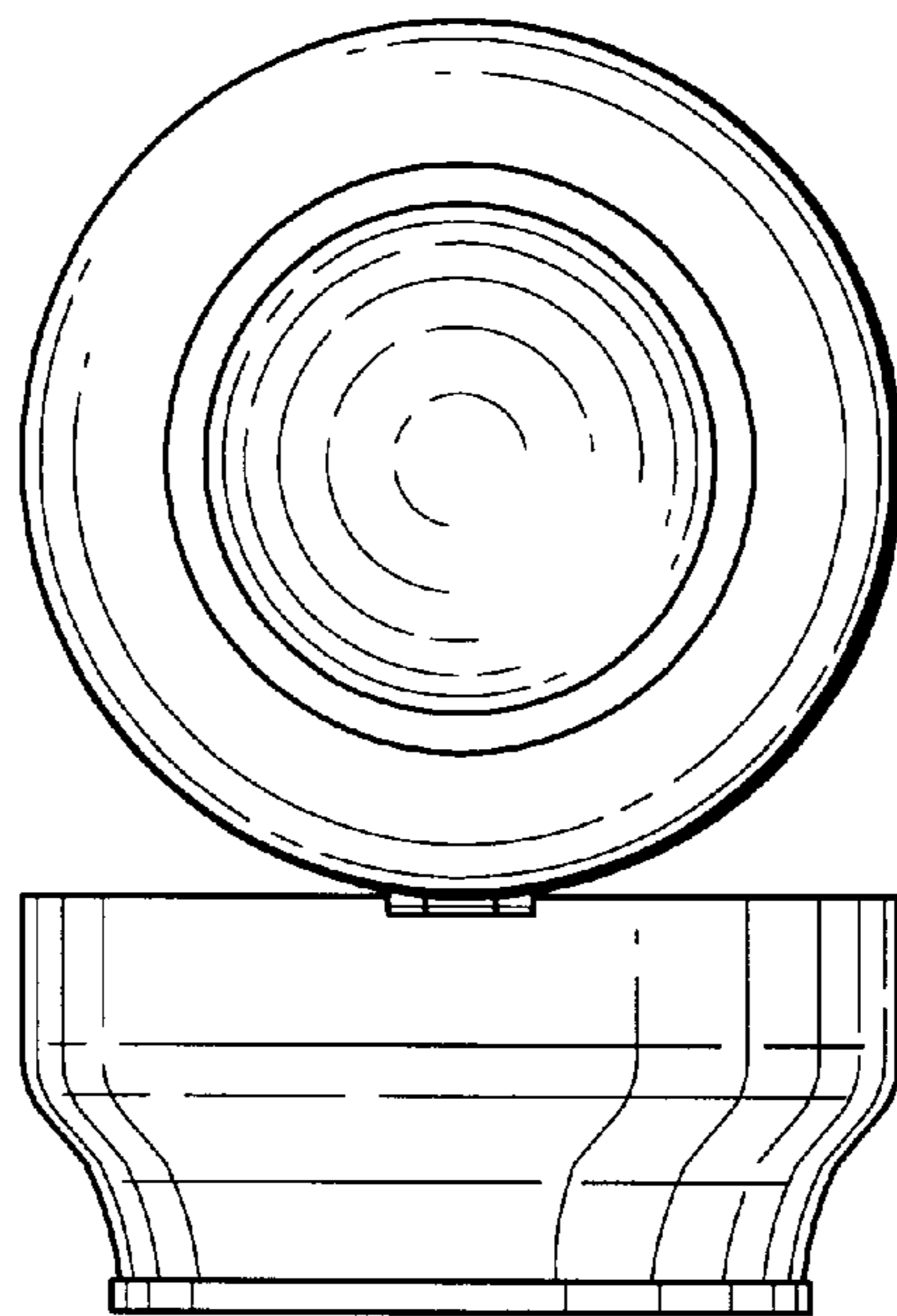


Fig. 6