



US00D428518S

United States Patent [19]

[11] Patent Number: **Des. 428,518**

Leen

[45] Date of Patent: **** Jul. 18, 2000**

[54] **PORTABLE HALOGEN LIGHT STAND WITH DETACHABLE HANDLE**

3,326,509 6/1967 Kuttler 248/176.1 X
5,958,111 3/1994 Chiu 248/127 X

[76] Inventor: **Monte A. Leen**, 11730 NE. 12th St., Bellevue, Wash. 98005

OTHER PUBLICATIONS

Taiwan Lighting, p. 176, cord reel and light support, (located at bottom of page), Aug. 1997.

[**] Term: **14 Years**

Primary Examiner—Holly Baynham
Attorney, Agent, or Firm—Dean A. Craine

[21] Appl. No.: **29/107,724**

[22] Filed: **Jul. 13, 1999**

[57] CLAIM

[51] **LOC (7) Cl.** **26-99**

[52] **U.S. Cl.** **D26/138**

[58] **Field of Search** D26/60-65; 362/267, 362/277, 287, 418, 419, 427

The ornamental design for a portable halogen light stand with detachable handle, as shown and described.

DESCRIPTION

[56] References Cited

U.S. PATENT DOCUMENTS

D. 369,227	4/1996	Sumer	D26/63
D. 375,377	11/1996	Leen	D26/63
D. 385,640	10/1997	Leen	D26/63
D. 388,209	12/1997	Grossman et al.	D26/63
D. 395,140	6/1998	O'Rourke	D26/140
D. 396,320	7/1998	Patterson	D26/140
D. 403,094	12/1998	Grossman et al.	D26/63
D. 403,455	12/1998	Duennes	D26/63

FIG. 1 is a perspective view of the portable halogen light stand with detachable handle.

FIG. 2 is a front plan view of the invention.

FIG. 3 is a rear plan view of the invention.

FIG. 4 is a top plan view of the invention.

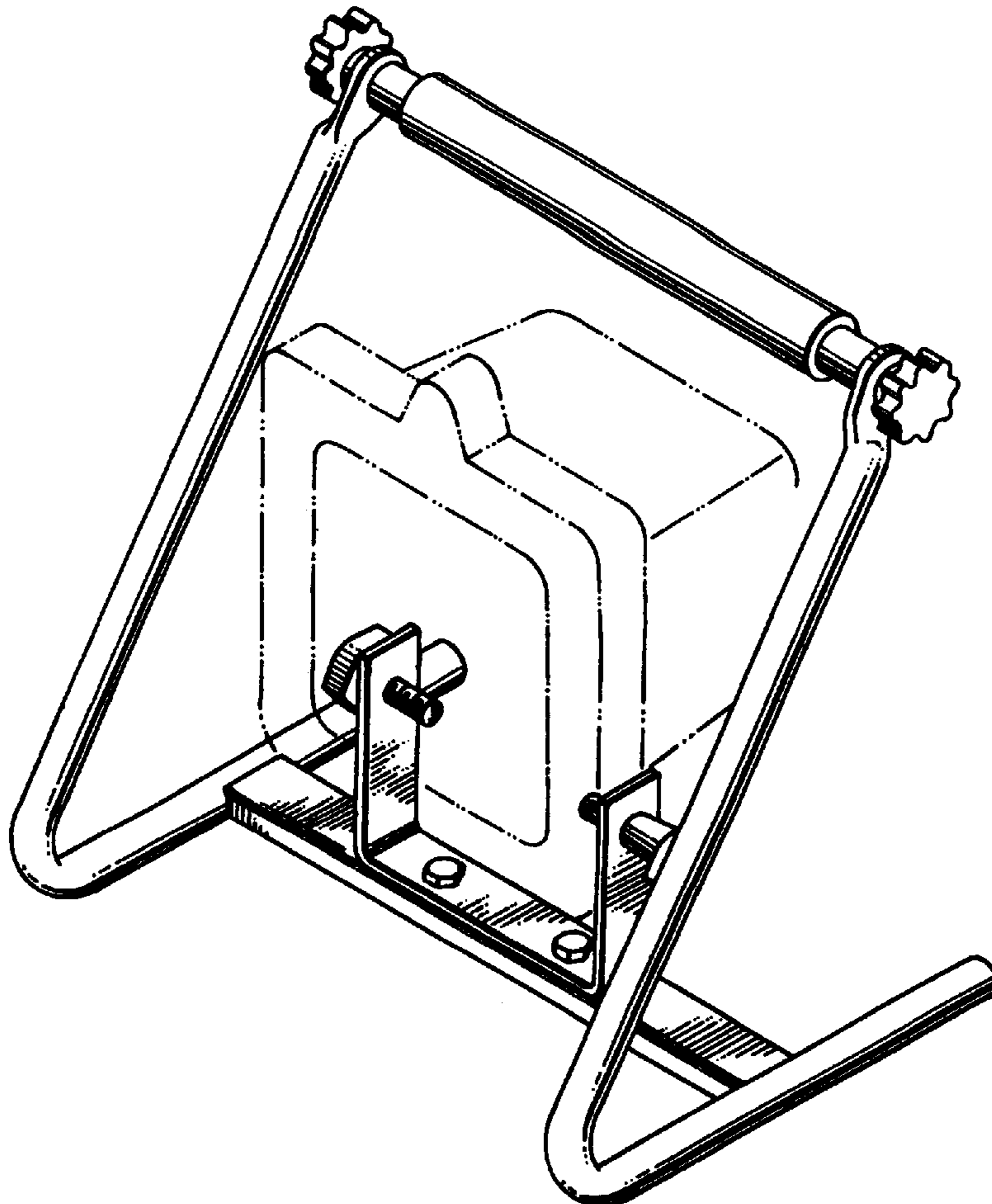
FIG. 5 is a bottom plan view of the invention.

FIG. 6 is a right side elevational view of the invention; and,

FIG. 7 is a left side elevational view of the invention.

The broken line showing of lights is for illustrative purposes only and forms no part of the claimed design.

1 Claim, 2 Drawing Sheets



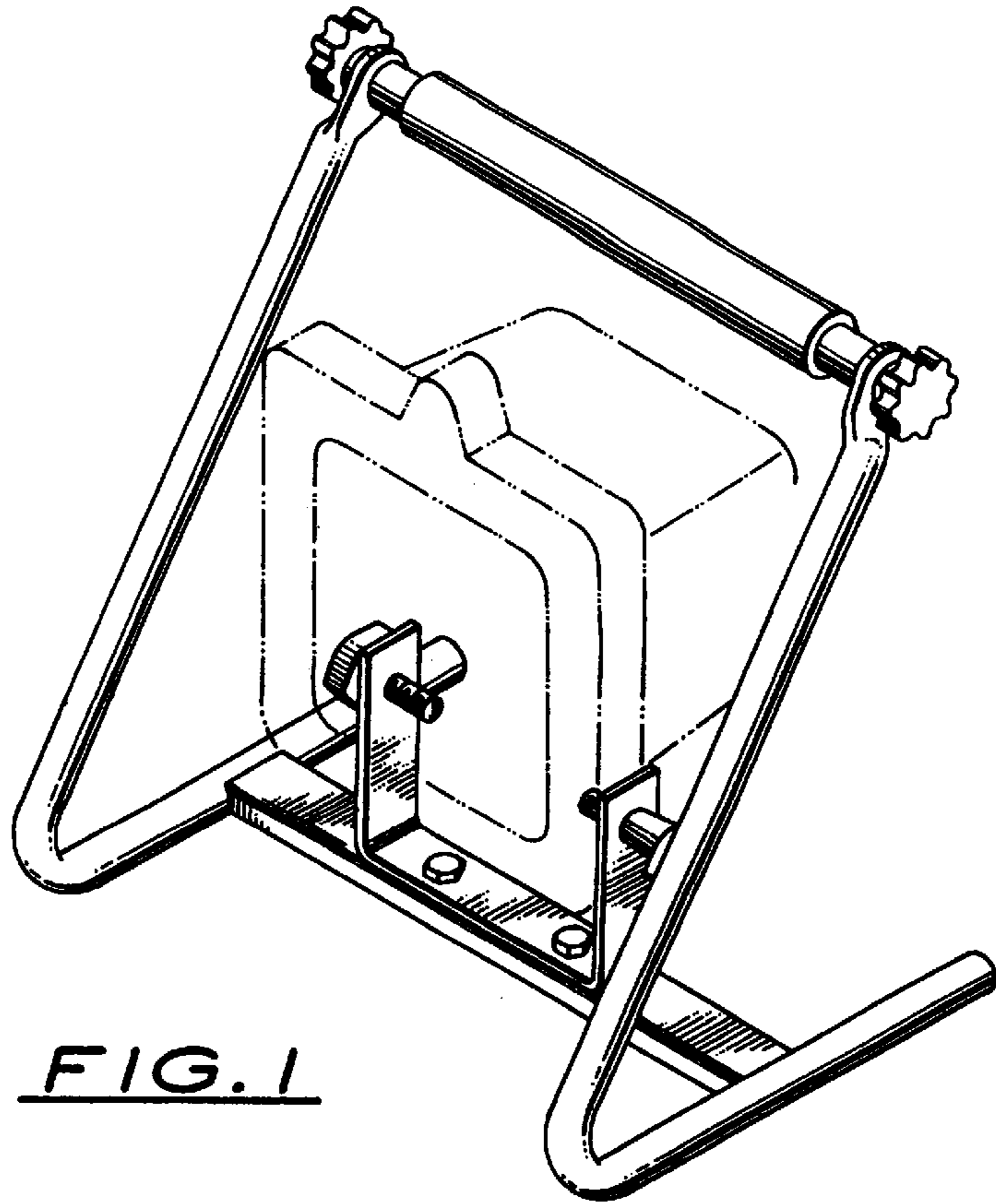


FIG. 1

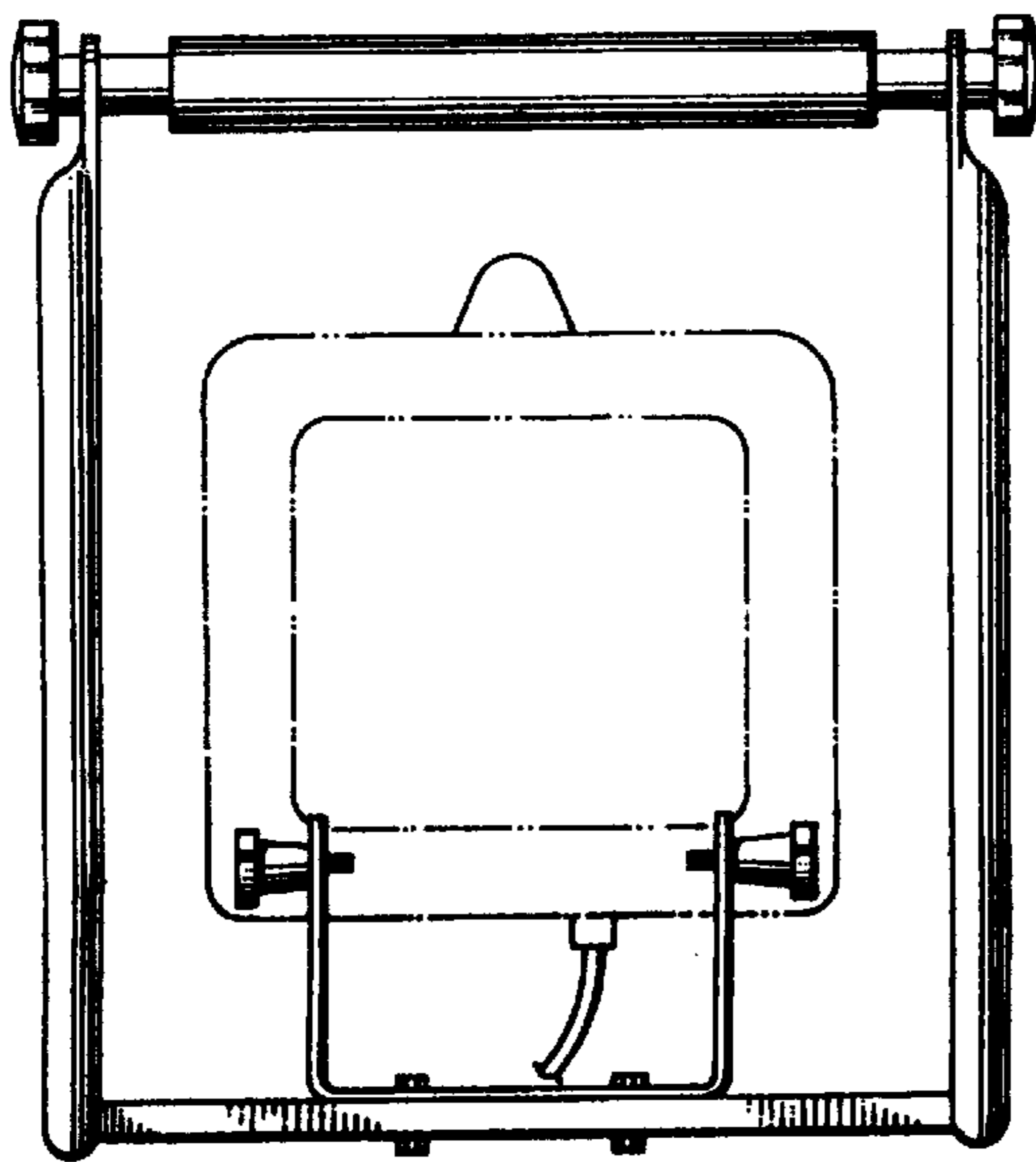


FIG. 2

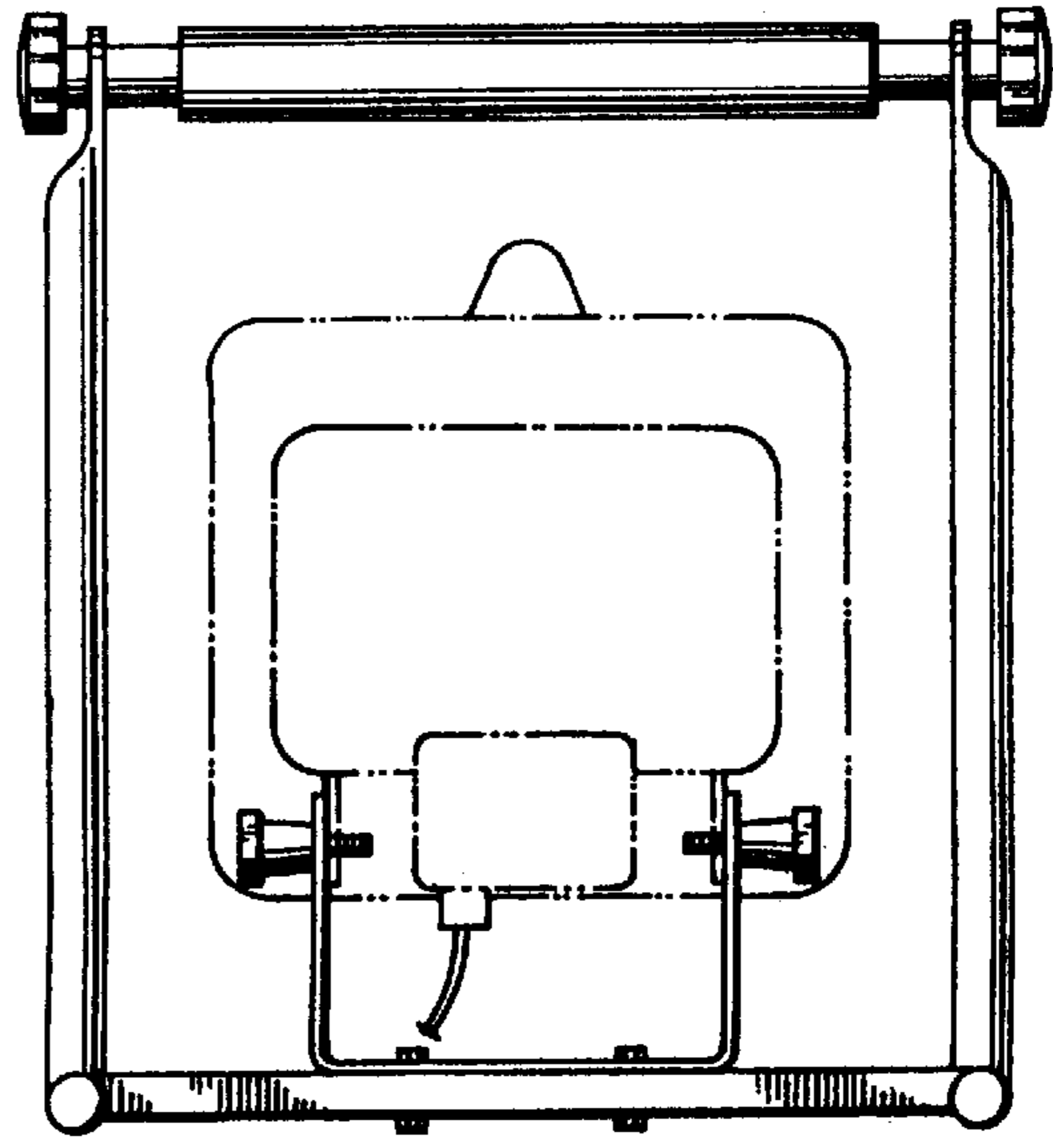


FIG. 3

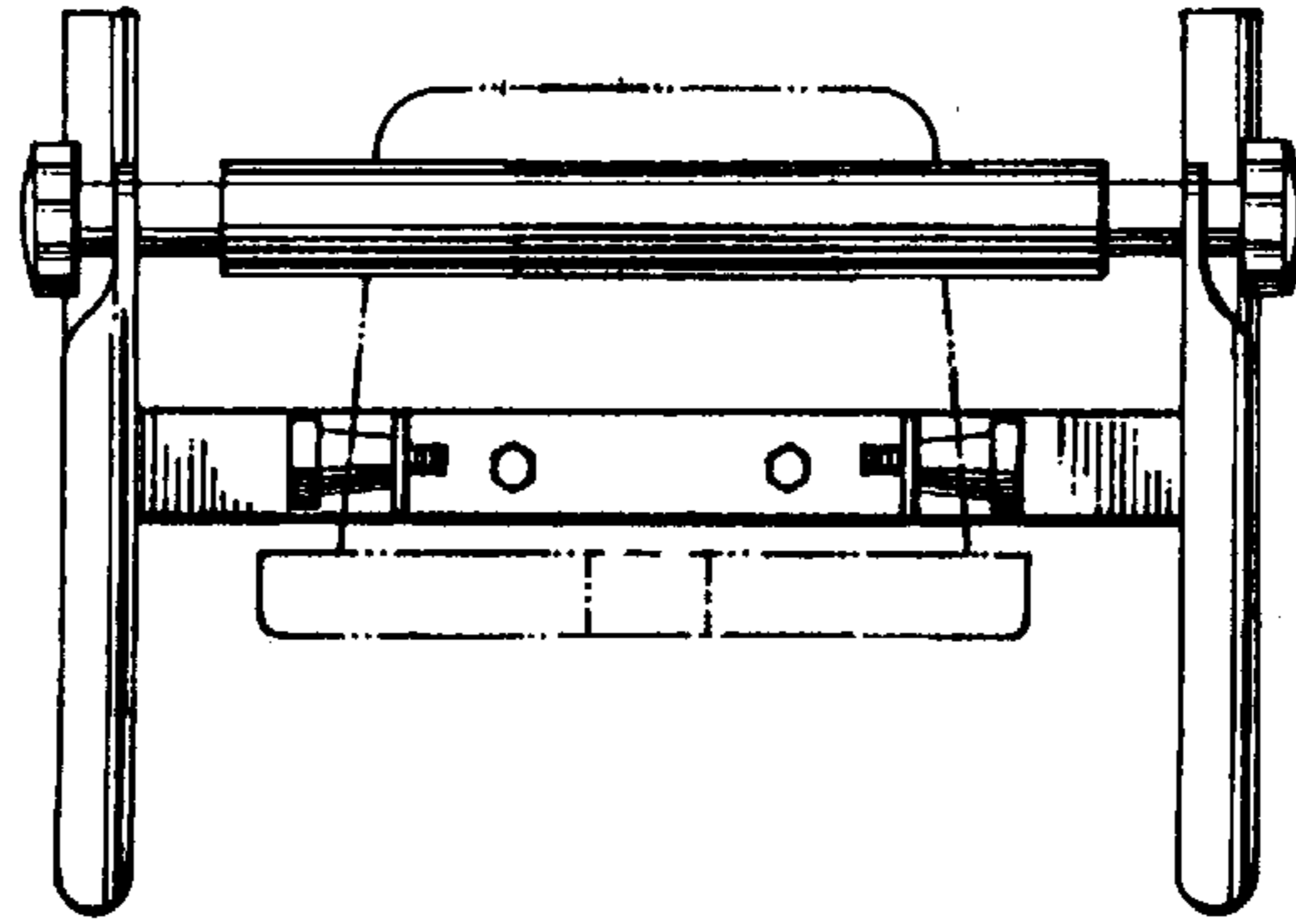


FIG. 4

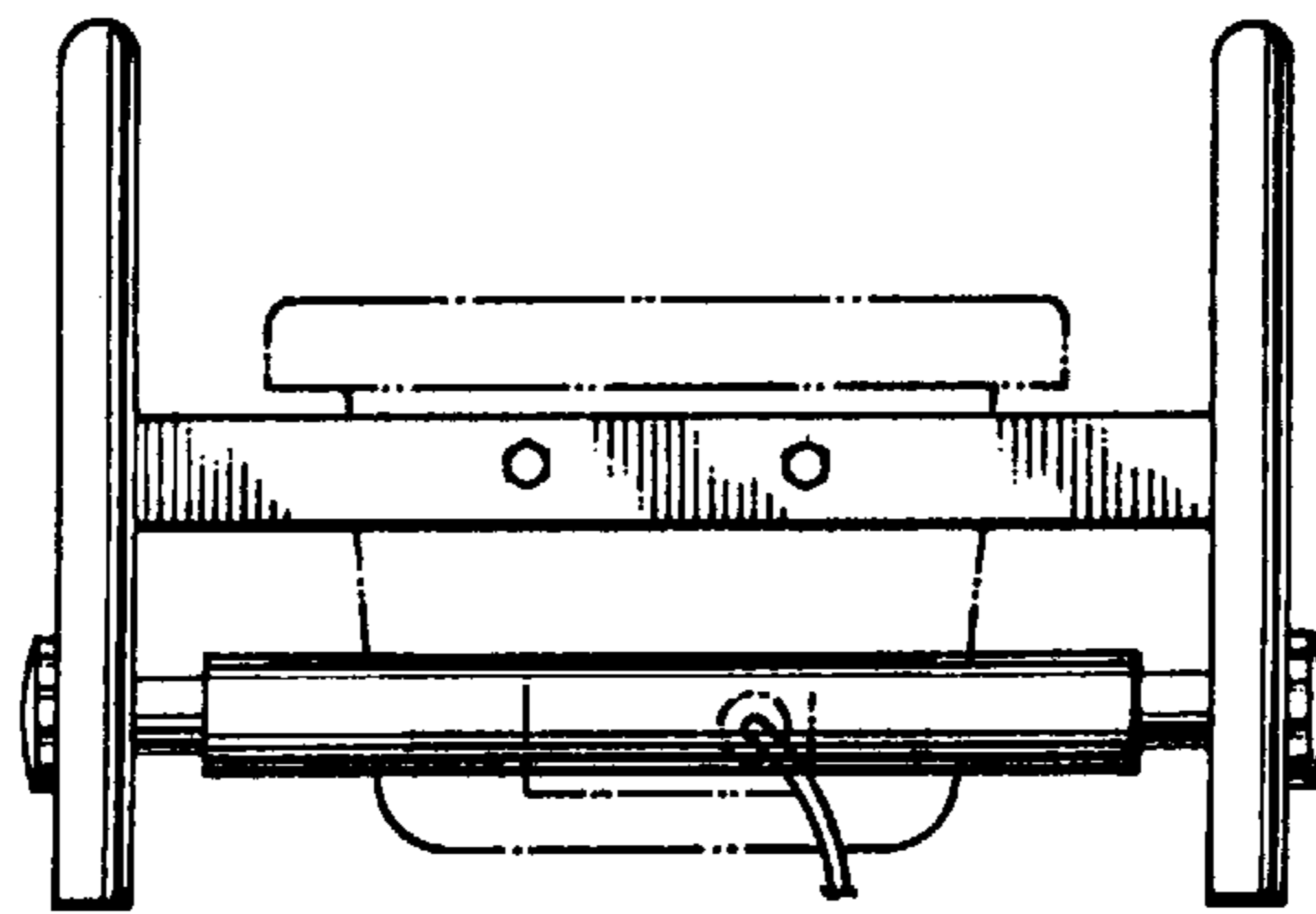


FIG. 5

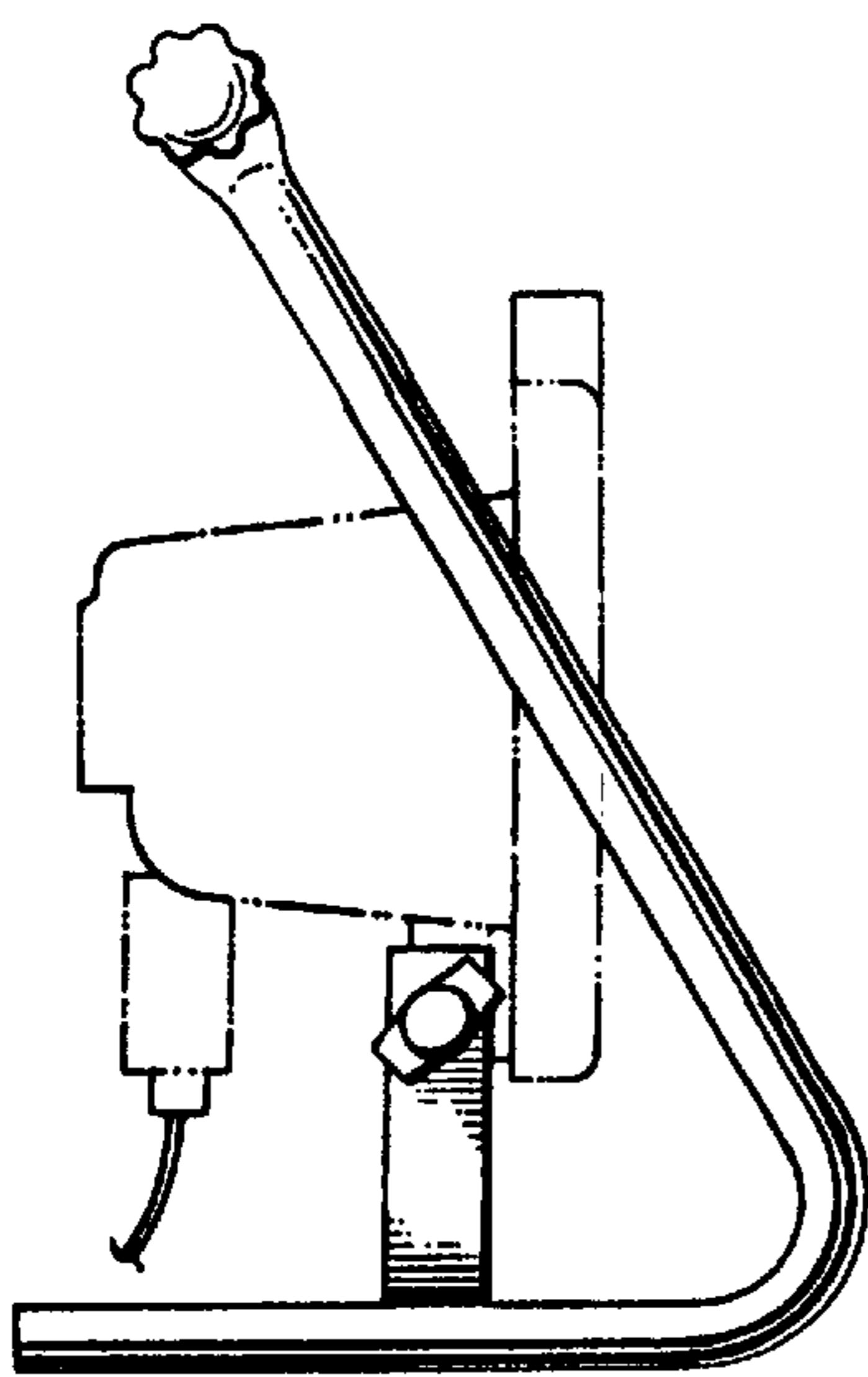


FIG. 6

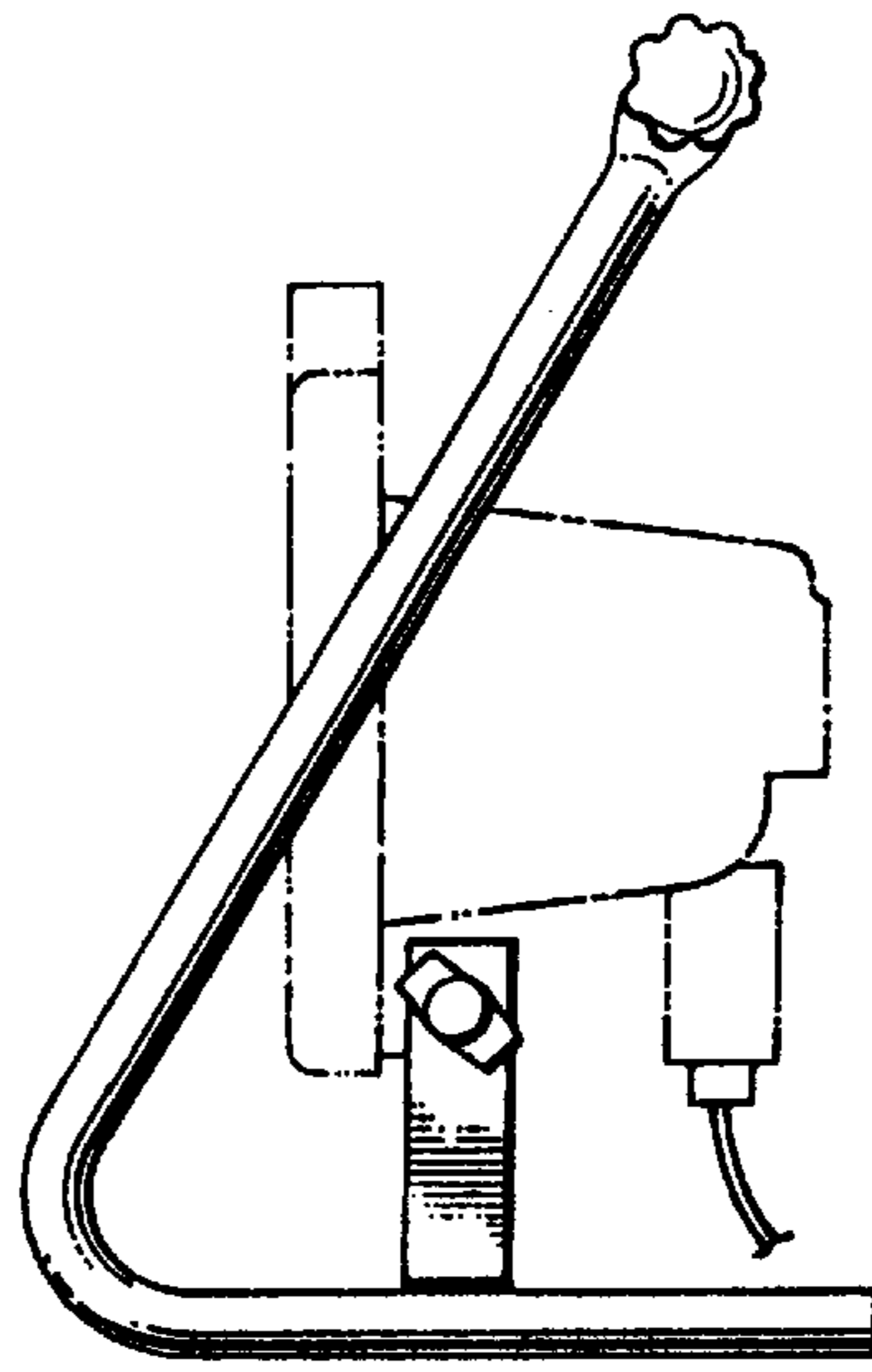


FIG. 7