



US00D428515S

United States Patent [19]
Sherman

[11] **Patent Number: Des. 428,515**
[45] **Date of Patent: ** Jul. 18, 2000**

- [54] **TORCHIERE FLOOR LAMP**
- [75] Inventor: **Roger Neil Sherman**, Jamaica Plain, Mass.
- [73] Assignee: **Tensor Corporation**, Chelsea, Mass.
- [**] Term: **14 Years**
- [21] Appl. No.: **29/110,059**
- [22] Filed: **Aug. 27, 1999**
- [51] **LOC (7) Cl.** **26-03**
- [52] **U.S. Cl.** **D26/110**
- [58] **Field of Search** D26/93-112; 362/410-414

Attorney, Agent, or Firm—James H. Beusse; Holland & Knight LLP

[57] **CLAIM**

The ornamental design for a torchiere floor lamp, as shown and described.

DESCRIPTION

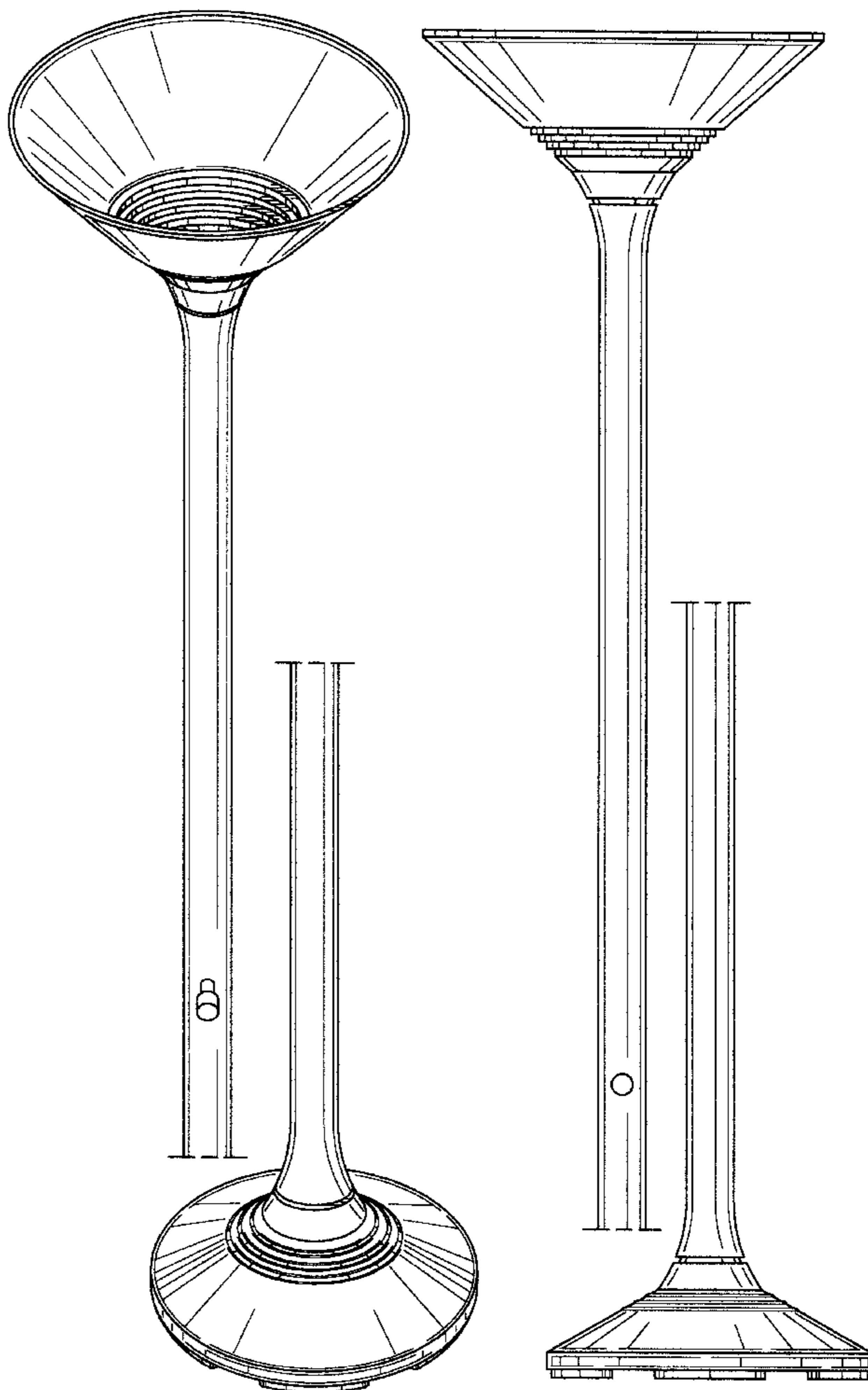
- FIG. 1 is a perspective view of a torchiere floor lamp showing my new design;
- FIG. 2 is a right side elevational view thereof;
- FIG. 3 is a left side elevational view thereof;
- FIG. 4 is a front elevational view;
- FIG. 5 is a rear elevational view thereof;
- FIG. 6 is a top plan view thereof; and,
- FIG. 7 is a bottom plan view thereof.

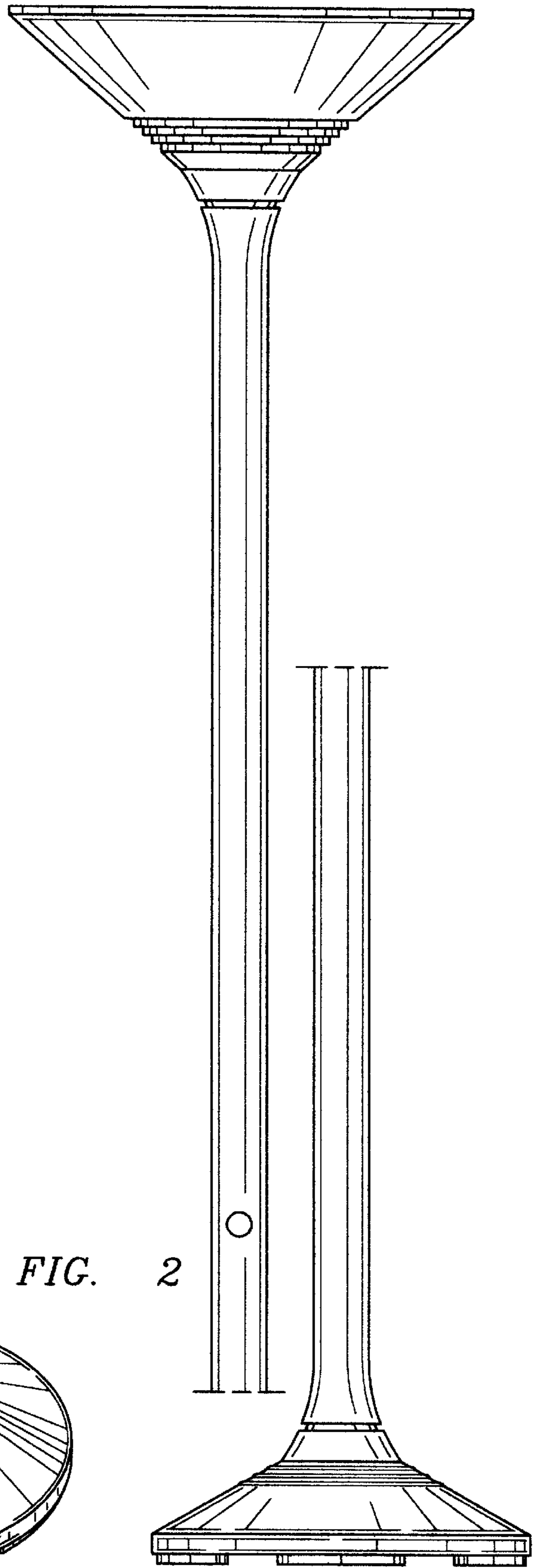
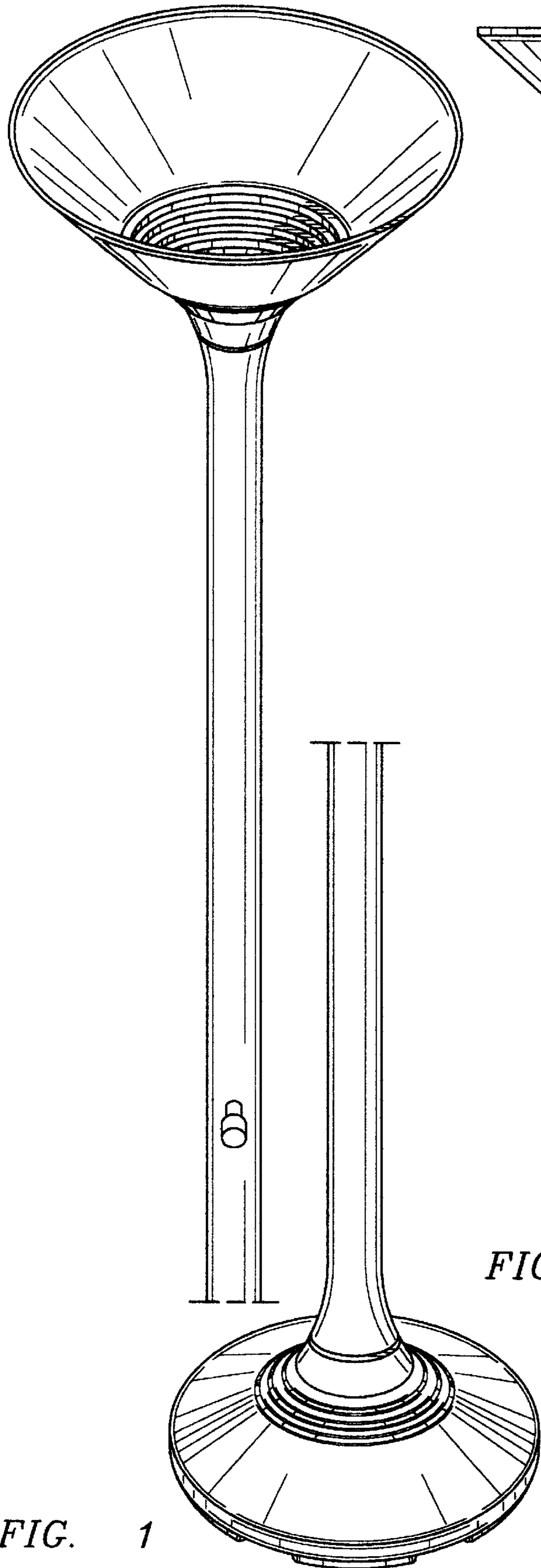
The stem has been shown broken away in the middle in FIGS. 1-5 to indicate indeterminate length.

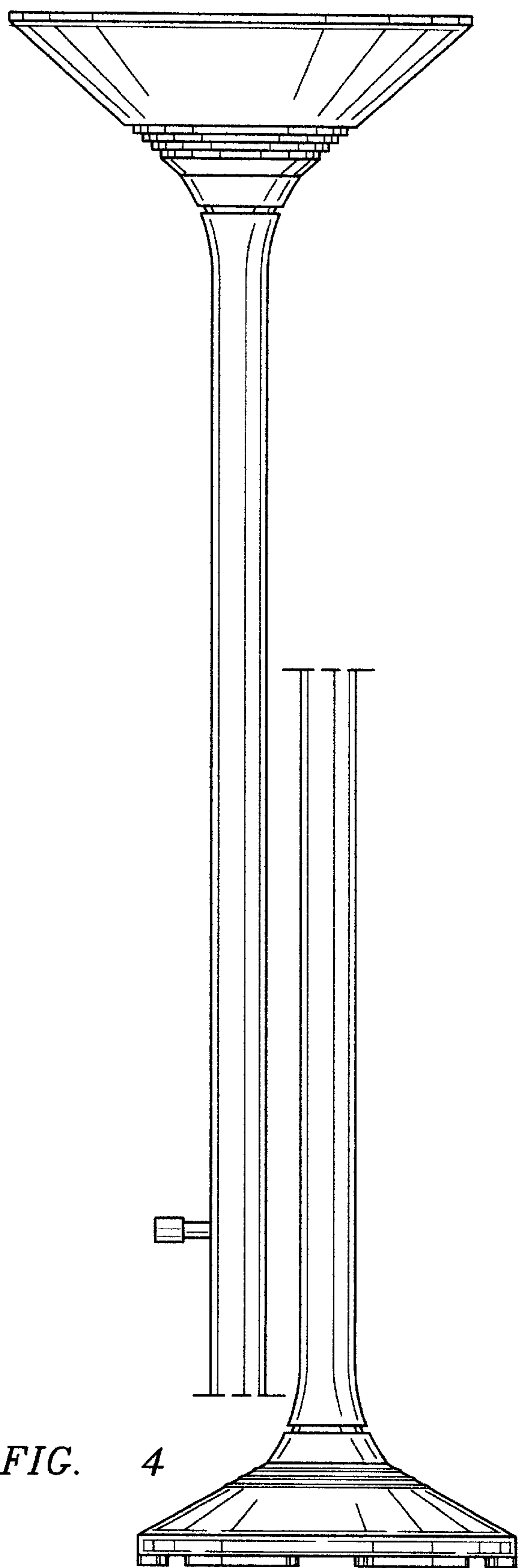
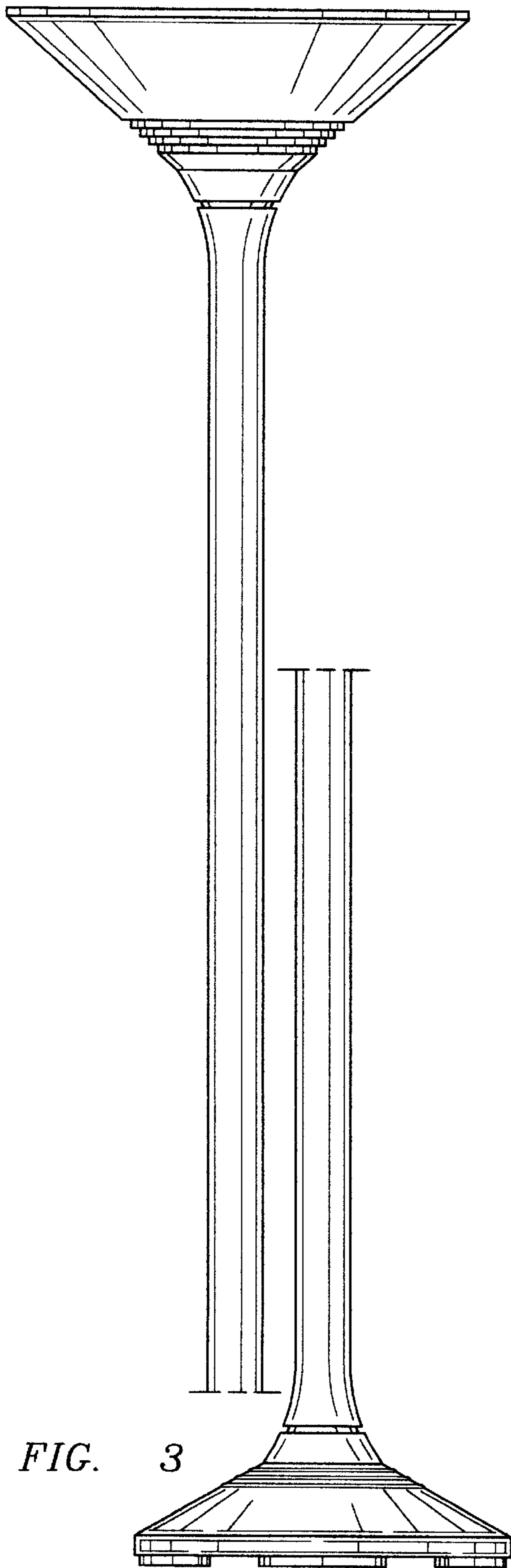
- [56] **References Cited**
- U.S. PATENT DOCUMENTS
- D. 394,729 5/1998 Lee .
- D. 399,334 10/1998 Lo D26/102
- 5,603,562 2/1997 Huang .
- OTHER PUBLICATIONS
- Taiwan Lighting, p. 124, Lamp (A), right side of page, Nov. 1997.

Primary Examiner—Lisa Lichtenstein

1 Claim, 3 Drawing Sheets







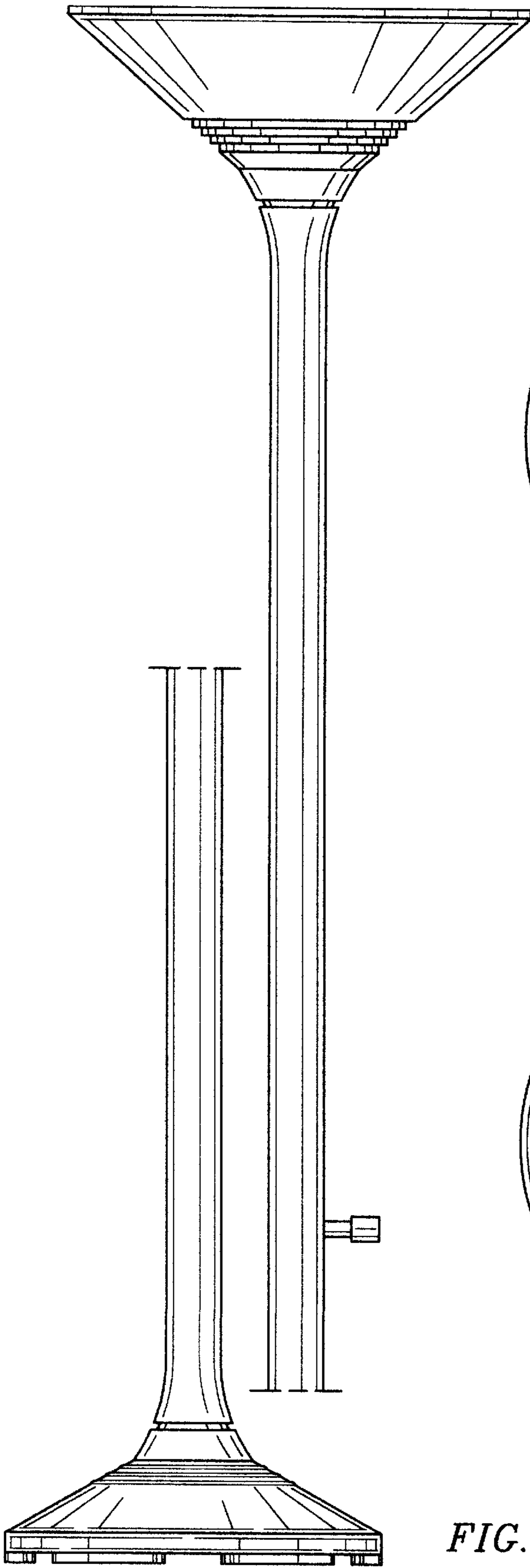


FIG. 5

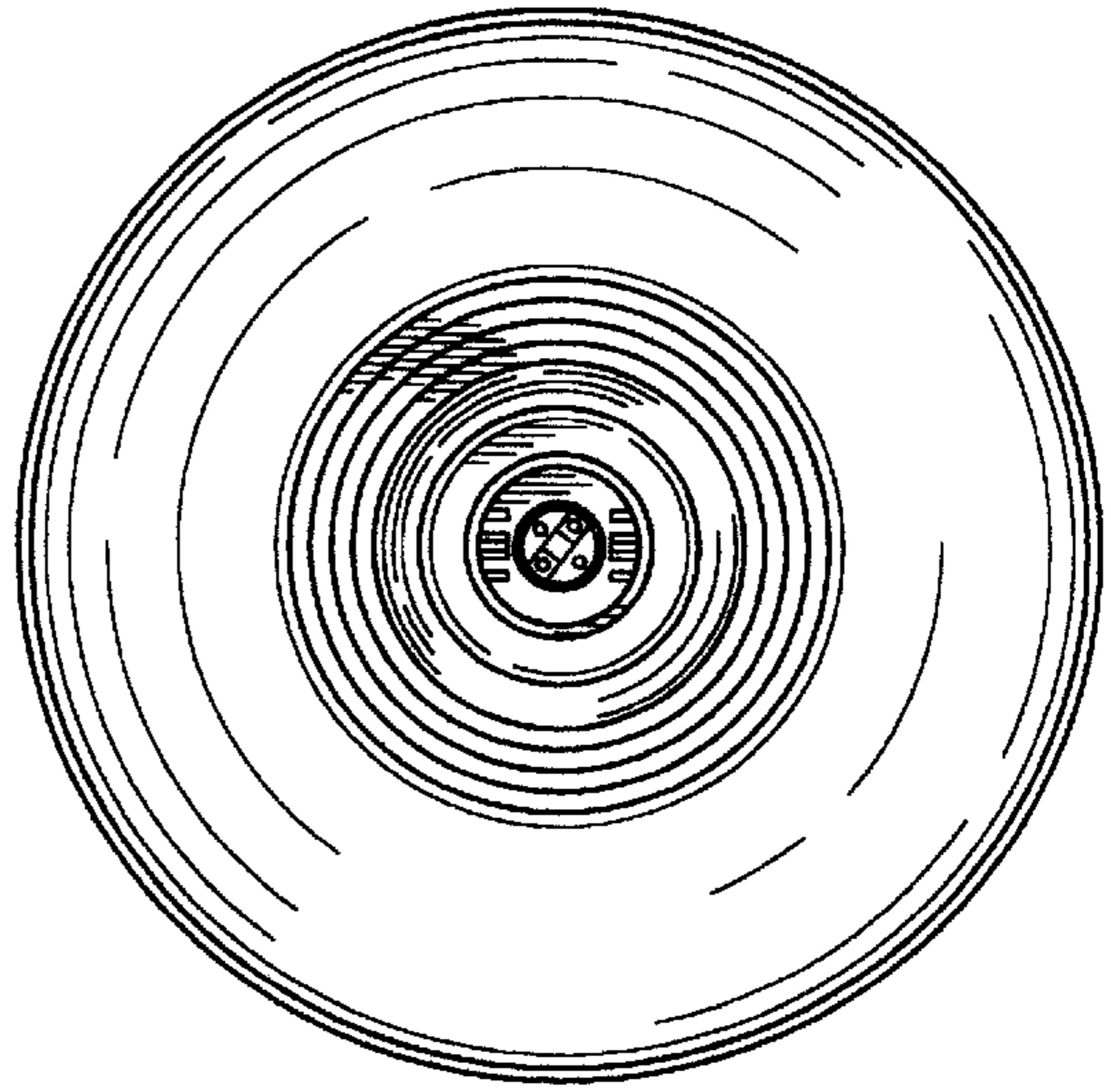


FIG. 6

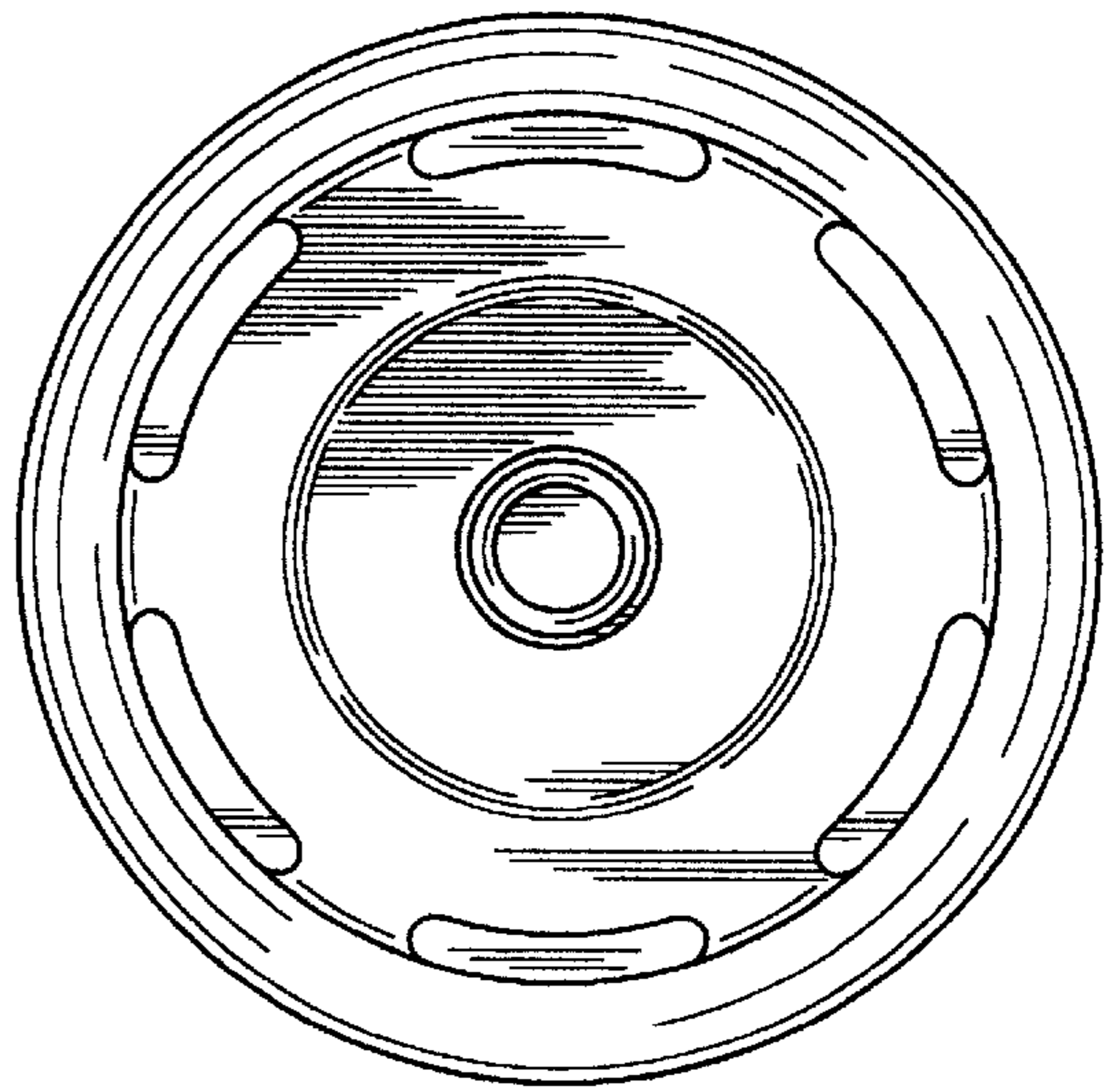


FIG. 7