



US00D428512S

# United States Patent [19]

Minissi et al.

[11] Patent Number: Des. 428,512

[45] Date of Patent: \*\* Jul. 18, 2000

[54] **SUSPENDED LUMINAIRE**

[75] Inventors: **Paolo E. Minissi; Mark P. Boomgarden**, both of Austin, Tex.

[73] Assignee: **Holophane Corporation**, Newark, Ohio

[\*\*] Term: **14 Years**

[21] Appl. No.: **29/099,701**

[22] Filed: **Jan. 27, 1999**

[51] **LOC (7) Cl.** ..... **26-05**

[52] **U.S. Cl.** ..... **D26/88**

[58] **Field of Search** ..... D26/72, 85-91, D26/118; 362/404-408, 147, 341, 346, 347, 349, 350, 353, 348

[56] **References Cited**

**U.S. PATENT DOCUMENTS**

D. 368,974	4/1996	Belisle	.....	D26/88
D. 405,210	2/1999	Egleston	.....	D26/88
4,300,190	11/1981	Mershon	.....	362/404

Primary Examiner—Susan J. Lucas

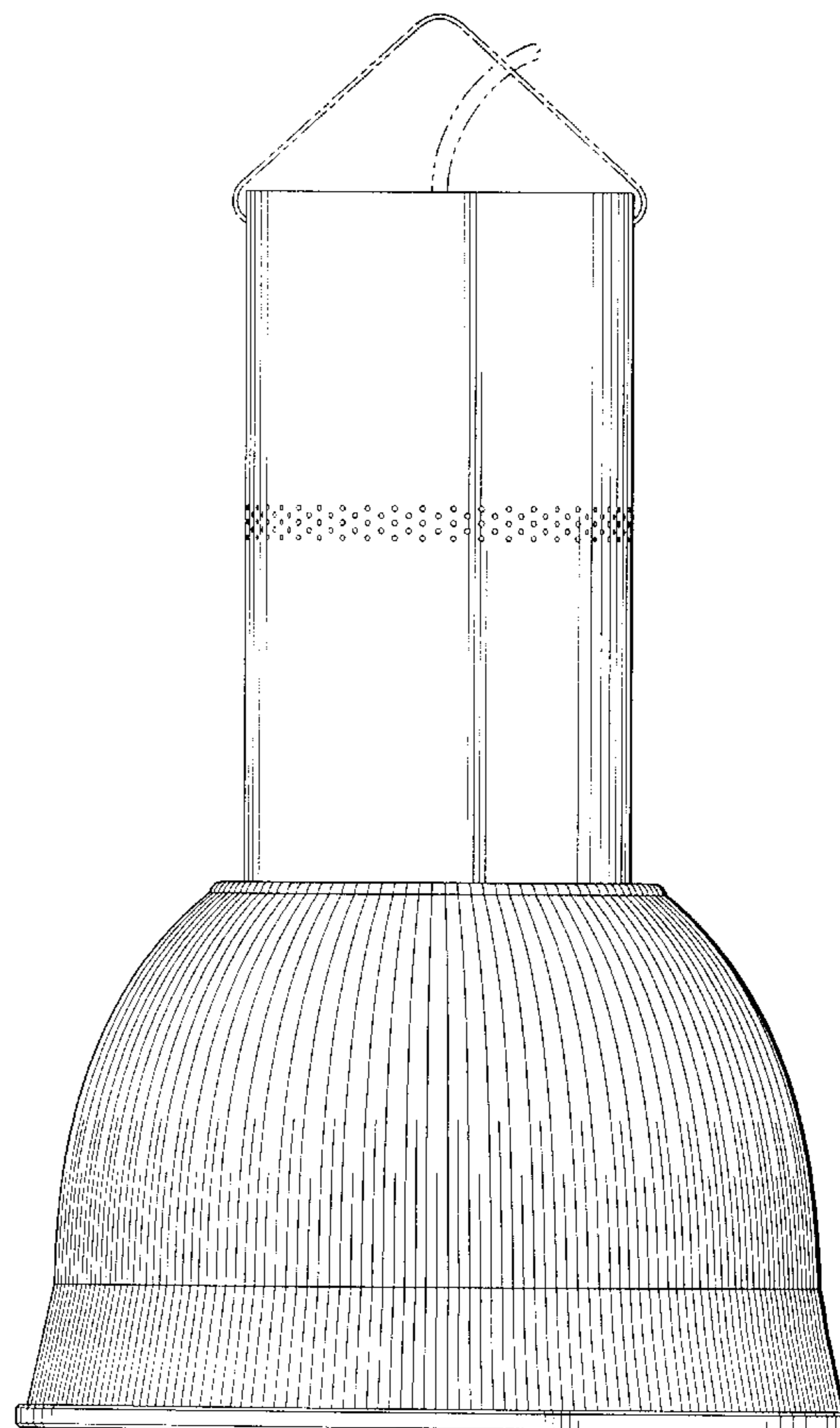
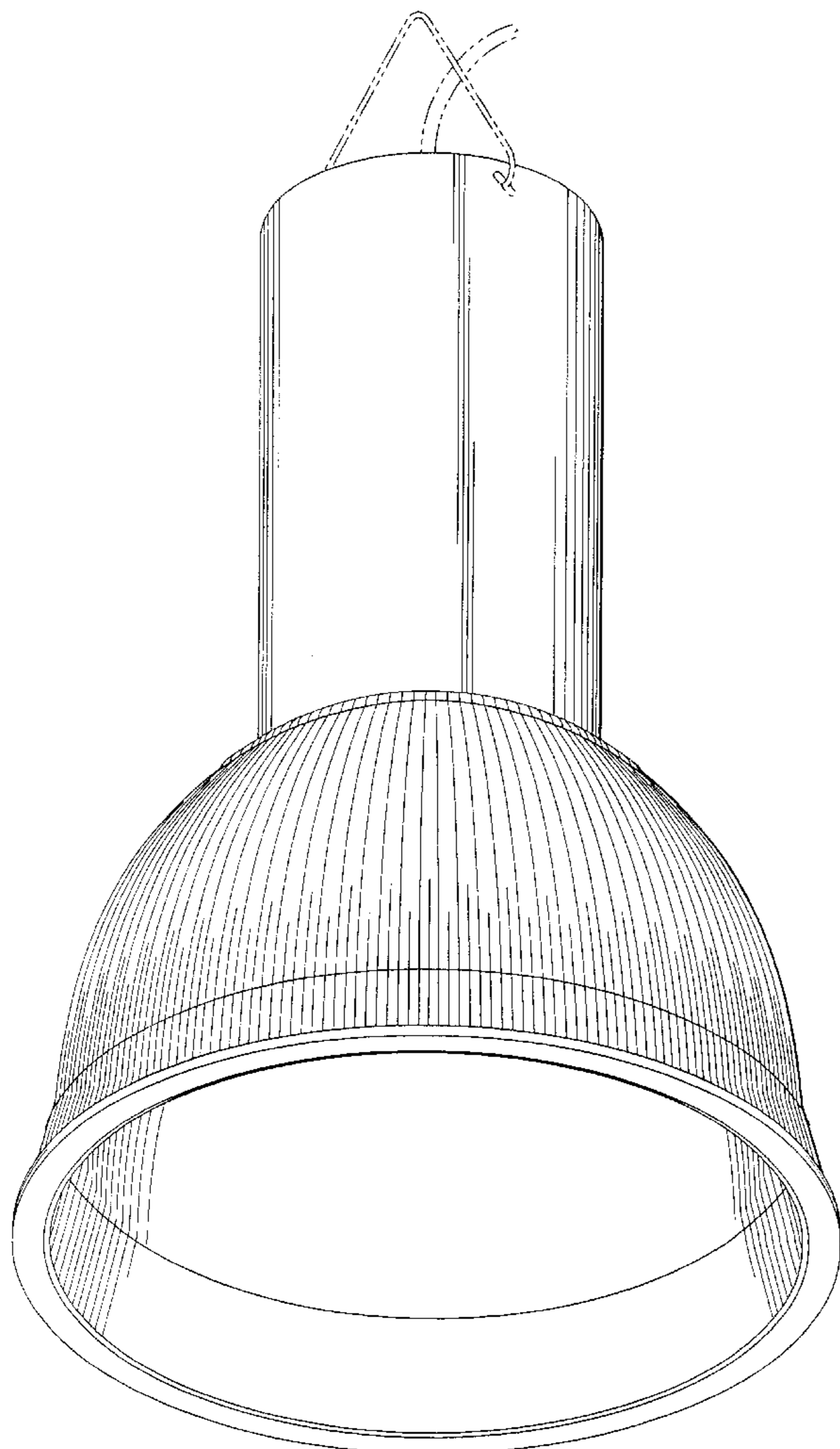
[57] **CLAIM**

The ornamental design for a suspended luminaire, as shown and described.

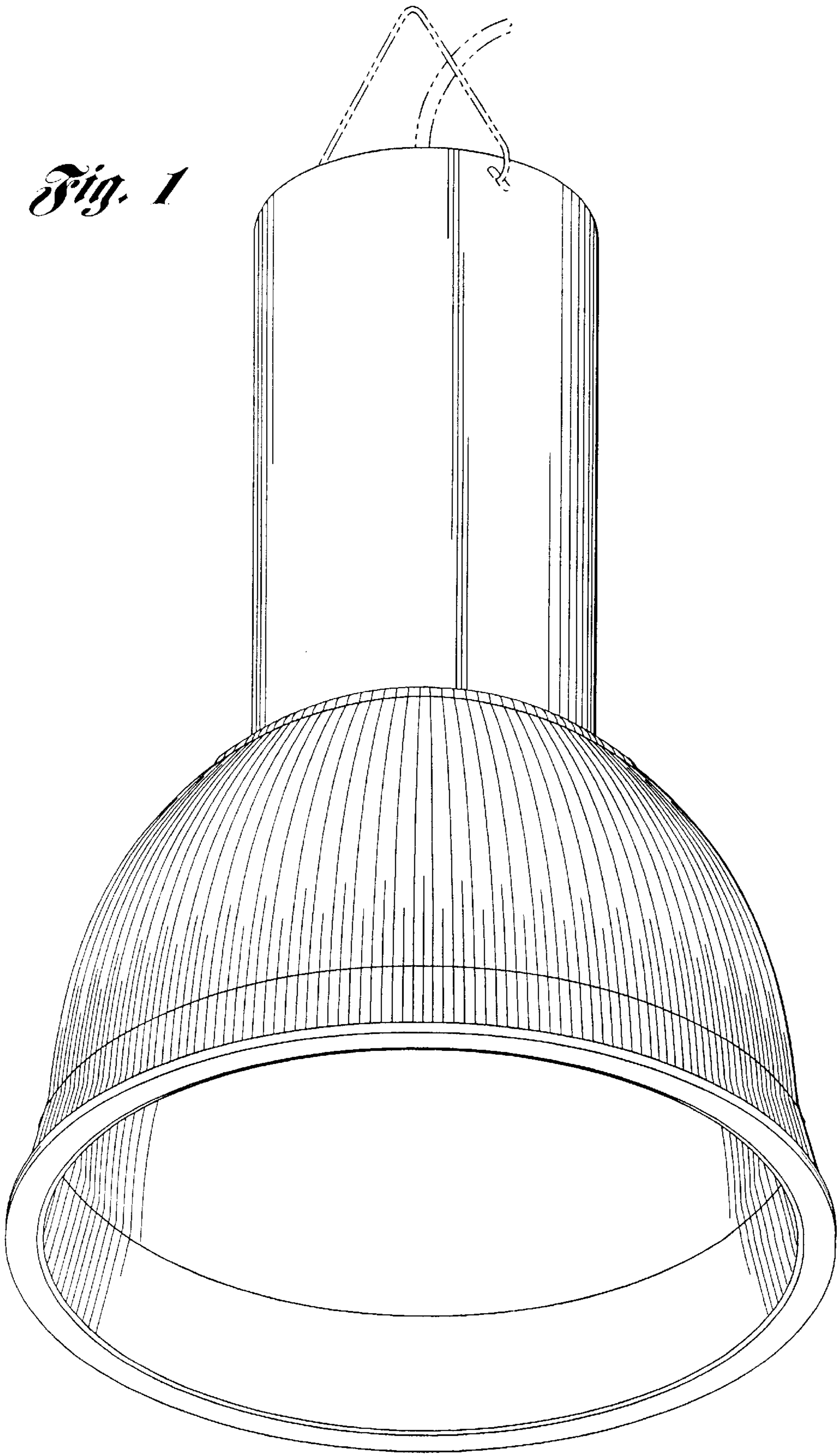
**DESCRIPTION**

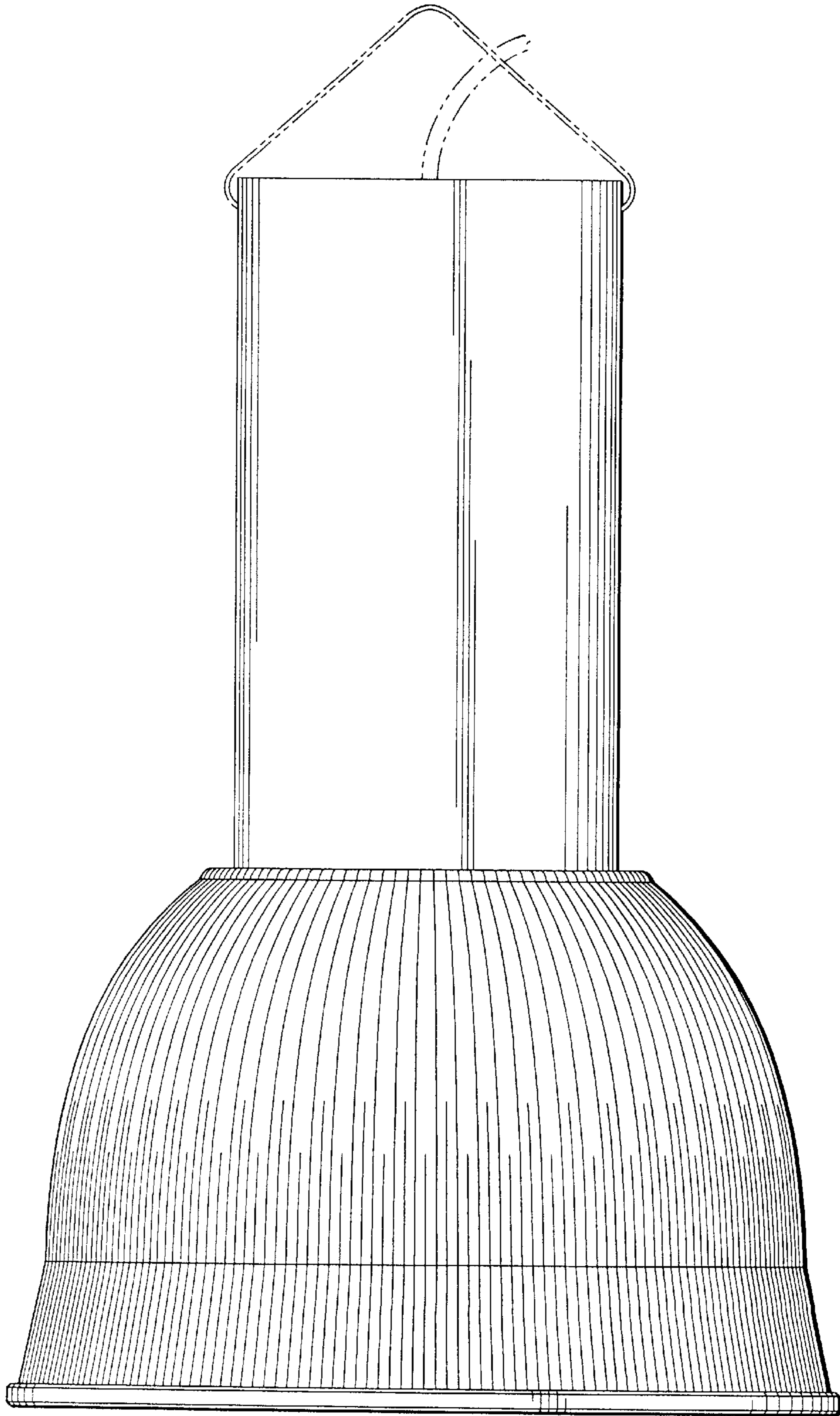
FIG. 1 is a perspective view of a first embodiment of the new design;  
 FIG. 2 is a side elevational view of the first embodiment;  
 FIG. 3 is a top plan view of the first embodiment, the top plan view of the second and third embodiments being identical thereto;  
 FIG. 4 is a bottom plan view of the first embodiment, the bottom plan view of the second and third embodiments being identical thereto;  
 FIG. 5 is a perspective view of a second embodiment of the new design;  
 FIG. 6 is a side elevational view of the second embodiment;  
 FIG. 7 is a perspective view of a third embodiment of the new design; and,  
 FIG. 8 is a side elevational view of the third embodiment.  
 The broken lines are shown for illustrative purposes only and form no part of the claimed design.

**1 Claim, 7 Drawing Sheets**

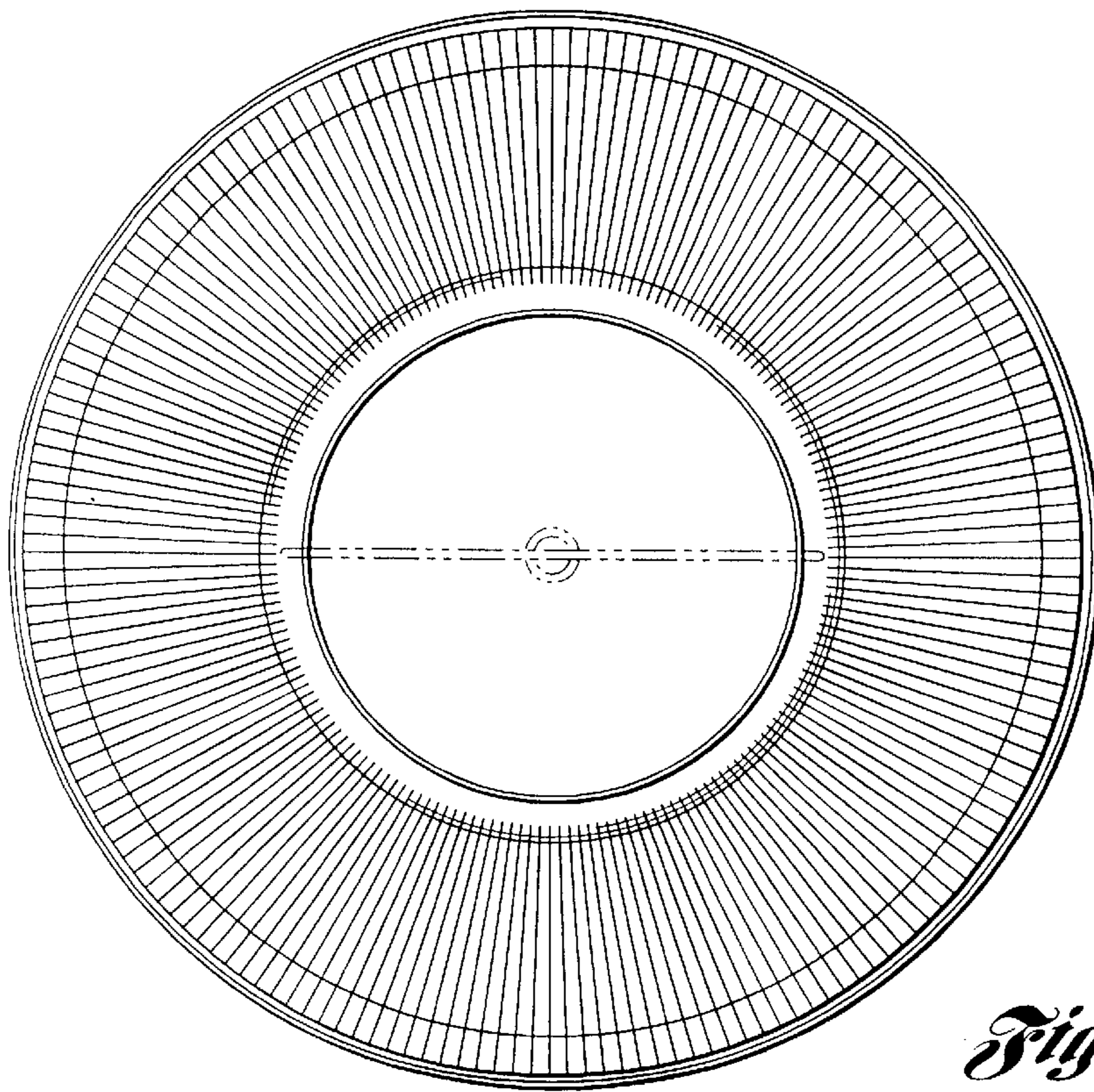


*Fig. 1*

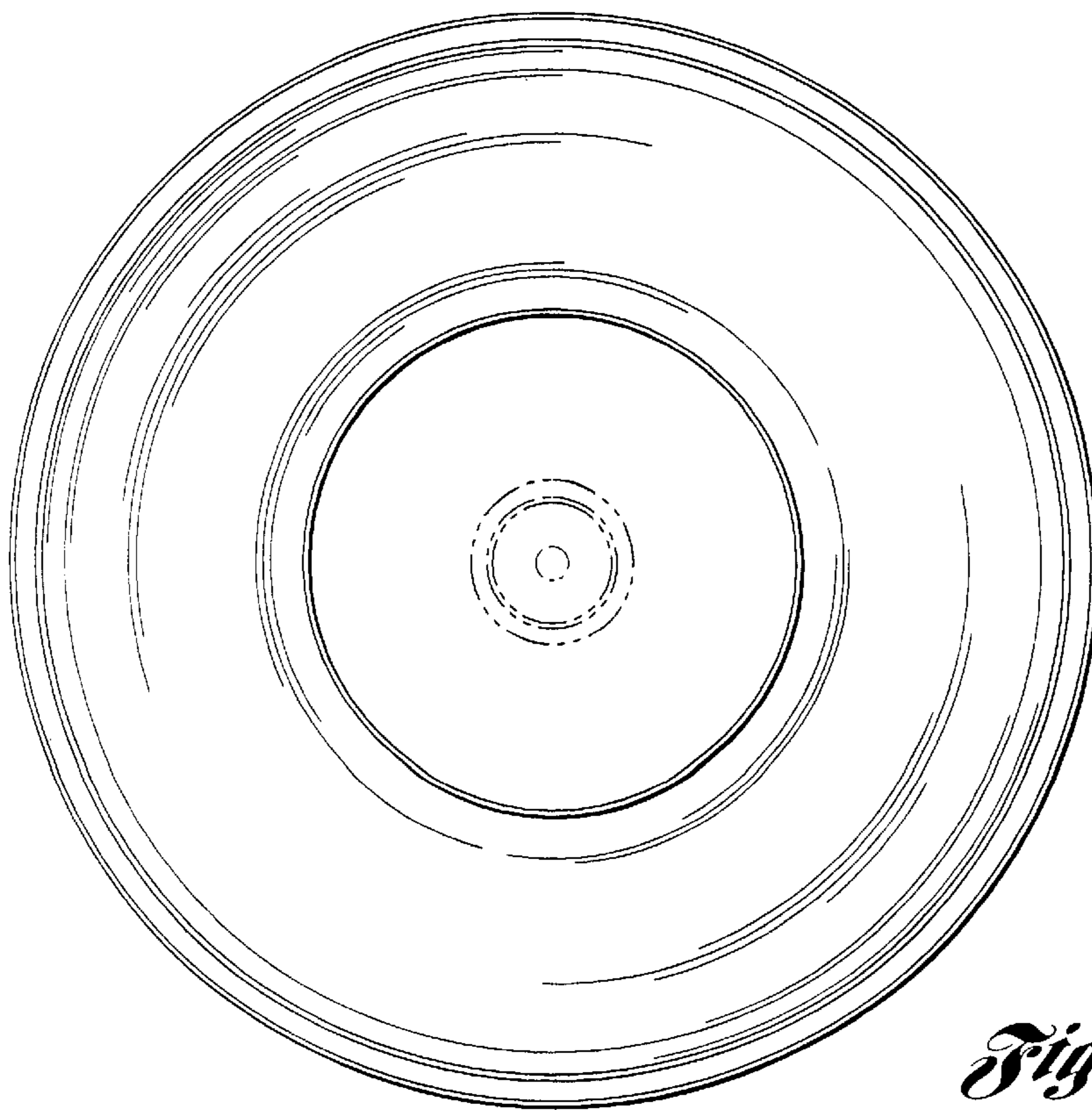




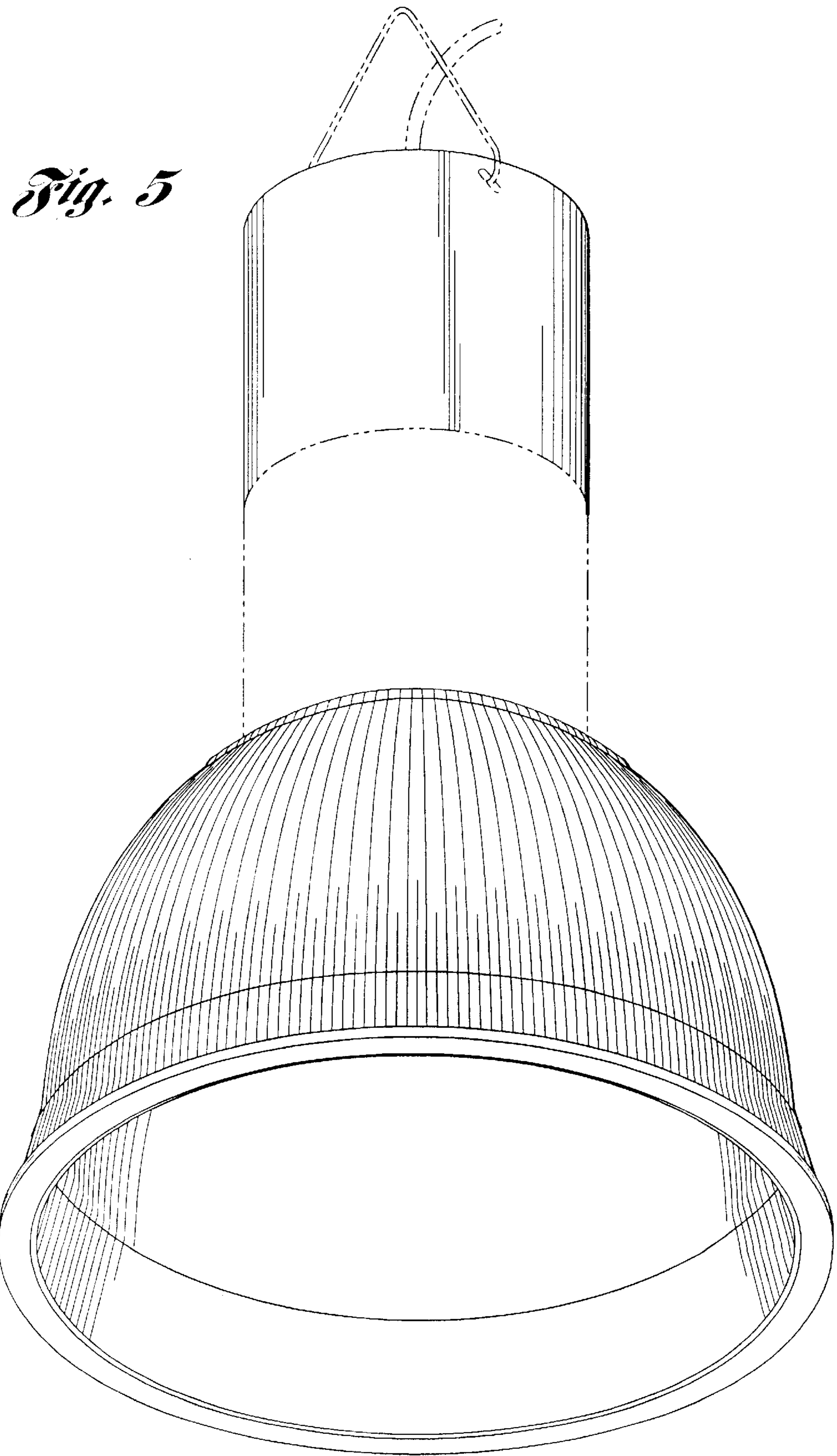
*Fig. 2*

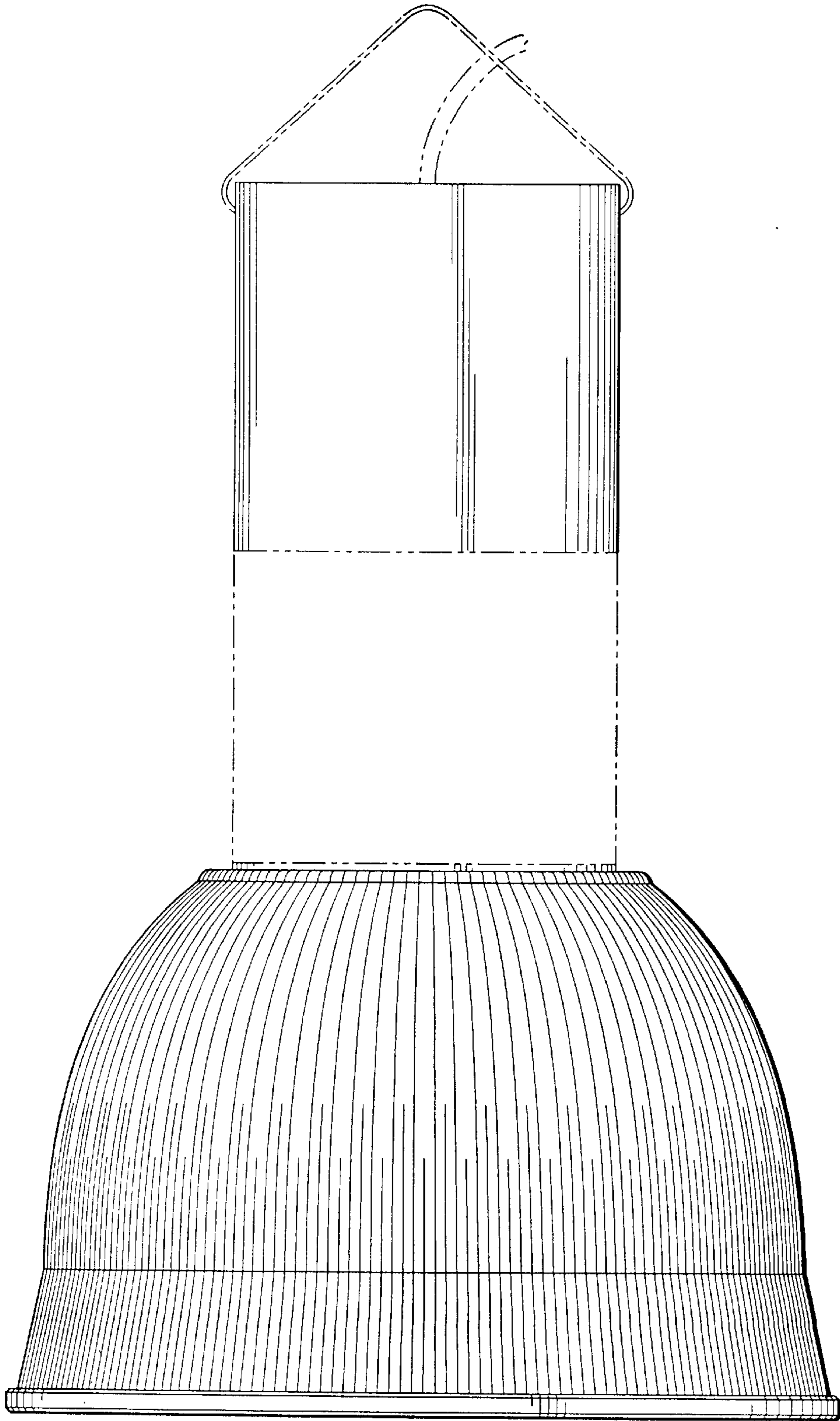


*Fig. 3*

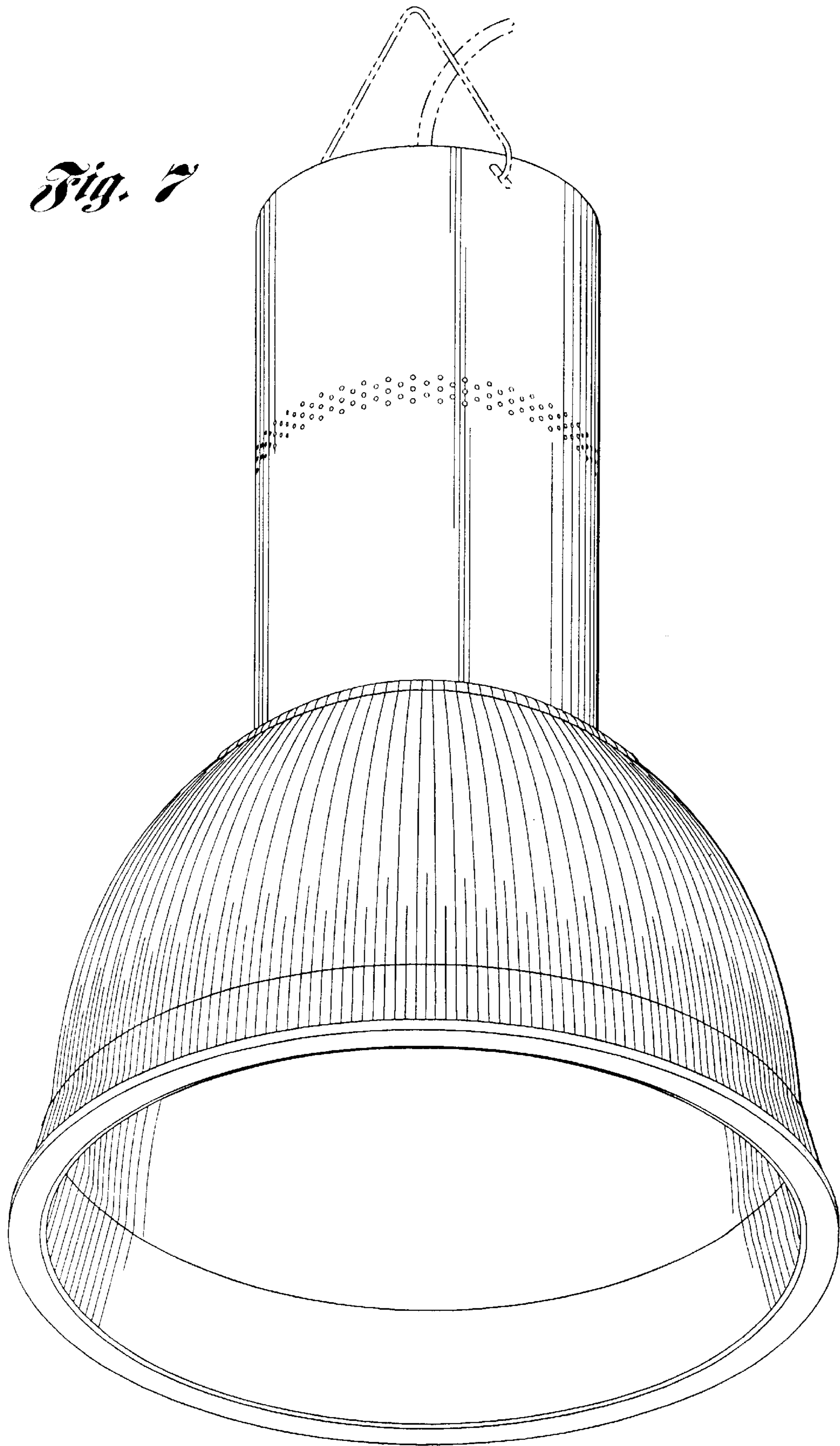


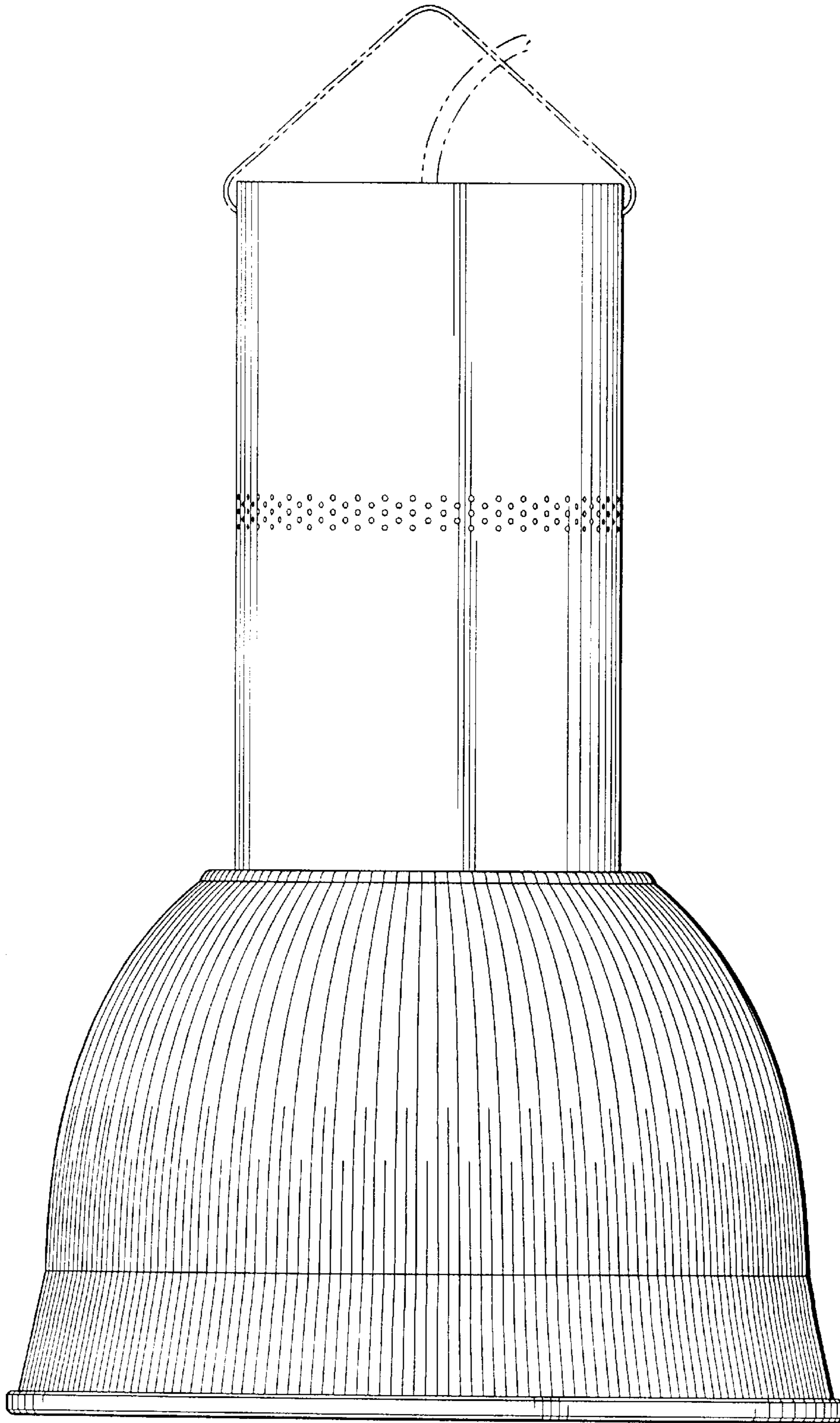
*Fig. 4*





*Fig. 6*





*Fig. 8*