



US00D428502S

United States Patent [19]

Ho

[11] **Patent Number: Des. 428,502**

[45] **Date of Patent: ** Jul. 18, 2000**

[54] **FLUORESCENT TUBE**

D. 357,546 4/1995 Hermes D26/3
D. 417,296 11/1999 Kato et al. D26/3

[75] **Inventor: Wing Yuk Ho, N.T., The Hong Kong Special Administrative Region of the People's Republic of China**

Primary Examiner—Marcus A. Jackson
Attorney, Agent, or Firm—Rabin & Champagne, P.C.

[73] **Assignee: Mei Ah Lighting Industrial Limited, Fotan, The Hong Kong Special Administrative Region of the People's Republic of China**

[57] **CLAIM**

The ornamental design for a fluorescent tube, as shown and described.

[**] **Term: 14 Years**

DESCRIPTION

[21] **Appl. No.: 29/112,559**

FIG. 1 is a front view of a fluorescent tube showing my new design;

[22] **Filed: Oct. 20, 1999**

FIG. 2 is a rear view thereof;

[51] **LOC (7) Cl. 26-06**

FIG. 3 is a top view thereof;

[52] **U.S. Cl. D26/3**

FIG. 4 is a left side view thereof;

[58] **Field of Search** D26/1, 2, 3, 4,
D26/26; 313/313, 315, 318, 493; 315/53,
56, 57, 58

FIG. 5 is a right side view thereof; and,

FIG. 6 is a bottom view thereof.

[56] **References Cited**

U.S. PATENT DOCUMENTS

D. 302,861 8/1989 Jayama D26/3

1 Claim, 2 Drawing Sheets

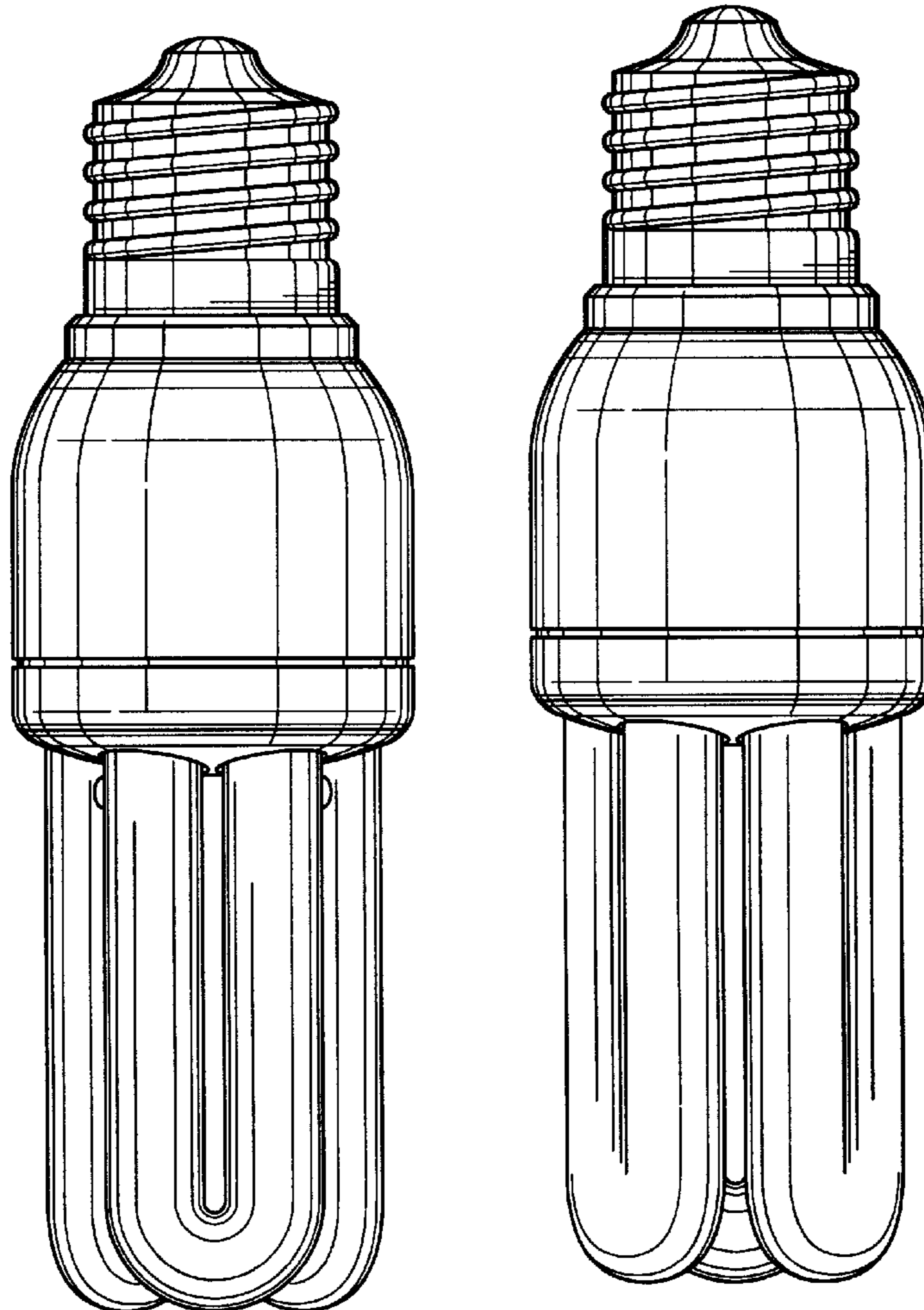


FIG. 3

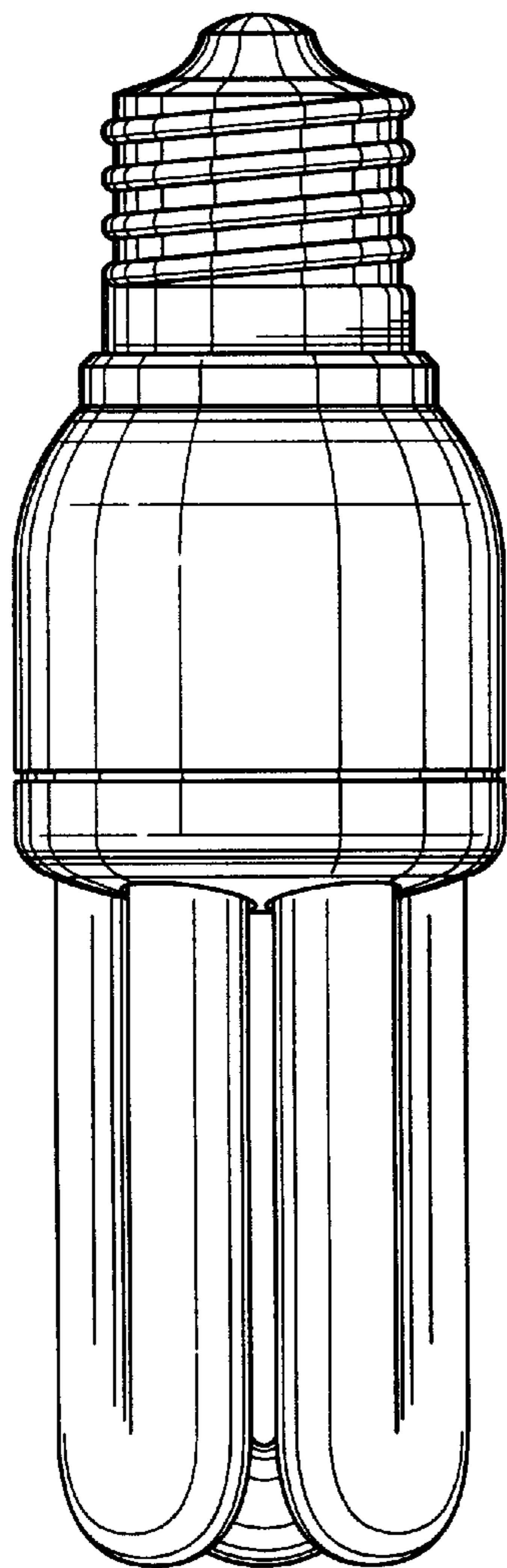
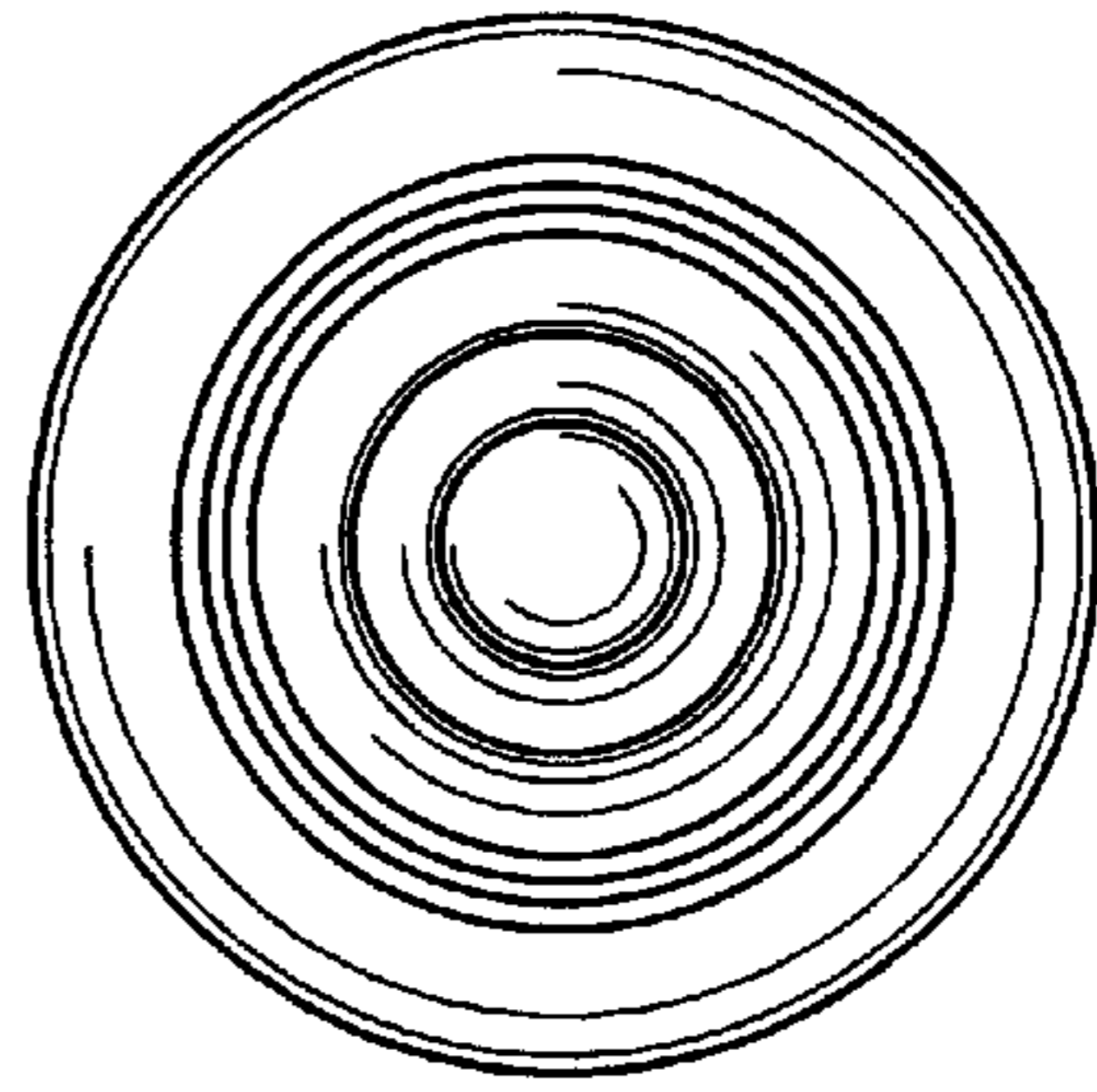


FIG. 2

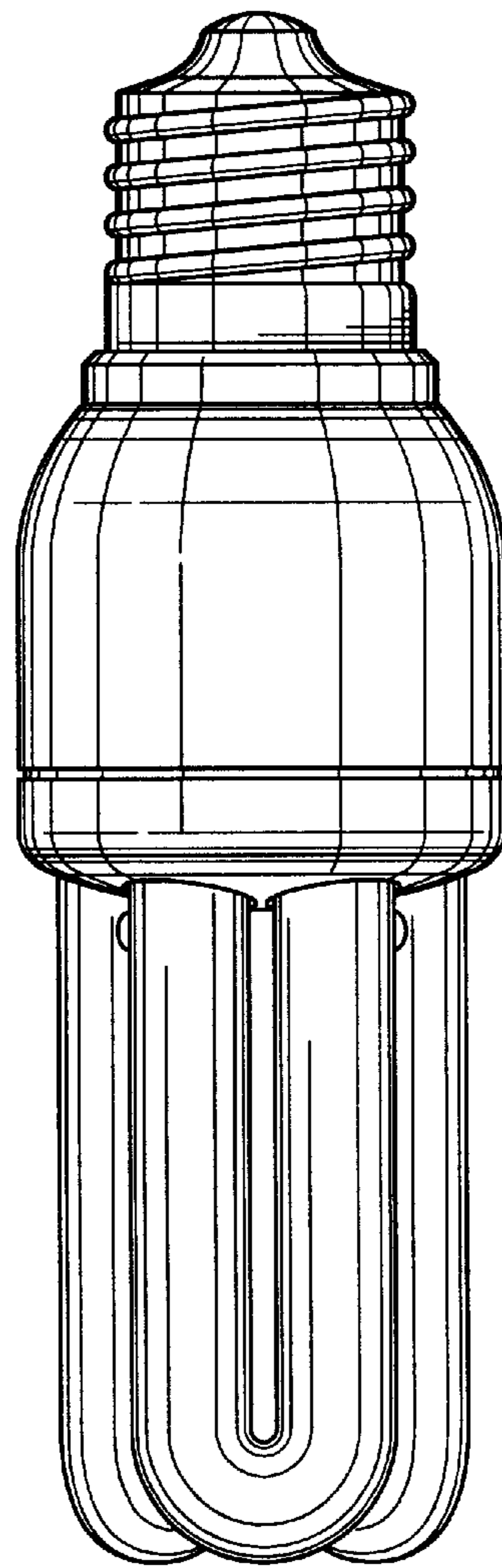


FIG. 1

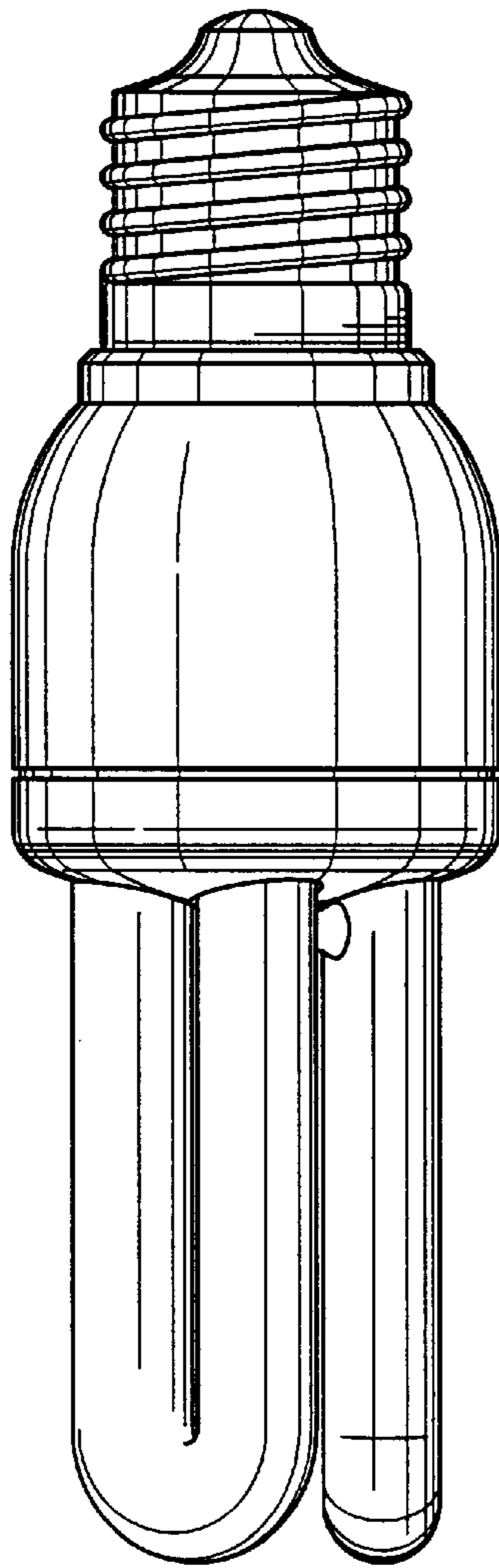


FIG. 4

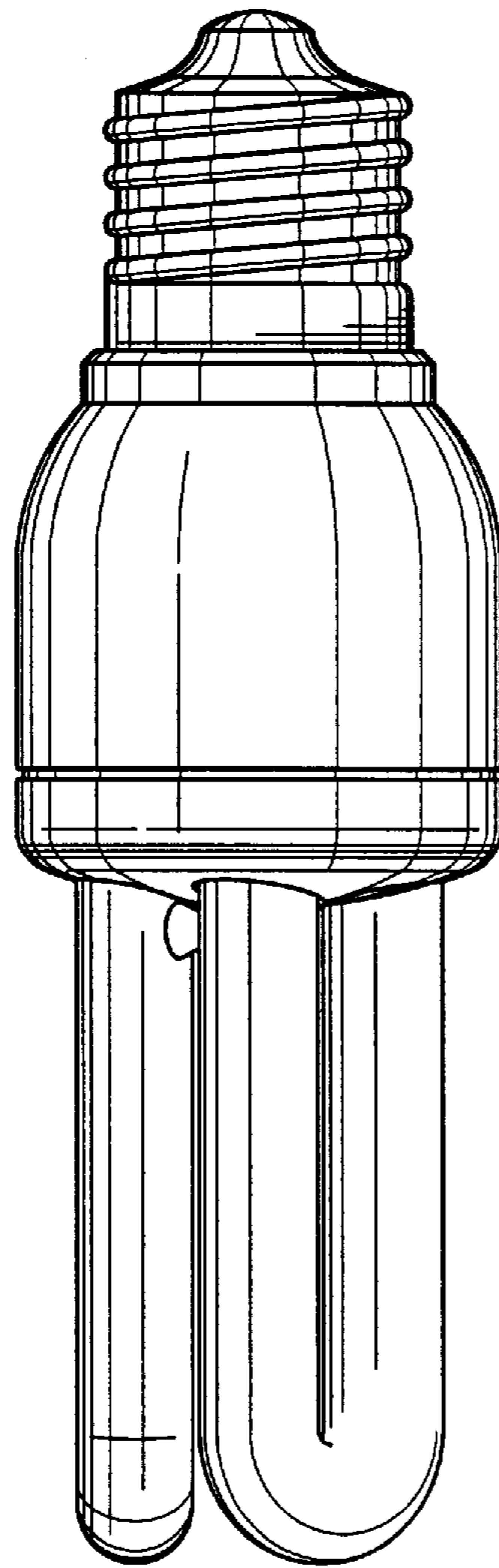


FIG. 5

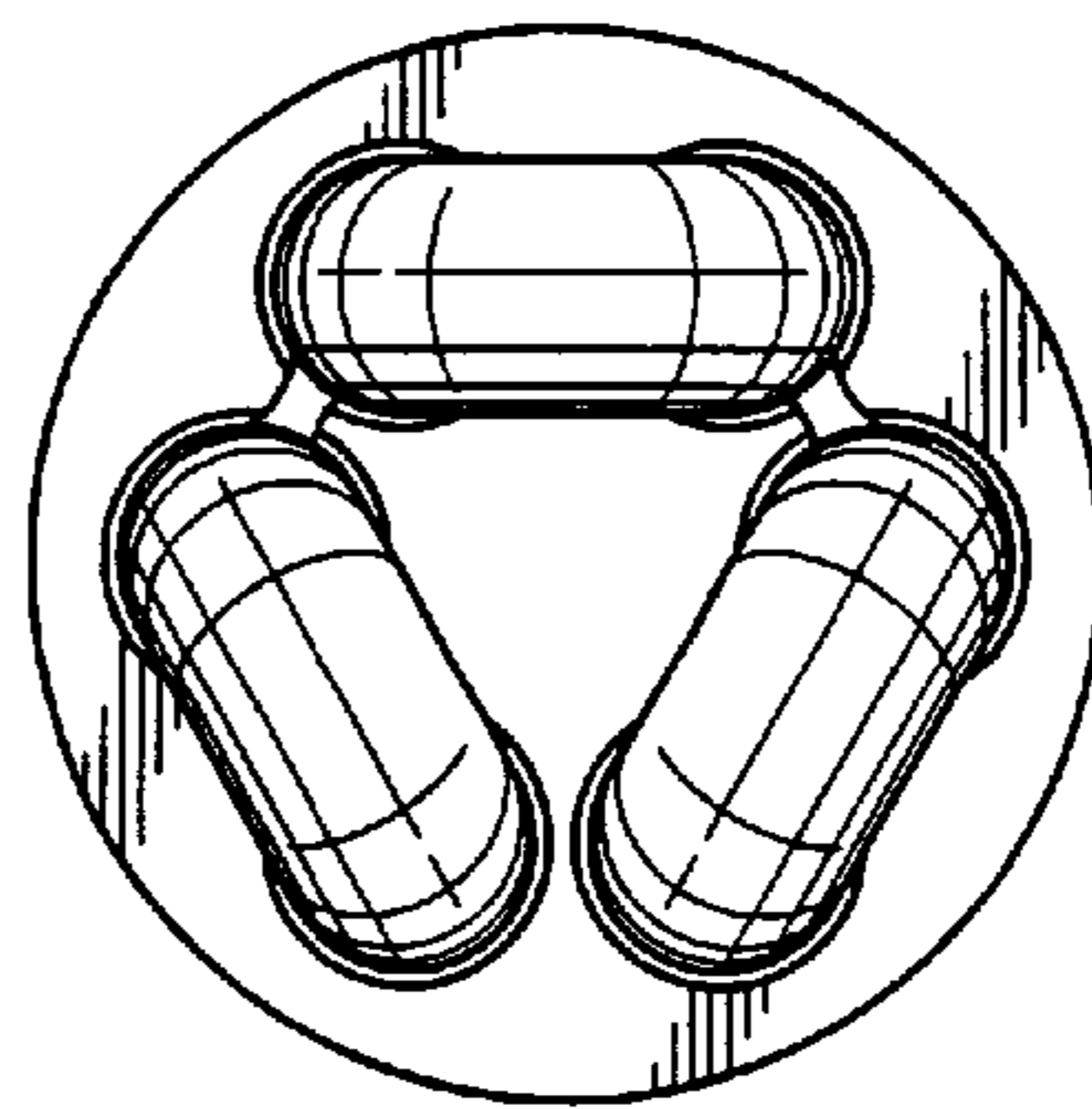


FIG. 6