



US00D428501S

# United States Patent [19]

[11] **Patent Number: Des. 428,501**

**Haslem et al.**

[45] **Date of Patent: \*\* Jul. 18, 2000**

[54] **CHAIR**

[75] Inventors: **Dale Haslem**, Canyon Lake; **G. Douglas Hartzheim**, Fontana; **Steve Wilbur**, Chino; **Marty Lancial**, San Bernardino, all of Calif.

[73] Assignee: **Aztec Concrete Accessories, Inc.**, Fontana, Calif.

[\*\*] Term: **14 Years**

[21] Appl. No.: **29/094,442**

[22] Filed: **Oct. 2, 1998**

[51] **LOC (7) Cl.** ..... **25-99**

[52] **U.S. Cl.** ..... **D25/199; D25/62**

[58] **Field of Search** ..... D25/62, 68, 199; 52/686, 687, 685, 677

## [56] **References Cited**

### U.S. PATENT DOCUMENTS

D. 240,708	7/1976	Elukowicz	.....	D25/199
D. 334,133	3/1993	Hartzheim	.	
D. 370,270	5/1996	Dal Mas et al.	.....	D25/62
3,255,565	6/1966	Menzel	.	
3,693,310	9/1972	Middleton	.	
4,000,591	1/1977	Courtois	.	
4,060,954	12/1977	Liuzza	.....	52/677

(List continued on next page.)

### FOREIGN PATENT DOCUMENTS

227969	5/1960	Australia	.
1 186 162	4/1985	Canada	.
575043	1/1946	Sweden	.
1 428 675	5/1972	United Kingdom	.
1 276 874	6/1972	United Kingdom	.

### OTHER PUBLICATIONS

Product brochure from International Plastics, Corp. of Nicholasville, Kentucky for X High Chair, X Bar Chair and Joist Chair (1991).

Product brochure from Spillman of Columbus, Ohio for Plasclips, Meshclips and Plaschair (1994).

Product brochure from General Technologies, Inc. of Stafford, Texas for Reinforcing Bar Supports (1997 Price List).

Product brochure from Aztec Concrete Accessories, Inc. of Fontana, California for Adjustable Screed Chair (Dec. 1, 1997).

*Primary Examiner*—Doris Clark

*Attorney, Agent, or Firm*—Knobbe, Martens, Olson & Bear LLP

## [57] **CLAIM**

The ornamental design for a chair, as shown and described.

## **DESCRIPTION**

FIG. 1 is a front elevational view of a chair of the present invention, with the back view being identical;

FIG. 2 is a top plan view of the chair of FIG. 1;

FIG. 3 is a bottom plan view of the chair of FIG. 1;

FIG. 4 is a right side view of the chair of FIG. 1, with the left side view being identical;

FIG. 5 is a front elevational view of a second embodiment of a chair of the present invention, with the back view being identical;

FIG. 6 is a top plan view of the chair of FIG. 5;

FIG. 7 is a bottom plan view of the chair of FIG. 5;

FIG. 8 is a right side view of the chair of FIG. 5, with the left side view being identical;

FIG. 9 is a front elevational view of a third embodiment of a chair of the present invention, with the back view being identical;

FIG. 10 is a top plan view of the chair of FIG. 9;

FIG. 11 is a bottom plan view of the chair of FIG. 9;

FIG. 12 is a right side view of the chair of FIG. 9, with the left side being identical;

FIG. 13 is a front elevational view of a fourth embodiment of a chair of the present invention, with the back view being identical;

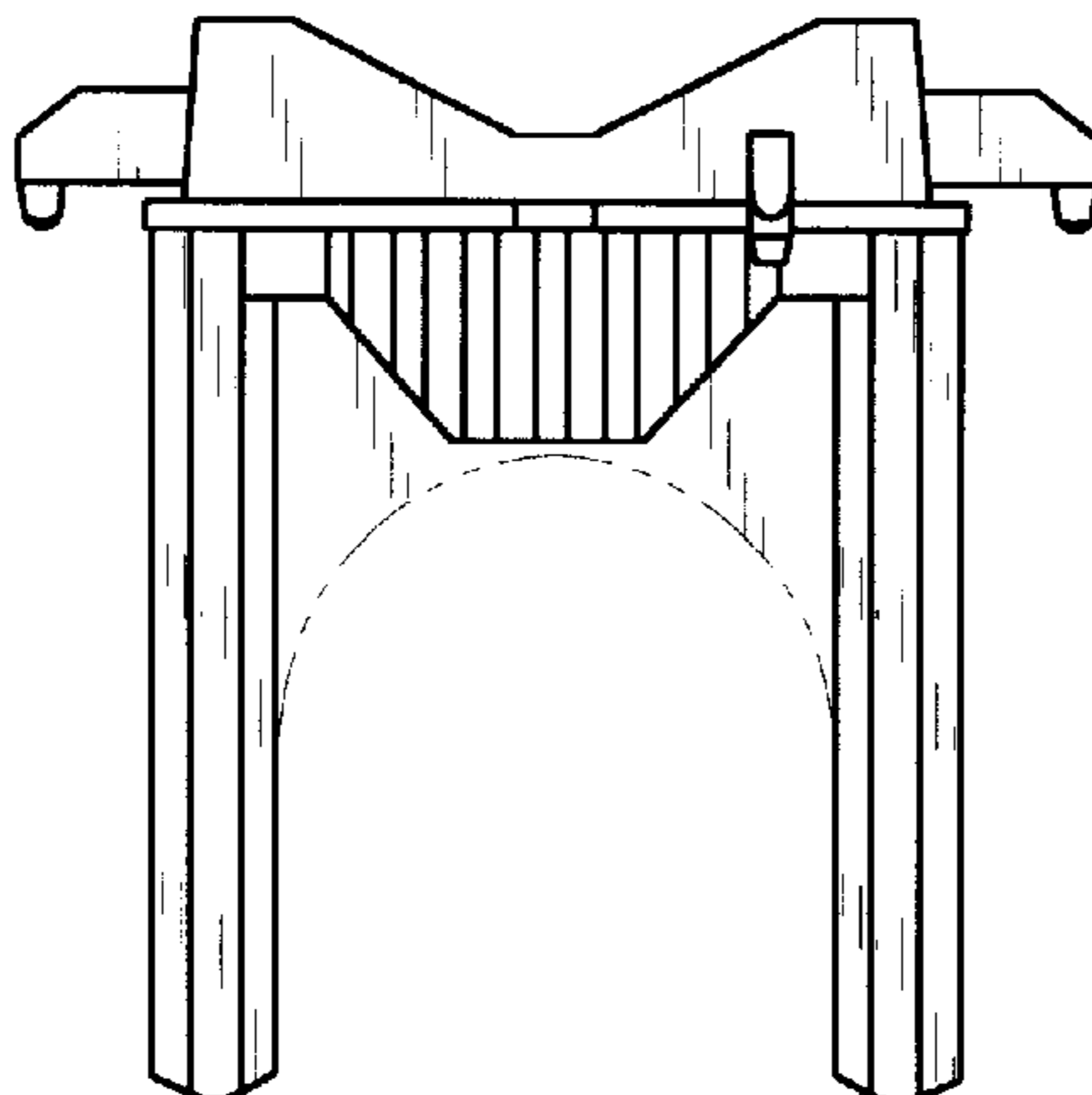
FIG. 14 is a top plan view of the chair of FIG. 13;

FIG. 15 is a bottom plan view of the chair of FIG. 13; and,

FIG. 16 is a right side view of the chair of FIG. 13.

The broken line showing in the accompanying FIGS. is for illustrative purposes only and forms no part of the claimed design.

**1 Claim, 4 Drawing Sheets**



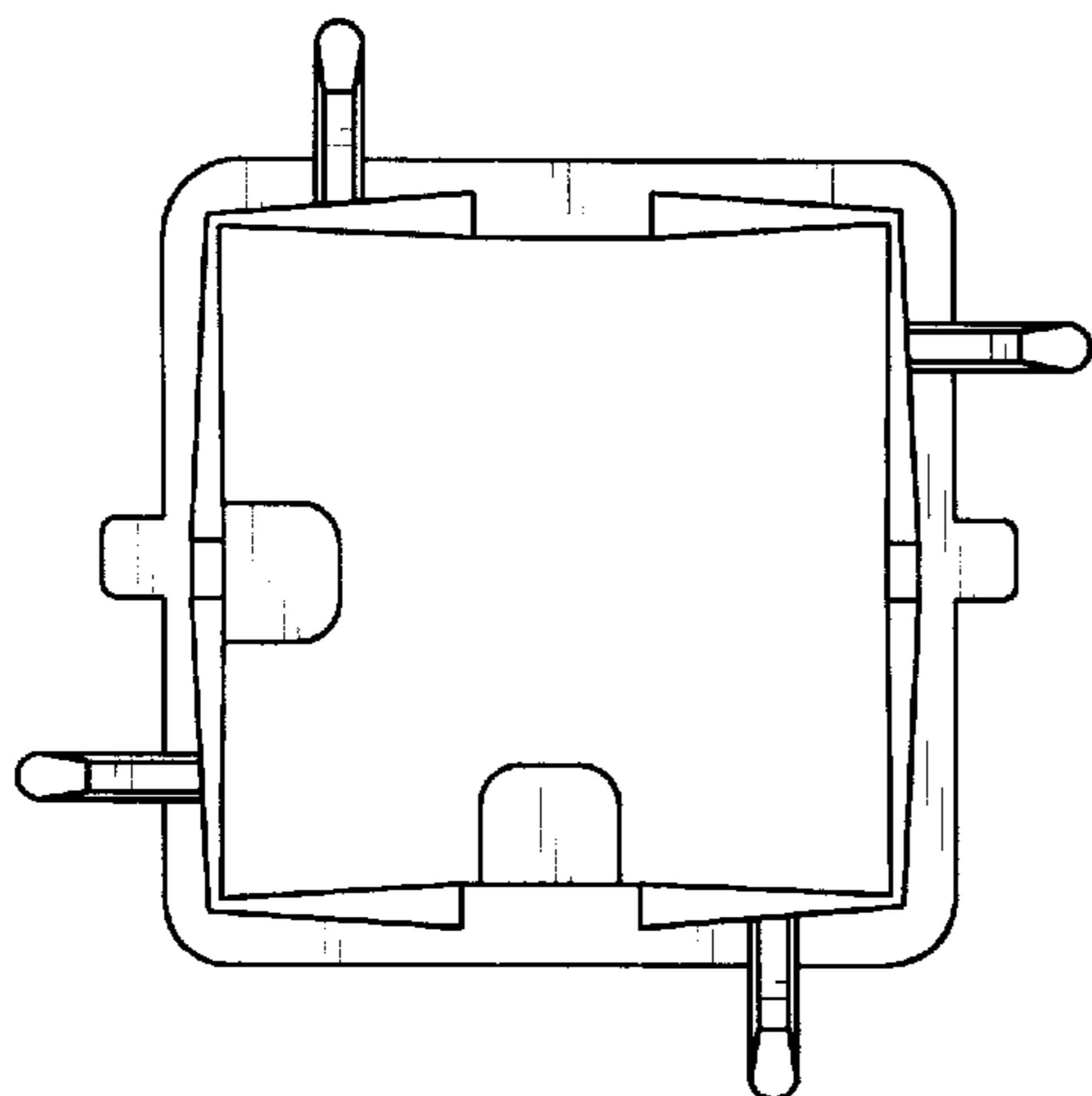
# Des. 428,501

Page 2

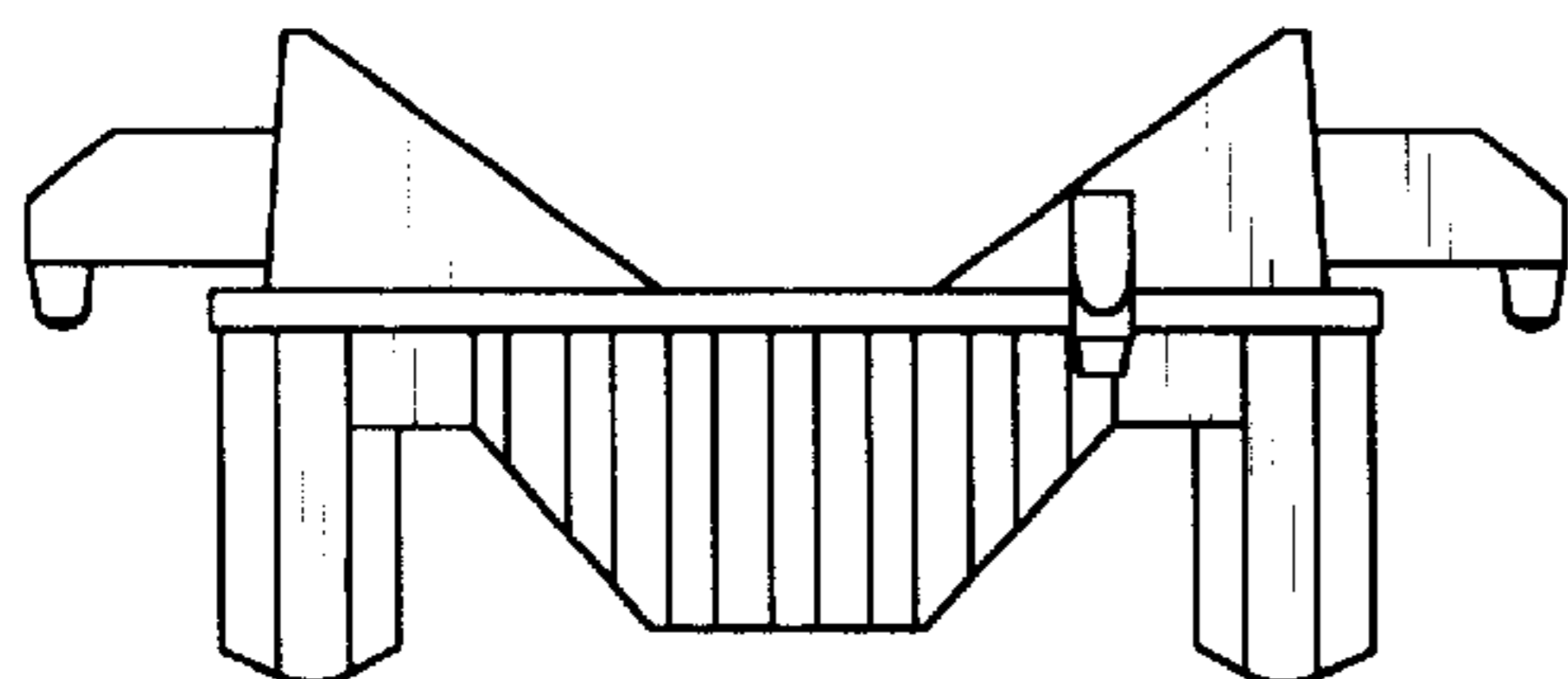
---

## U.S. PATENT DOCUMENTS

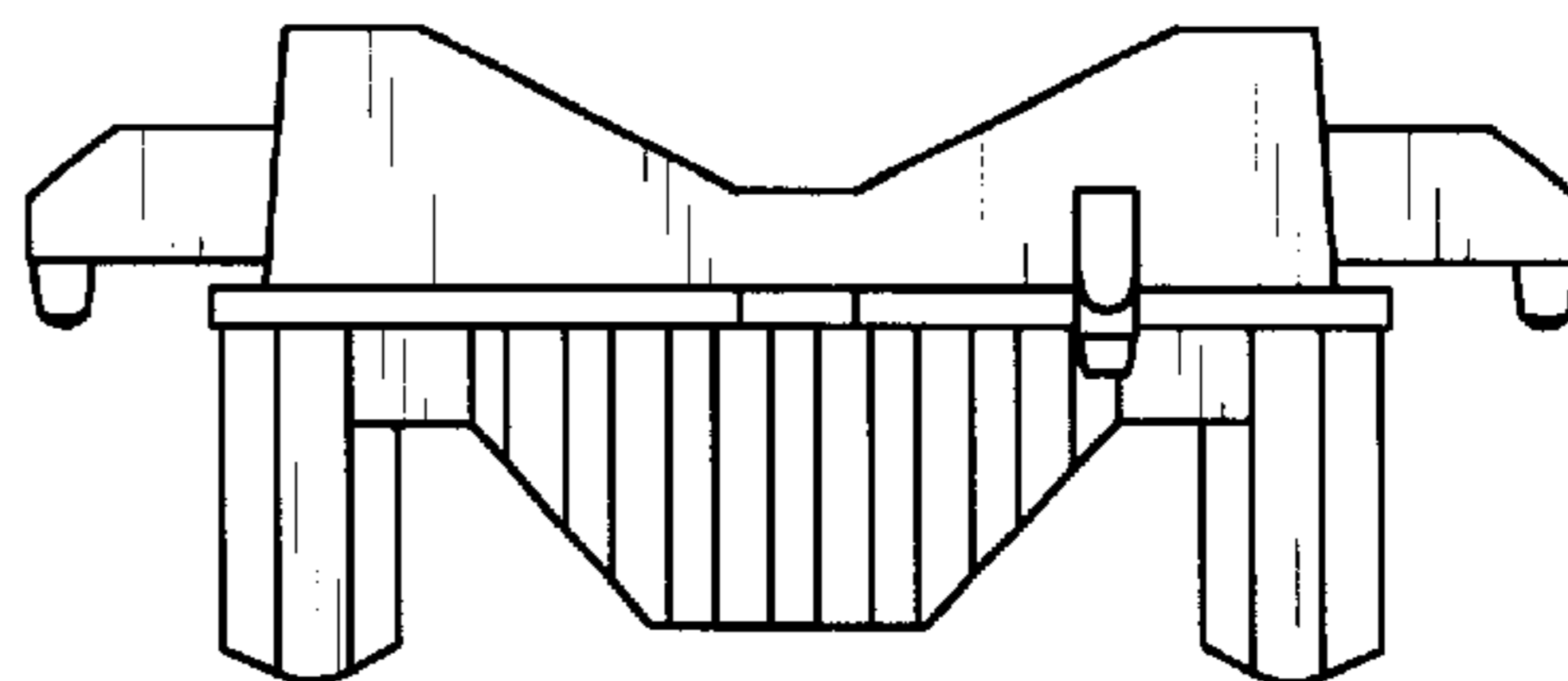
			4,756,641	7/1988	Hartzheim .
			5,107,654	4/1992	Leonardis .
4,483,119	11/1984	Hernandez .	5,201,869	4/1993	Roethel .
4,655,023	4/1987	Yung .	5,222,628	6/1993	Roethel .
4,682,461	7/1987	Sizemore .	5,555,693	9/1996	Sorkin .



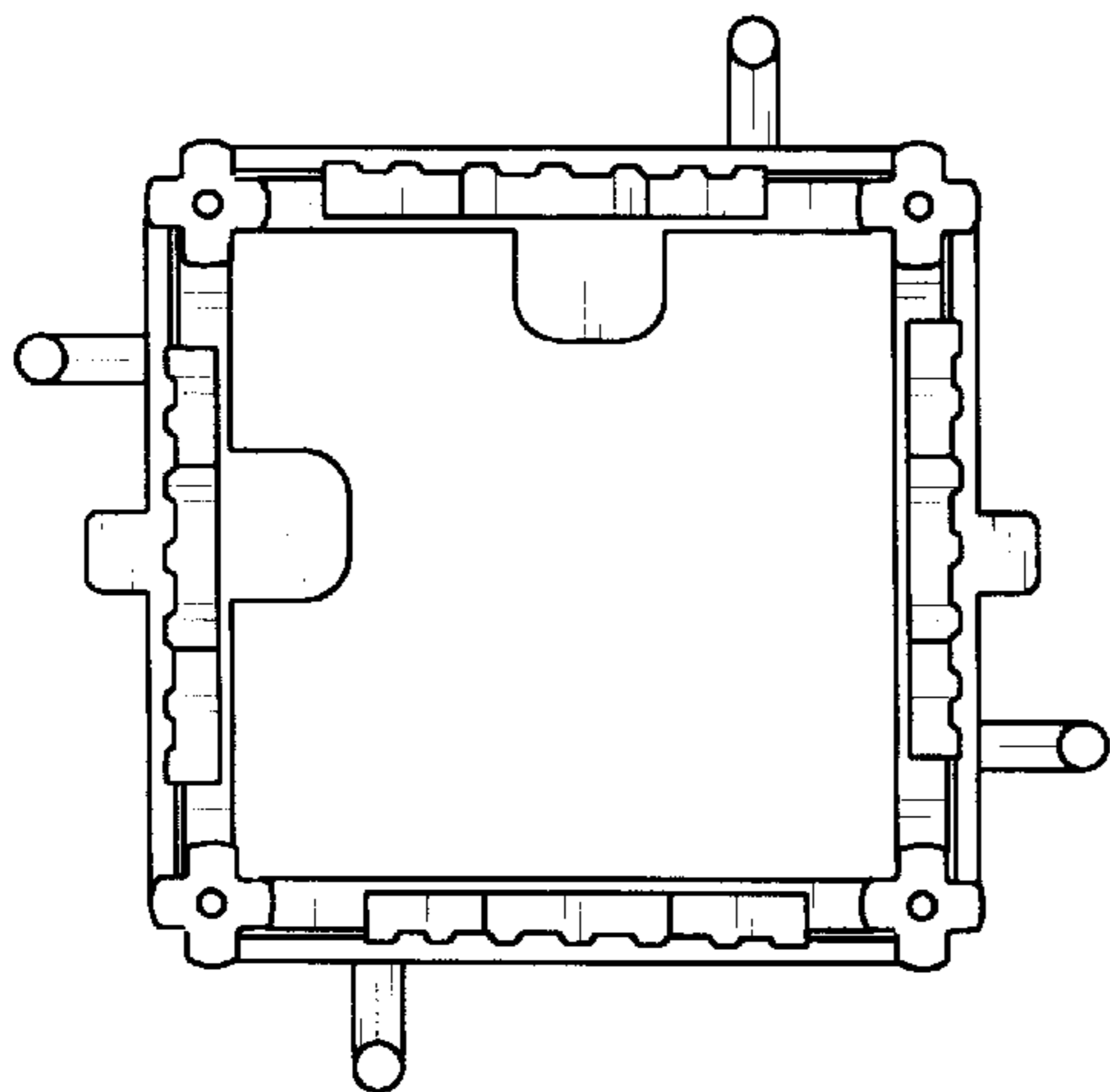
**FIG. 2**



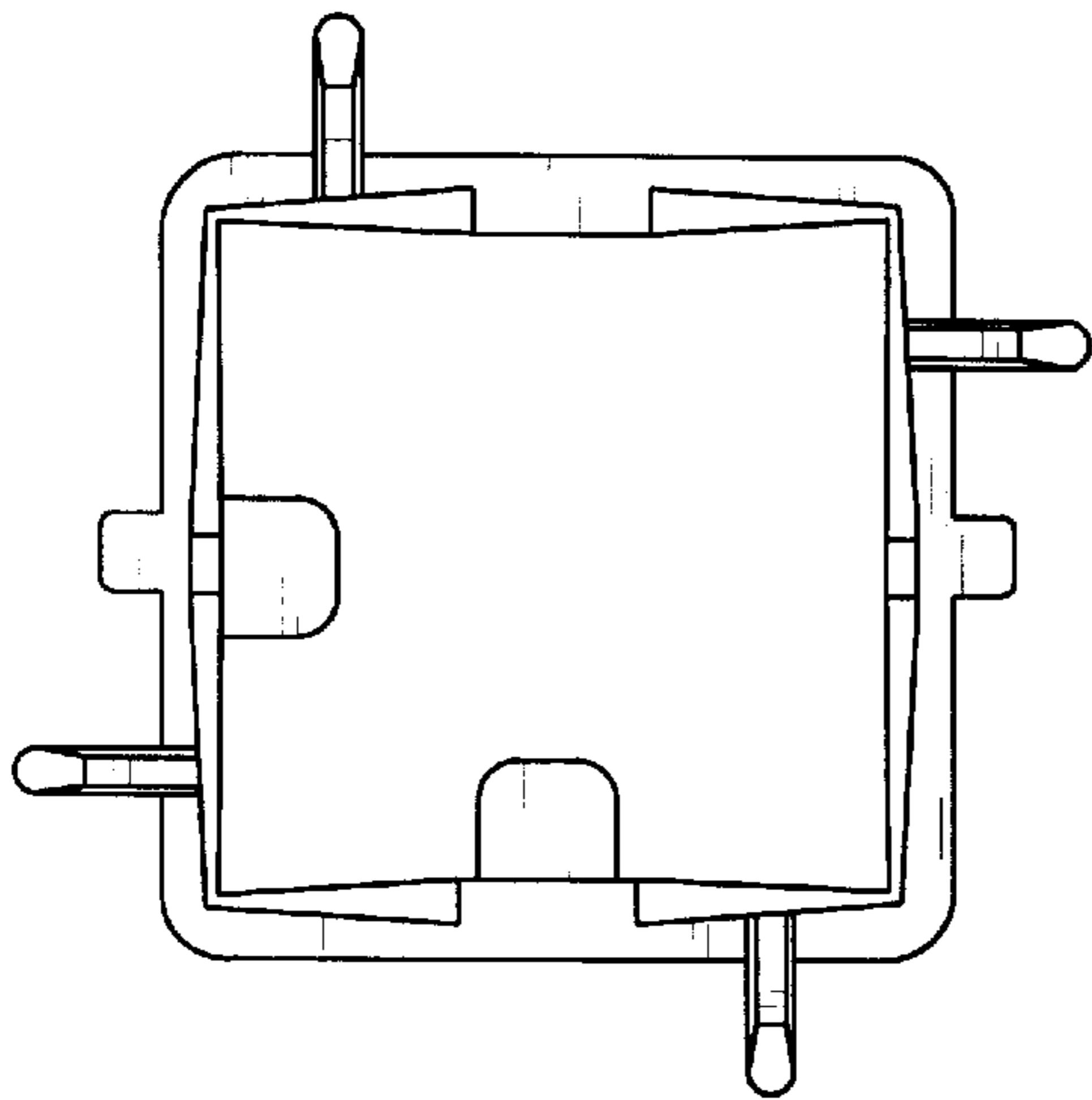
**FIG. 1**



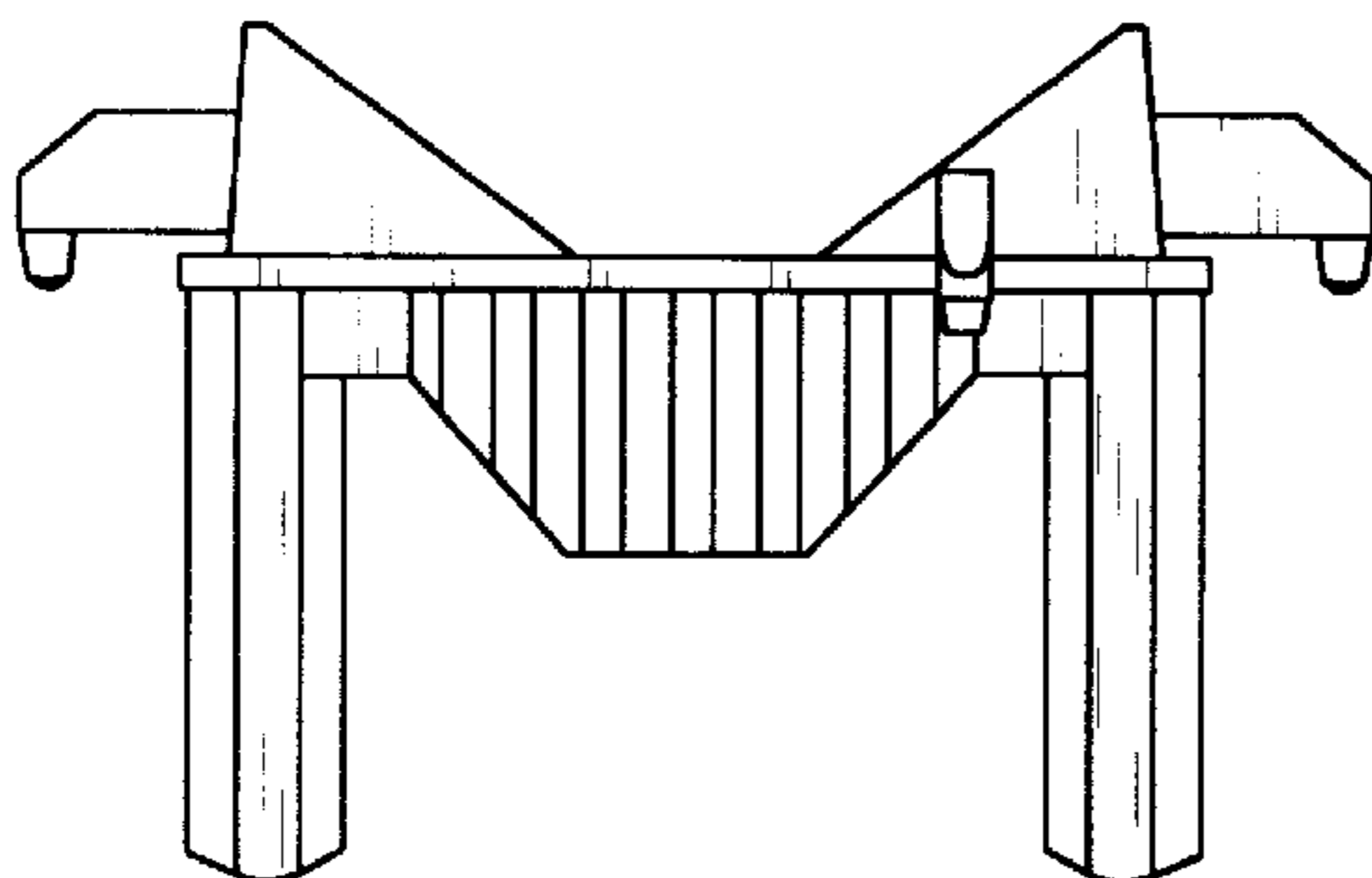
**FIG. 4**



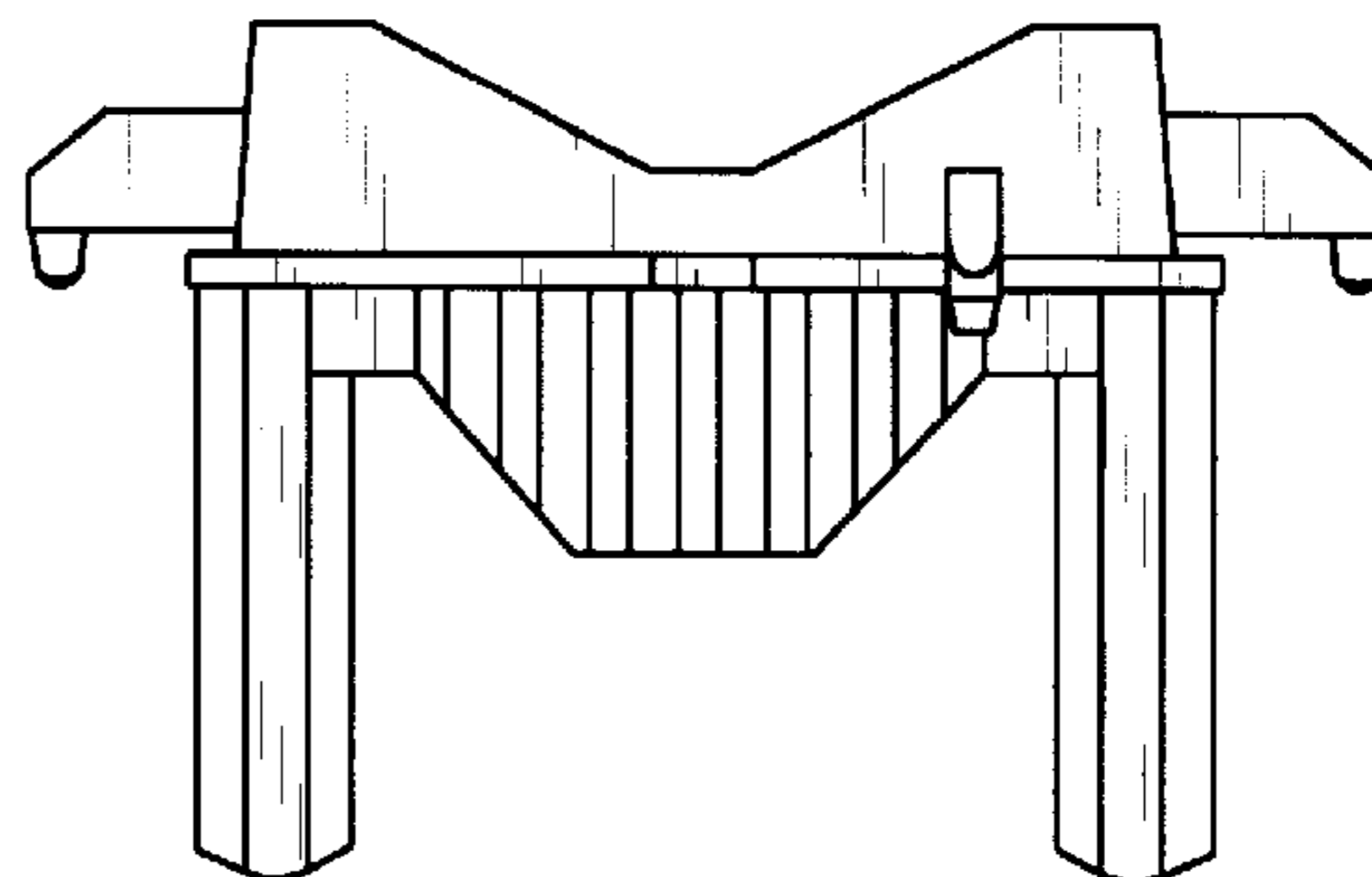
**FIG. 3**



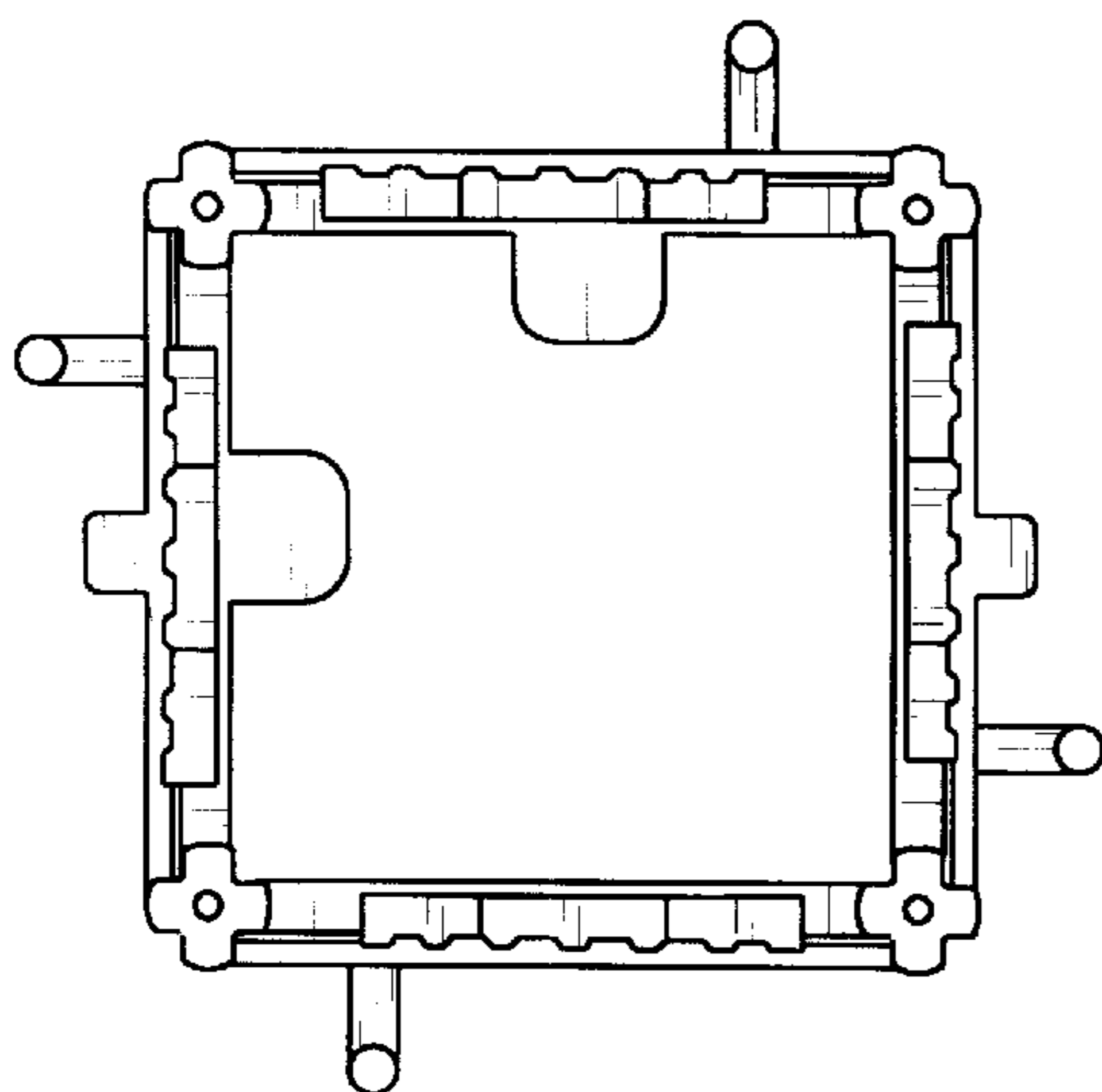
**FIG. 6**



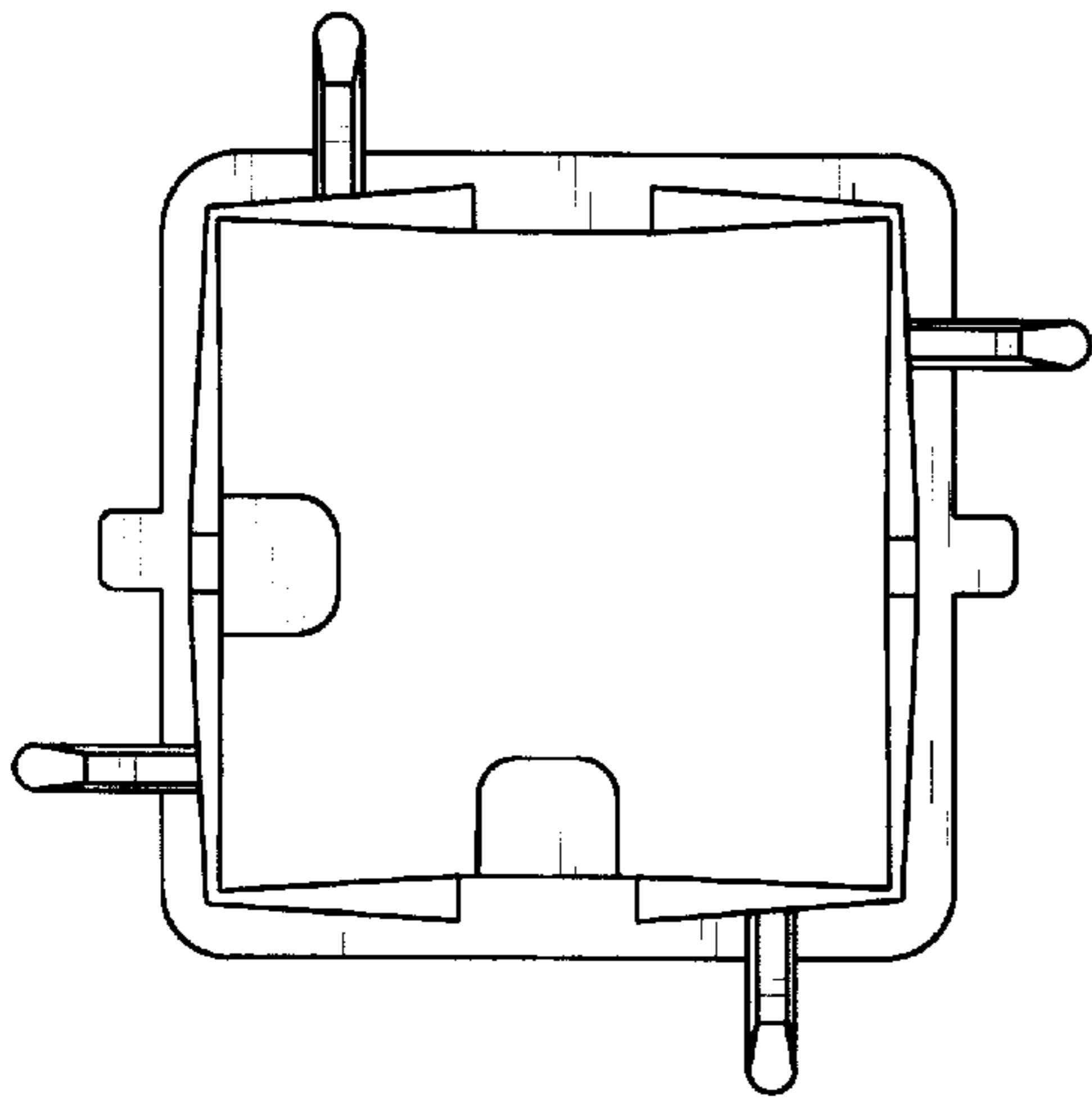
**FIG. 5**



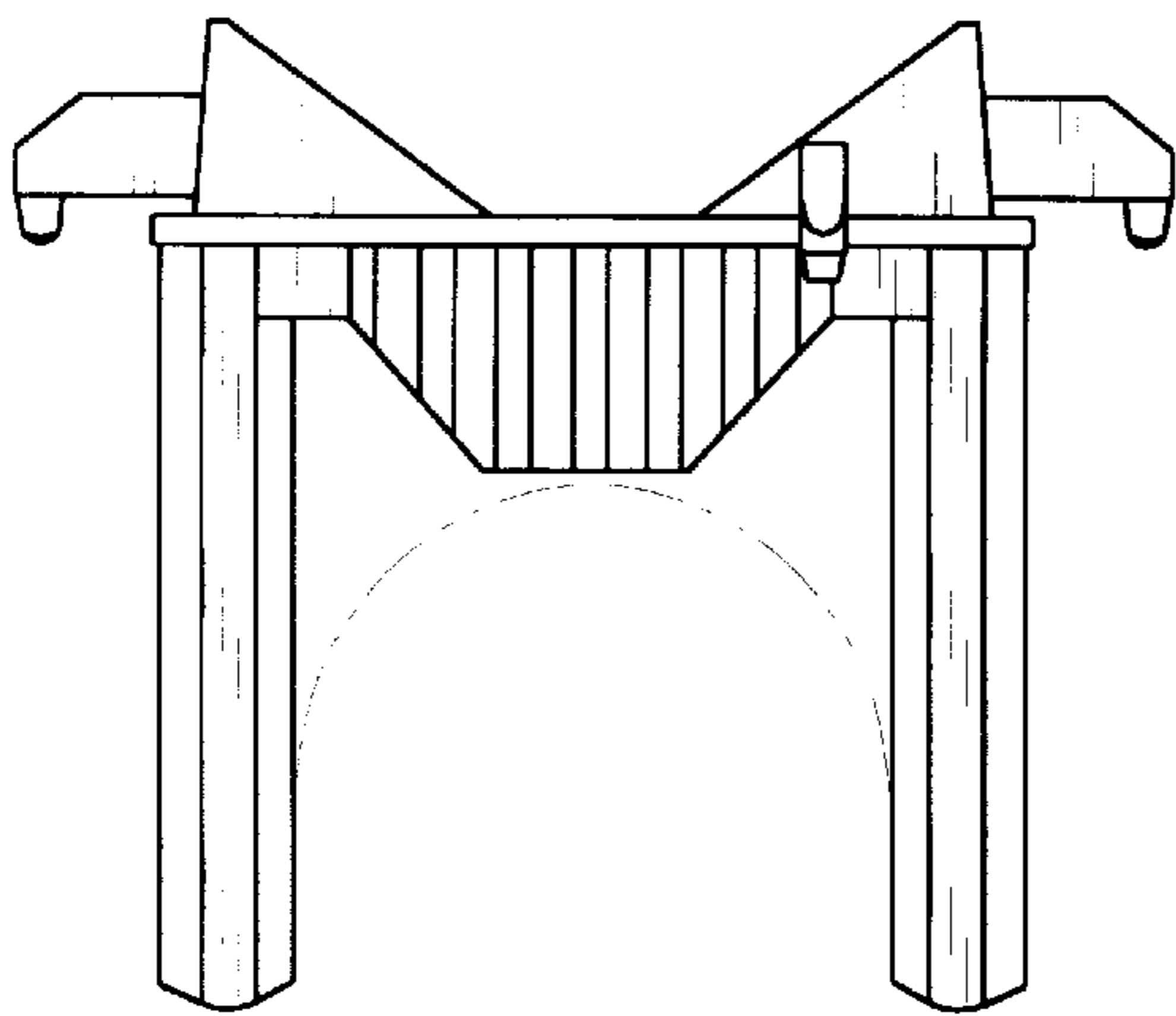
**FIG. 8**



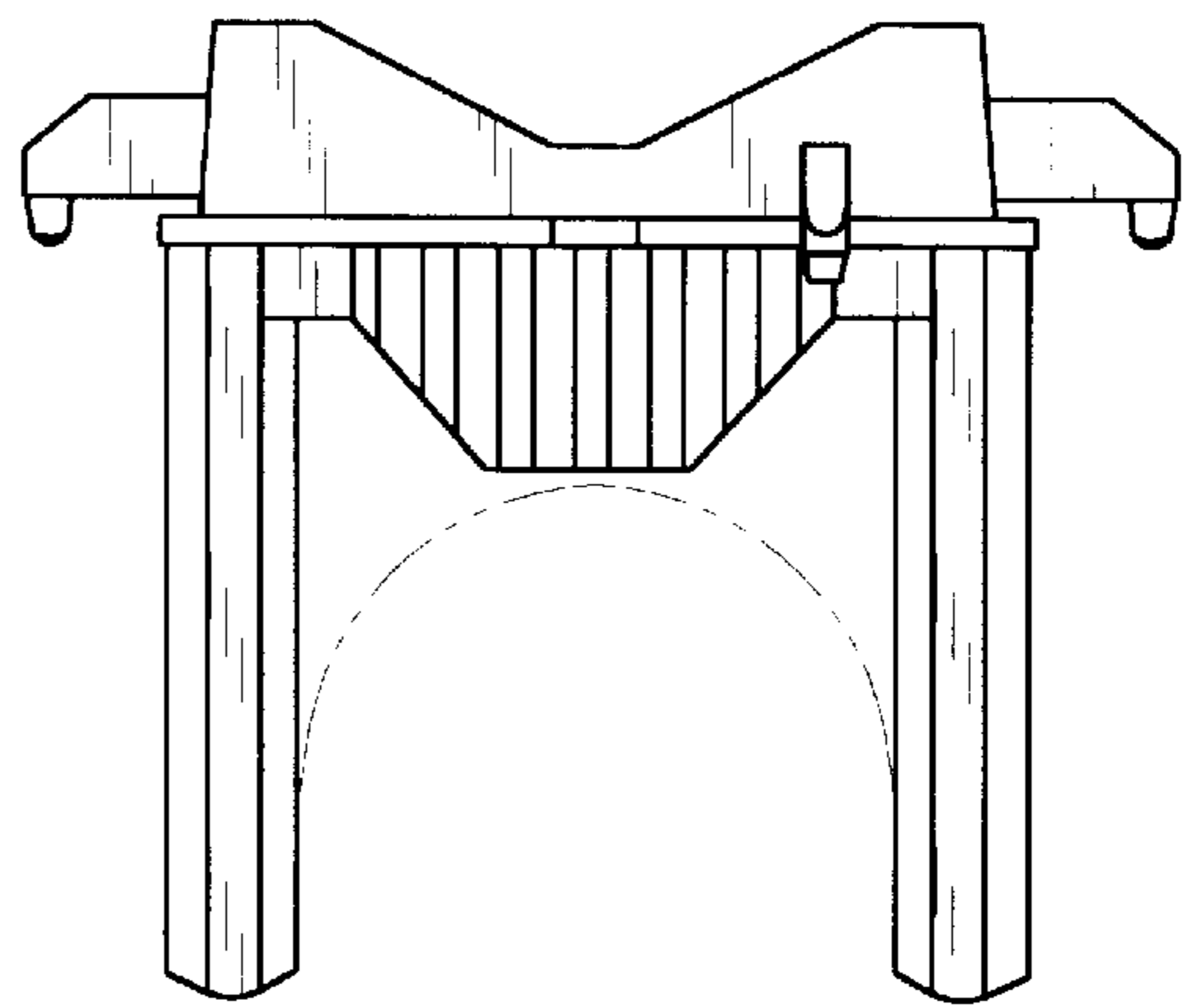
**FIG. 7**



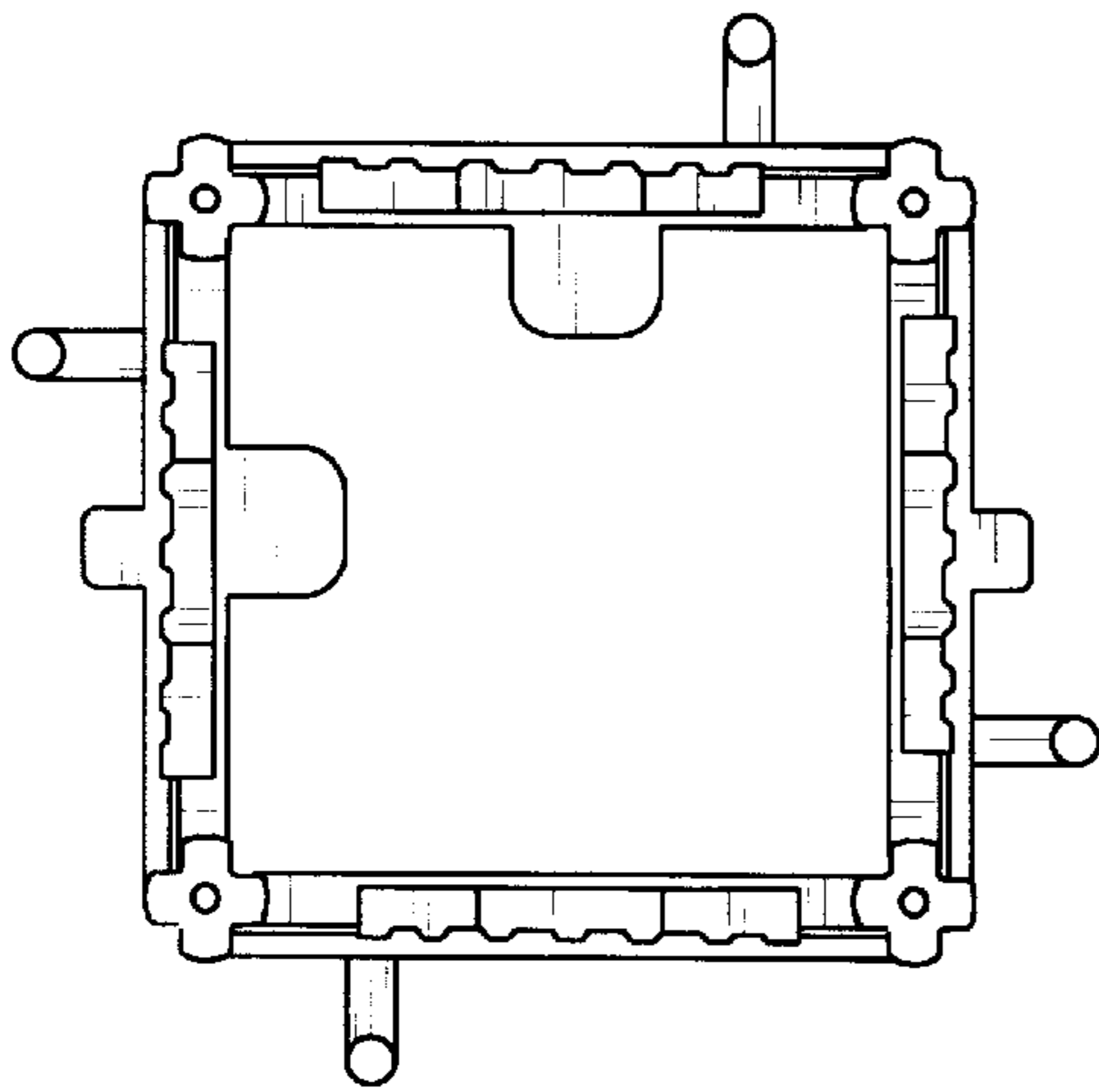
**FIG. 10**



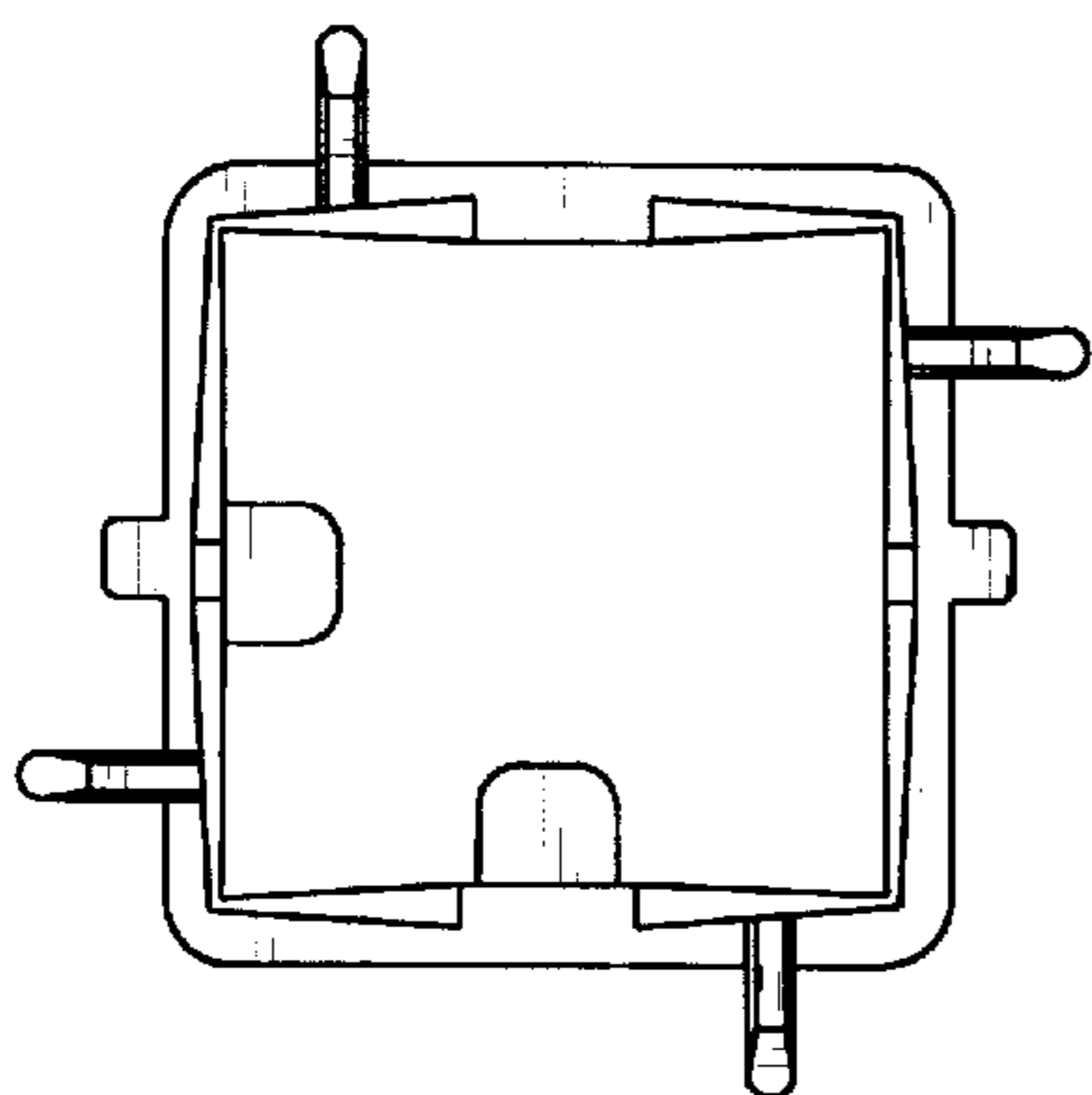
**FIG. 9**



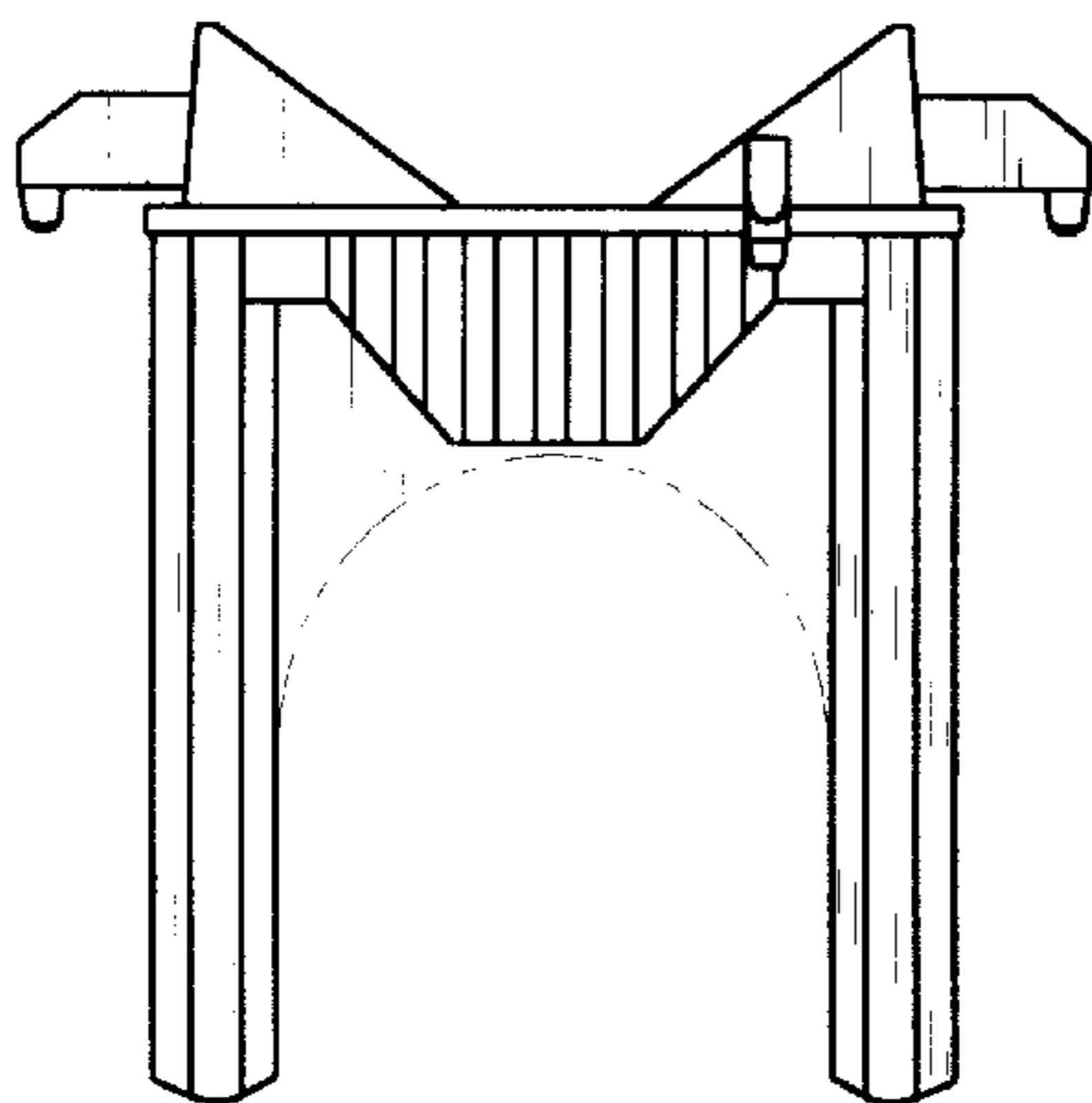
**FIG. 12**



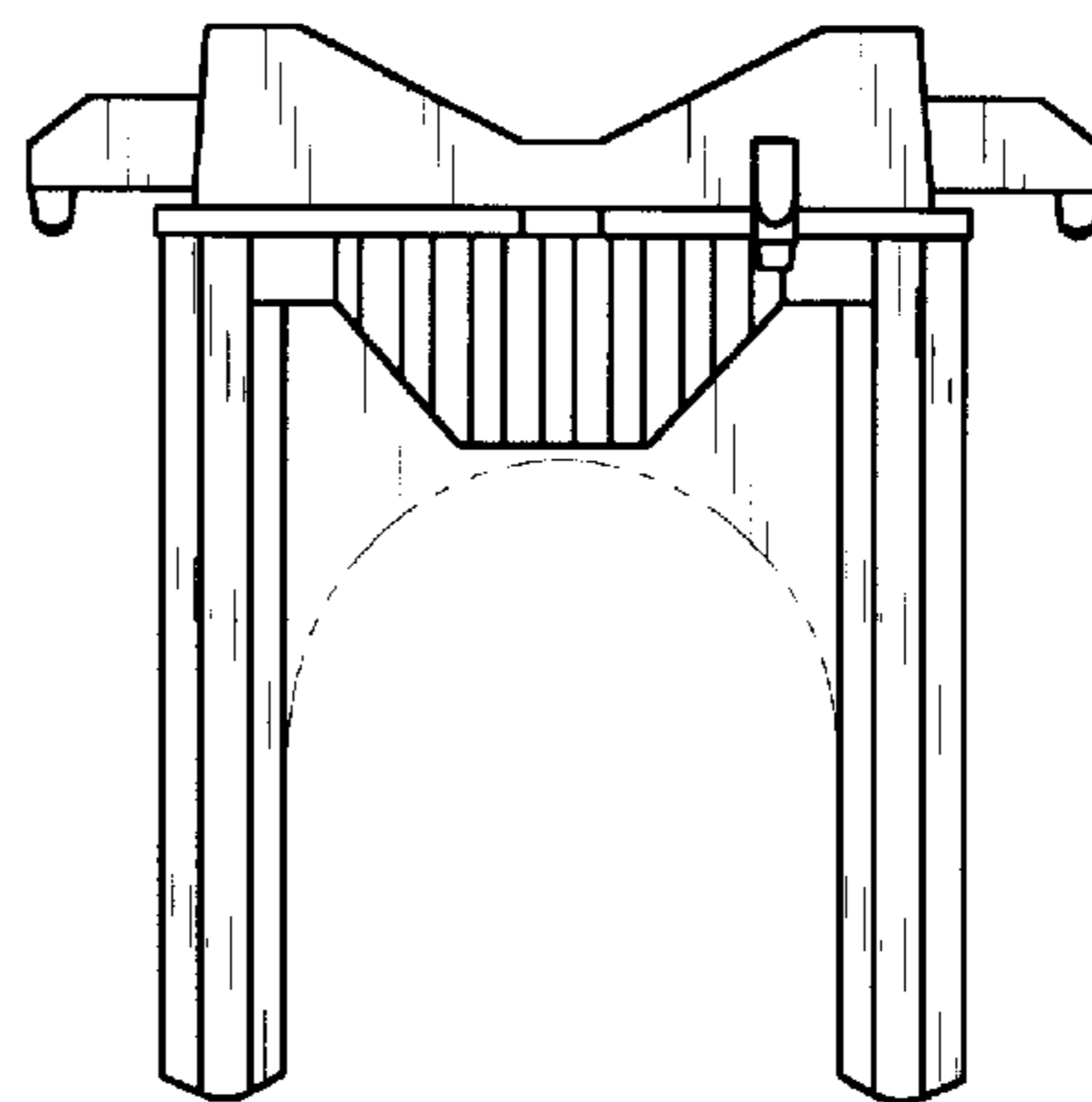
**FIG. 11**



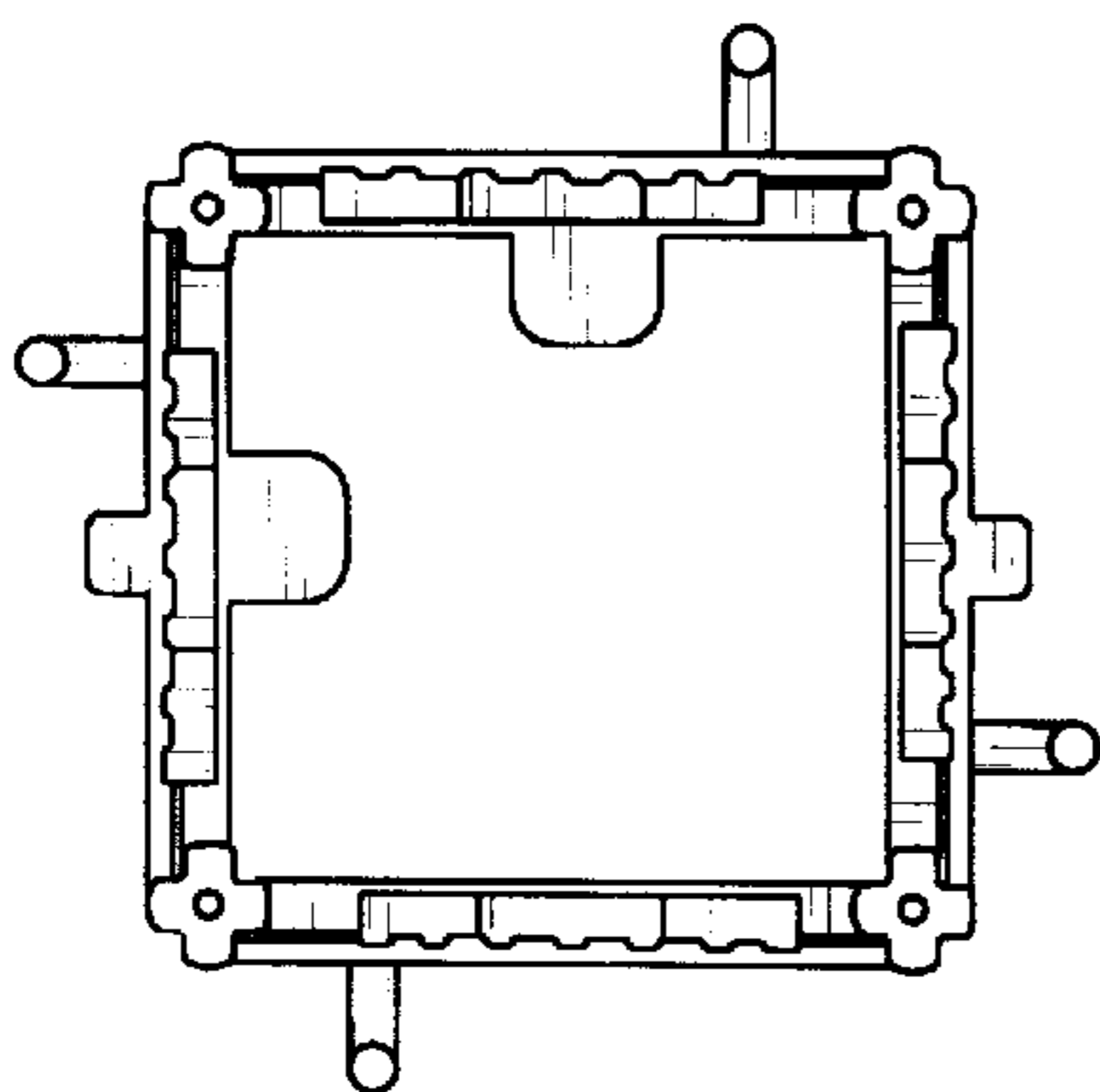
**FIG. 14**



**FIG. 13**



**FIG. 16**



**FIG. 15**