



US00D428499S

United States Patent [19]

[11] Patent Number: **Des. 428,499**

Bazzocchi

[45] Date of Patent: **** Jul. 18, 2000**

[54] **RETAINING WALL BLOCK WITH SIDE OPENINGS**

[75] Inventor: **Augusto Bazzocchi**, Dunwoody, Ga.

[73] Assignee: **Atlantech International, Inc.**, Atlanta, Ga.

[**] Term: **14 Years**

[21] Appl. No.: **29/105,614**

[22] Filed: **May 27, 1999**

[51] **LOC (7) Cl.** **25-01**

[52] **U.S. Cl.** **D25/113**

[58] **Field of Search** D25/102, 113-118; D21/484-486, 488-493, 499-505; 52/596, 604-612; 404/33-42; 405/284-286

[56] **References Cited**

U.S. PATENT DOCUMENTS

14,052	1/1856	Conkling	52/608
D. 33,317	10/1900	Lafferty	.
225,945	3/1880	Perchment	.
D. 317,209	5/1991	Forsberg	.
D. 319,885	9/1991	Blomquist et al.	.
D. 321,060	10/1991	Blomquist et al.	.
D. 340,996	11/1993	Woolbright	.
D. 359,367	6/1995	Ciccarello et al.	.
D. 362,511	9/1995	Anderson et al.	D25/113
D. 380,560	7/1997	Forsberg	.
D. 381,086	7/1997	Forsberg	.
722,712	3/1903	Jasper	.
741,040	10/1903	Jones	.
762,193	6/1904	Porten	.
762,251	6/1904	Porten	.
852,578	5/1907	Rounds	.
1,394,406	10/1921	Calvert	.
1,400,893	12/1921	Martin	52/608
1,412,666	4/1922	Mixon	.
1,542,909	6/1925	Regan	52/608
1,592,476	7/1926	Torrecelli	52/592.1
1,794,060	2/1931	Brozek	52/568
1,798,331	3/1931	Liptak	52/611
1,855,987	4/1932	Rammar	.
1,865,114	6/1932	Kissinger	52/608
2,313,363	3/1943	Schmitt	.

4,340,360	7/1982	Hoedl et al.	52/605
4,543,893	10/1985	Kunnecke	52/605
5,062,610	11/1991	Woolford et al.	.
5,161,918	11/1992	Hodel	.
5,214,898	6/1993	Beretta	.
5,294,216	3/1994	Sievert	.
5,353,569	10/1994	Rodrique	.
5,361,557	11/1994	Snyder et al.	52/608
5,540,525	7/1996	Miller et al.	405/284
5,589,124	12/1996	Woolford et al.	.
5,595,460	1/1997	Miller et al.	.
5,598,679	2/1997	Orton et al.	.
5,619,835	4/1997	Bailey, II et al.	52/606
5,673,530	10/1997	Bailey, II	.
5,827,015	10/1998	Woolford et al.	.

FOREIGN PATENT DOCUMENTS

171859	7/1952	Austria	52/608
371000	2/1907	France	52/608
1438181	4/1966	France	52/608
2259654	12/1972	Germany	52/608
239016	9/1986	Germany	405/284
1438926	6/1976	United Kingdom	52/608

OTHER PUBLICATIONS

Gordon Schmidt, "The Story Of Concrete . . .", concrete block illustrated, Concrete, Dec. 1958, p. 26.

Primary Examiner—Louis S. Zarfaz
Assistant Examiner—Robert A. Delehanty
Attorney, Agent, or Firm—Jacobson, Price, Holman & Stern, PLLC

[57] **CLAIM**

The ornamental design of a retaining wall block with side openings, as shown and described.

DESCRIPTION

FIG. 1 is a bottom perspective view of a retaining wall block with side openings showing my new design; FIG. 2 is a bottom plan view thereof; and, FIG. 3 is a side elevational view thereof, the opposite side being a mirror image of FIG. 3. The broken lines in the drawings are for illustrative purposes only and form no part of the claimed design.

1 Claim, 1 Drawing Sheet

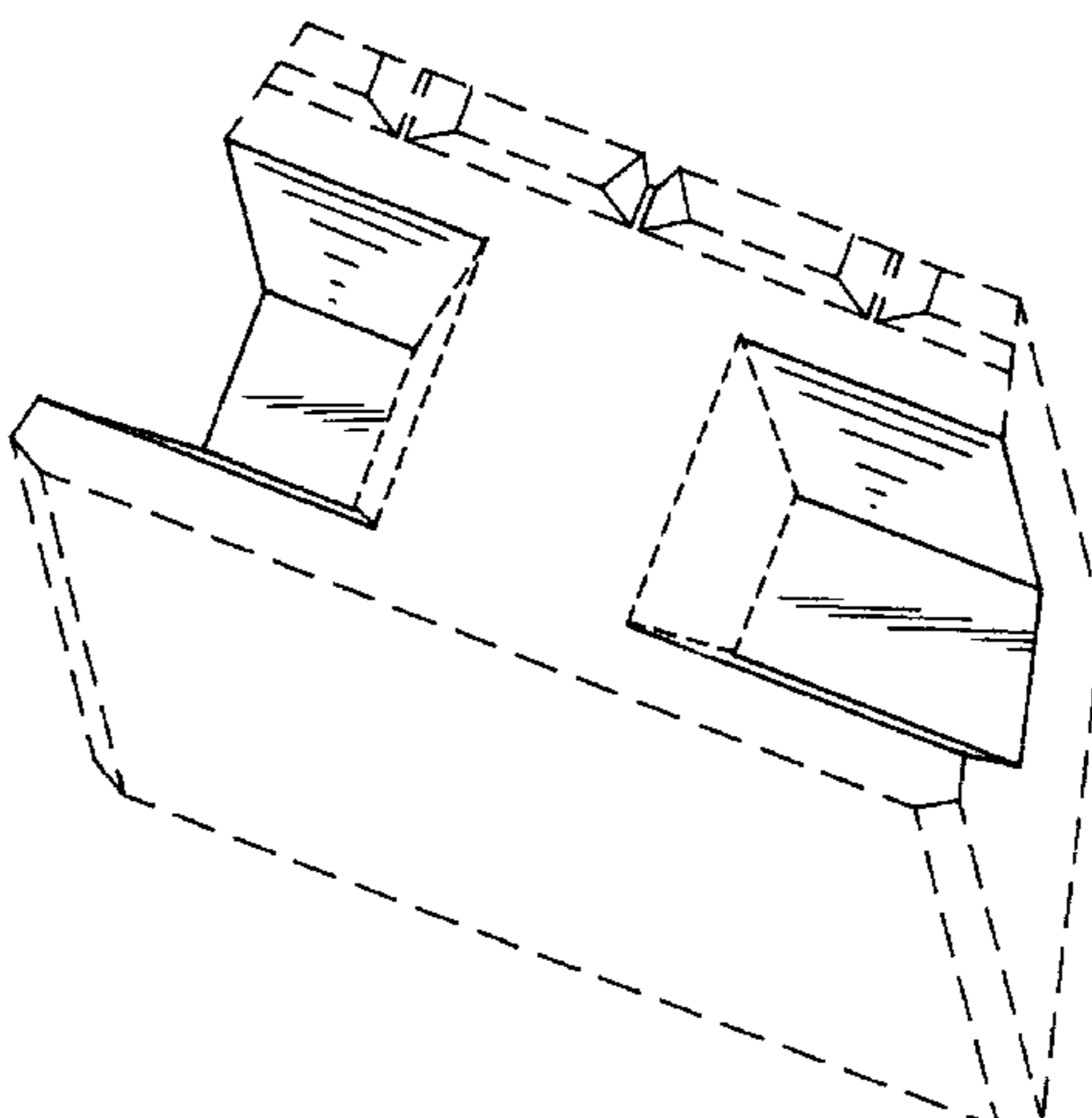


FIG. 1

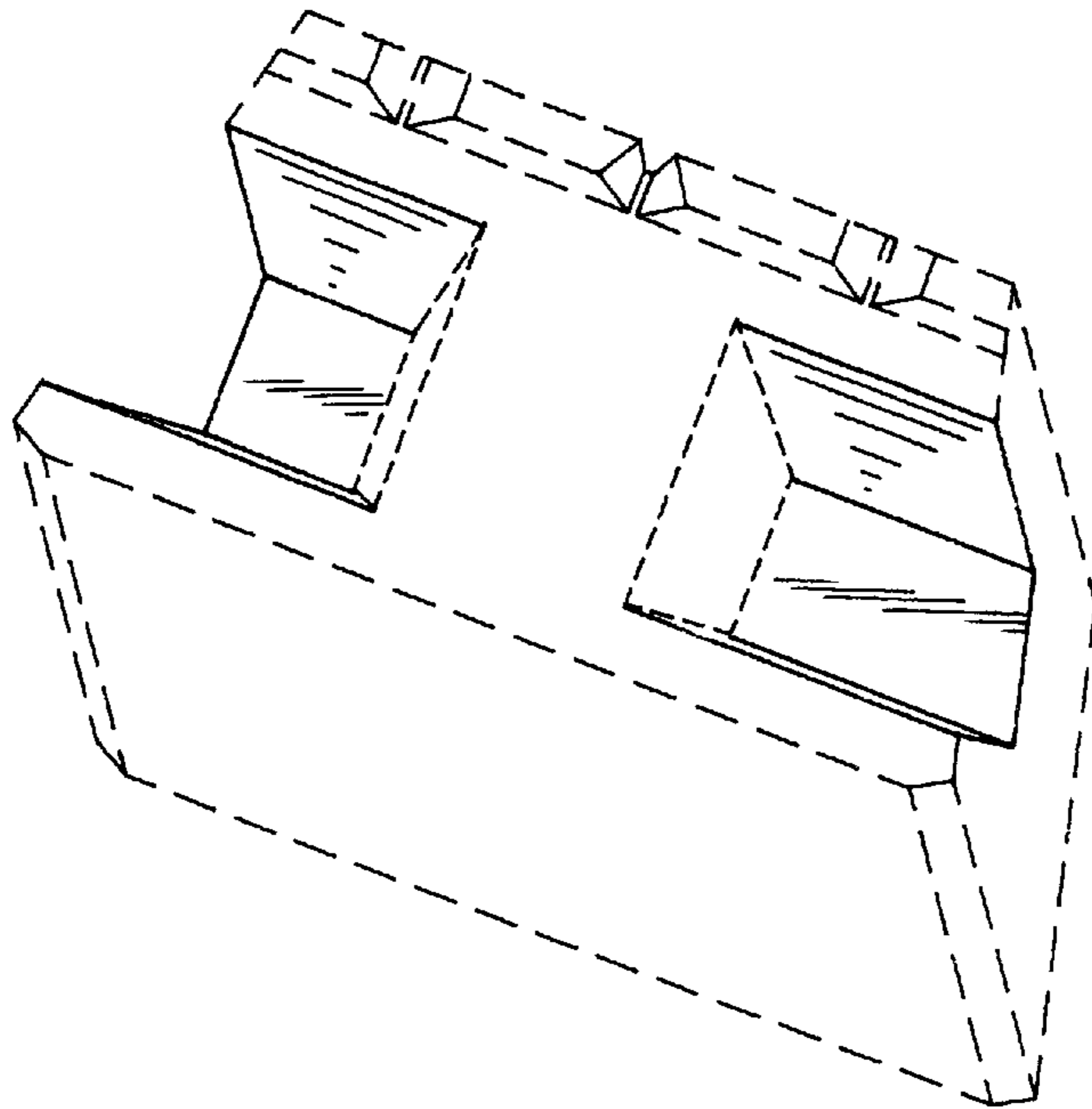


FIG. 2

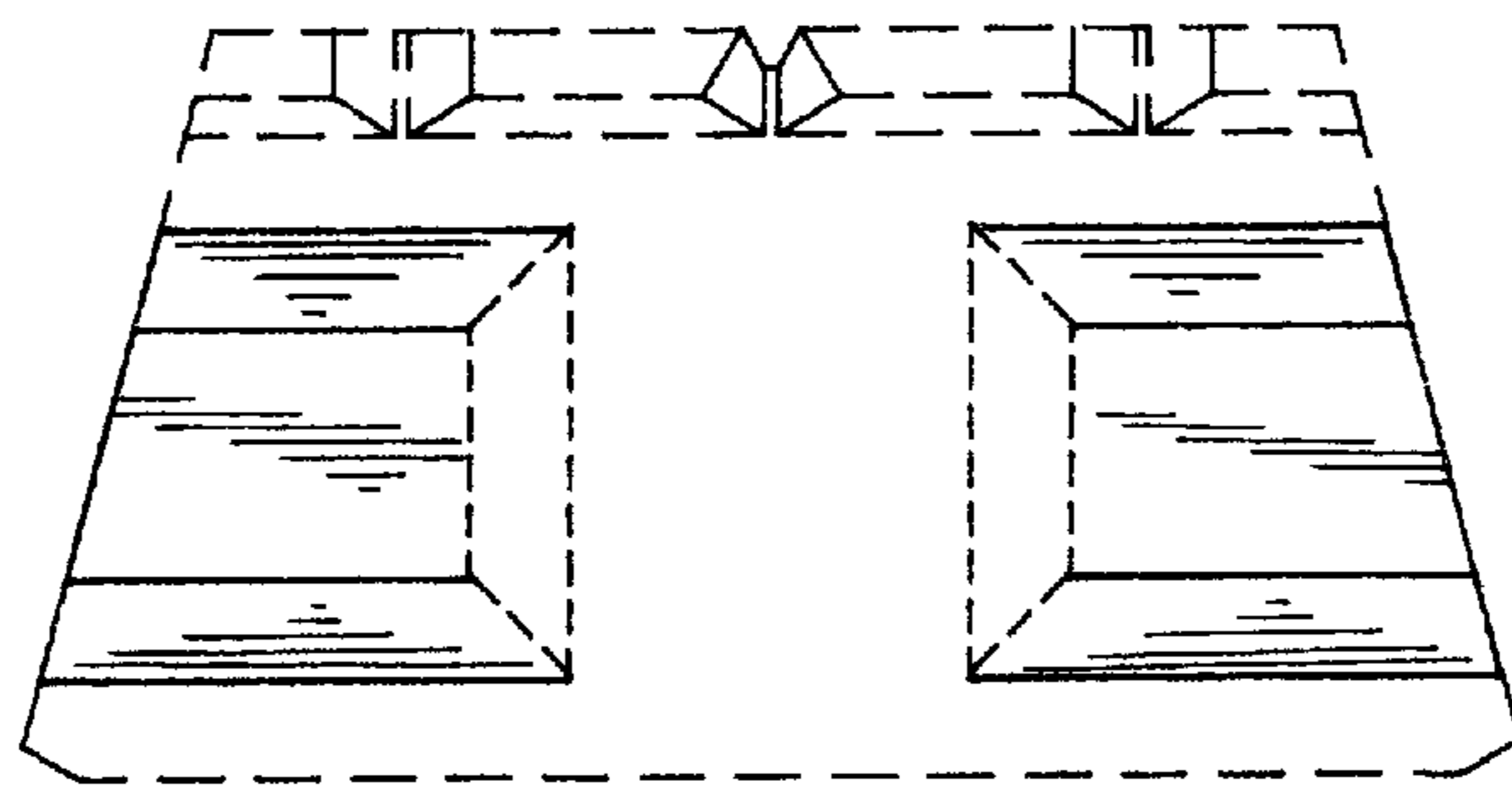


FIG. 3

