



US00D428497S

# United States Patent [19]

Lapeus et al.

[11] Patent Number: **Des. 428,497**

[45] Date of Patent: **\*\* Jul. 18, 2000**

[54] TEST TUBE SAMPLE RACK

[75] Inventors: **David J. Lapeus**, Medina, Ohio;  
**Michael Ballash**, Miami, Fla.

[73] Assignee: **Bayer Corporation**, East Walpole,  
Mass.

[\*\*] Term: **14 Years**

[21] Appl. No.: **29/084,655**

[22] Filed: **Mar. 6, 1998**

### Related U.S. Application Data

[63] Continuation-in-part of application No. 29/083,143, Feb. 5, 1998, Pat. No. Des. 413,391, which is a continuation of application No. 08/502,653, Jul. 14, 1995, Pat. No. 5,720,377.

[51] LOC (7) Cl. .... **06-04**

[52] U.S. Cl. .... **D24/227; D24/229**

[58] Field of Search ..... D24/227, 230,  
D24/226, 229, 223; 422/65, 63, 102; 206/74,  
70.1

### [56] References Cited

#### U.S. PATENT DOCUMENTS

D. 382,346	8/1997	Bahler et al. ....	D24/230 X
3,854,602	12/1974	Blank .....	214/6
3,985,507	10/1976	Litz et al. ....	23/253
4,040,533	8/1977	DeBoer et al. ....	214/310
4,454,939	6/1984	Kampf et al. ....	198/341
4,503,964	3/1985	Kampf et al. ....	198/341
4,678,752	7/1987	Thorne et al. ....	435/291
4,861,554	8/1989	Sakuma .....	422/65
4,944,924	7/1990	Mawhirt et al. ....	422/104
5,008,082	4/1991	Shaw .....	422/65
5,128,105	7/1992	Berthold et al. ....	422/104
5,186,339	2/1993	Heissler .....	D24/229 X

5,224,585	7/1993	Blanco et al. ....	198/803.01
5,525,304	6/1996	Matsson et al. ....	D24/277 X

#### FOREIGN PATENT DOCUMENTS

410645A2	1/1991	European Pat. Off. ....	G01N 35/02
----------	--------	-------------------------	------------

#### OTHER PUBLICATIONS

Boehringer Mannheim/Hitachi 747-100 Operator's Manual, 1.3 Sample Transport System, pp. 1-15-1-20 (1992).  
Boehringer Mannheim/Hitachi 747-100 Analyzer Operator's Manual, 5.4 Sample Transport System, pp. 5-13-5-24 (1992).

*Primary Examiner*—Stella Reid

*Assistant Examiner*—I Simmons

*Attorney, Agent, or Firm*—Charles L. Gagnebin, III; Gordon R. Moriarty

#### [57] CLAIM

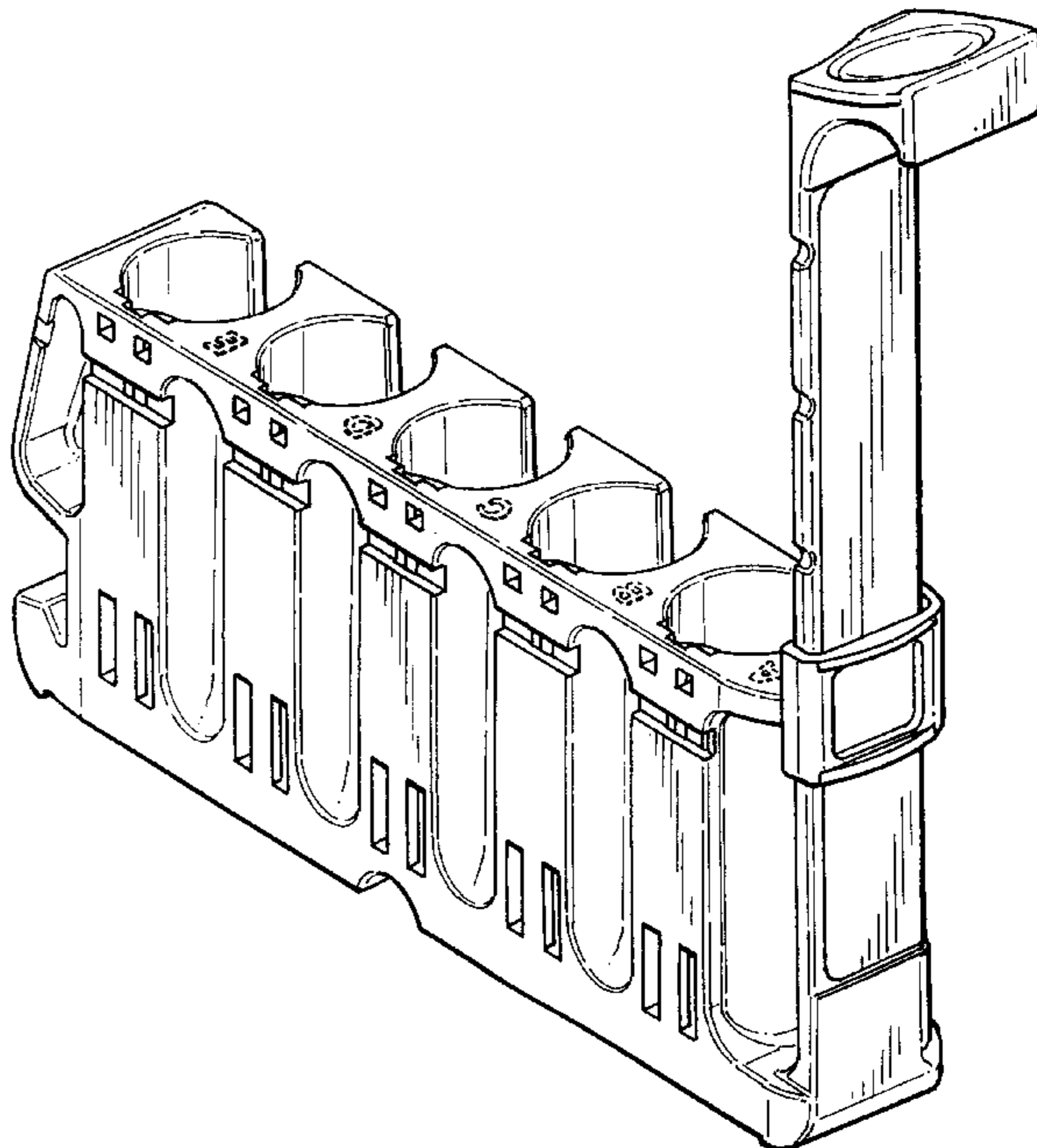
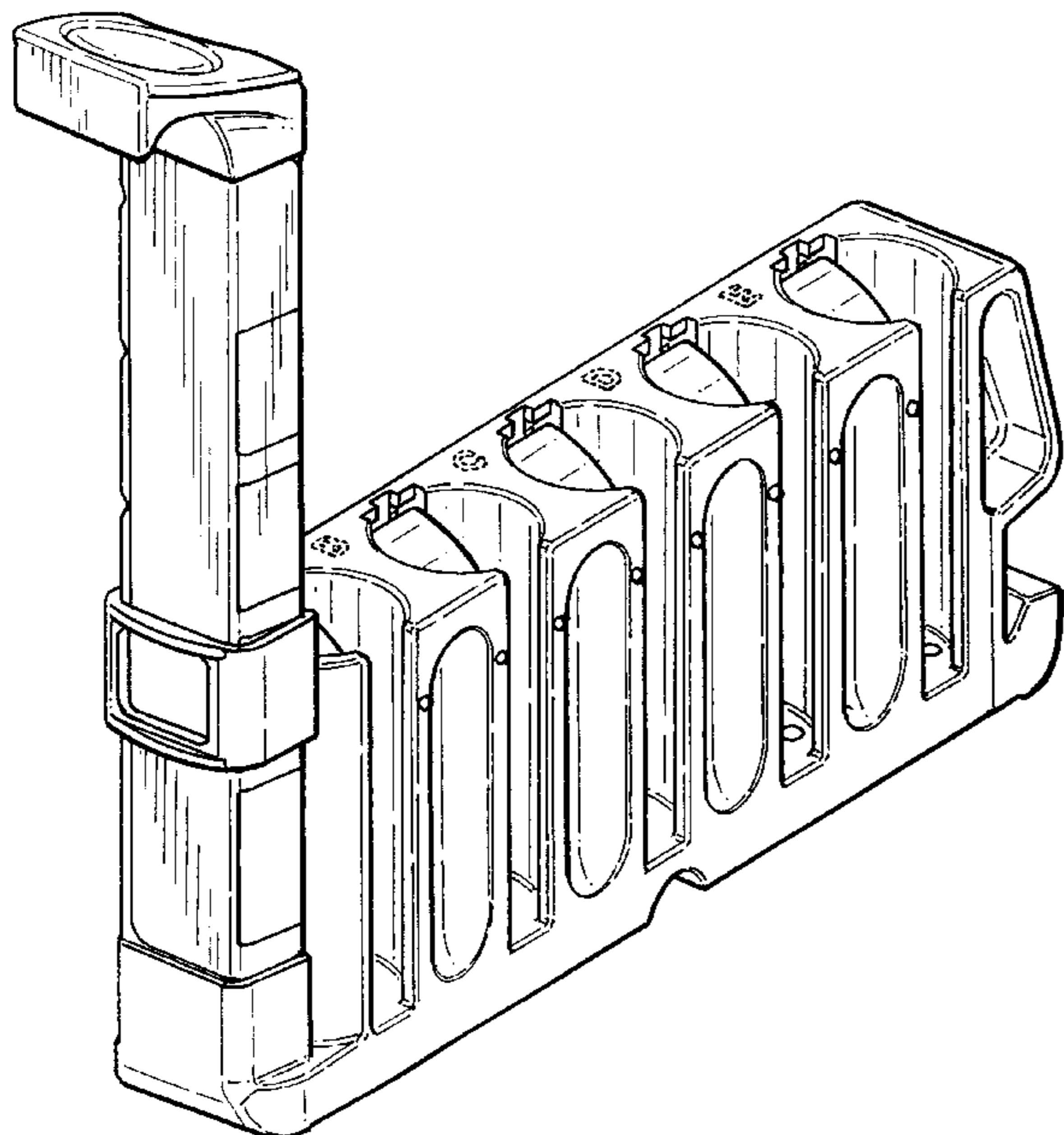
The ornamental design for a test tube sample rack, as shown and described.

#### DESCRIPTION

FIG. 1 is a right-front perspective view of the test tube sample rack;  
FIG. 2 is a left-front perspective view thereof;  
FIG. 3 is a right-rear perspective view thereof;  
FIG. 4 is a left-rear perspective view thereof;  
FIG. 5 is a front view thereof;  
FIG. 6 is a right view thereof;  
FIG. 7 is a rear view thereof;  
FIG. 8 is a left view thereof;  
FIG. 9 is a top view thereof; and  
FIG. 10 is a bottom view thereof.

The broken line showing in FIGS. 1, 2, 3, 4, 6, 7, 8, 9 and 10 are for illustrative purposes only and form no part of the claimed design.

1 Claim, 6 Drawing Sheets



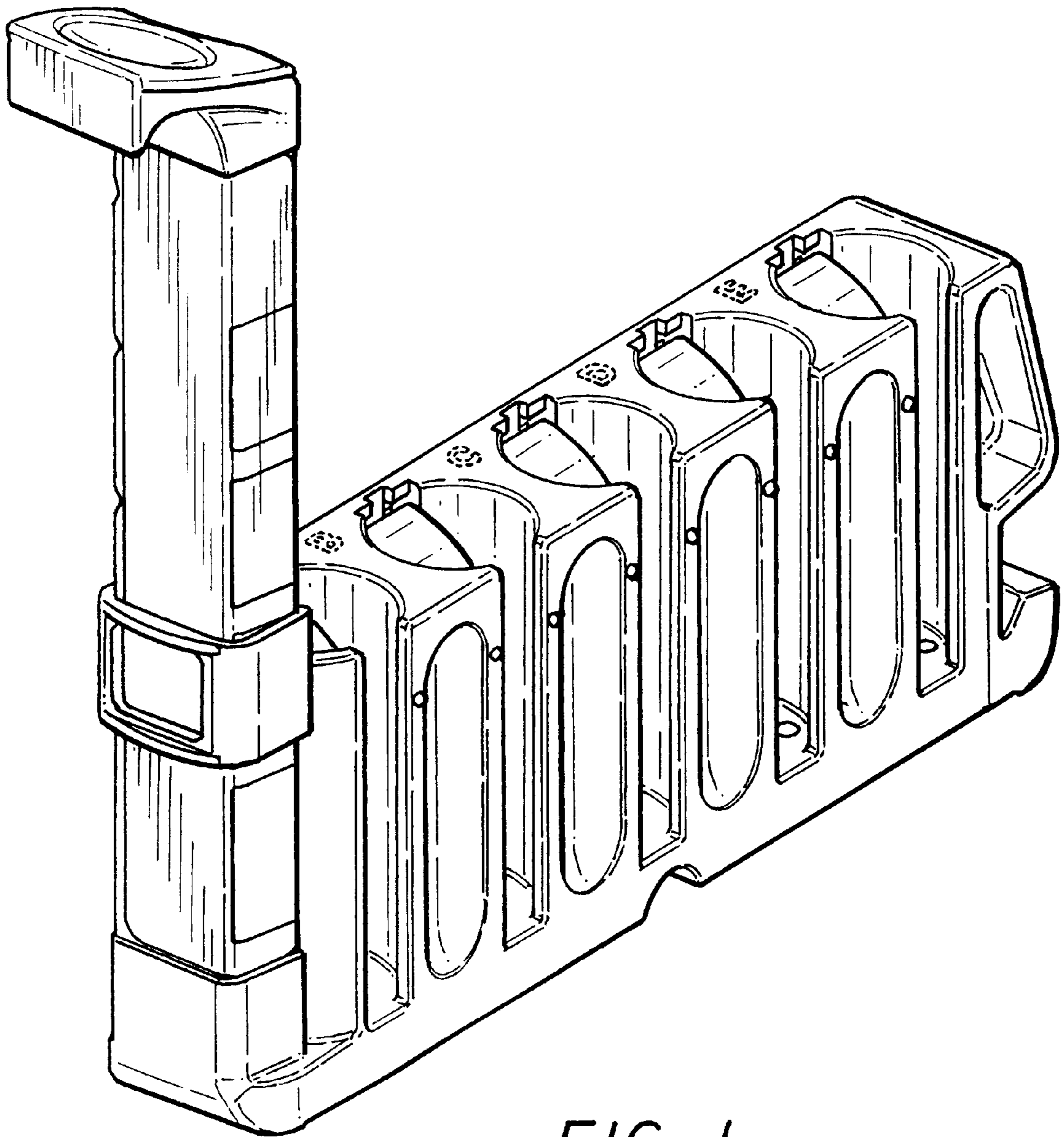


FIG. 1

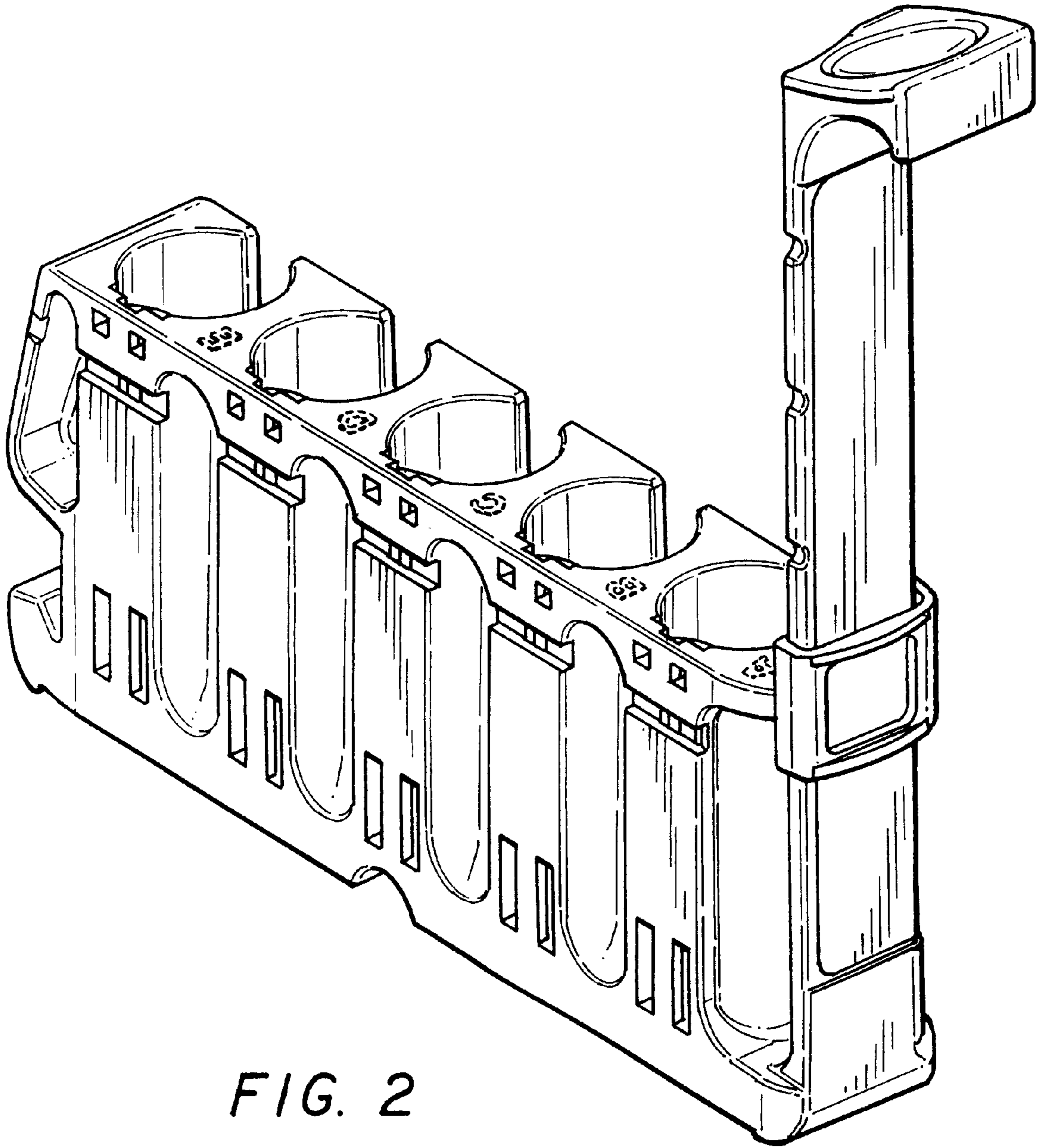


FIG. 2

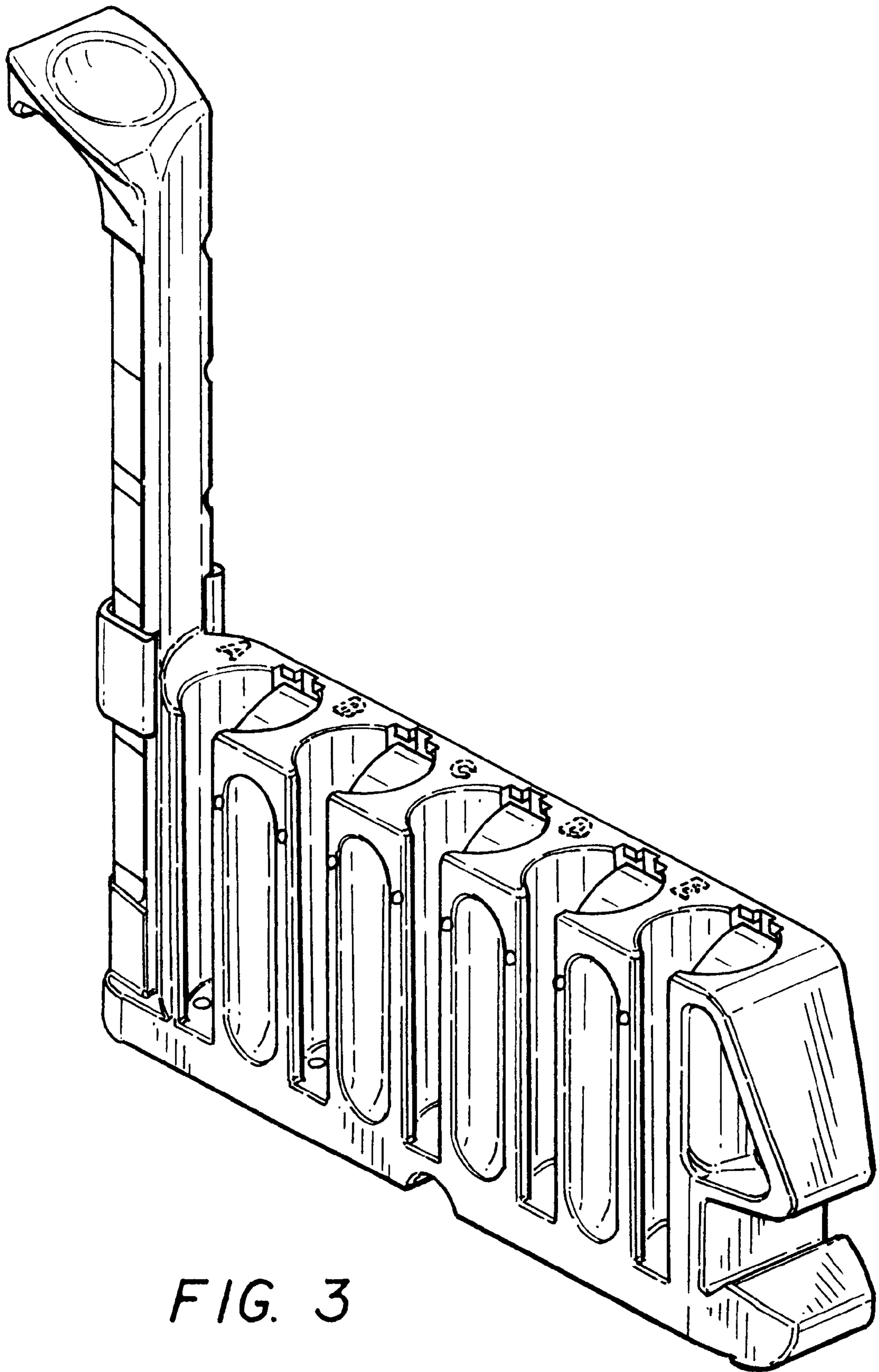


FIG. 3

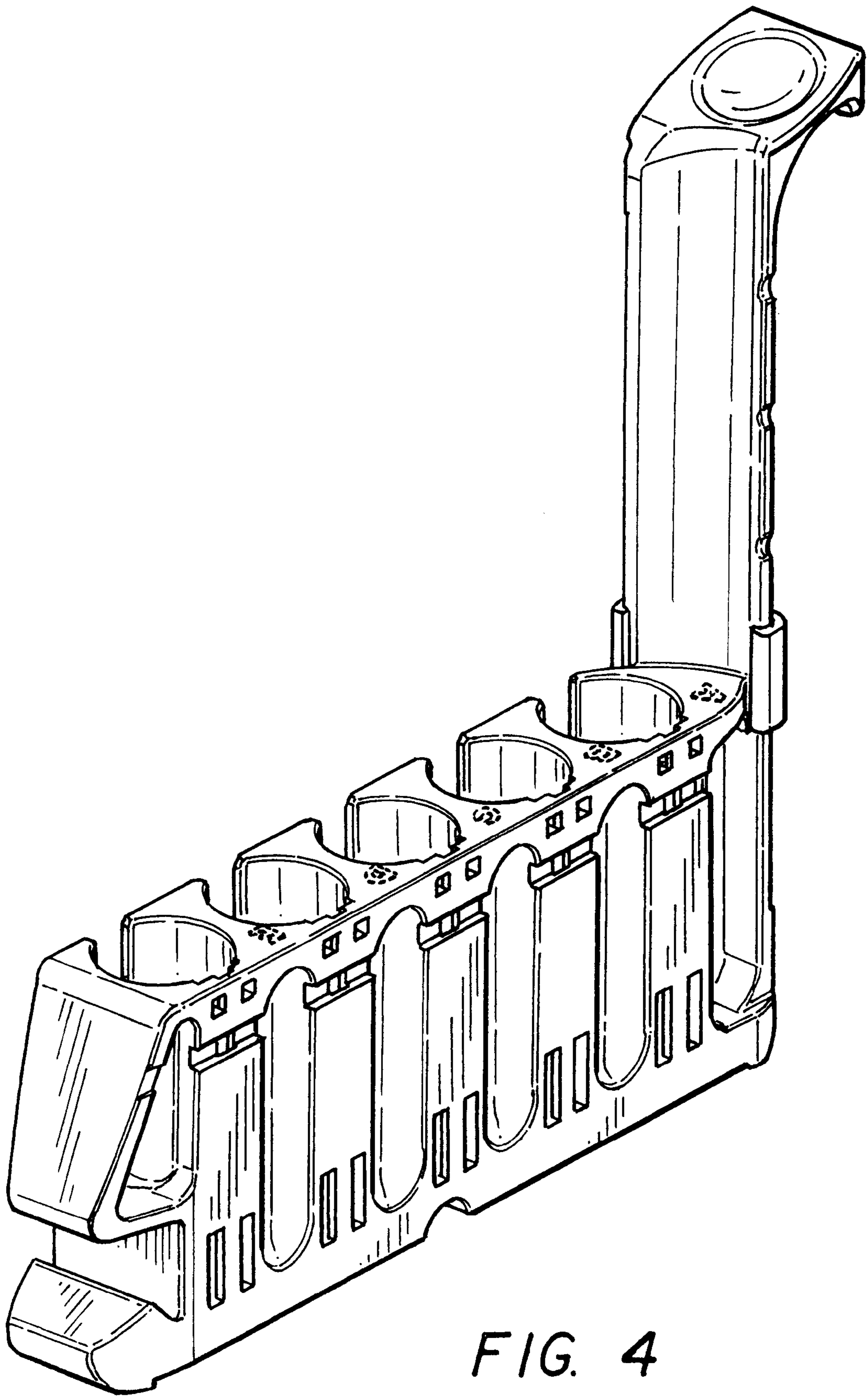


FIG. 4

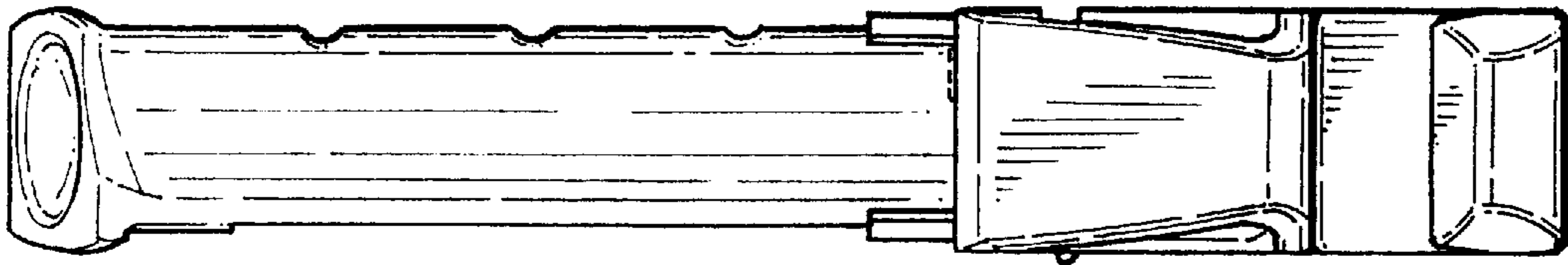


FIG. 7

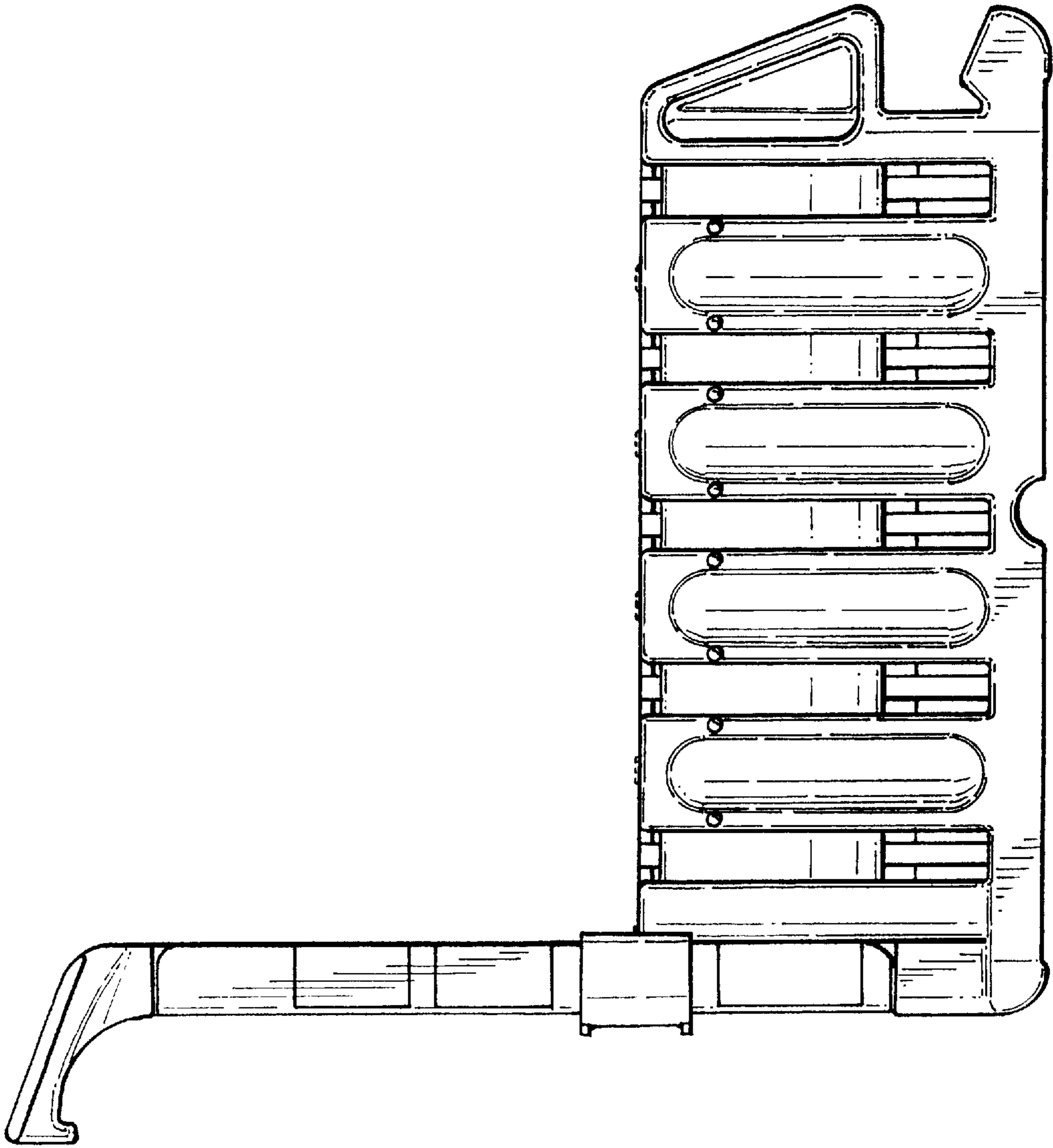


FIG. 6

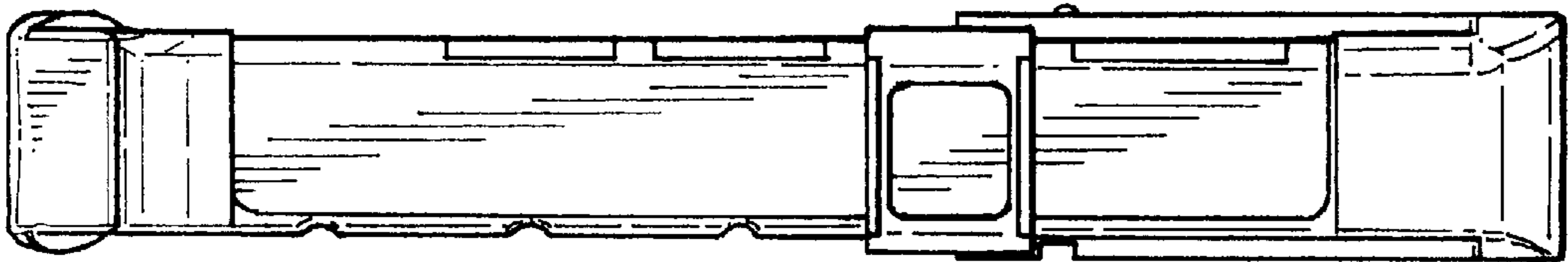


FIG. 5

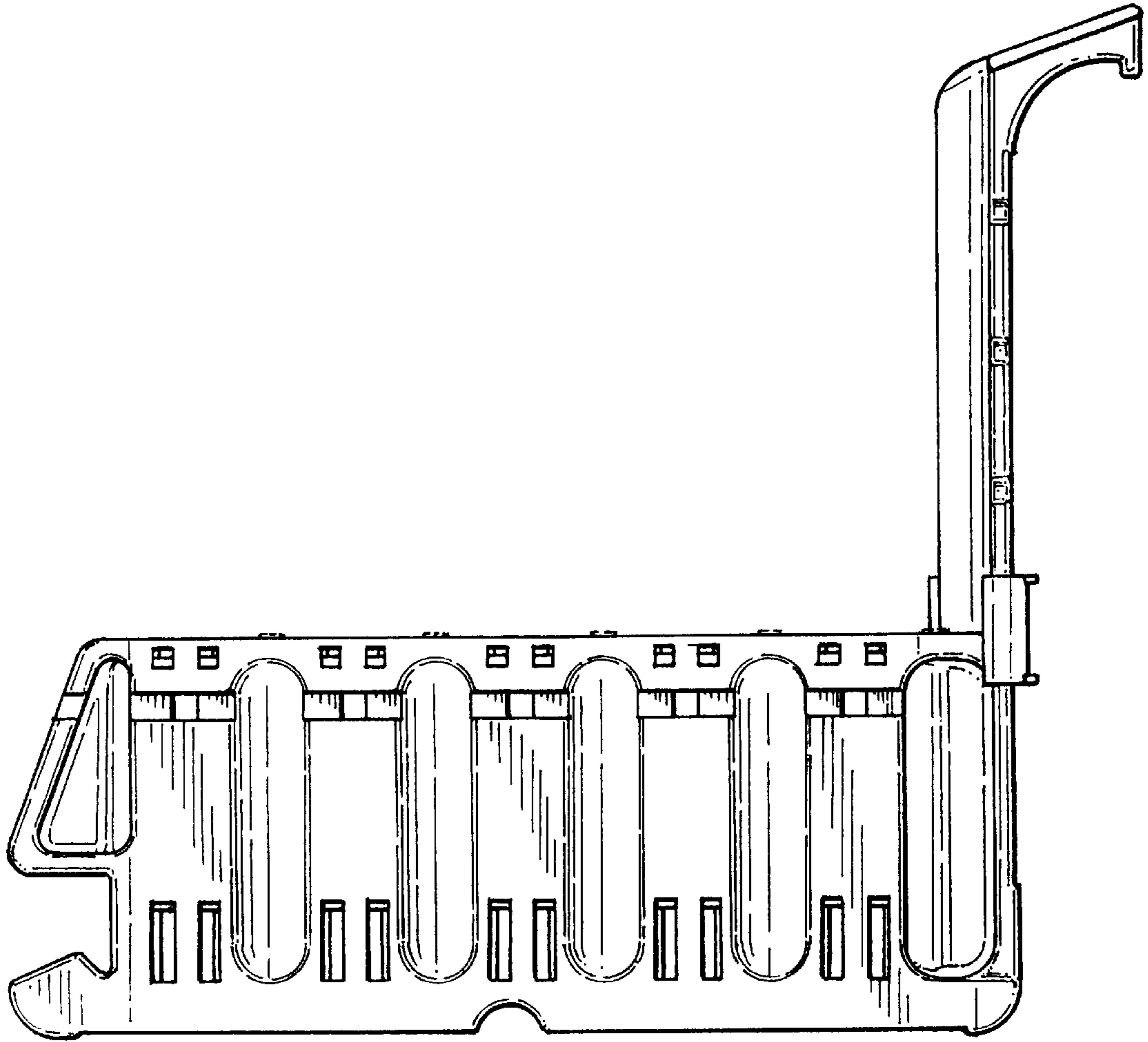


FIG. 8

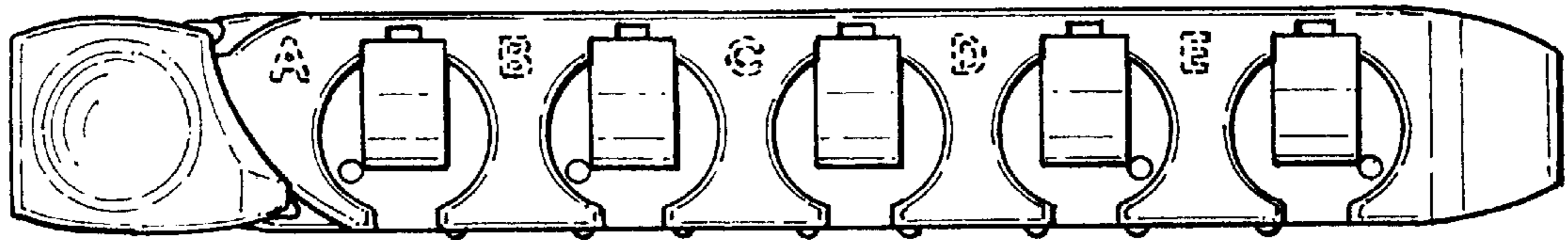


FIG. 9

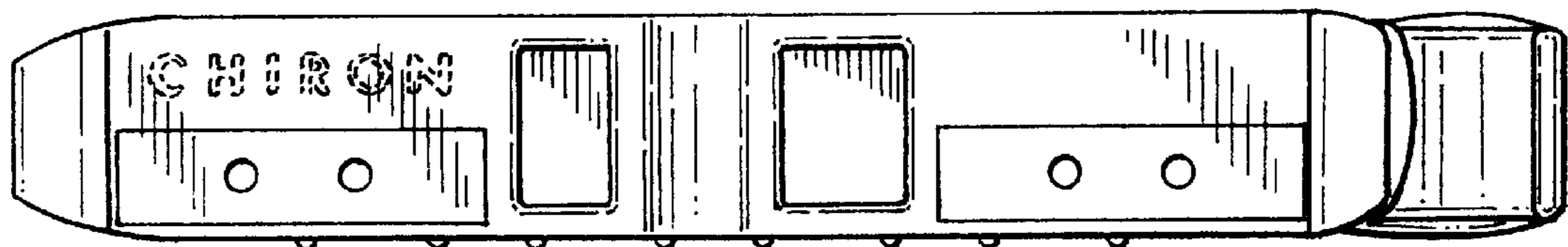


FIG. 10