



US00D428496S

United States Patent [19]

Thom et al.

[11] Patent Number: Des. 428,496

[45] Date of Patent: ** Jul. 18, 2000

[54] COMBINED BABY BOTTLE AND CAP

[75] Inventors: Paul Thom, Montclair; Richard Chomik, Garwood, both of N.J.

[73] Assignee: Playtex Products, Inc., Westport, Conn.

[**] Term: 14 Years

[21] Appl. No.: 29/072,908

[22] Filed: Jun. 13, 1997

Related U.S. Application Data

[63] Continuation-in-part of application No. 29/057,035, Jul. 15, 1996, Pat. No. Des. 389,583, which is a continuation of application No. 29/035,442, Feb. 27, 1995, Pat. No. Des. 371,849.

[51] LOC (7) Cl. 07-01

[52] U.S. Cl. D24/197

[58] Field of Search D24/197; 215/11.1, 215/11.2, 11.3, 11.4, 11.5, 11.6

[56] References Cited

U.S. PATENT DOCUMENTS

- D. 136,976 1/1944 Ostrin .
- D. 138,925 9/1944 Ostrin et al. .
- 166,747 8/1875 Christie .
- D. 226,688 4/1973 Thornton .
- 234,224 11/1880 Barton .
- D. 249,076 8/1978 Meeker et al. .
- 253,014 1/1882 Day .
- D. 309,781 8/1990 Sharon et al. .
- D. 316,754 5/1991 Lau .
- D. 336,685 6/1993 Hsu .
- 357,439 2/1887 Wheelock .
- D. 371,849 7/1996 Thom D24/197
- 416,355 12/1889 Chalk .

- 438,937 10/1890 McKinnon .
- 446,116 2/1891 Monroe .
- 484,811 10/1892 Newell .
- 1,056,113 3/1913 Morgan .
- 1,966,614 7/1934 Creser et al. .
- 2,469,489 5/1949 Allen et al. .
- 2,514,744 7/1950 Cipyak .
- 3,071,272 1/1963 Doner .
- 3,145,867 8/1964 Roberts et al. .
- 4,676,387 6/1987 Stephenson et al. .
- 4,813,556 3/1989 Lawrence .
- 4,832,213 5/1989 Sharon et al. .
- 4,867,325 9/1989 Dransfield .
- 4,940,151 7/1990 Fett .
- 4,971,211 11/1990 Lake .
- 5,069,351 12/1991 Gunderson et al. .
- 5,269,425 12/1993 Gomez-Acevedo .
- 5,269,426 12/1993 Morano .
- 5,499,729 3/1996 Greenwood et al. .

Primary Examiner—Stella Reid
Attorney, Agent, or Firm—Ohlandt, Greeley, Ruggiero & Perle

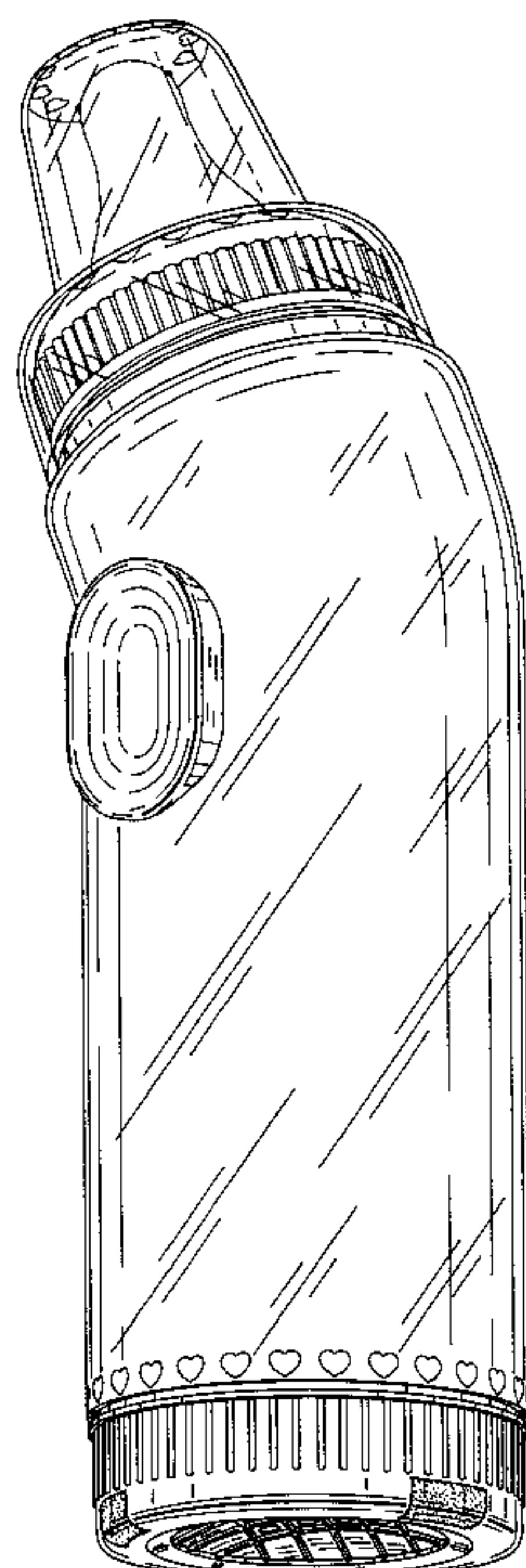
[57] CLAIM

The ornamental design for a combined baby bottle and cap, as shown and described.

DESCRIPTION

FIG. 1 is a perspective view of combined baby bottle and cap, showing my new design;
FIG. 2 is an exploded perspective view thereof;
FIG. 3 is a side elevational view thereof;
FIG. 4 is a side elevational view thereof, with the cap partially removed;
FIG. 5 is a top plan view of FIG. 1;
FIG. 6 is a bottom plan view of FIG. 1;
FIG. 7 is a front elevational view of FIG. 4; and,
FIG. 8 is a rear elevational view of FIG. 1.

1 Claim, 7 Drawing Sheets



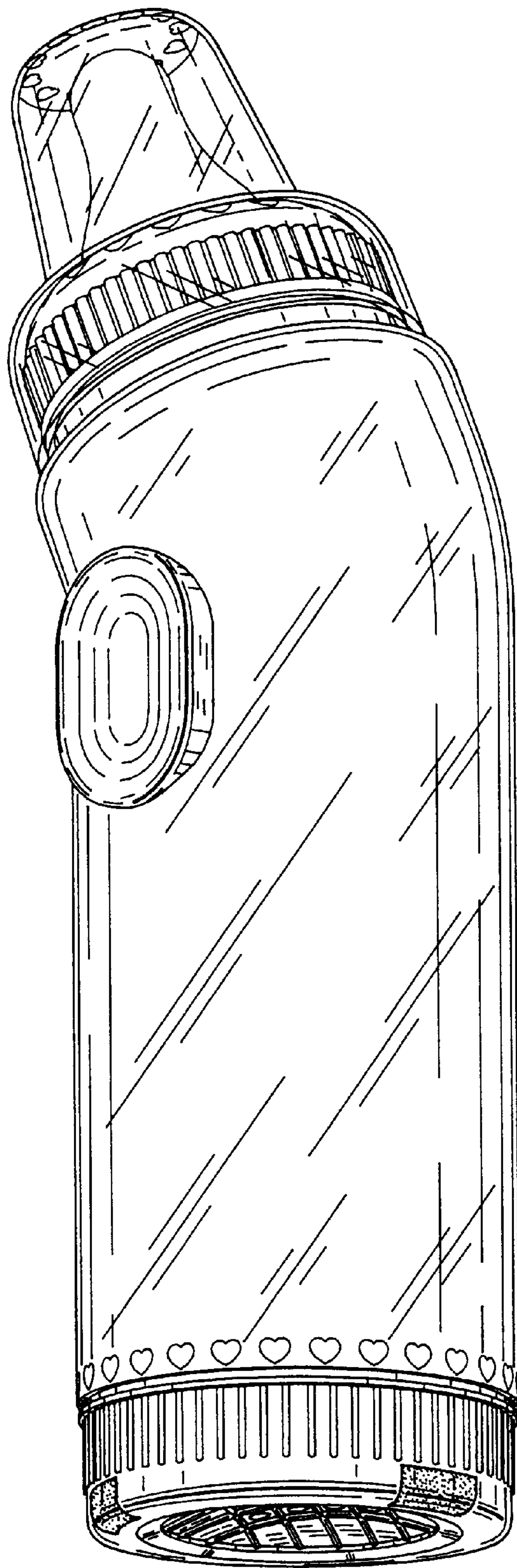
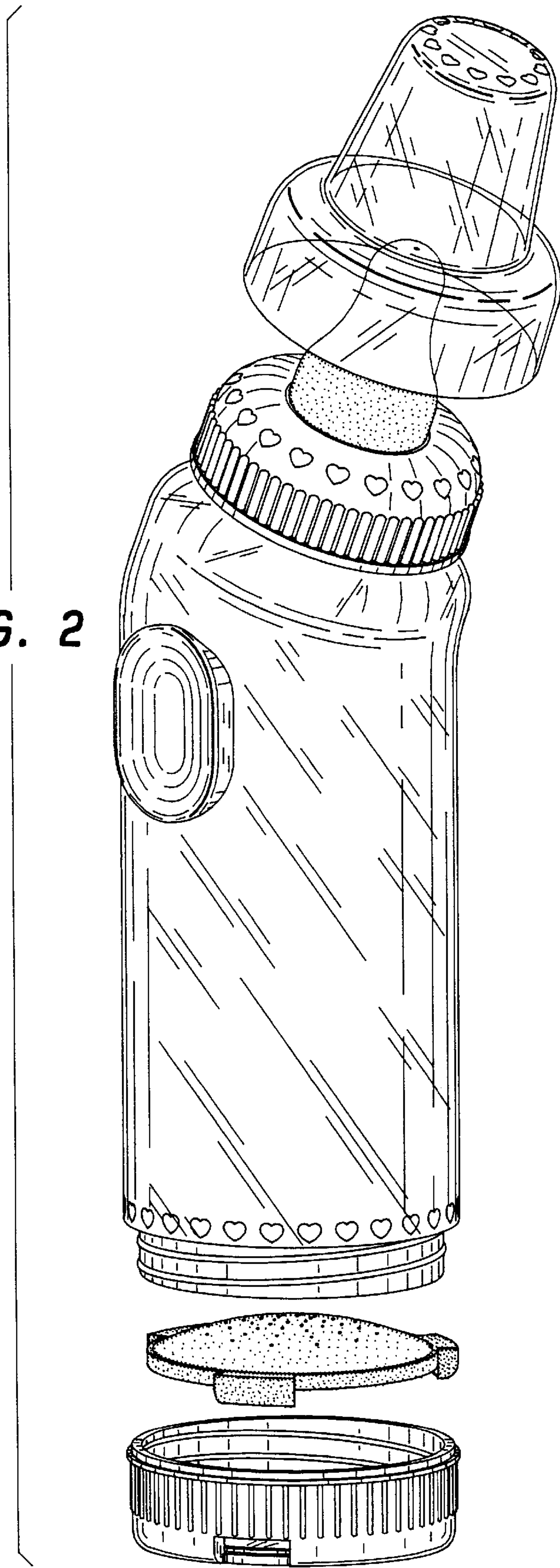


FIG. 1

FIG. 2



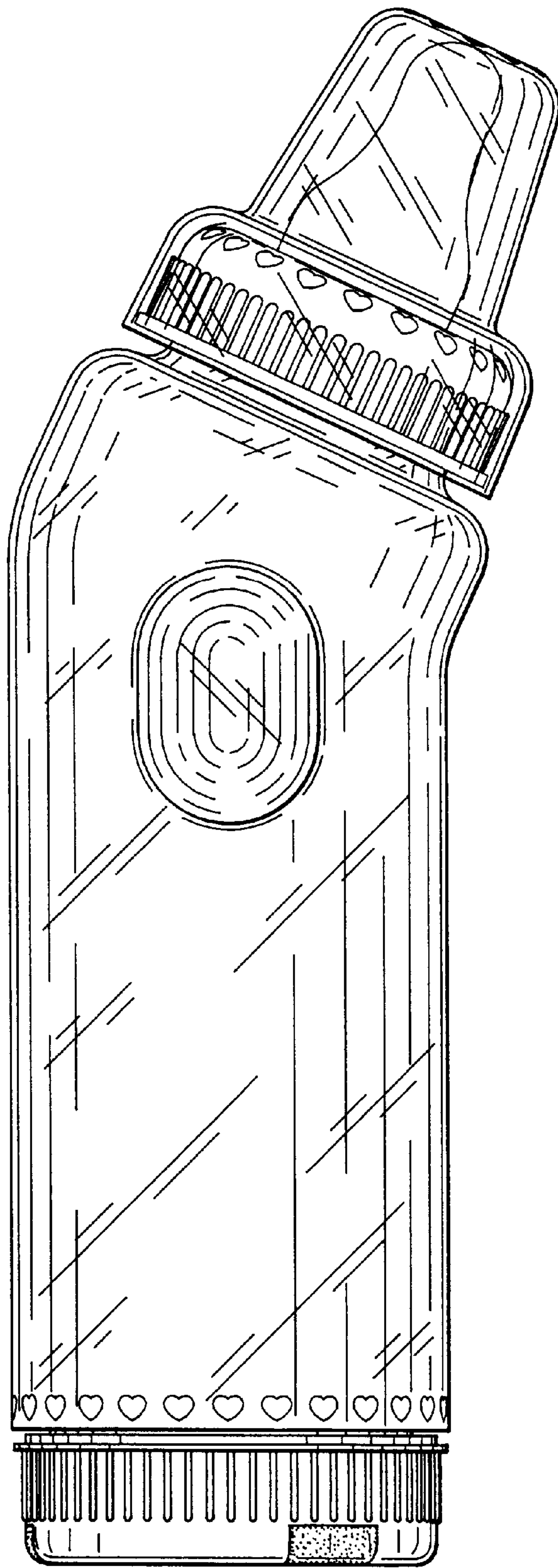
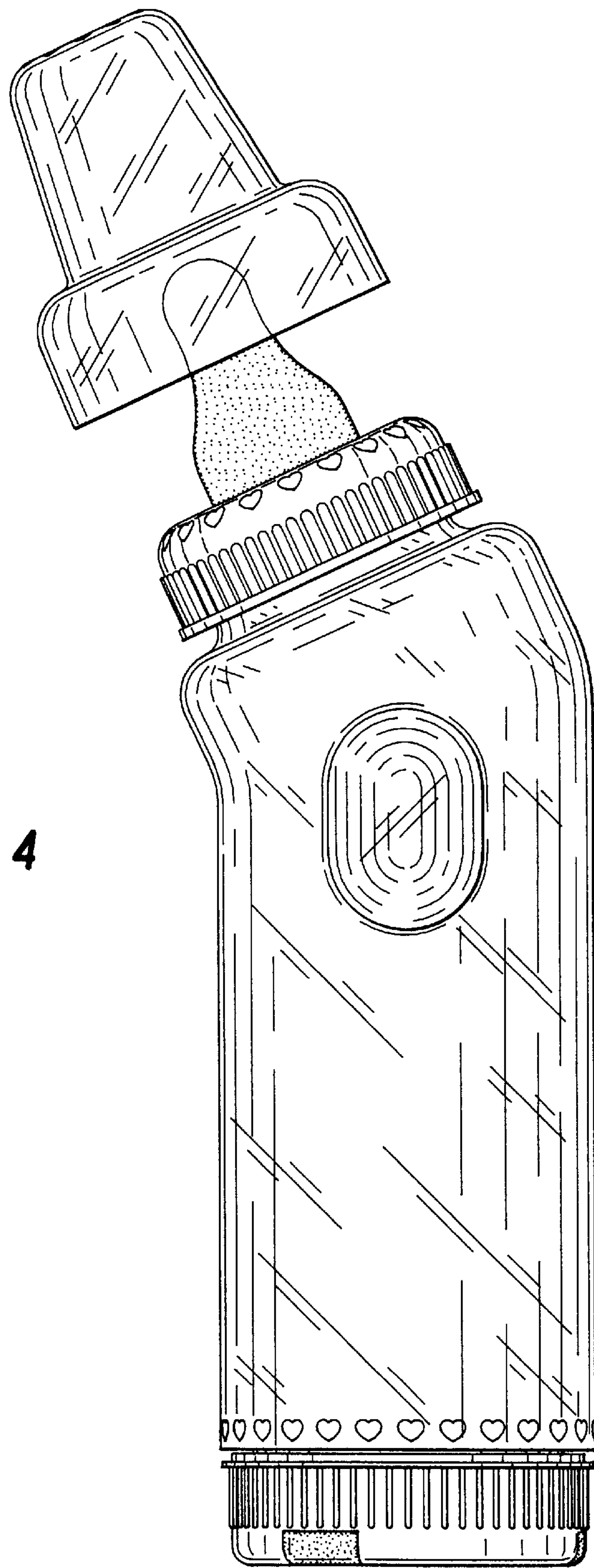


FIG. 3

FIG. 4



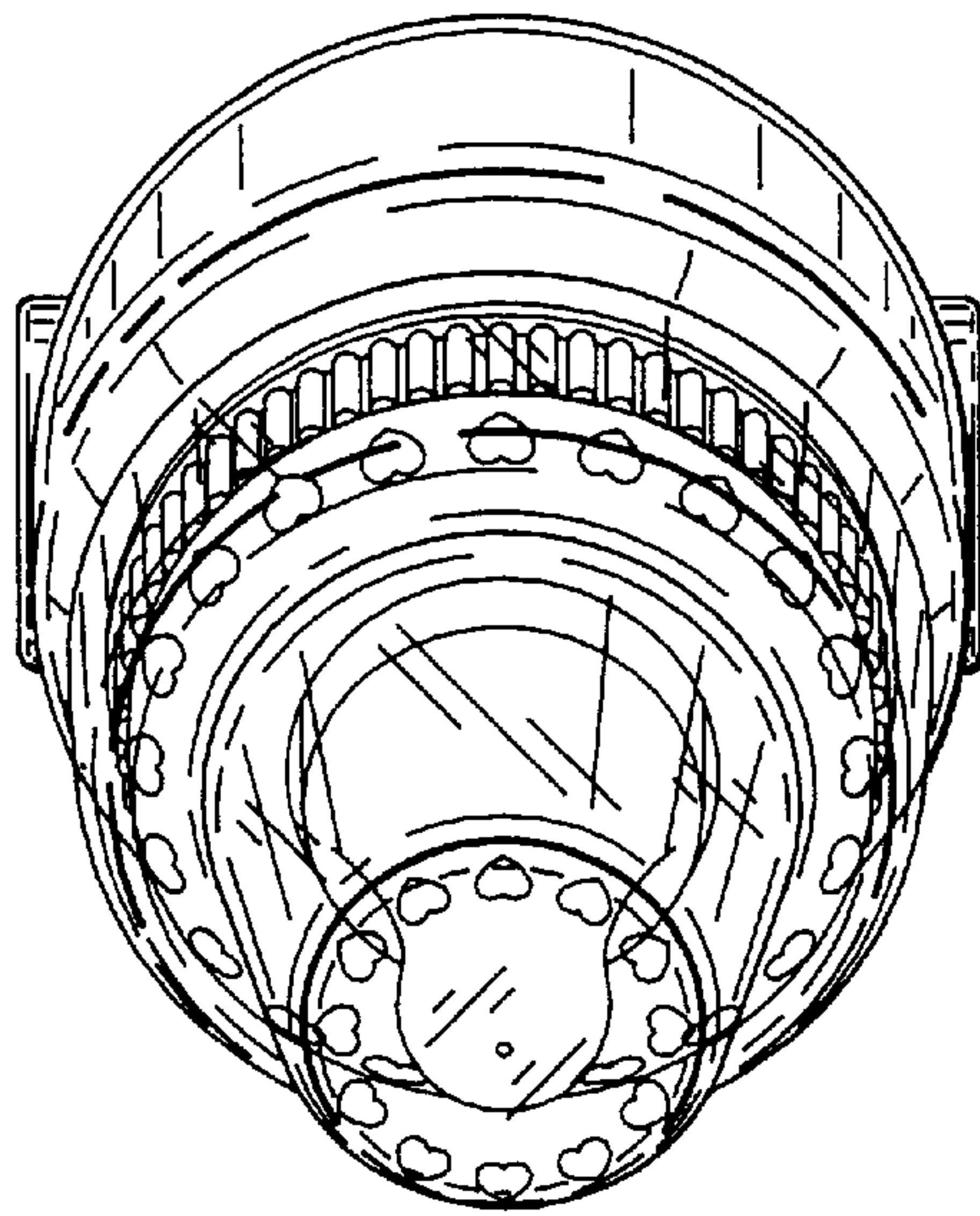


FIG. 5

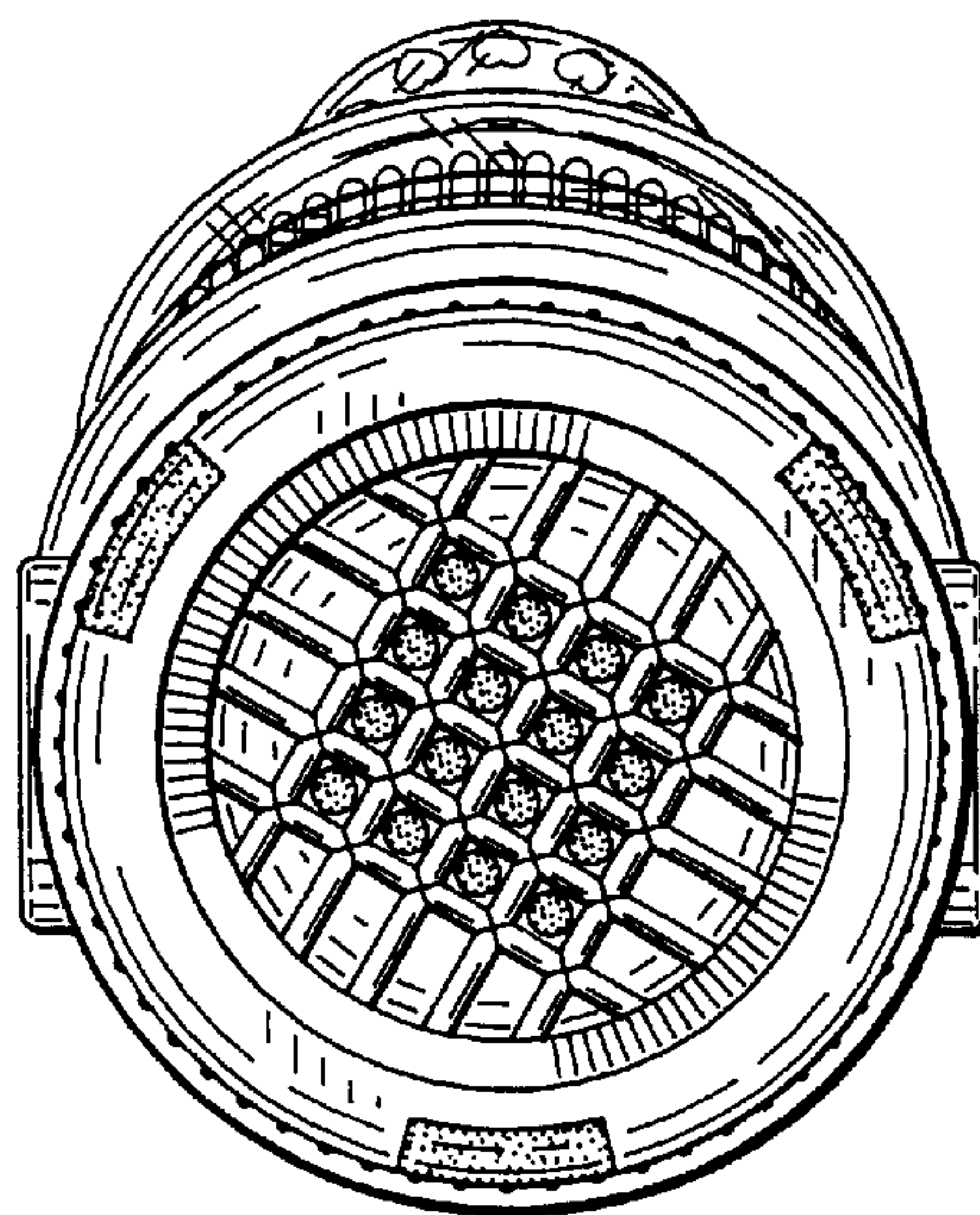


FIG. 6

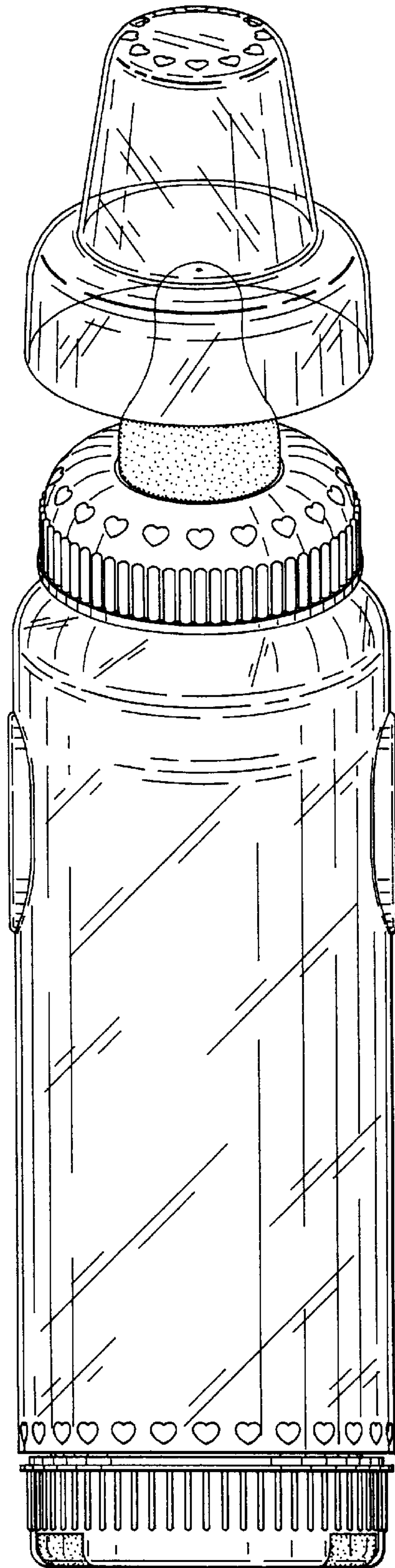


FIG. 7

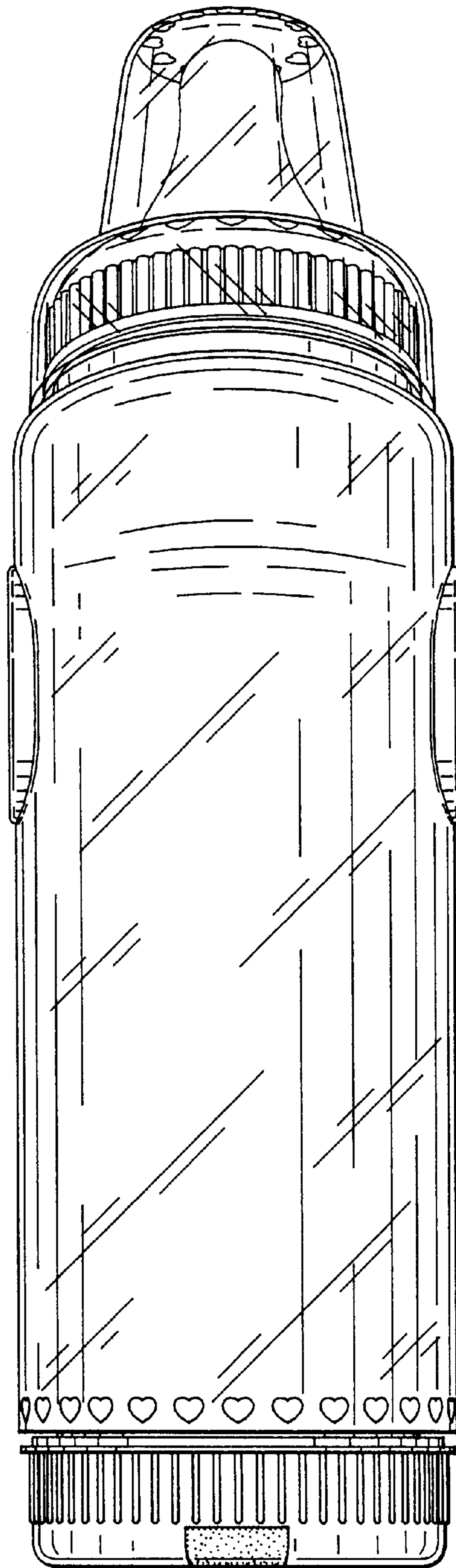


FIG. 8