



US00D428493S

United States Patent [19]
Radwanski et al.

[11] **Patent Number: Des. 428,493**
[45] **Date of Patent: ** Jul. 18, 2000**

[54] **ANALYTE METER**

[75] Inventors: **Ryszard Radwanski**, Morgan Hill; **Joel S. Douglas**, Los Altos Hills; **Charles C. Raney**, Scotts Valley; **John Ramierez**, Sunnyvale, all of Calif.

[73] Assignee: **Mercury Diagnostics, Inc.**, Scotts Valley, Calif.

[**] Term: **14 Years**

[21] Appl. No.: **29/099,015**

[22] Filed: **Jan. 11, 1999**

[51] **LOC (7) Cl. 24-01**

[52] **U.S. Cl. D24/186; D24/169; D10/81**

[58] **Field of Search D10/78, 81; D24/231, D24/232, 164, 169, 186, 216, 111, 108, 129; 436/518; 600/583; 422/68.1, 102, 56, 58, 61**

[56] **References Cited**

U.S. PATENT DOCUMENTS

- D. 323,893 2/1992 Arioka .
- D. 332,833 1/1993 Lauks et al. .

- D. 351,469 10/1994 Okamoto et al. .
- D. 371,198 6/1996 Savage et al. .
- D. 371,440 7/1996 Petersen D24/186
- D. 371,605 7/1996 Wong et al. .
- D. 378,612 3/1997 Clark et al. .

Primary Examiner—Antoine Duval Davis
Attorney, Agent, or Firm—Burns, Doane, Swecker & Mathis, LLP

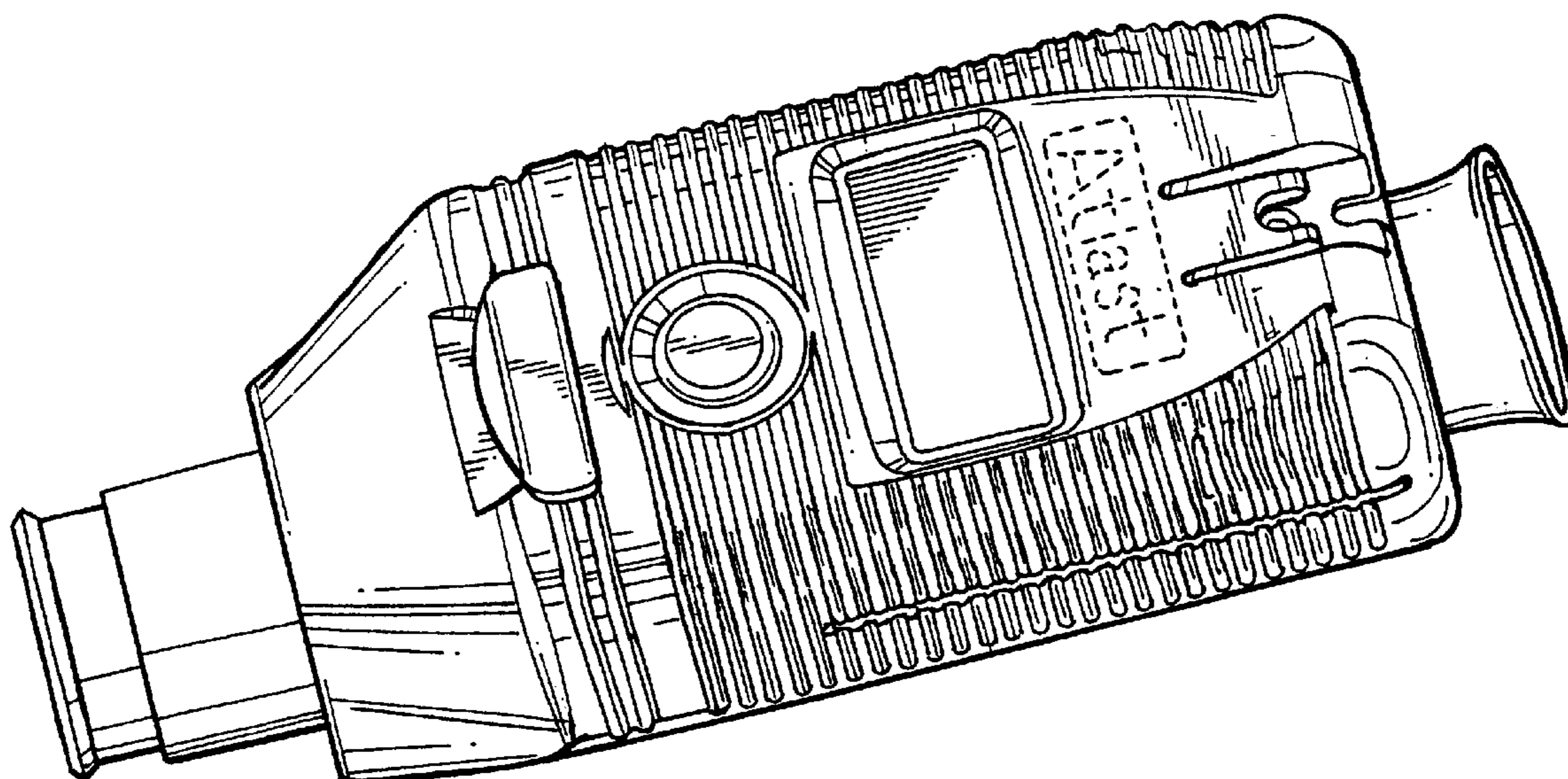
[57] **CLAIM**

The ornamental design for an analyte meter, as shown and described.

DESCRIPTION

FIG. 1 is a perspective view showing our new design; FIG. 2 is a right side view thereof; FIG. 3 is a left side view thereof; FIG. 4 is front plan view thereof; FIG. 5 is a bottom plan view thereof; FIG. 6 is a top plan view thereof; and, FIG. 7 is a back plan view thereof. The broken lines in FIGS. 1 and 4 showing the name/model of the analyte meter are for purposes of illustration only, and form no part of the claimed invention.

1 Claim, 3 Drawing Sheets



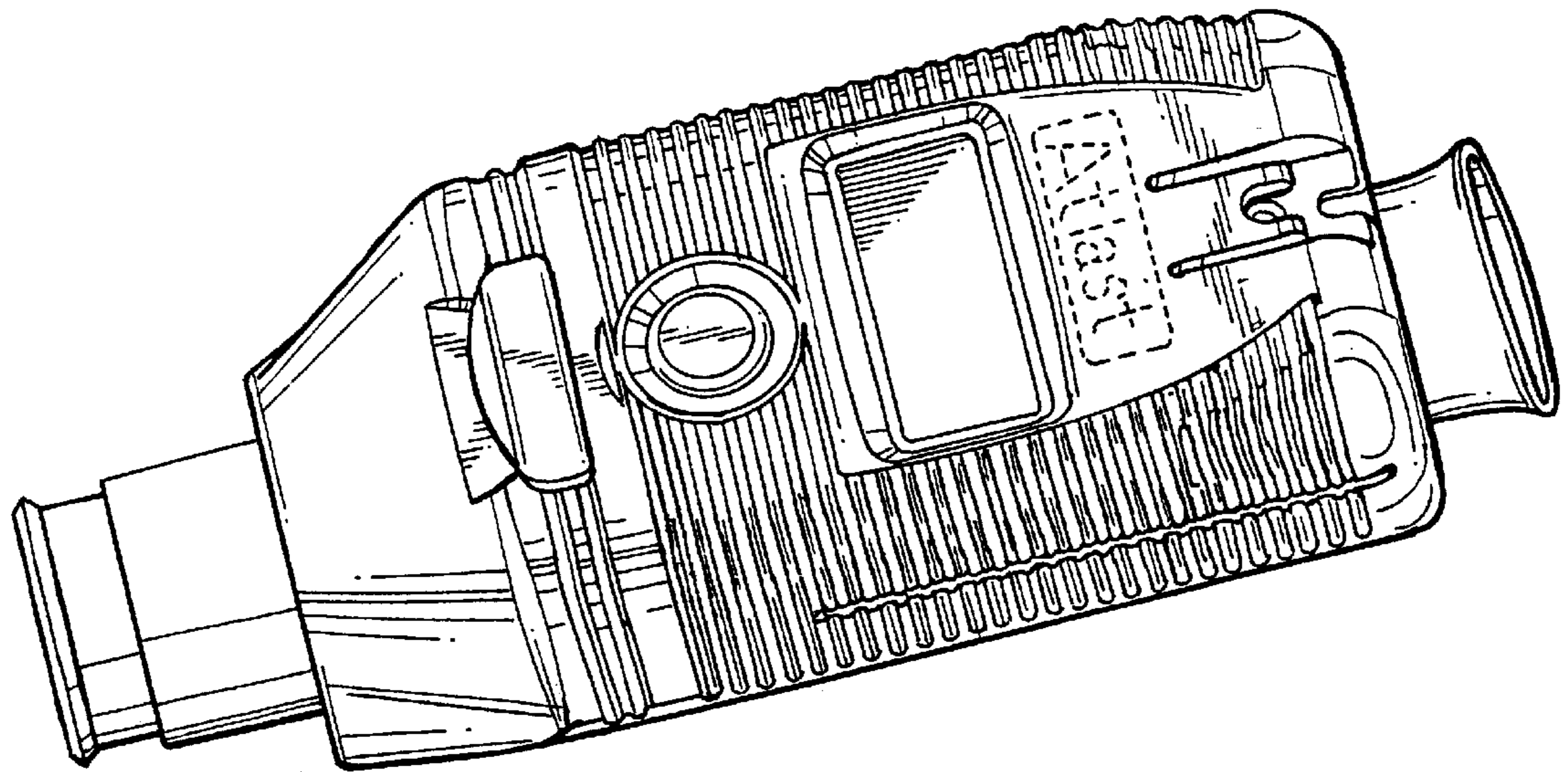


FIG. 1

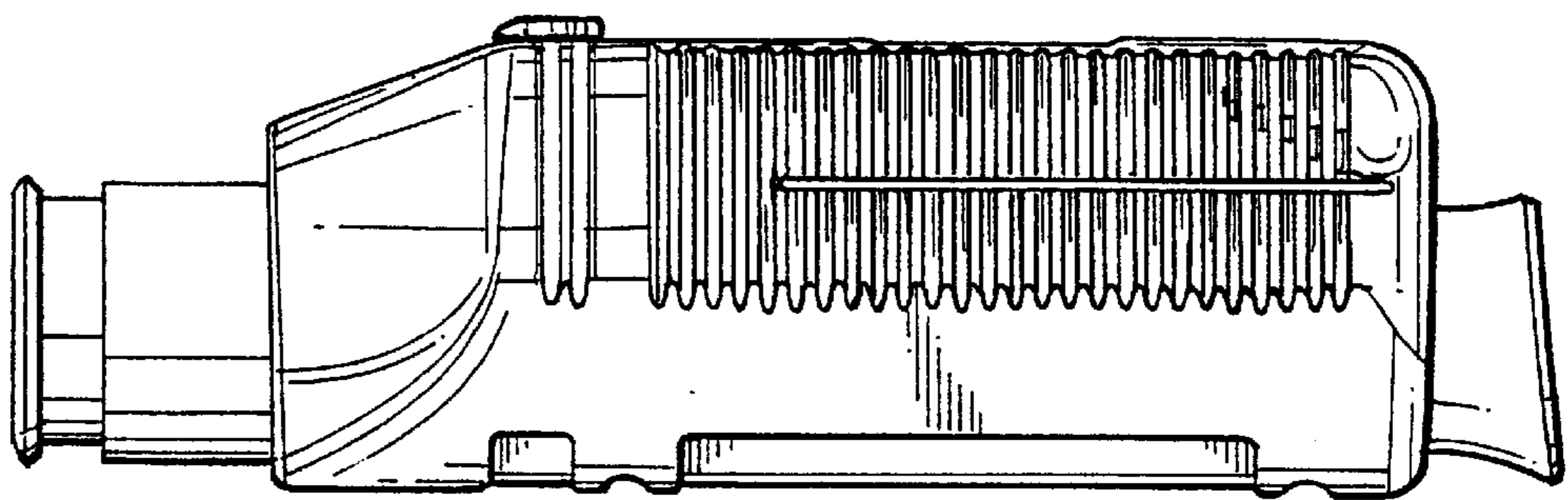


FIG. 2

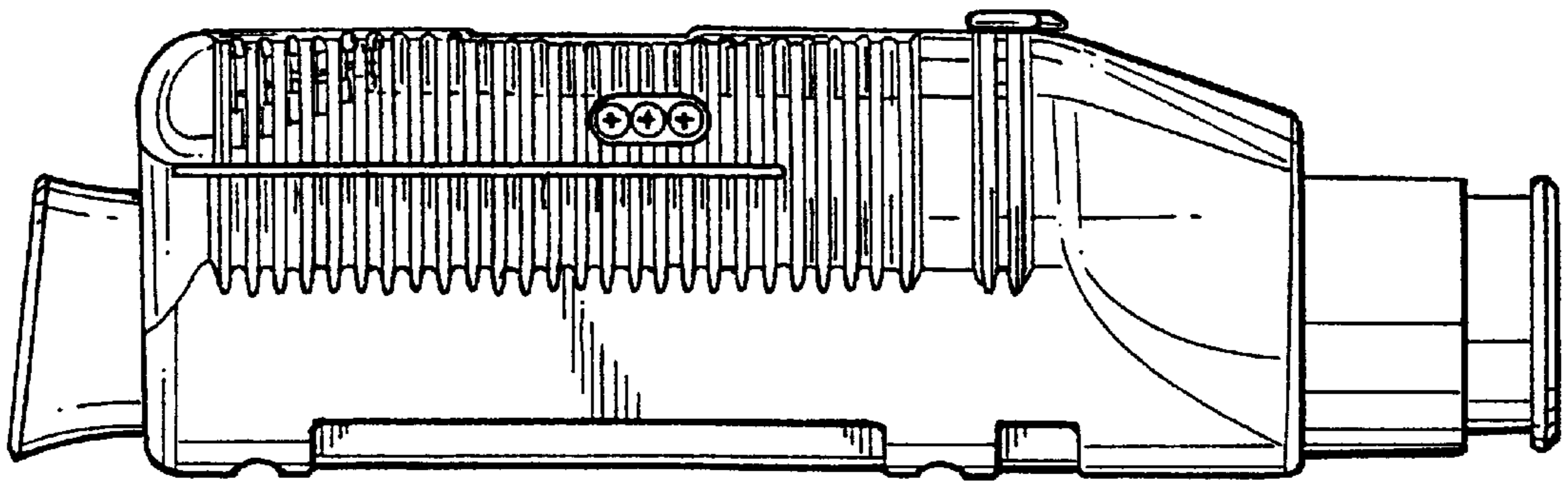


FIG. 3

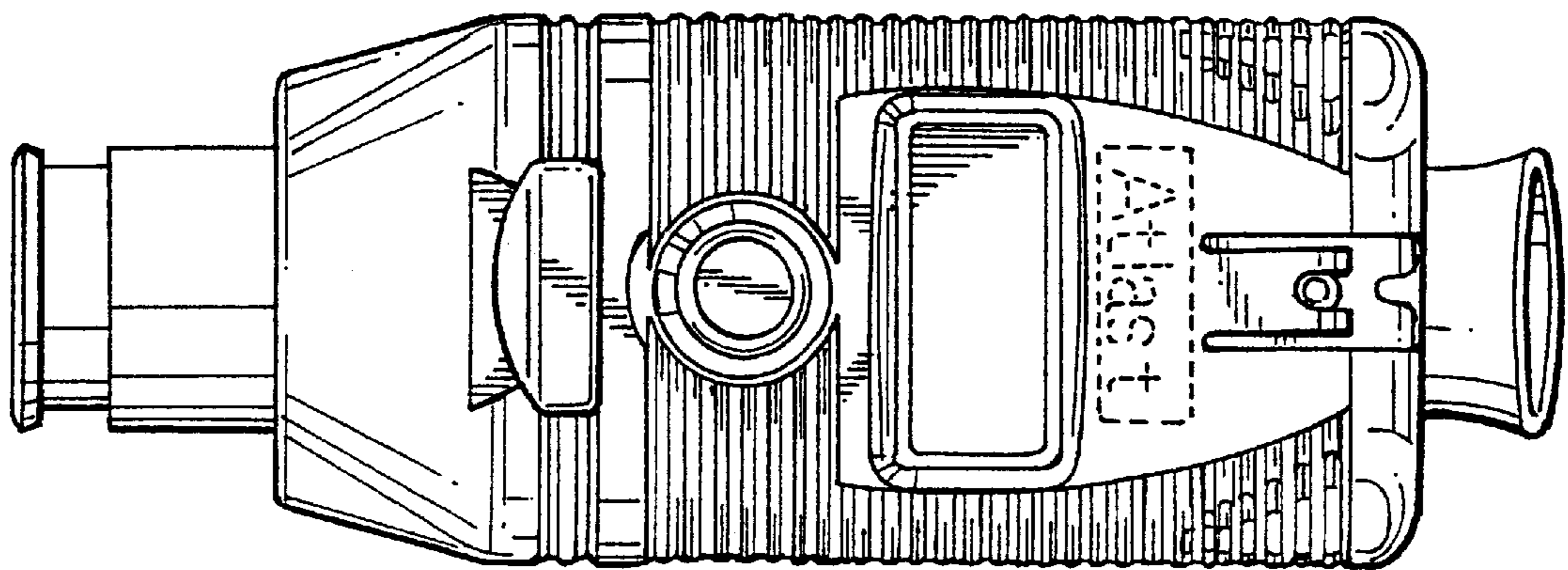


FIG. 4

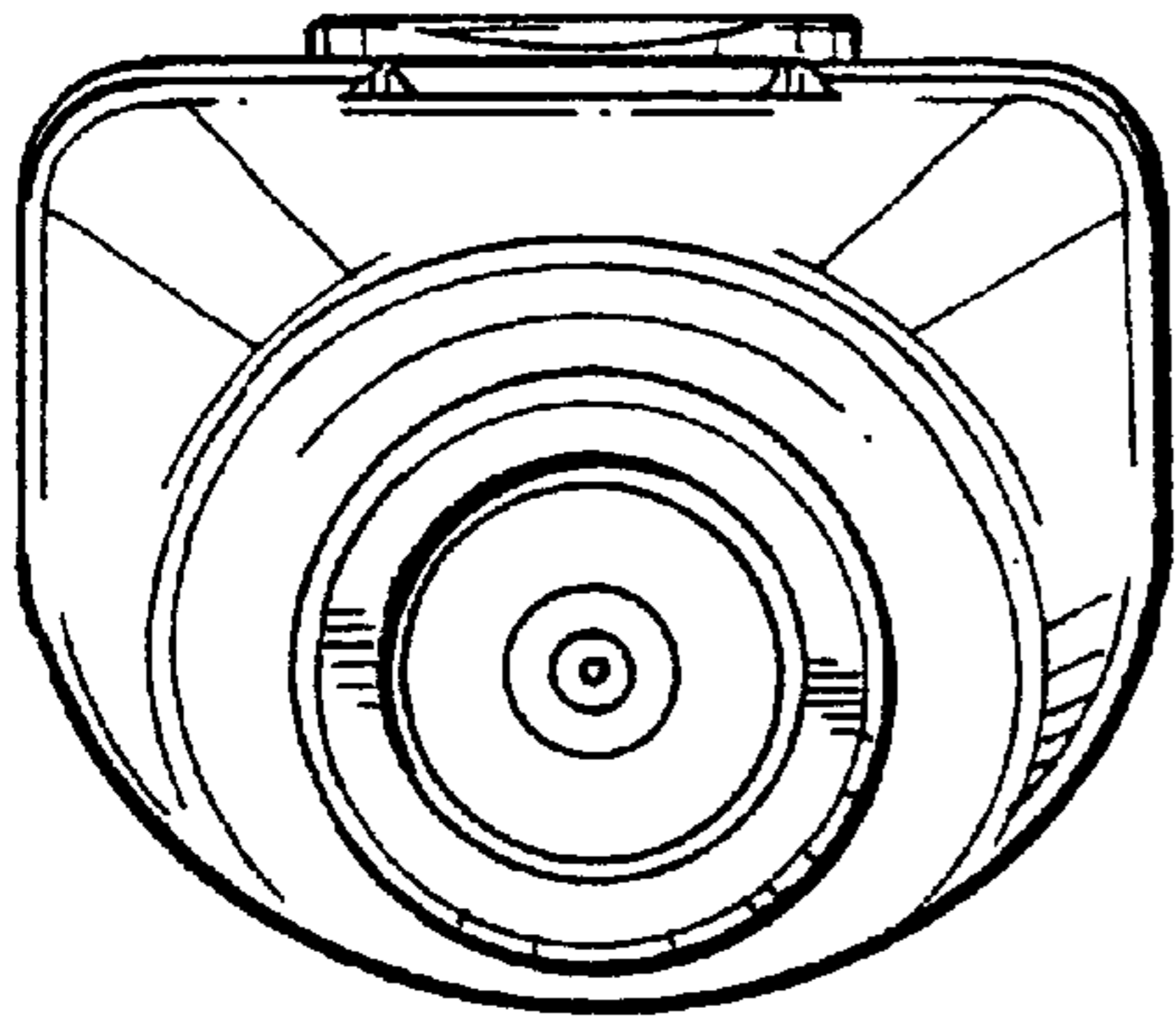


FIG. 5

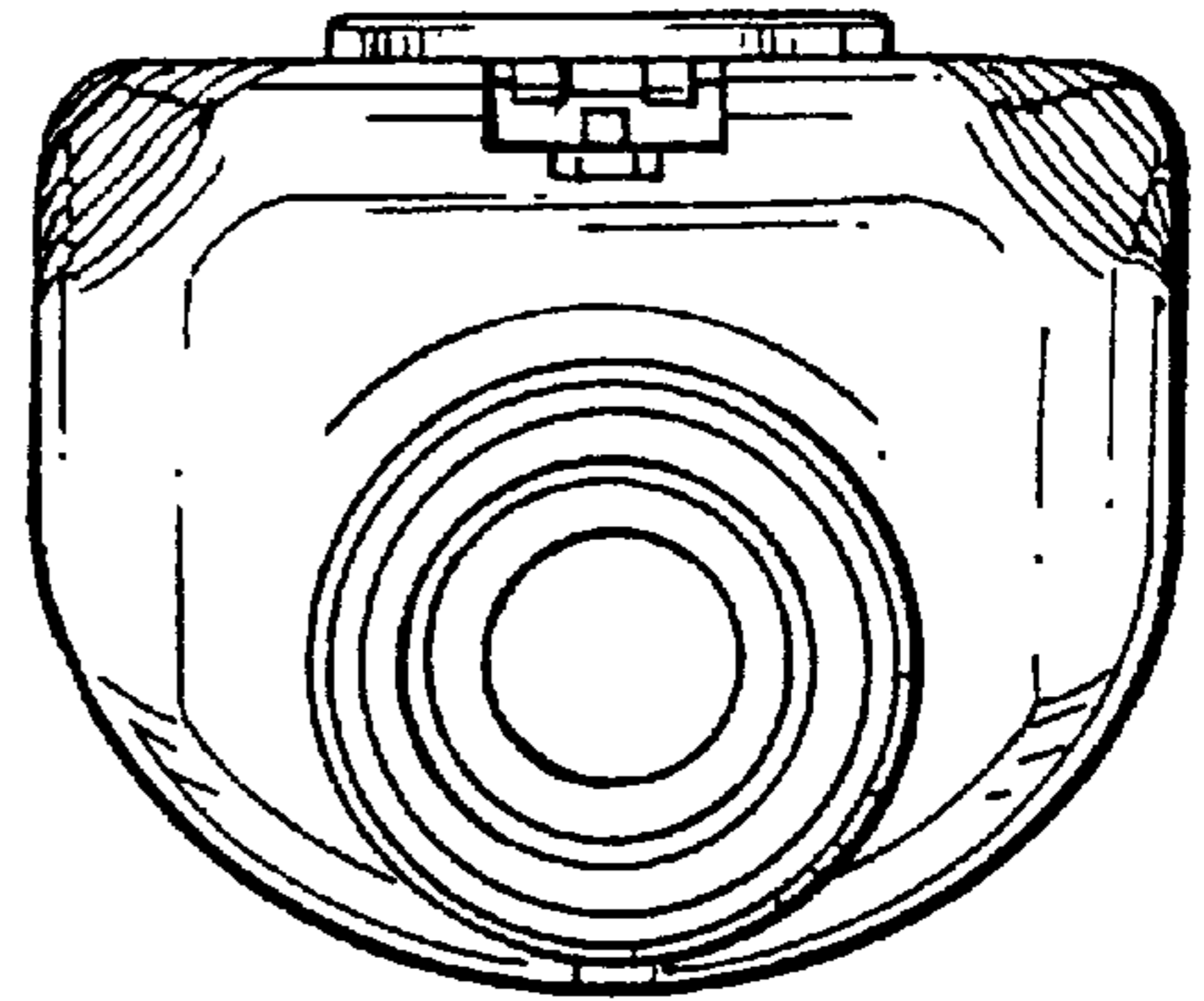


FIG. 6

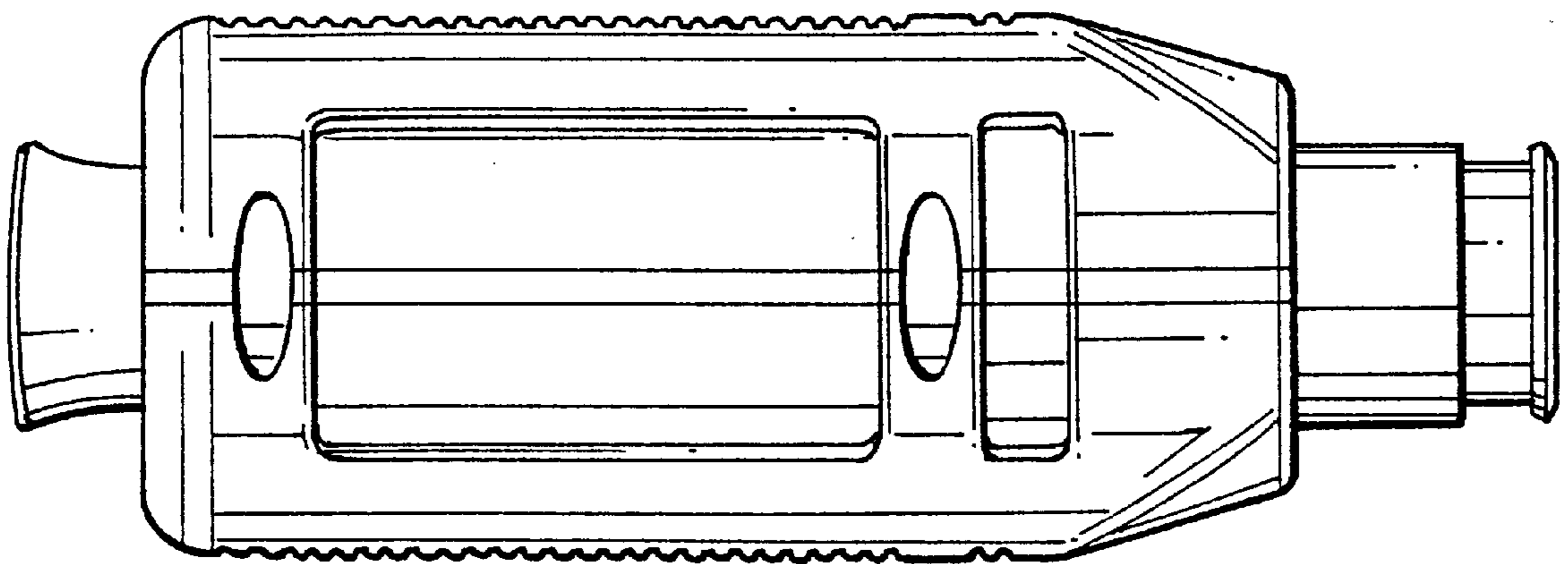


FIG. 7