



US00D428492S

United States Patent [19] Tam

[11] **Patent Number: Des. 428,492**

[45] **Date of Patent: ** Jul. 18, 2000**

[54] **INSTRUMENT FOR MEASURING
ELECTROCARDIOGRAM**

[75] Inventor: **Sai Ying Tam**, Kowloon, The Hong Kong Special Administrative Region of the People's Republic of China

[73] Assignee: **BHS International, Inc.**, Crofton, Md.

[**] Term: **14 Years**

[21] Appl. No.: **29/105,897**

[22] Filed: **Jun. 2, 1999**

[51] **LOC (7) Cl.** **24-01**

[52] **U.S. Cl.** **D24/167**

[58] **Field of Search** D24/167; 600/523,
600/521, 509, 513, 516, 514; 128/639,
696, 710

[56] **References Cited**

U.S. PATENT DOCUMENTS

D. 228,471	9/1973	Harper	D24/167
D. 244,155	4/1977	Smith et al.	D24/167
D. 267,957	2/1983	Jackson	D18/9
D. 291,244	8/1987	Jones et al.	D24/167
4,023,276	5/1977	Furukawa et al.	33/1 C
4,596,256	6/1986	Ascher et al.	128/710
4,809,705	3/1989	Ascher	128/710
5,410,473	4/1995	Kaneko et al.	128/696
5,623,926	4/1997	Weiss	128/639

Primary Examiner—Stella Reid

Attorney, Agent, or Firm—Smith, Gambrell & Russell, LLP

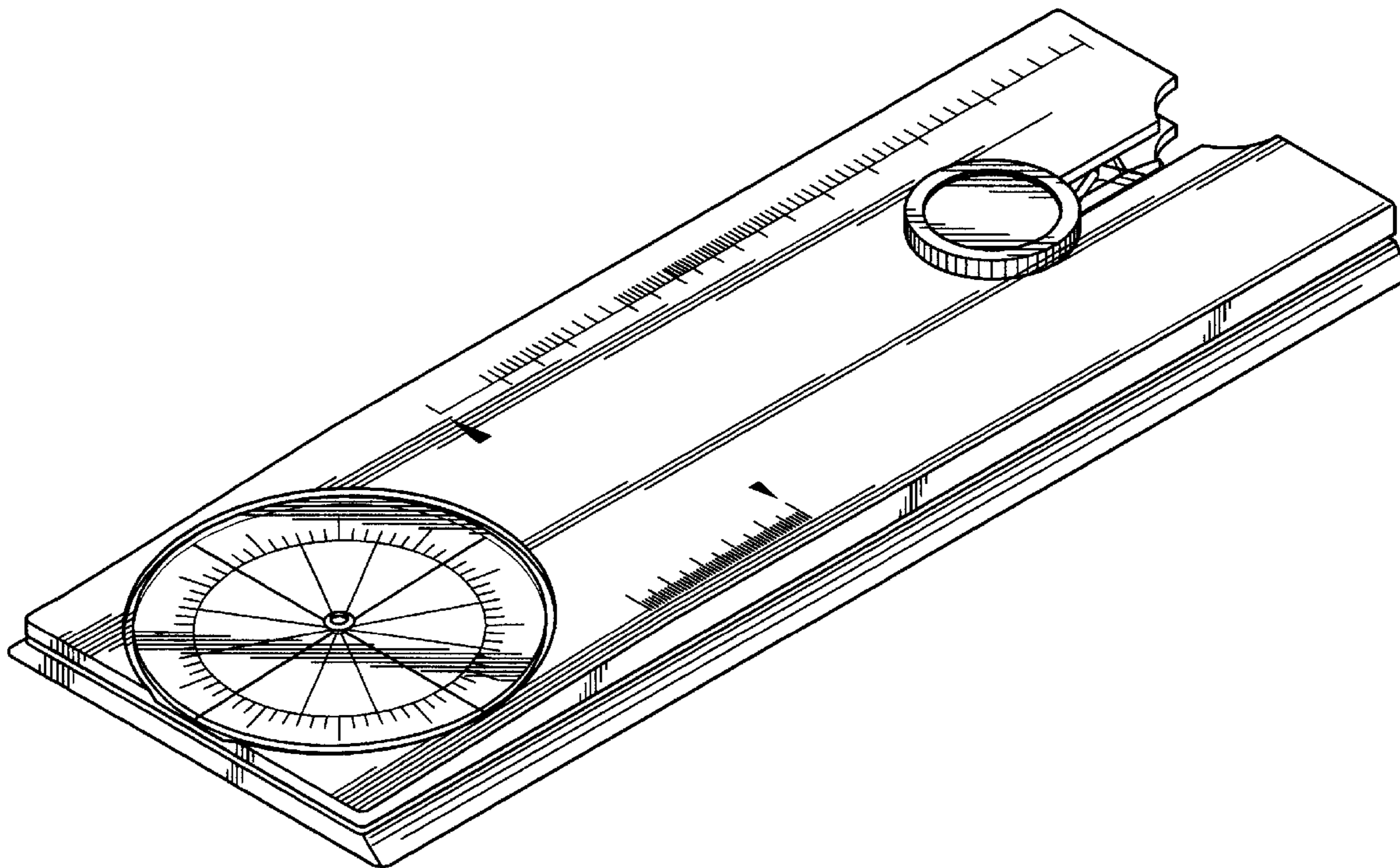
[57] **CLAIM**

The ornamental design for an instrument for measuring electrocardiogram, as shown and described.

DESCRIPTION

FIG. 1 is a front perspective view of an instrument for measuring electrocardiogram showing my new design;
 FIG. 2 is a front perspective view with measuring unit separated;
 FIG. 3 is a front perspective view with measuring unit separated and extended;
 FIG. 4 is a front view of FIG. 1;
 FIG. 5 is a left side view of FIG. 1;
 FIG. 6 is a top plan view of FIG. 1;
 FIG. 7 is a rear view of FIG. 1;
 FIG. 8 is a right side view of FIG. 1;
 FIG. 9 is a bottom plan view of FIG. 1;
 FIG. 10 is a front view of FIG. 2 with measuring unit separated;
 FIG. 11 is a top plan view of FIG. 2 with measuring unit separated;
 FIG. 12 is a rear view of FIG. 2 with measuring unit separated;
 FIG. 13 is a bottom plan view of FIG. 2 with measuring unit separated.
 FIG. 14 is a left side view of FIG. 2 with measuring unit separated; and,
 FIG. 15 is a right side view of FIG. 2 with measuring unit separated.

1 Claim, 8 Drawing Sheets



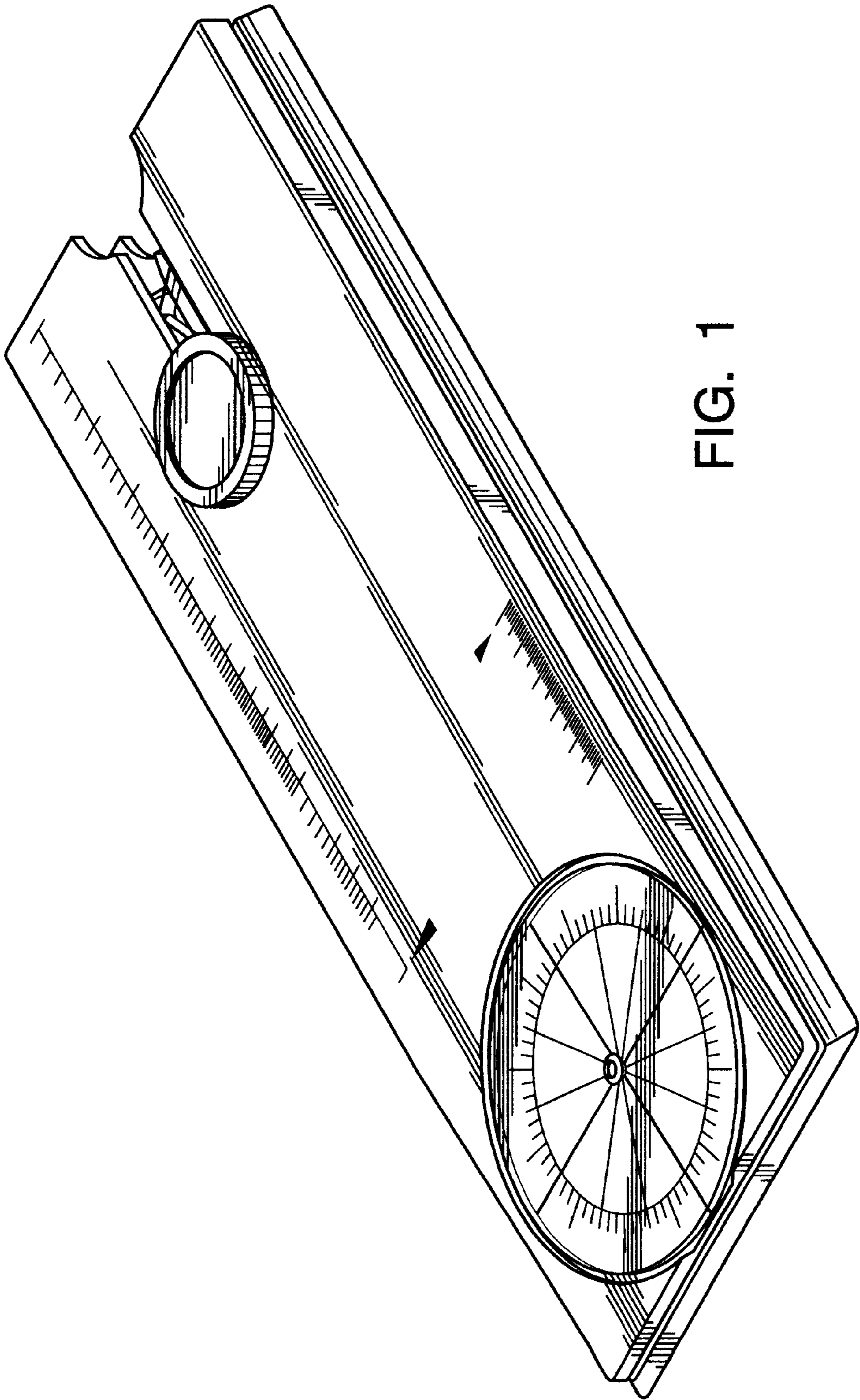


FIG. 1

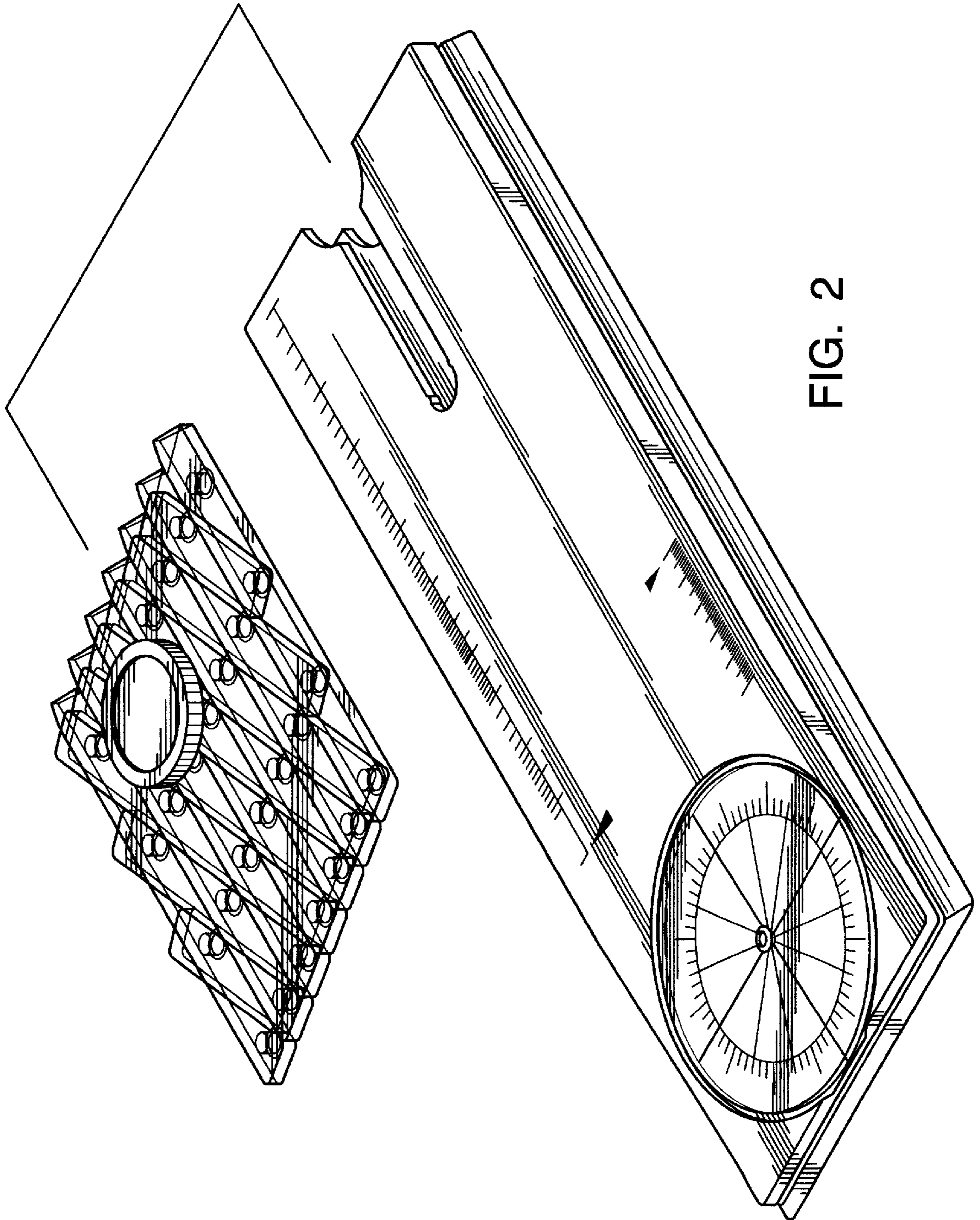


FIG. 2

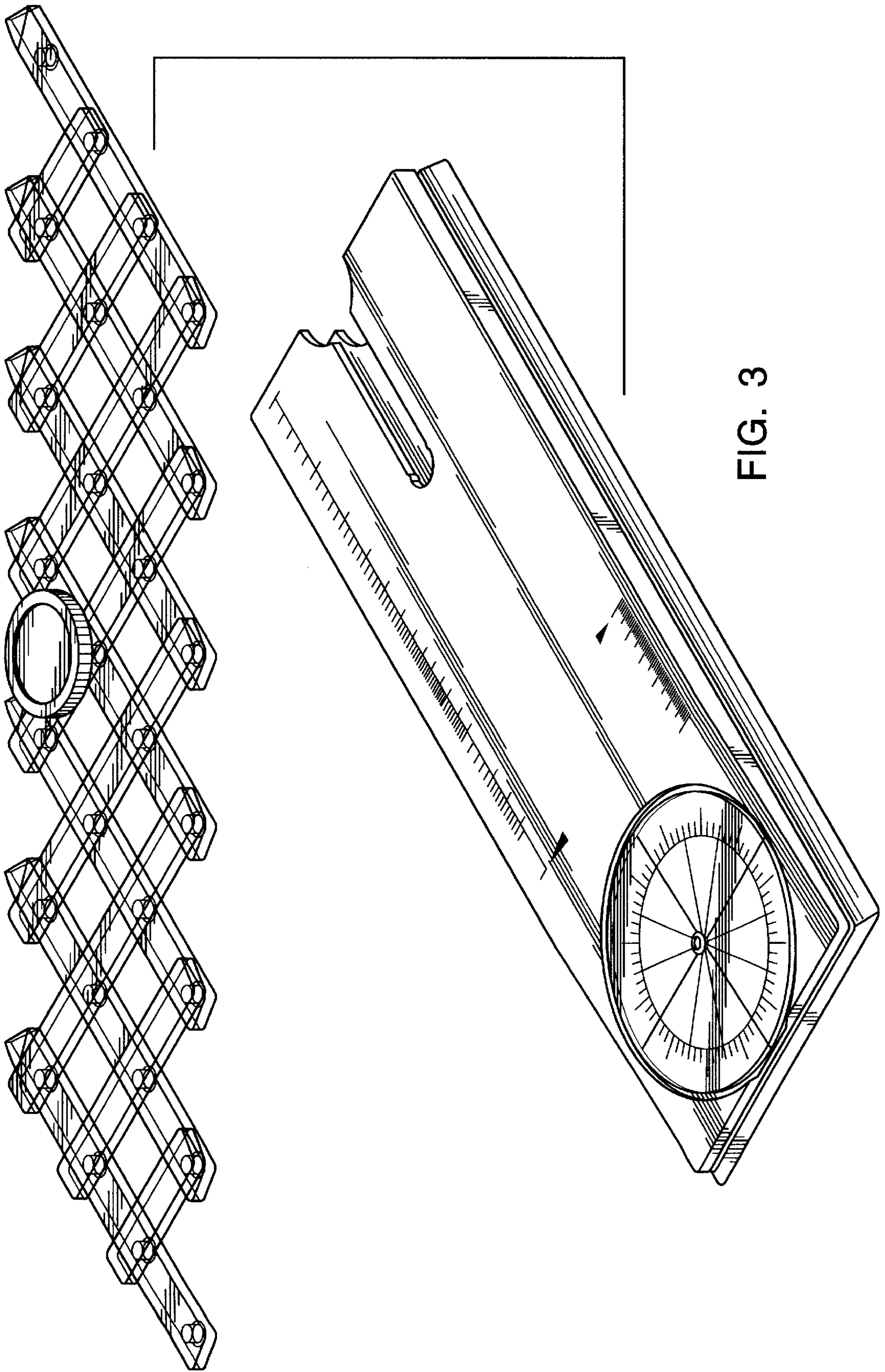


FIG. 3

FIG. 6

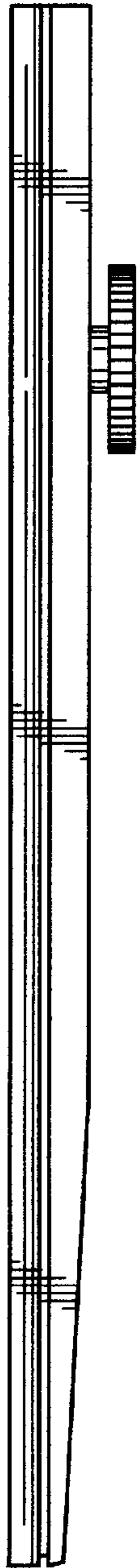
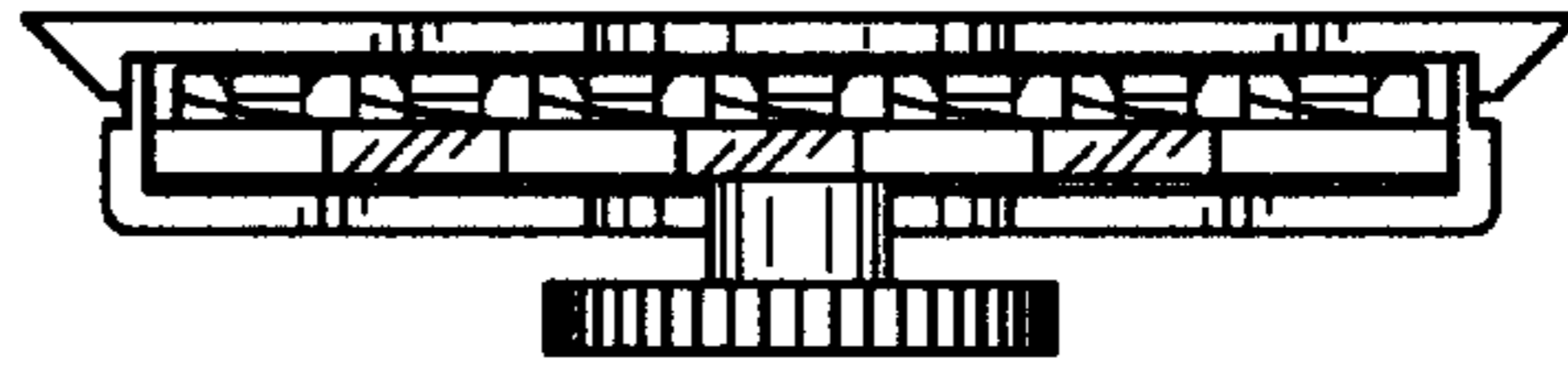


FIG. 5

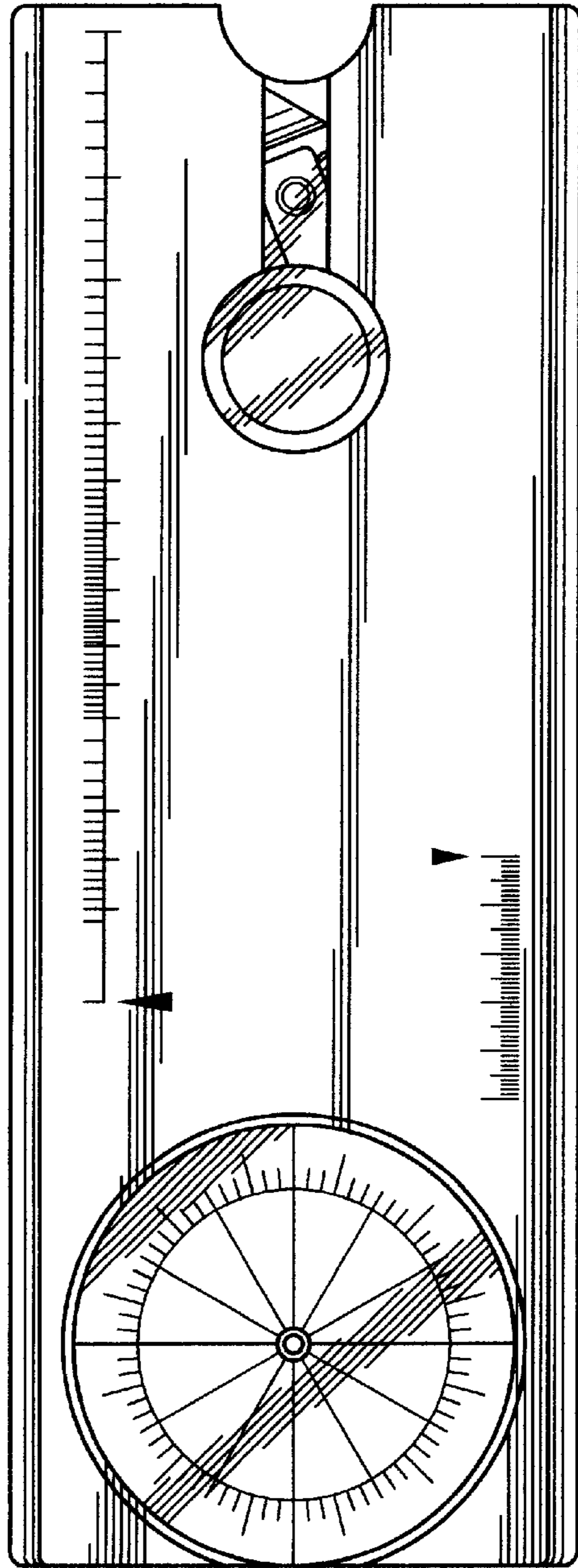


FIG. 4

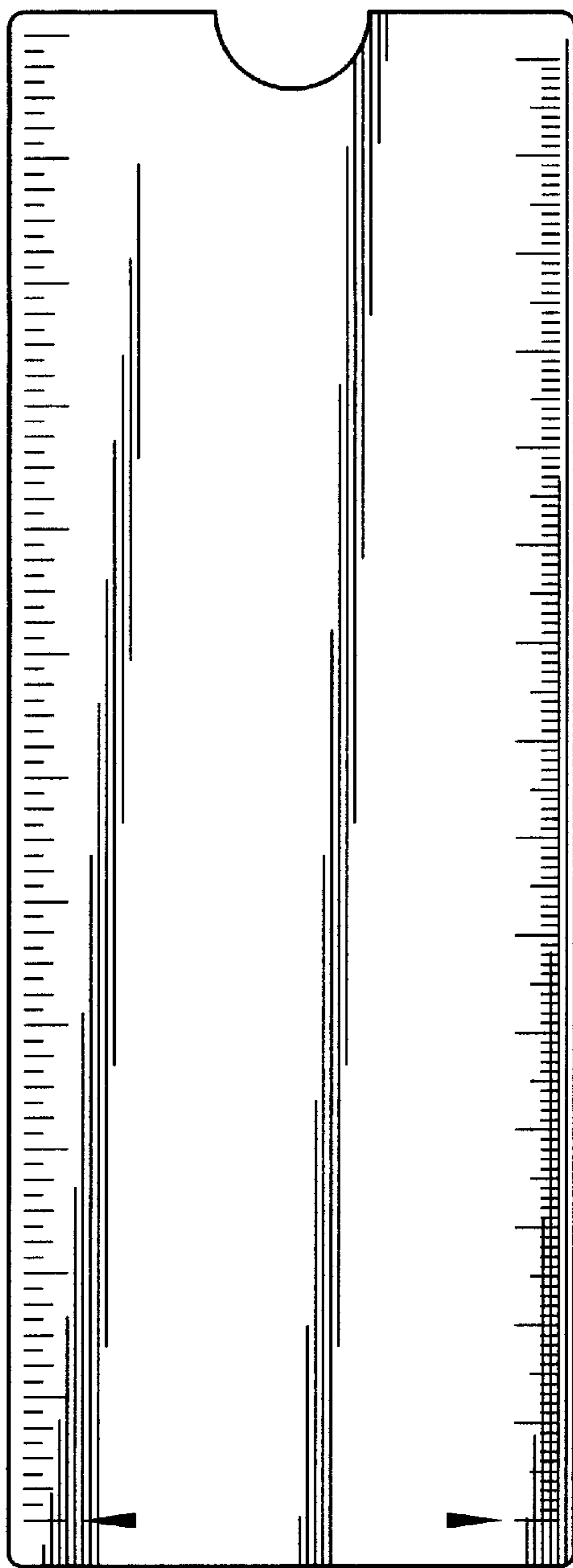


FIG. 7



FIG. 8



FIG. 9

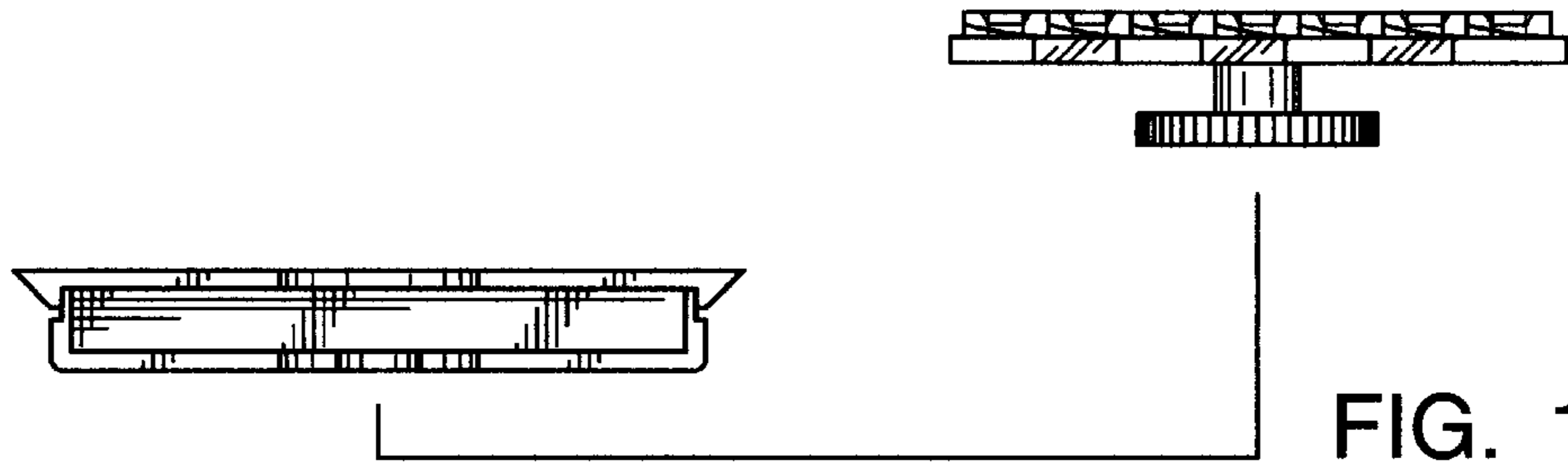


FIG. 11

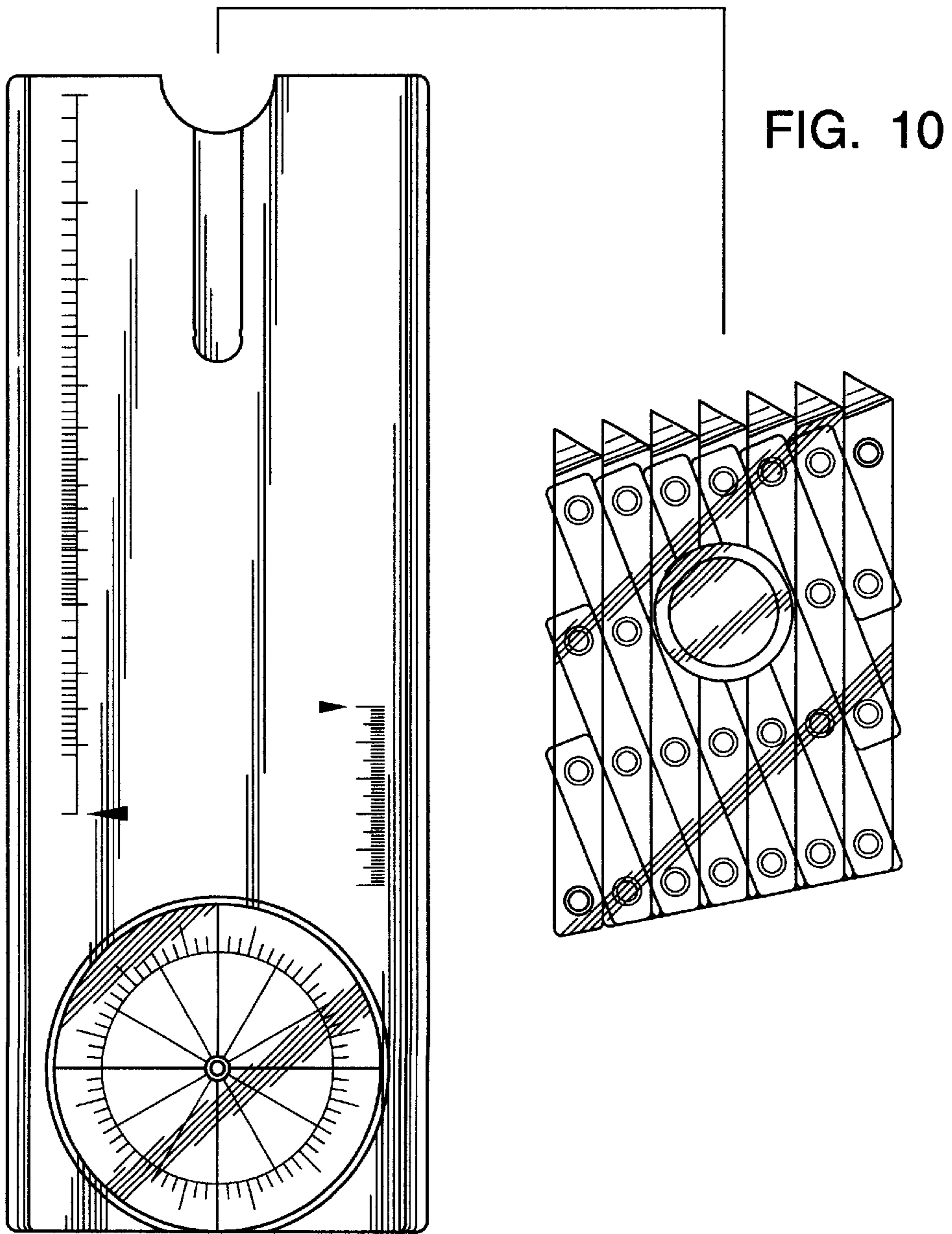


FIG. 10

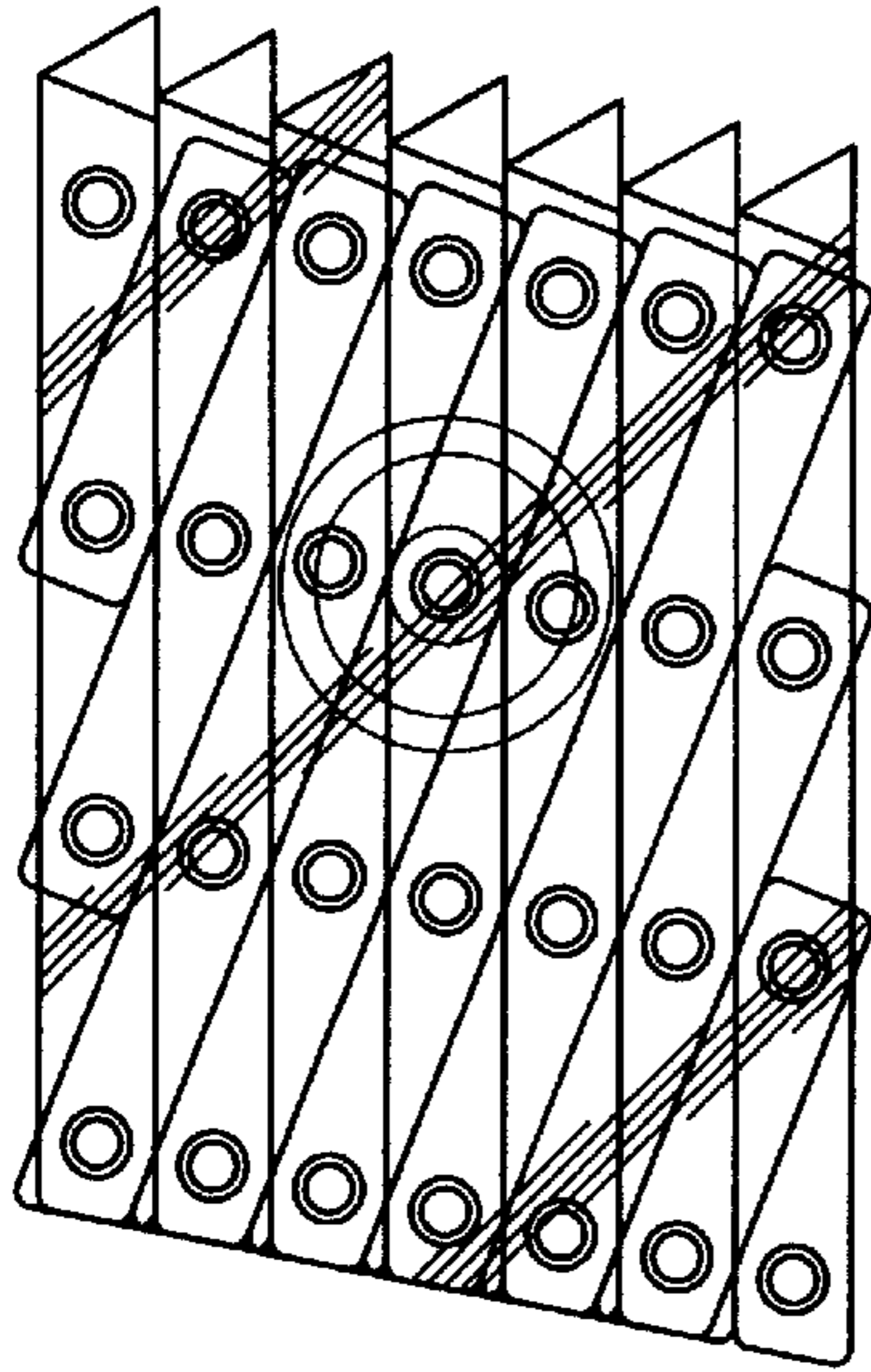


FIG. 12

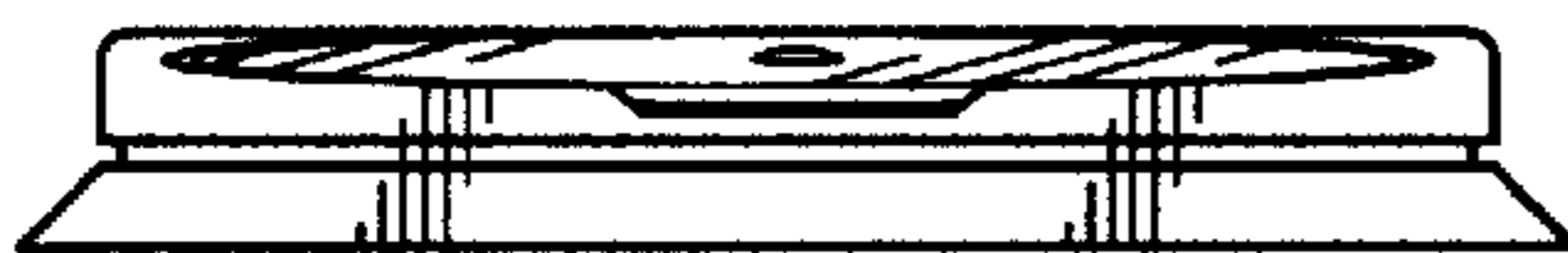
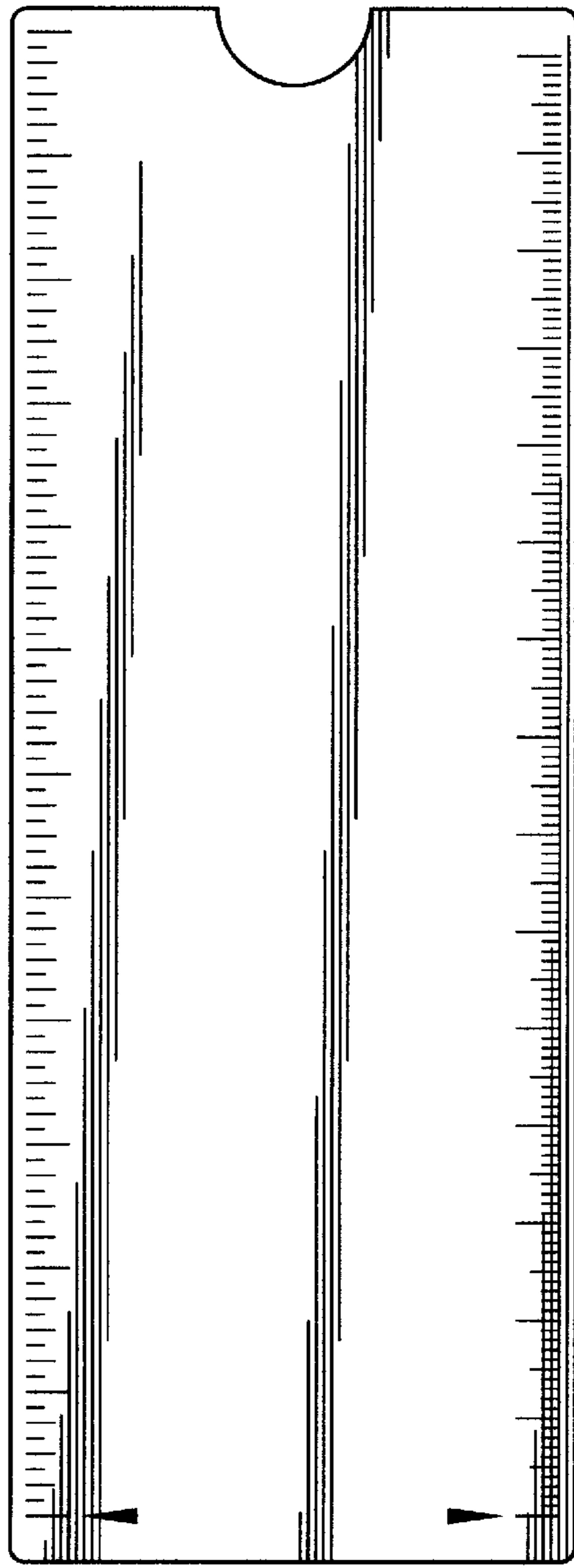


FIG. 13



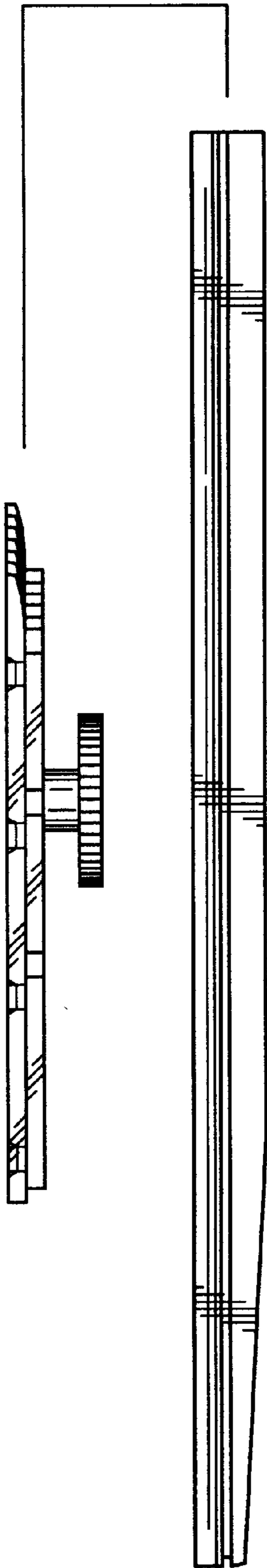


FIG. 14

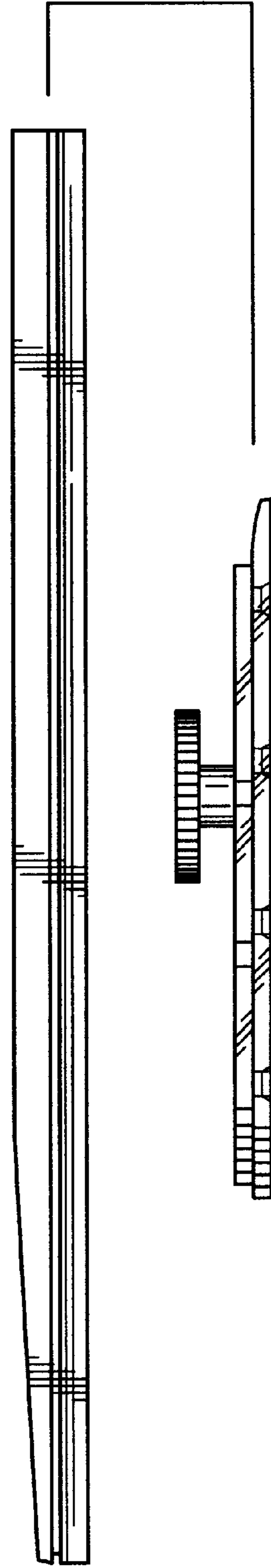


FIG. 15