



US00D428490S

**United States Patent** [19]  
**Postlethwaite**

[11] **Patent Number: Des. 428,490**  
[45] **Date of Patent: \*\* Jul. 18, 2000**

- [54] **C-ARM FOR A VIDEO FLUOROSCOPY DEVICE**
- [75] Inventor: **John R. Postlethwaite**, Palm Harbor, Fla.
- [73] Assignee: **VF Works, Inc**, Palm Harbor, Fla.
- [\*\*] Term: **14 Years**
- [21] Appl. No.: **29/093,359**
- [22] Filed: **Sep. 9, 1998**
- [51] **LOC (7) Cl.** ..... **24-01**
- [52] **U.S. Cl.** ..... **D24/158**
- [58] **Field of Search** ..... D24/158, 159;  
378/193, 195, 196, 197, 198

- 4,887,287 12/1989 Cobben ..... 378/198
- 5,050,204 9/1991 Siczek et al. .... 378/197
- 5,583,909 12/1996 Hanover ..... 378/197
- 5,802,719 9/1998 O'Farrell, Jr. et al. .... 29/897.35

*Primary Examiner*—Stella Reid  
*Attorney, Agent, or Firm*—Larson & Larson, P.A.; James E. Larson

[57] **CLAIM**

The ornamental design for a C-arm for a video fluoroscopy device, as shown and described.

**DESCRIPTION**

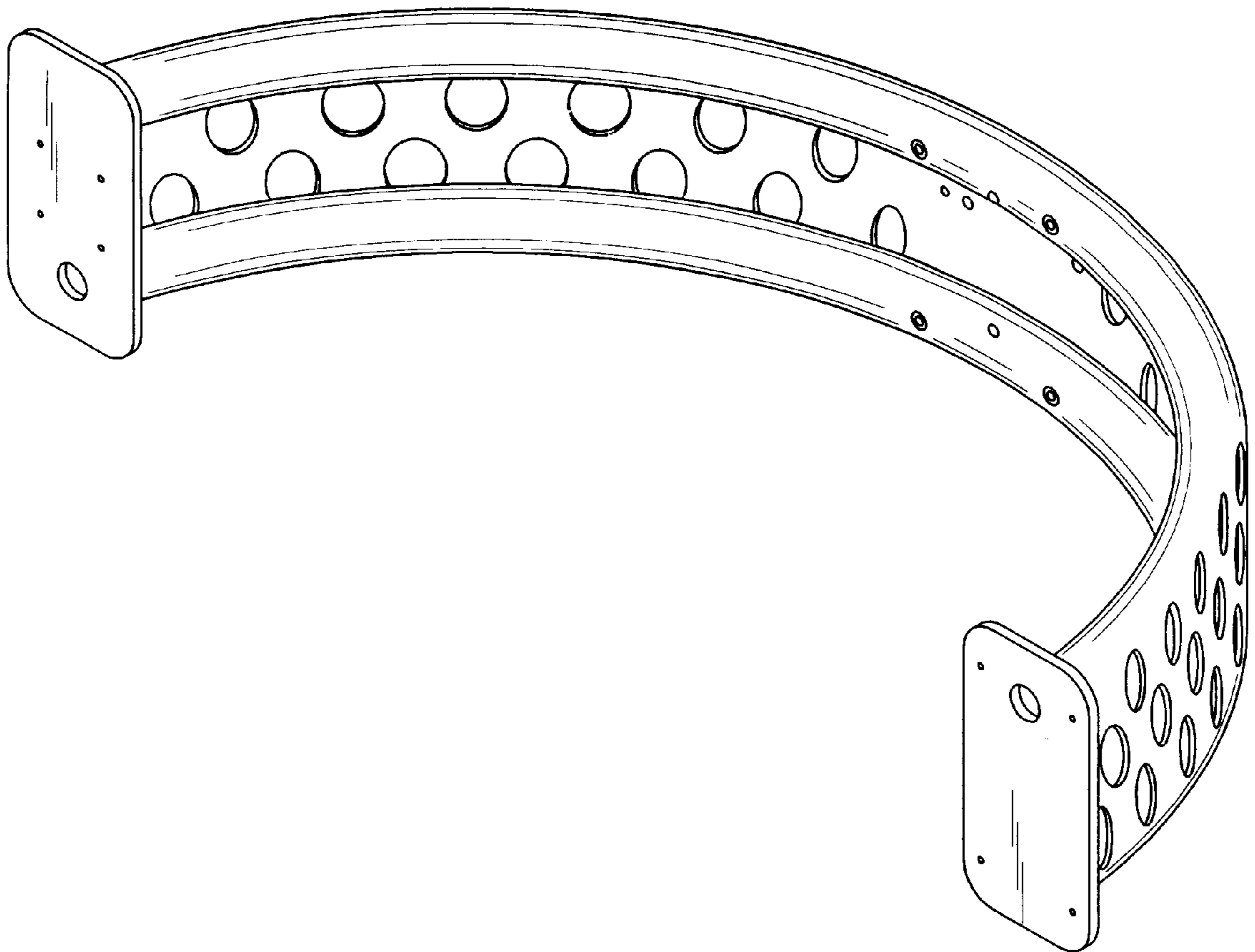
FIG. 1 is a perspective view of a C-arm for a video fluoroscopy device, showing my new design; FIG. 2 is a top plan view thereof; FIG. 3 is a front elevational view thereof; FIG. 4 is a bottom plan view thereof; FIG. 5 is a left side elevational view thereof; FIG. 6 is a right side elevational view thereof; and, FIG. 7 is a back elevational view thereof.

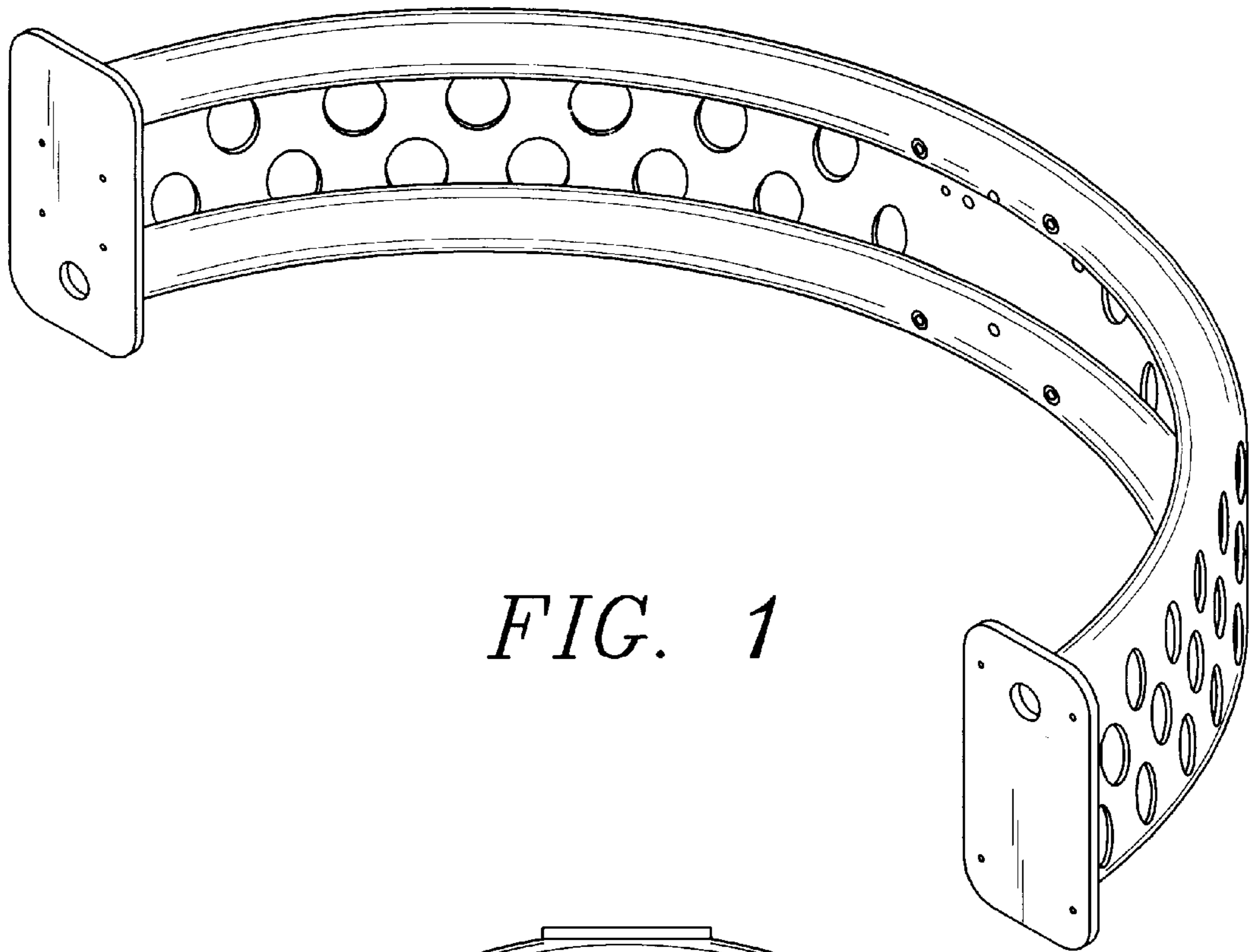
[56] **References Cited**

**U.S. PATENT DOCUMENTS**

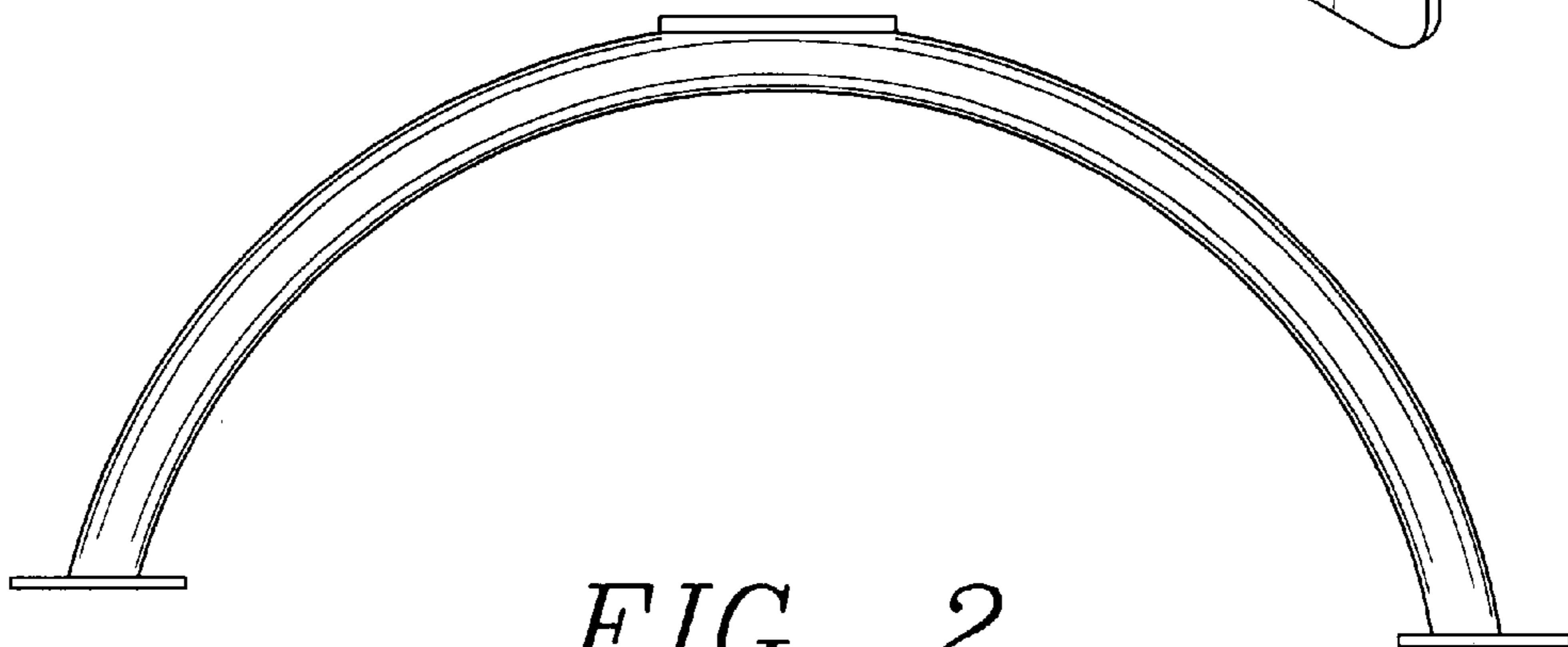
- D. 213,409 2/1969 Vedder ..... D24/158
- D. 378,133 2/1997 Murakami et al. .... D24/158
- D. 397,440 8/1998 Baars ..... D24/158

**1 Claim, 2 Drawing Sheets**

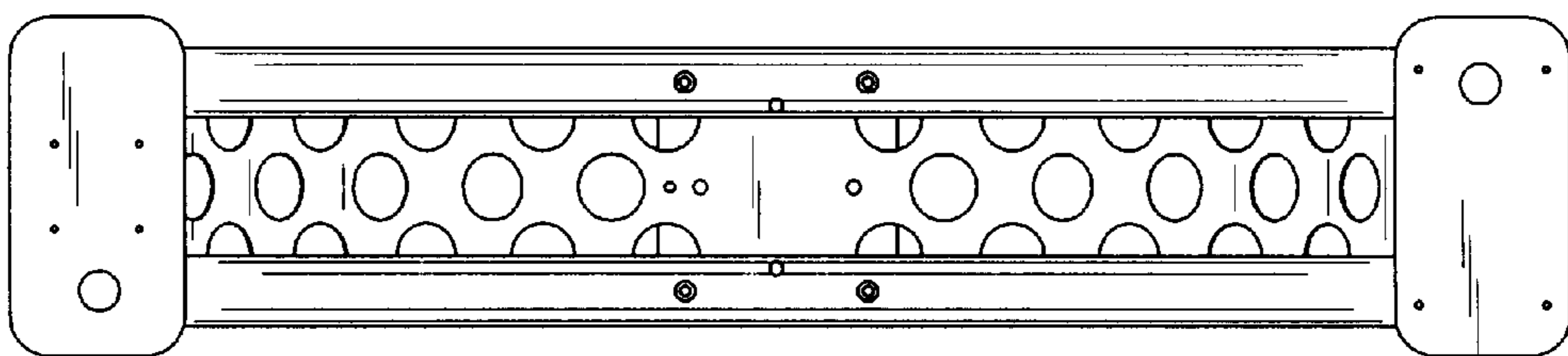




*FIG. 1*



*FIG. 2*



*FIG. 3*

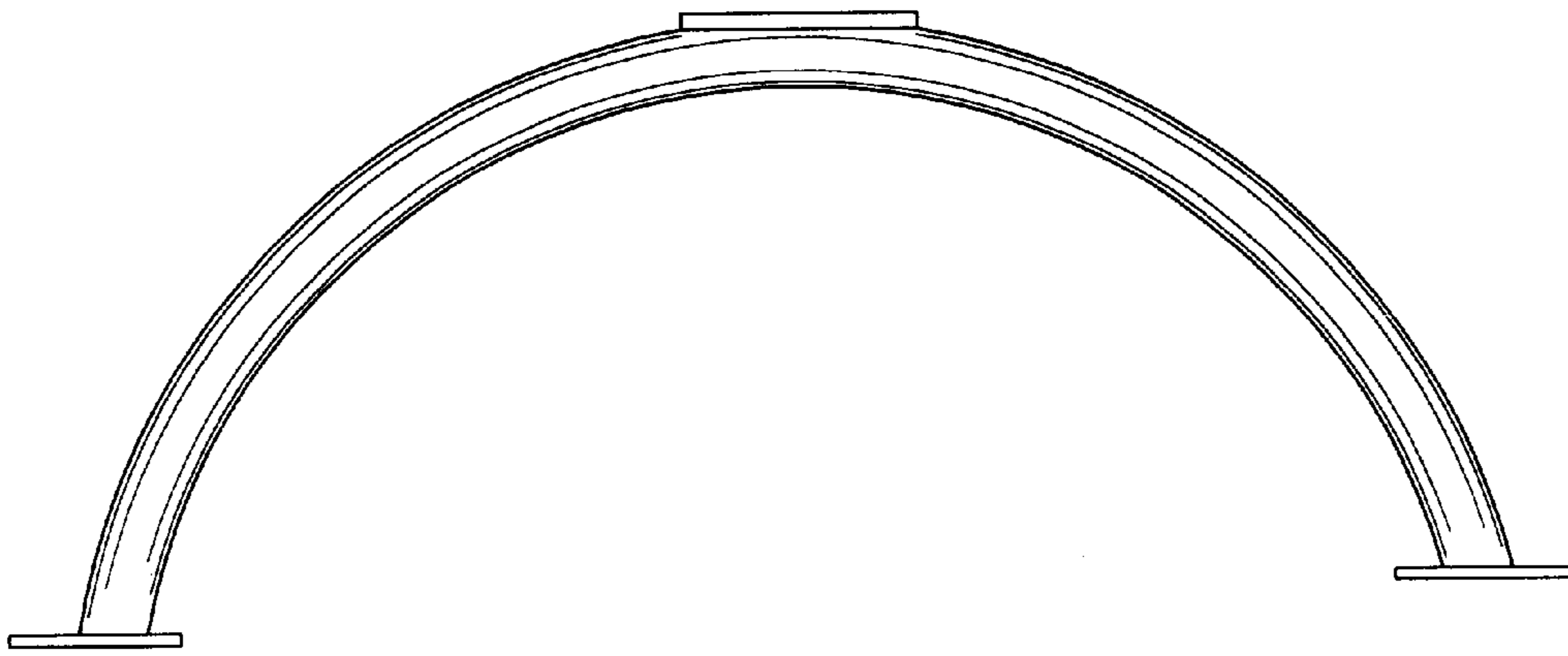


FIG. 4

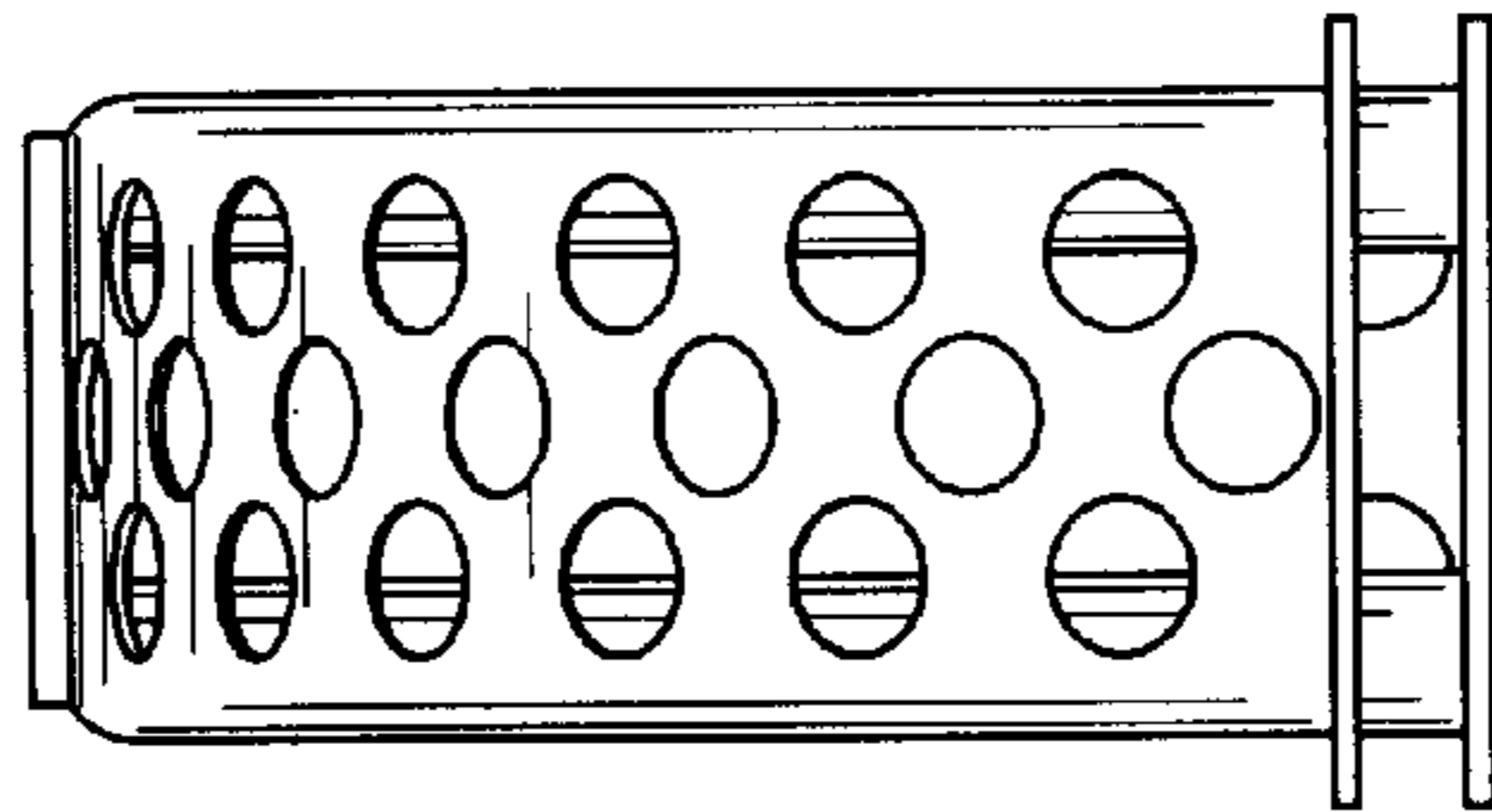


FIG. 5

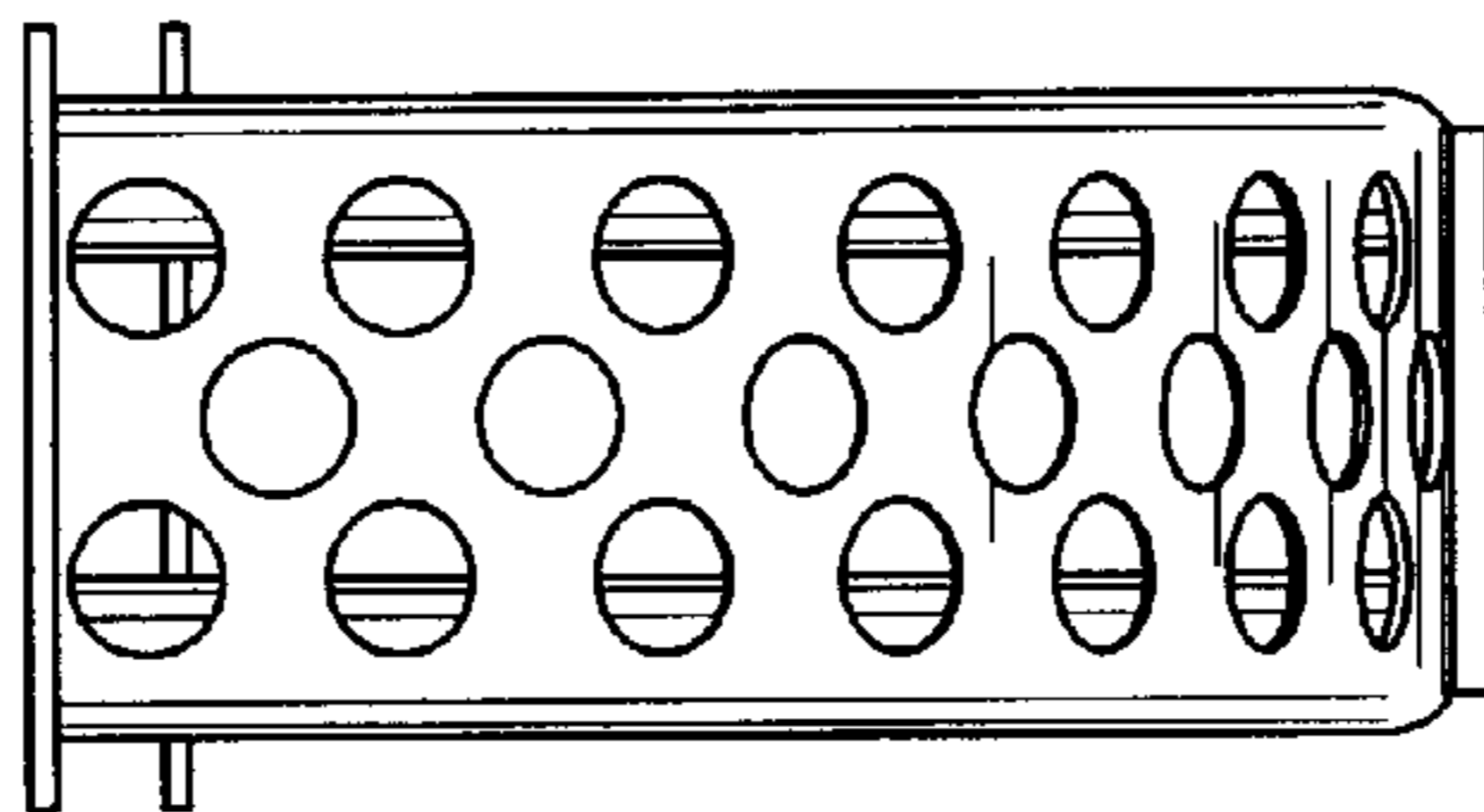


FIG. 6

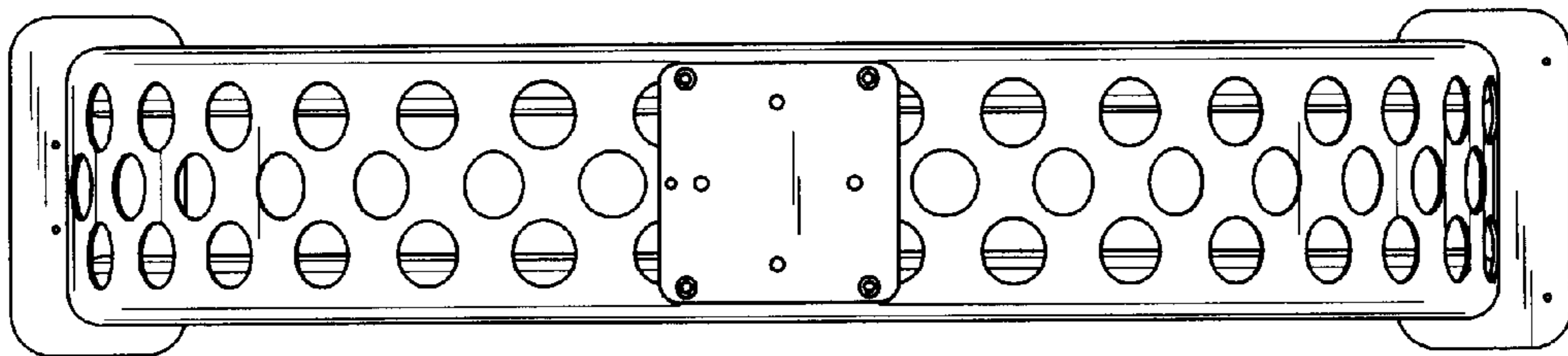


FIG. 7