



US00D428487S

United States Patent [19]

[11] **Patent Number: Des. 428,487**

Renner et al.

[45] **Date of Patent: ** Jul. 18, 2000**

[54] **ENDOSCOPE**

[56] **References Cited**

[75] Inventors: **Klaus Renner; Klaus M Irion**, both of Liptingen; **Horst Dittrich**, Immendingen; **Juergen Rudischhauser**, Tuttlingen; **Rudi Klumpp**, Tuttlingen; **André Ehrhardt**, Tuttlingen, all of Germany

U.S. PATENT DOCUMENTS

D. 254,270 2/1980 Ziegler D24/138
D. 306,605 3/1990 Manoy et al. D24/137
5,349,941 9/1994 Hori 600/122

[73] Assignee: **Karl Storz GmbH & Co. KG**, Germany

Primary Examiner—Stella Reid
Assistant Examiner—I Simmons
Attorney, Agent, or Firm—St. Onge Steward Johnston & Reens LLC

[**] Term: **14 Years**

[57] **CLAIM**

[21] Appl. No.: **29/108,918**

The ornamental design for an endoscope, as shown and described.

[22] Filed: **Aug. 5, 1999**

DESCRIPTION

Related U.S. Application Data

[62] Division of application No. 29/079,787, Nov. 25, 1997.

FIG. 1 is a right side elevational view of an endoscope showing our new design;
FIG. 2 is a left side elevational view thereof;
FIG. 3 is a rear elevational view thereof
FIG. 4 is a front elevational view thereof,
FIG. 5 is a top plan view thereof; and,
FIG. 6 is a bottom plan thereof.

Foreign Application Priority Data

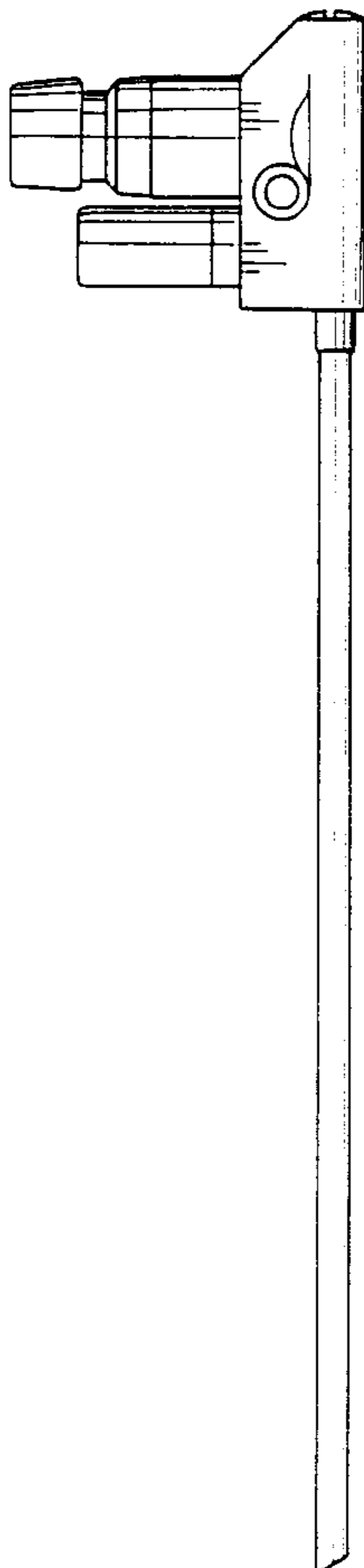
May 27, 1997 [DE] Germany M 97 05 012

[51] **LOC (7) Cl.** **24-02**

[52] **U.S. Cl.** **D24/138**

[58] **Field of Search** D24/137, 138;
600/122, 123, 101, 102, 113

1 Claim, 5 Drawing Sheets



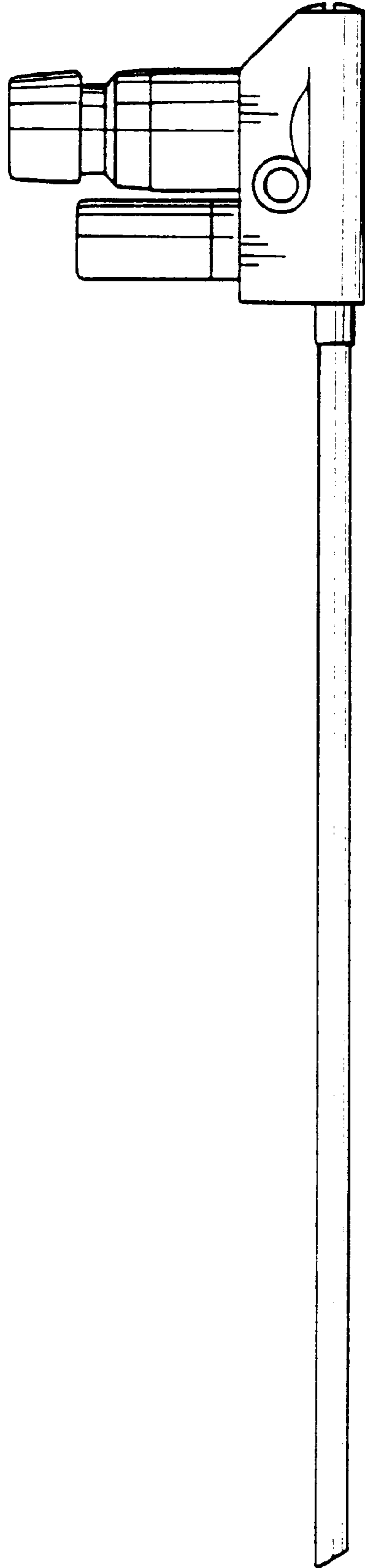


FIG. 1

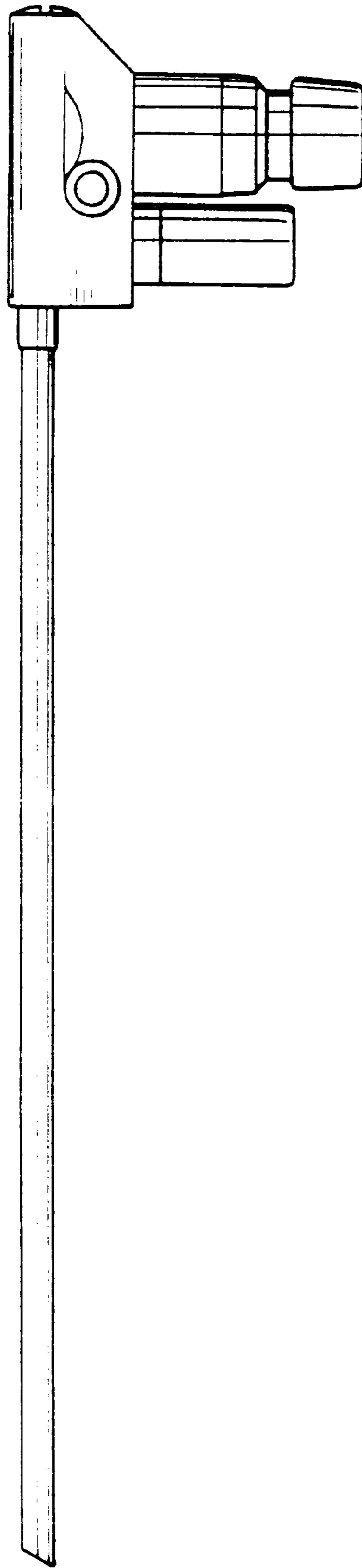


FIG. 2

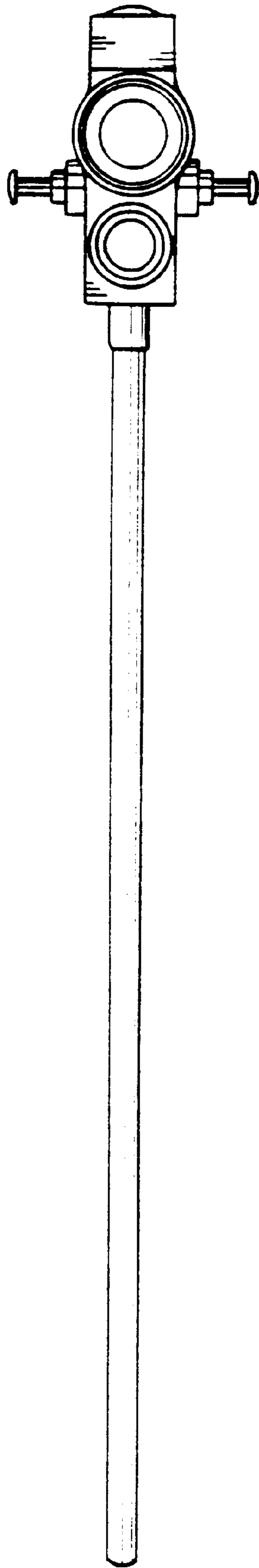


FIG. 3

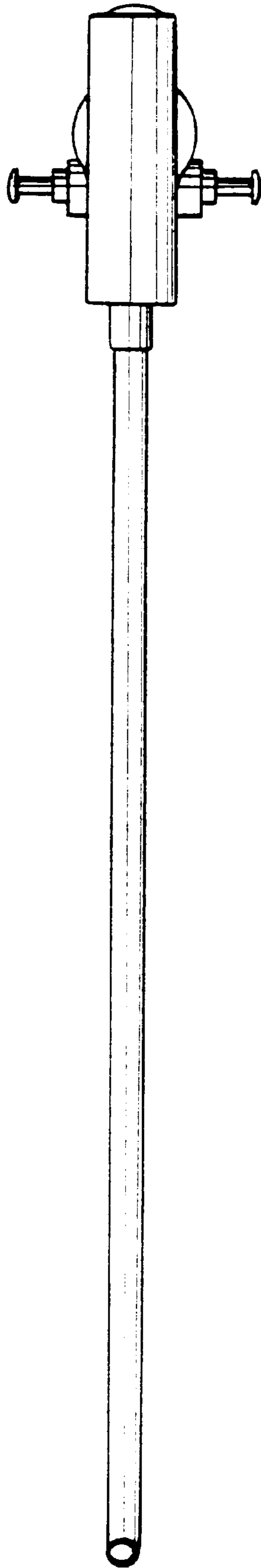


FIG. 4

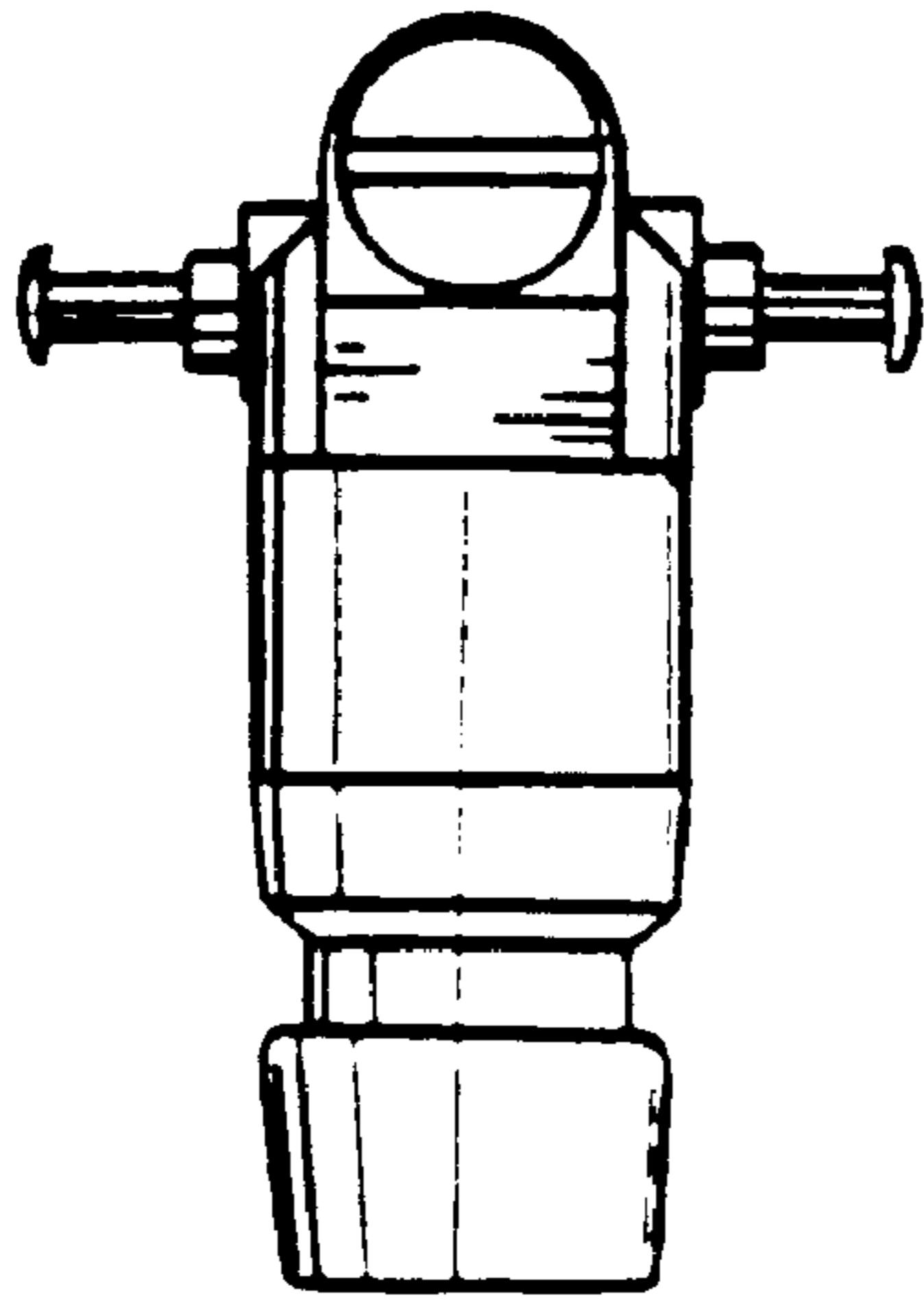


FIG. 5

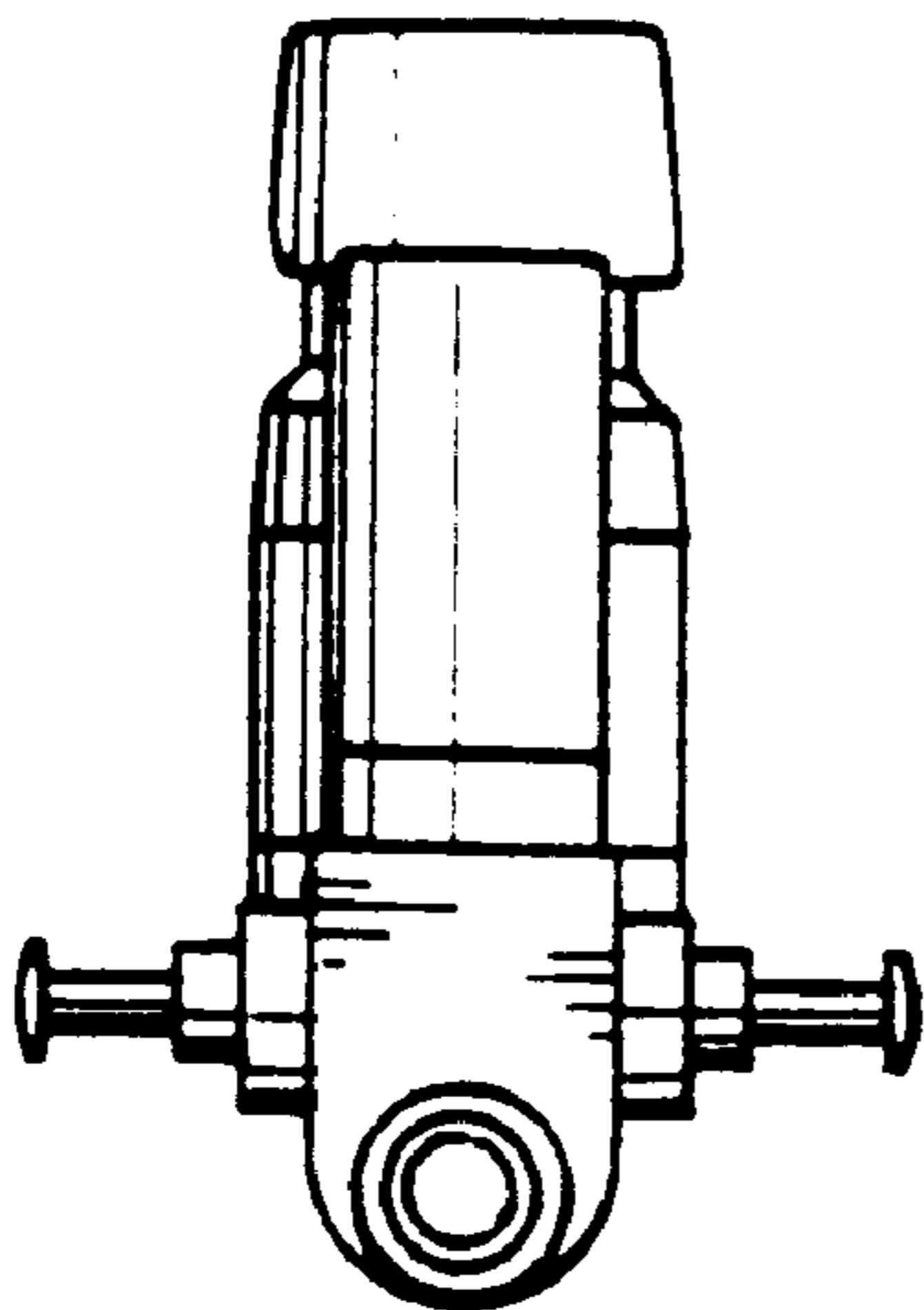


FIG. 6