



US00D428486S

# United States Patent [19] Schuckmann

[11] Patent Number: Des. 428,486

[45] Date of Patent: \*\* Jul. 18, 2000

## [54] INHALER WITH REMOVABLE MOUTHPIECE

[76] Inventor: Alfred von Schuckmann,  
Winnedendonker Str. 52, D-47627,  
Kevelaer, Germany

[\*\*] Term: 14 Years

[21] Appl. No.: 29/065,673

[22] Filed: Nov. 13, 1996

### [30] Foreign Application Priority Data

May 17, 1996 [DE] Germany ..... M 96 04 334

[51] LOC (7) Cl. .... 24-04

[52] U.S. Cl. .... D24/110

[58] Field of Search ..... D24/110, 110.5;  
128/203.15, 203.18, 203.22, 203.23, 200.23,  
200.21, 200.14, 200.12, 200.11

### [56] References Cited

#### U.S. PATENT DOCUMENTS

D. 350,602	9/1994	Hobbs	.....	D24/110
D. 363,775	10/1995	Hobbs	.....	D24/110
D. 391,369	2/1998	Anderson	.....	D24/110
D. 395,499	6/1998	Eisele et al.	.....	D24/110
5,042,472	8/1991	Bunin	.....	128/203.15
5,070,870	12/1991	Pearce	.....	128/203.15

Primary Examiner—Stella Reid  
Attorney, Agent, or Firm—Martin A. Farber

### [57] CLAIM

The ornamental design for an inhaler with removable mouthpiece, as shown and described.

### DESCRIPTION

FIG. 1 is a front elevational view of an inhaler, showing my new design, with the mouthpiece removed;

FIG. 2 is a bottom plan view thereof, taken in the direction of line 2—2 in FIG. 1;

FIG. 3 is a side elevational view thereof, taken in the direction of line 3—3 in FIG. 1, with the opposite side being identical thereto;

FIG. 4 is a perspective view thereof, with the mouthpiece attached;

FIG. 5 is a cross-sectional view, of the inhaler with removable mouthpiece attached, taken along line 5—5 in FIG. 4;

FIG. 6 is a side elevational view of the mouthpiece shown in FIG. 4, with the opposite side being identical thereto;

FIG. 7 is a top plan view thereof, with the bottom plan view being identical thereto;

FIG. 8 is a front elevational view thereof; and,

FIG. 9 is a back elevational view thereof.

The rear of the inhaler is plain and unornamented.

1 Claim, 4 Drawing Sheets

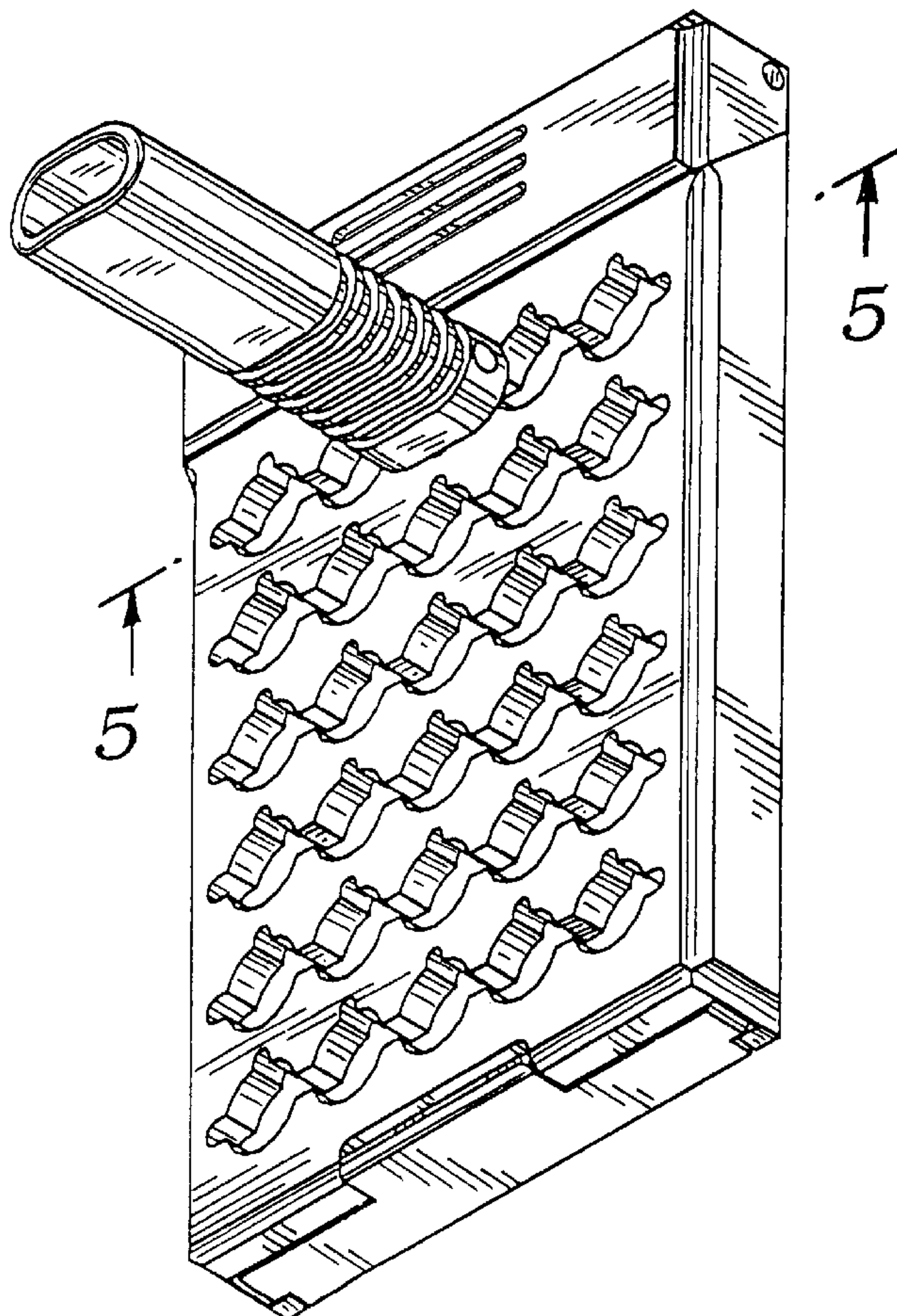


FIG.2

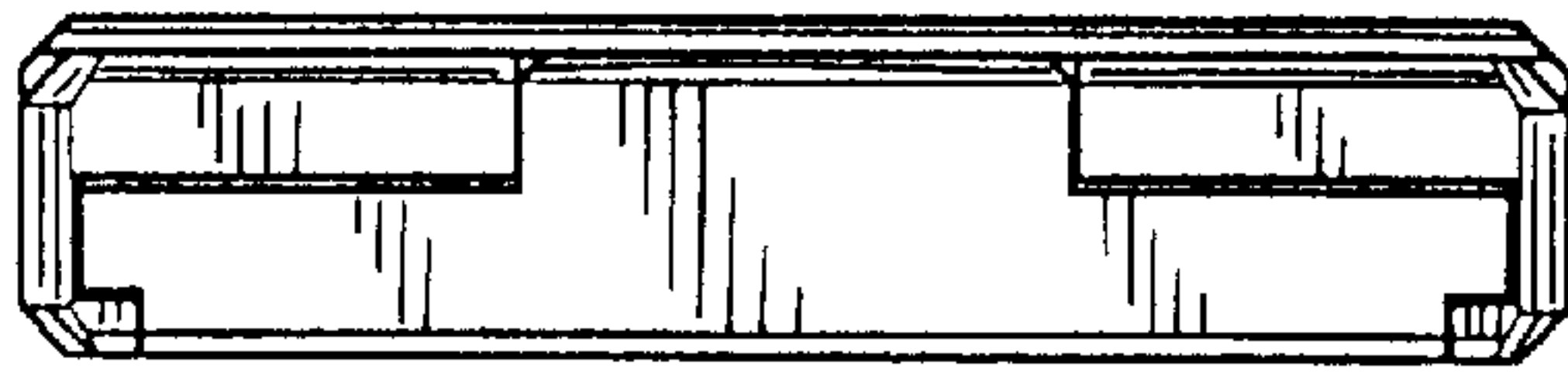


FIG.1

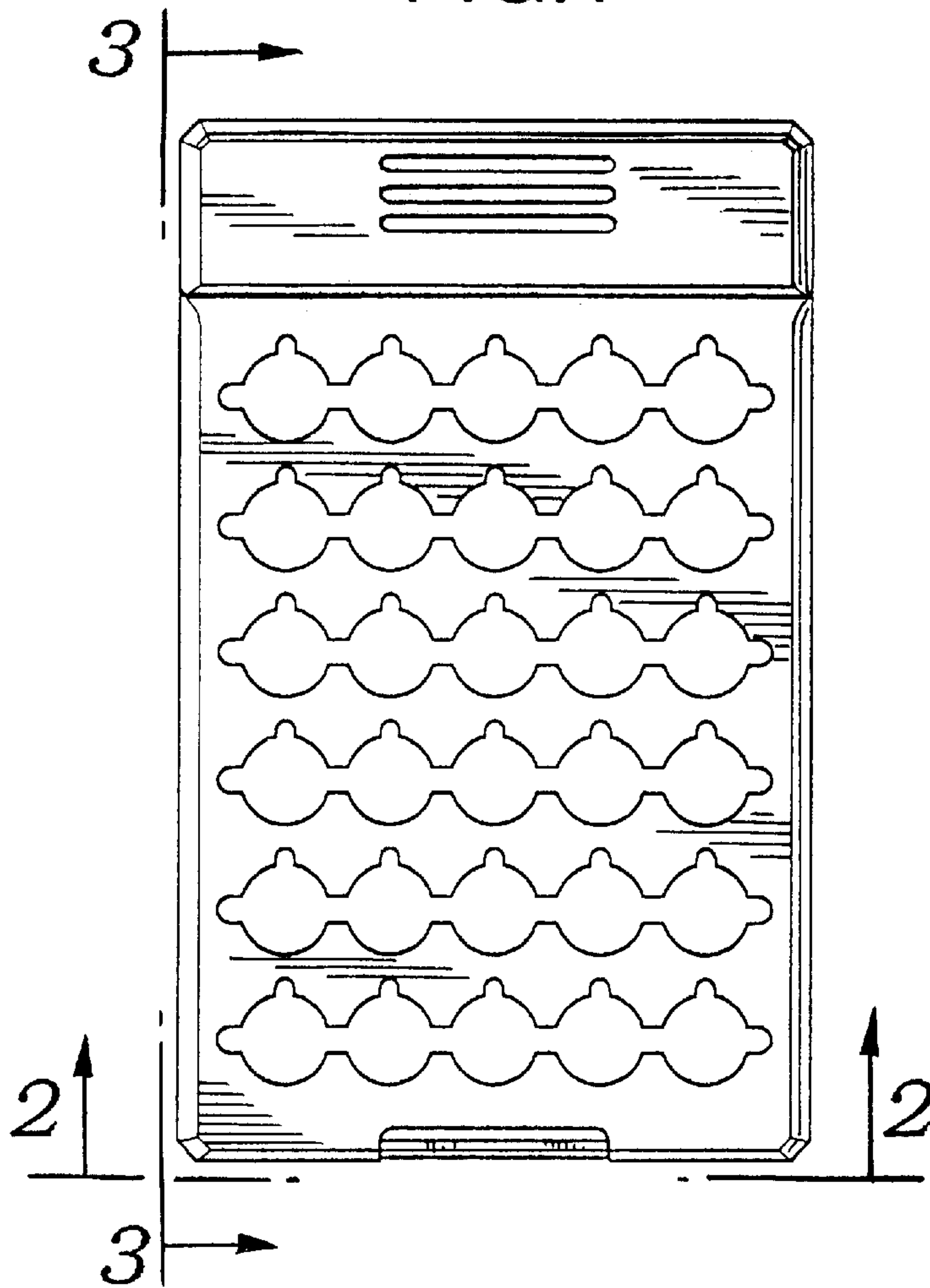


FIG.3

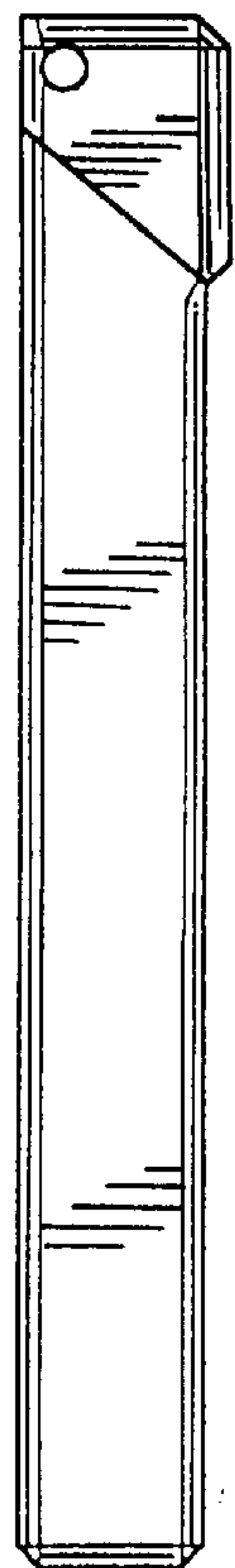


FIG. 4

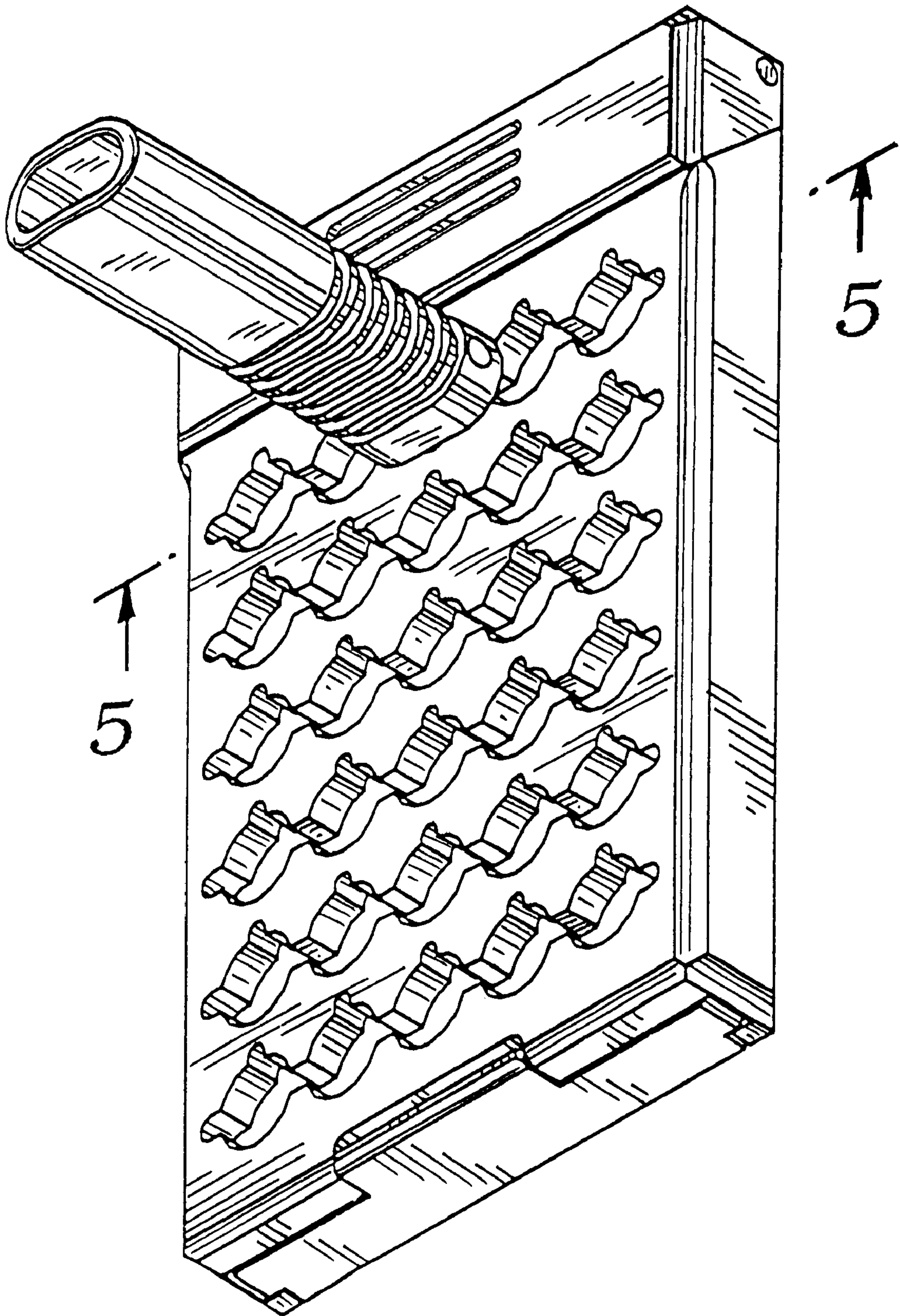




FIG.5

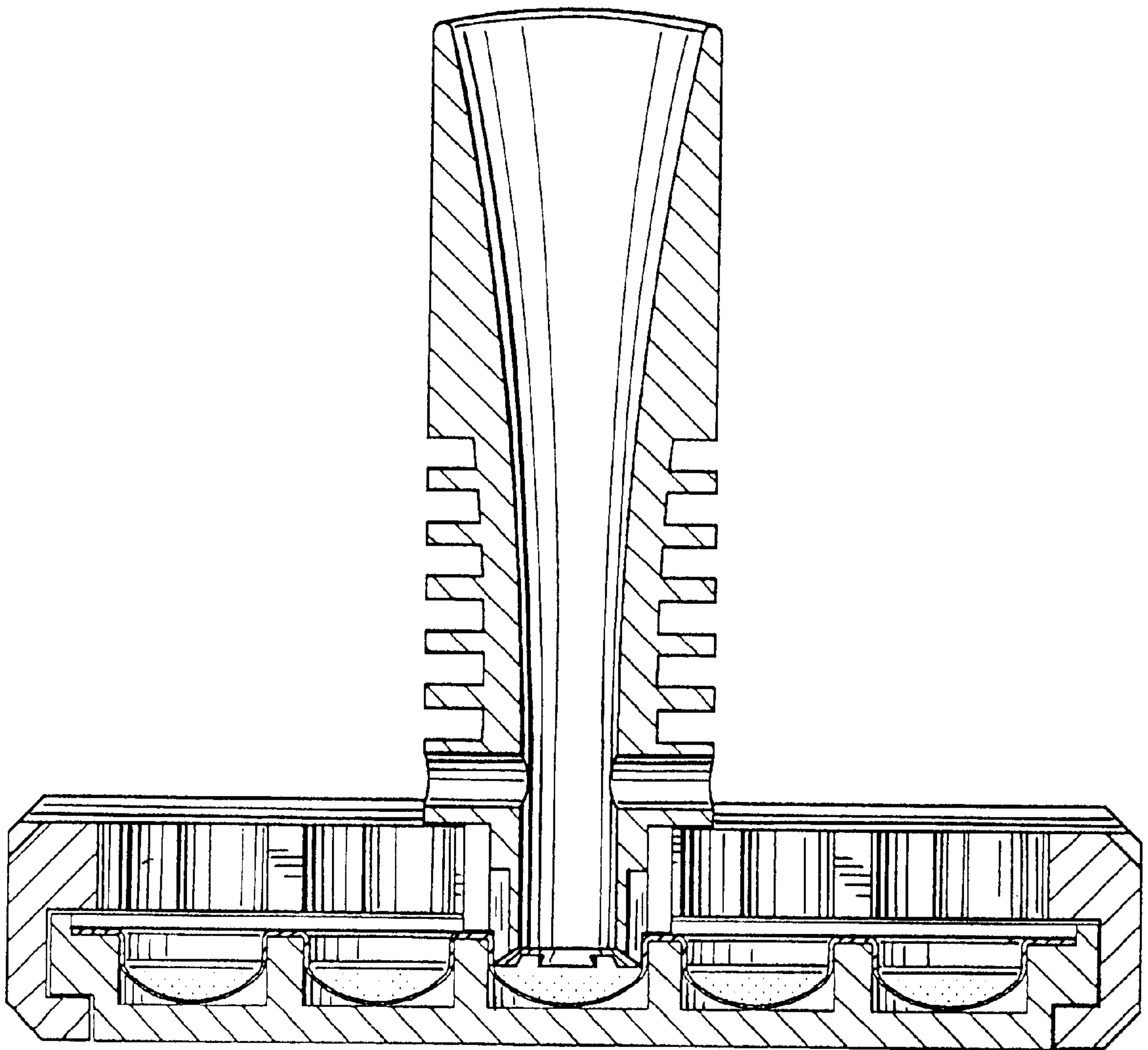


FIG.7

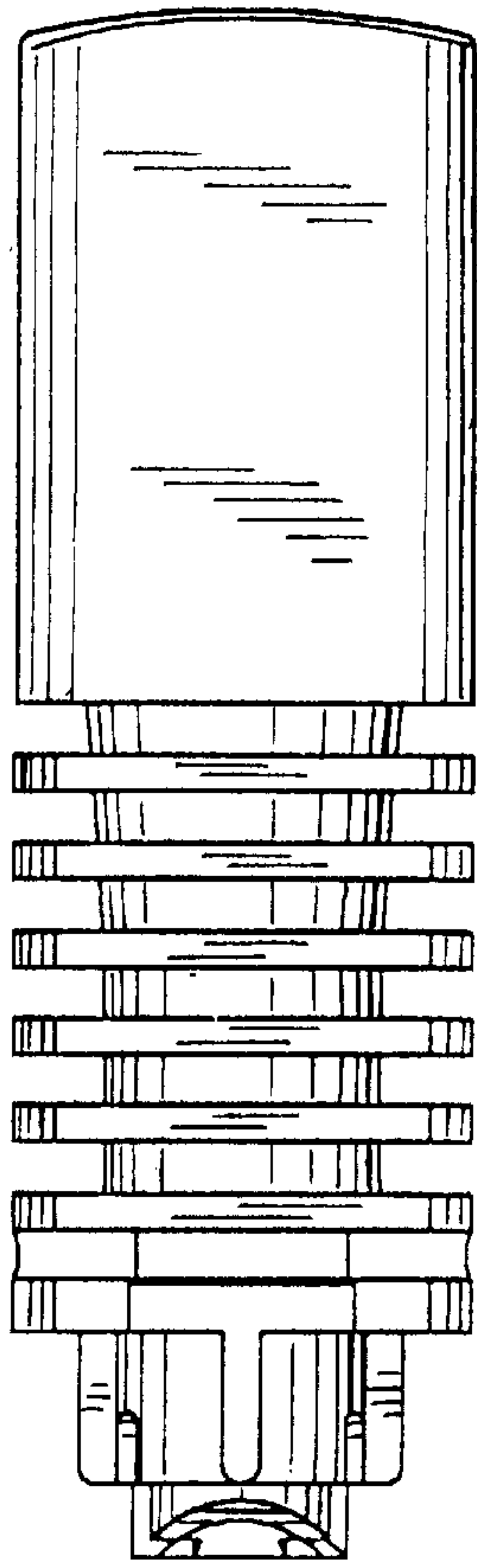


FIG.6

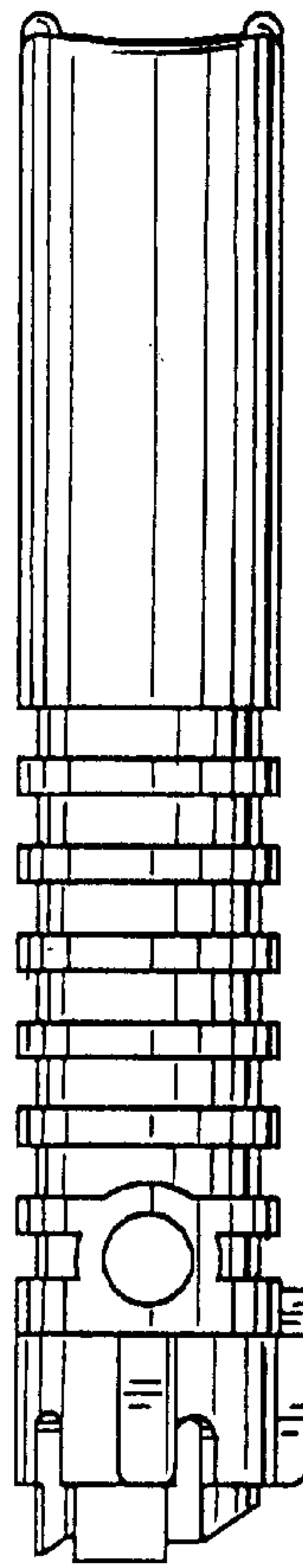


FIG.9

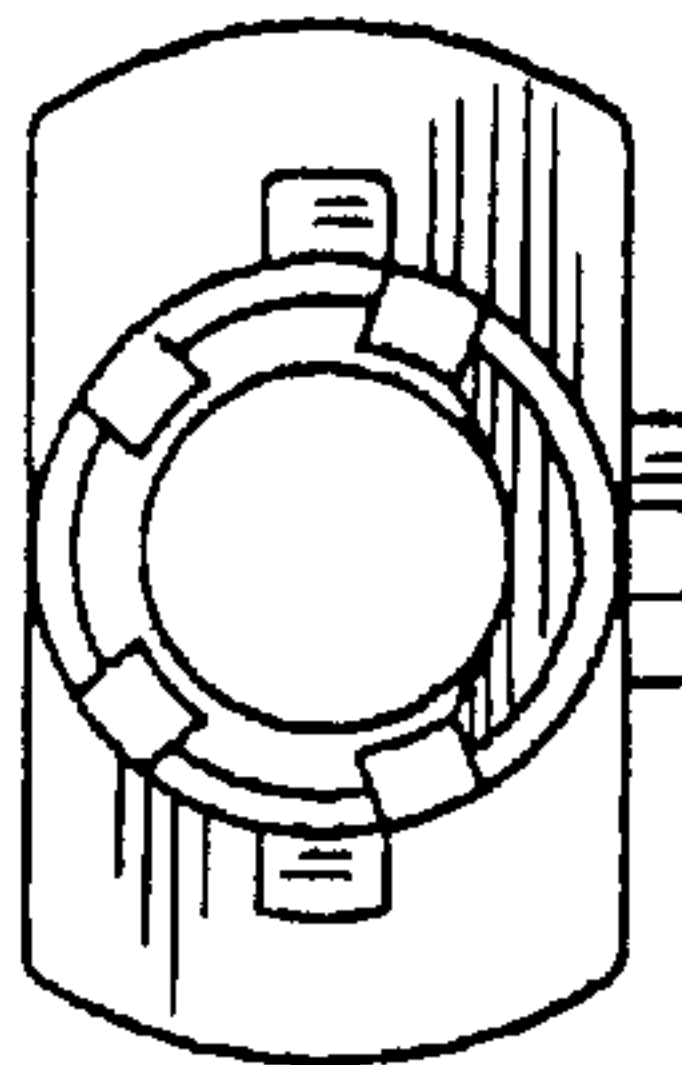


FIG.8

