



US00D428485S

United States Patent [19]

[11] **Patent Number: Des. 428,485**

Dolan

[45] **Date of Patent: ** Jul. 18, 2000**

[54] **COMBINED CEILING FAN MOTOR HOUSING AND BLADE IRONS UNIT**

[76] Inventor: **Patrick S. Dolan**, 1901 NW. Upshur, Portland, Oreg. 97209

[**] Term: **14 Years**

[21] Appl. No.: **29/107,100**

[22] Filed: **Jun. 25, 1999**

[51] **LOC (7) Cl.** **23-04**

[52] **U.S. Cl.** **D23/411; D23/377**

[58] **Field of Search** D23/411, 377, D23/379, 385, 413; 416/5; 392/364

[56] **References Cited**
PUBLICATIONS

JC Penney Co., Inc., PO Box 1138, Milwaukee, WI 53201, Spring & Summer Catalog 1997, p. 800 Model A852-0512.
Craftmade International, 650 S. Royal Lane #100, Coppell, TX 75019, Catalog 1997, p. 7 Model CB60BS.

Quorum International, PO Box 961008, Fort Worth, TX 76161, Catalog No. 9601 1996, p. 9 Model 26525-66.
Minka-Aire, 1151 West Bradford Circle, Corona, CA 91720, Catalog 1996, p. 15 Model F807.
Casablanca Fan Company, 761 Corporate Center Drive, Pomona, CA 91768, Catalog 1997, p. 35 Model 42222V.

Primary Examiner—Lisa Lichtenstein

[57] **CLAIM**

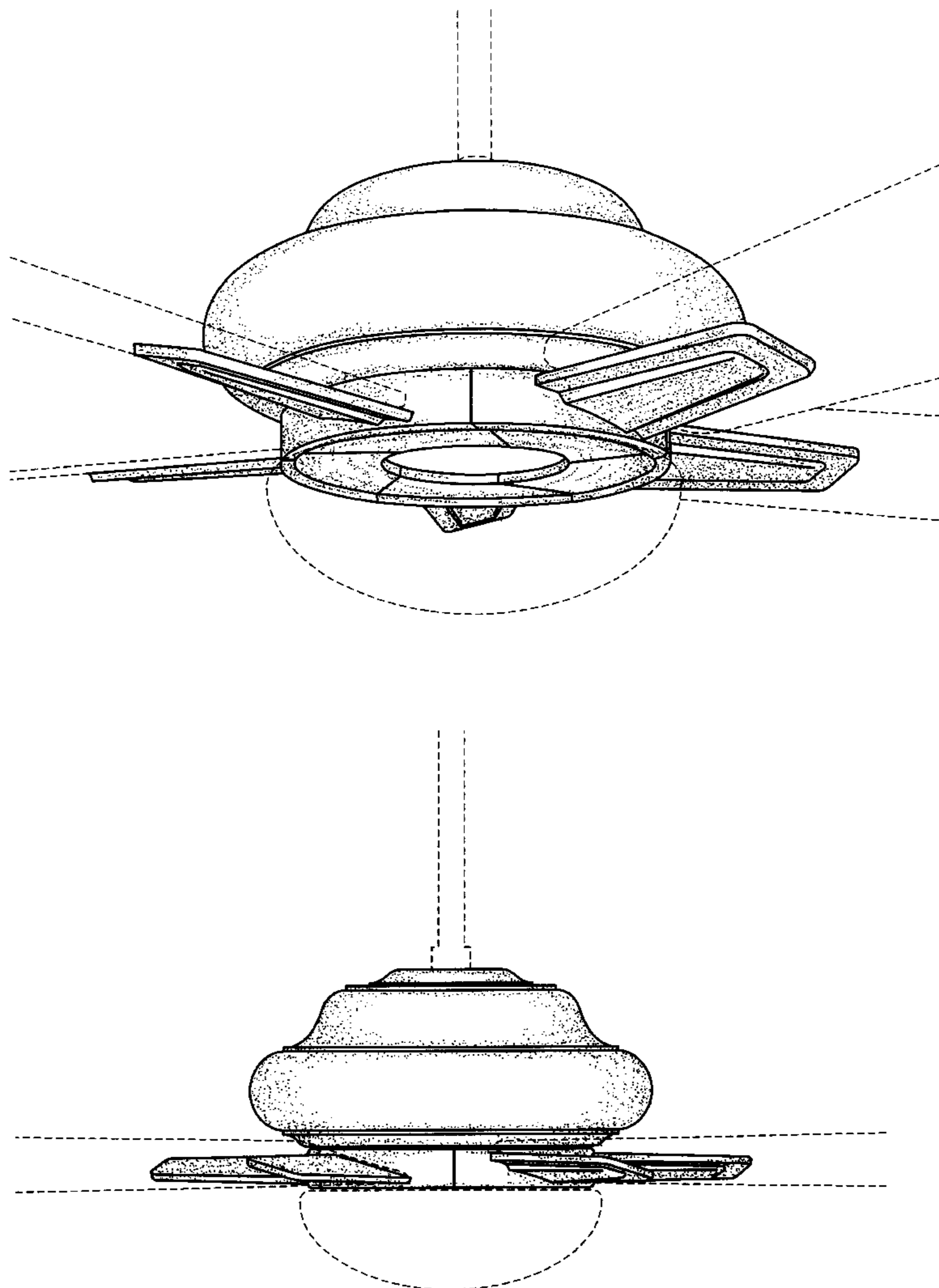
The ornamental design for a combined ceiling fan motor housing and blade irons unit, as shown and described.

DESCRIPTION

FIG. 1 is a perspective view thereof; FIG. 2 is a front elevational view thereof, the rear and sides being substantially identical to that shown; FIG. 3 is a top plan view thereof; and, FIG. 4 is a bottom plan view thereof.

The broken-line showing of environmental structure in FIGS. 1-4 is for illustrative purposes only and forms no part of the claimed design.

1 Claim, 4 Drawing Sheets



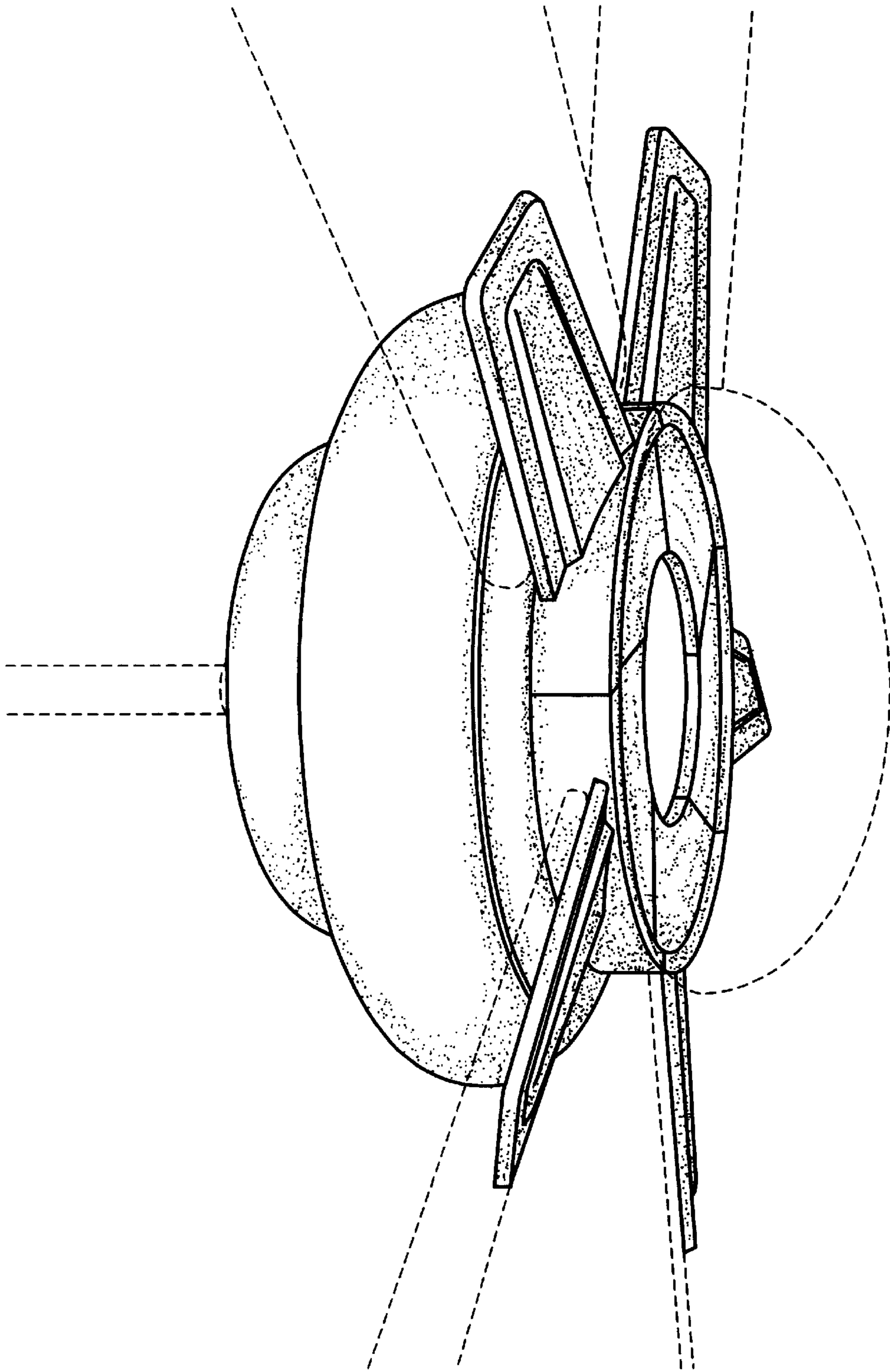


FIG. 1

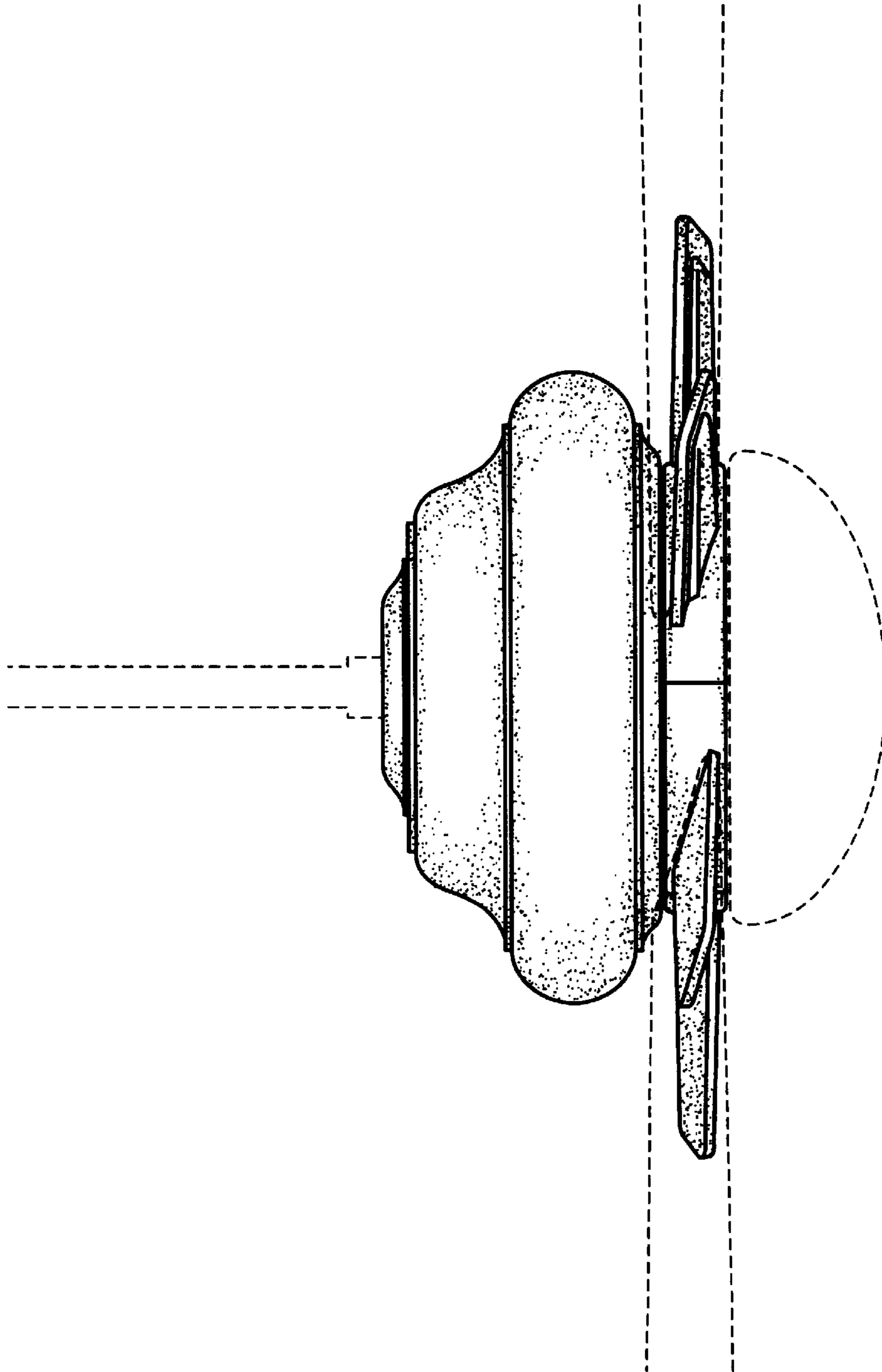


FIG. 2

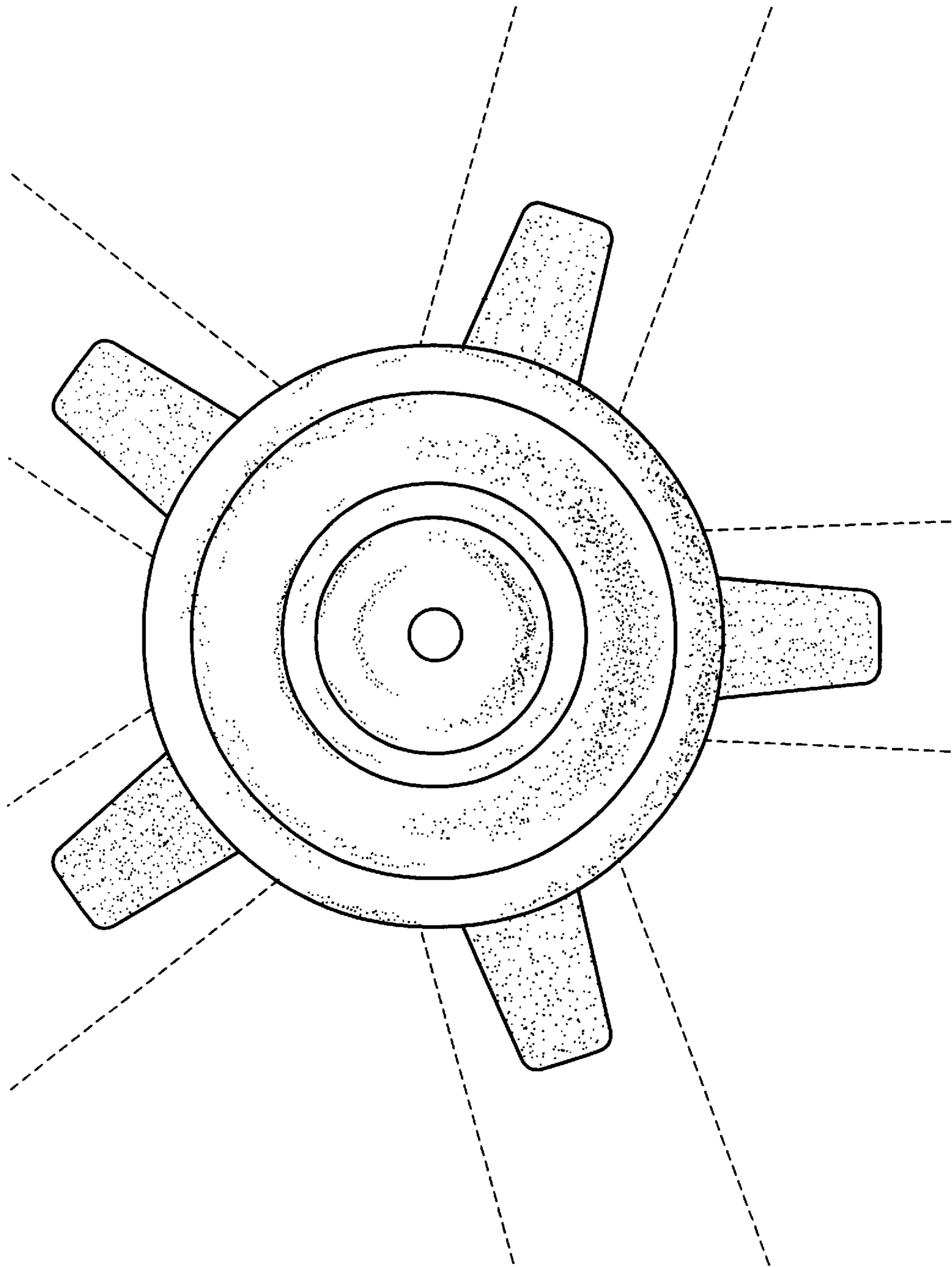


FIG. 3

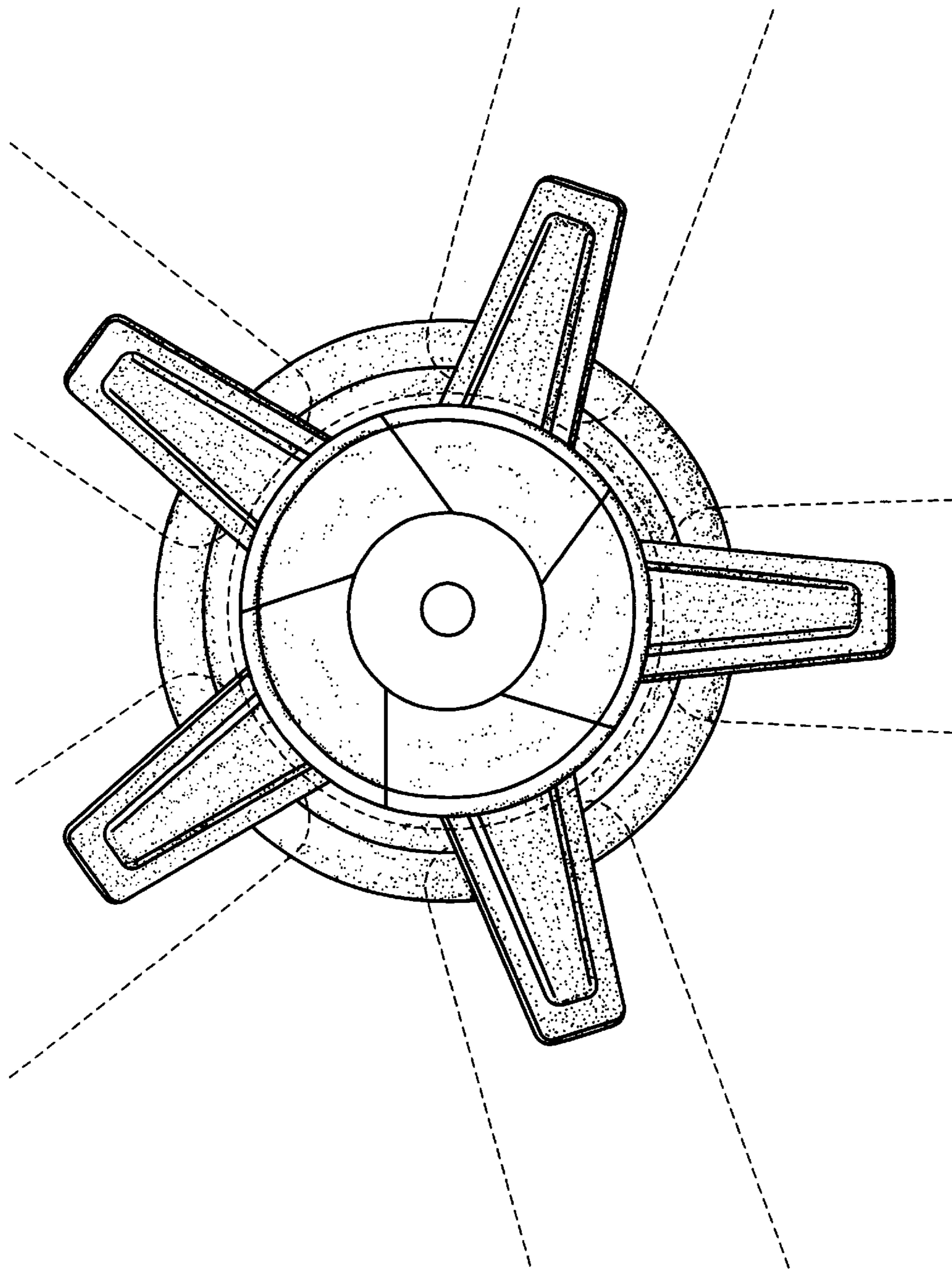


FIG. 4