



US00D428484S

# United States Patent [19] Zirk

[11] Patent Number: **Des. 428,484**

[45] Date of Patent: **\*\* Jul. 18, 2000**

[54] **COPPER ROOF VENT COVER**

[76] Inventor: **Todd A. Zirk**, 2782 Centerville-Rose Bud Rd., Snelville, Ga. 30039

[\*\*] Term: **14 Years**

[21] Appl. No.: **29/108,800**

[22] Filed: **Aug. 3, 1999**

[51] **LOC (7) Cl.** ..... **23-99**

[52] **U.S. Cl.** ..... **D23/393**

[58] **Field of Search** ..... D23/373, 375, D23/376, 393; 98/83, 64, 43 R, 43 C

[56] **References Cited**

**U.S. PATENT DOCUMENTS**

D. 259,208	5/1981	McCallough	.....	D23/376
D. 263,497	3/1982	Kearney, III	.....	D23/393
2,300,842	11/1942	Leslie	.....	98/42
3,895,467	7/1975	Clement	.....	52/199
4,406,095	9/1983	Slavik	.....	52/95
4,924,761	5/1990	MacLeod et al.	.....	98/42.21
5,009,149	4/1991	MacLeod et al.	.....	98/42.21
5,010,700	4/1991	Blair	.....	52/199
5,174,076	12/1992	Schiedegger et al.	.....	52/199
5,347,776	9/1994	Skoff	.....	52/219
5,394,663	3/1995	Jackson	.....	52/199

5,402,611	4/1995	Vagedes	.....	52/198
5,502,935	4/1996	Demmer	.....	52/200
5,630,752	5/1997	Gubash	.....	454/366

*Primary Examiner*—Mitchell Siegel  
*Attorney, Agent, or Firm*—Gardner & Groff, P.C.

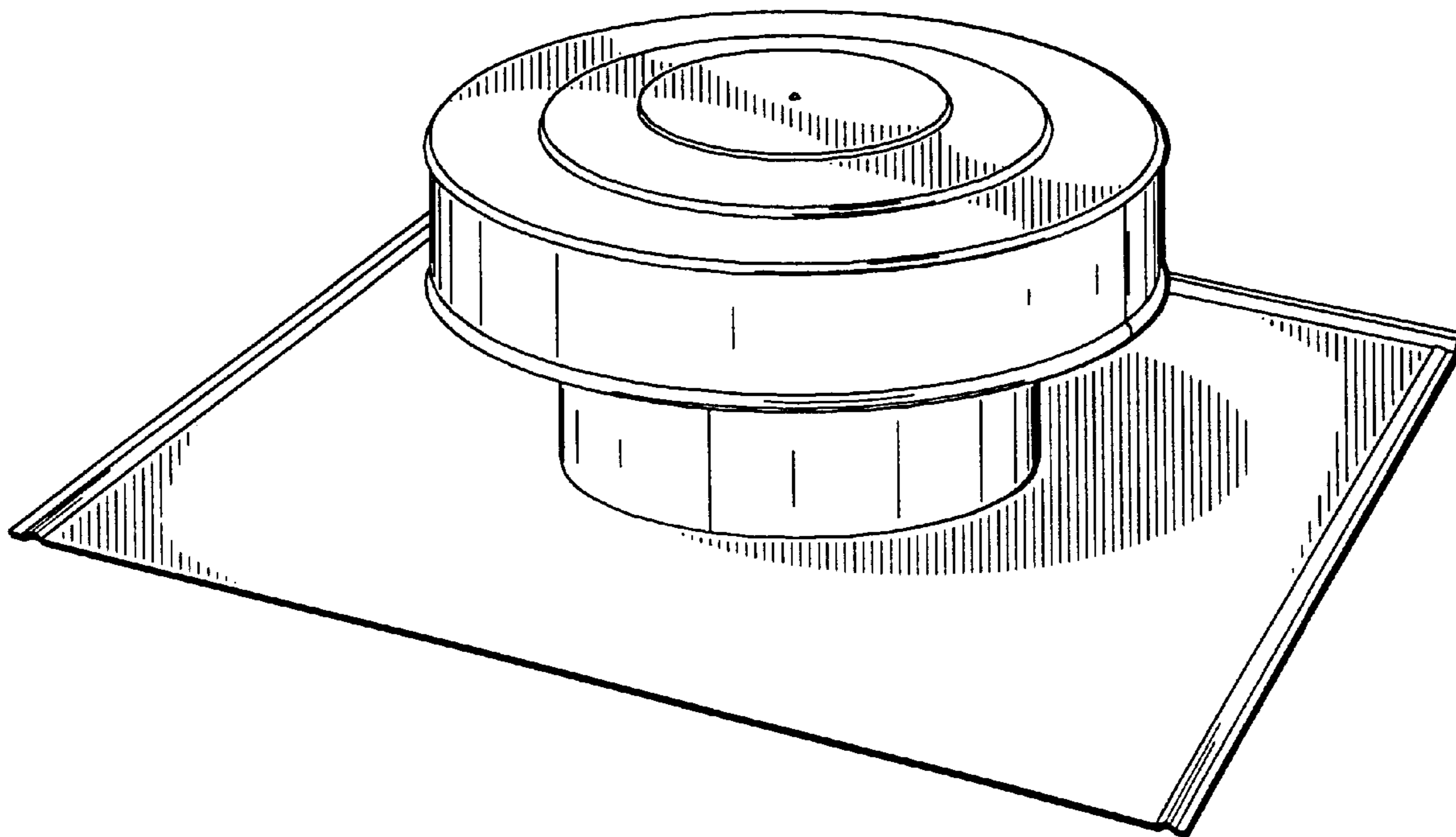
[57] **CLAIM**

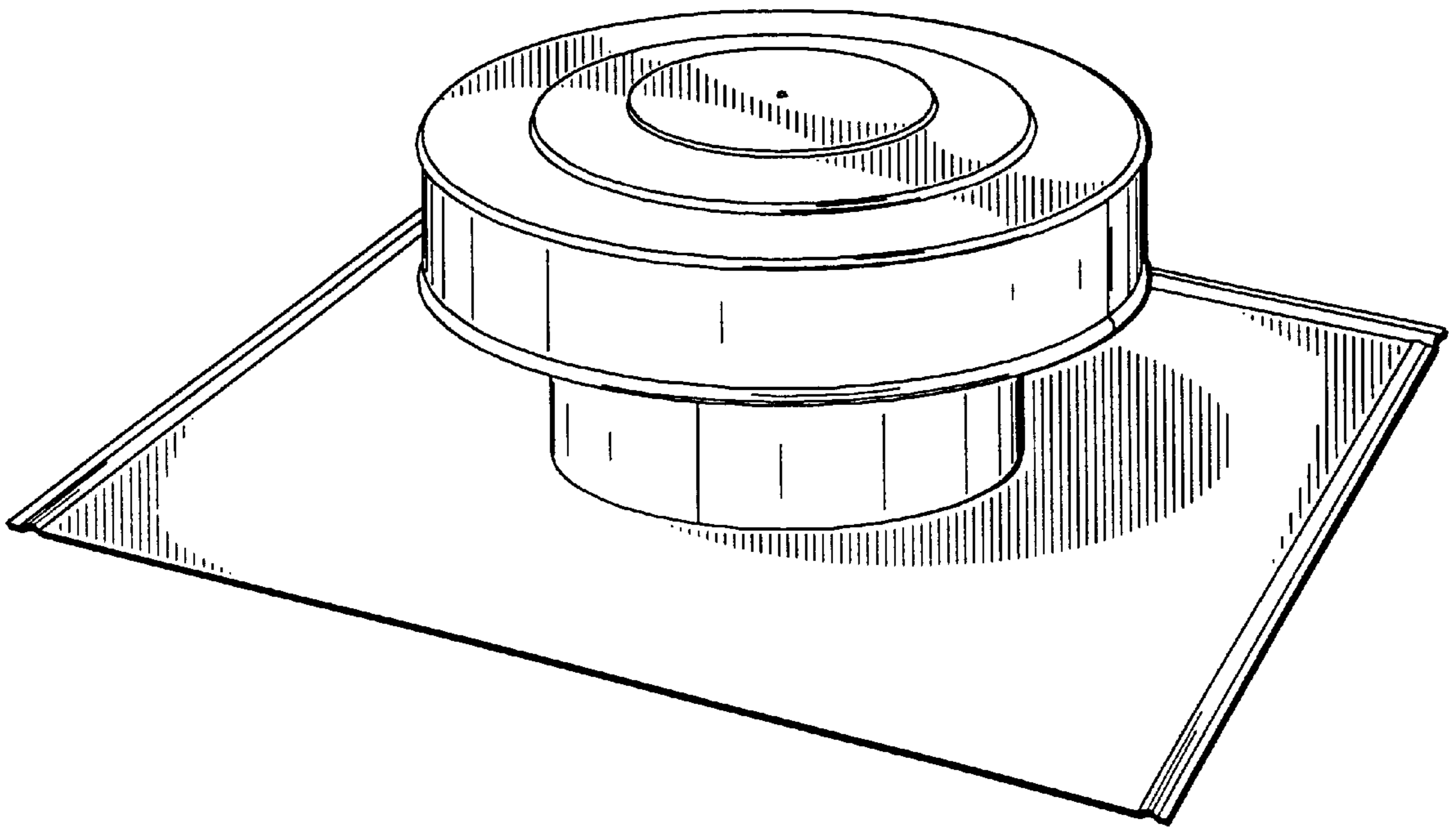
I claim the ornamental design for a copper roof vent cover, as shown.

**DESCRIPTION**

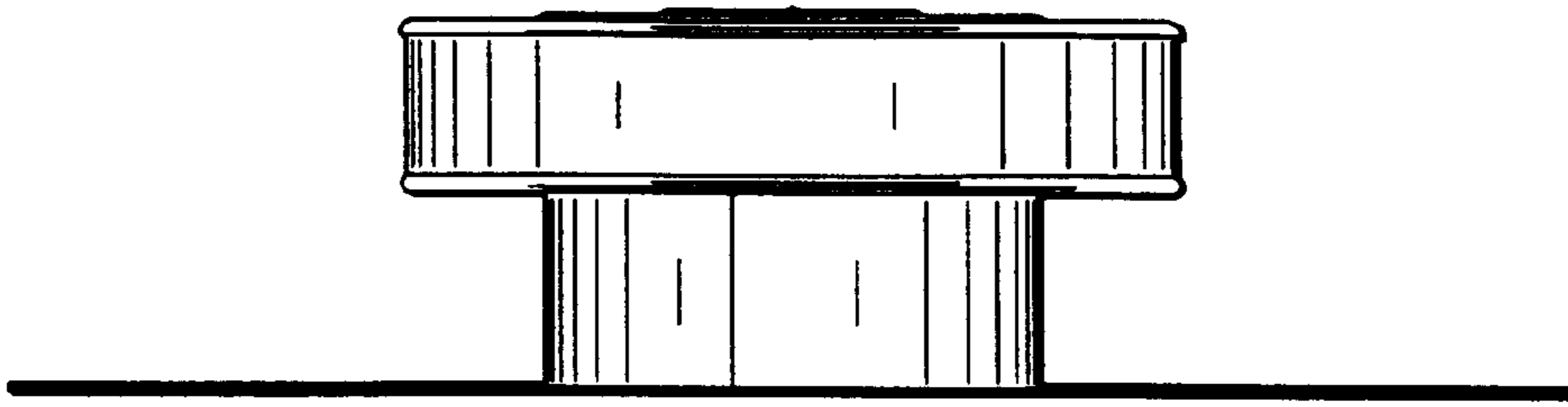
FIG. 1 is a perspective illustration of a copper roof vent cover according to a preferred form of the invention.  
 FIG. 2 is a front elevation view of the copper roof vent cover of FIG. 1.  
 FIG. 3 is a left side elevation view of the copper roof vent cover of FIG. 1.  
 FIG. 4 is a right side elevation view of the copper roof vent cover of FIG. 1.  
 FIG. 5 is a rear elevation view of the copper roof vent cover of FIG. 1.  
 FIG. 6 is a plan view of the copper roof vent cover of FIG. 1; and,  
 FIG. 7 is a bottom view of the copper roof vent cover of FIG. 1.

**1 Claim, 3 Drawing Sheets**

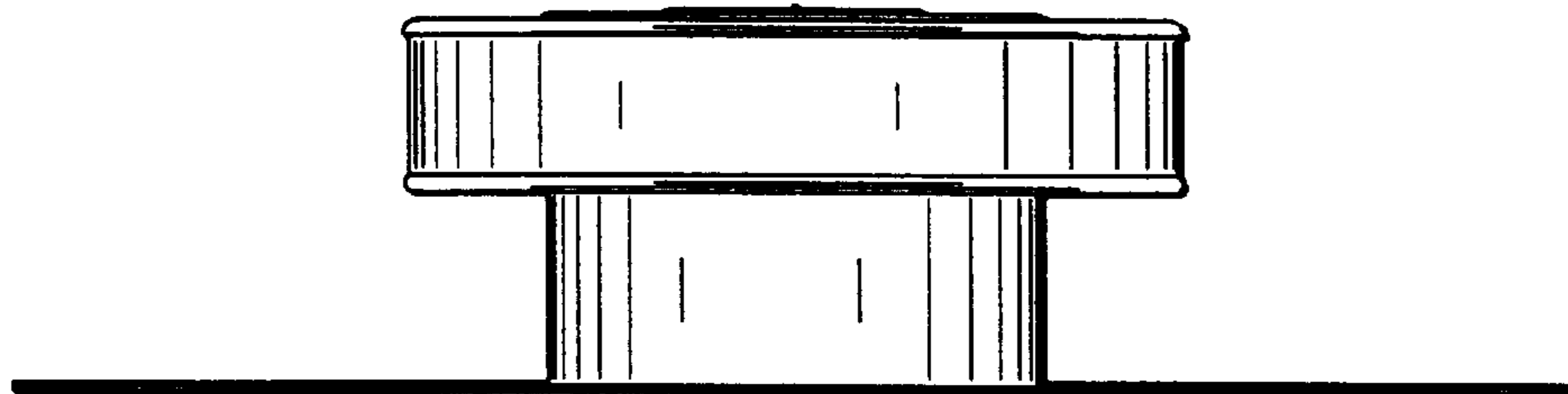




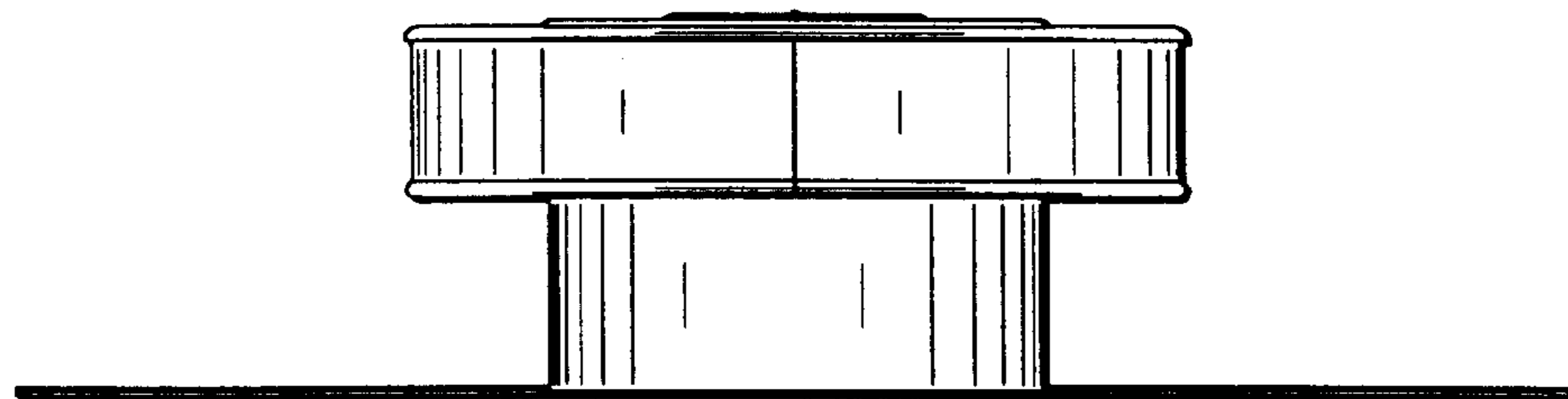
**FIG. 1**



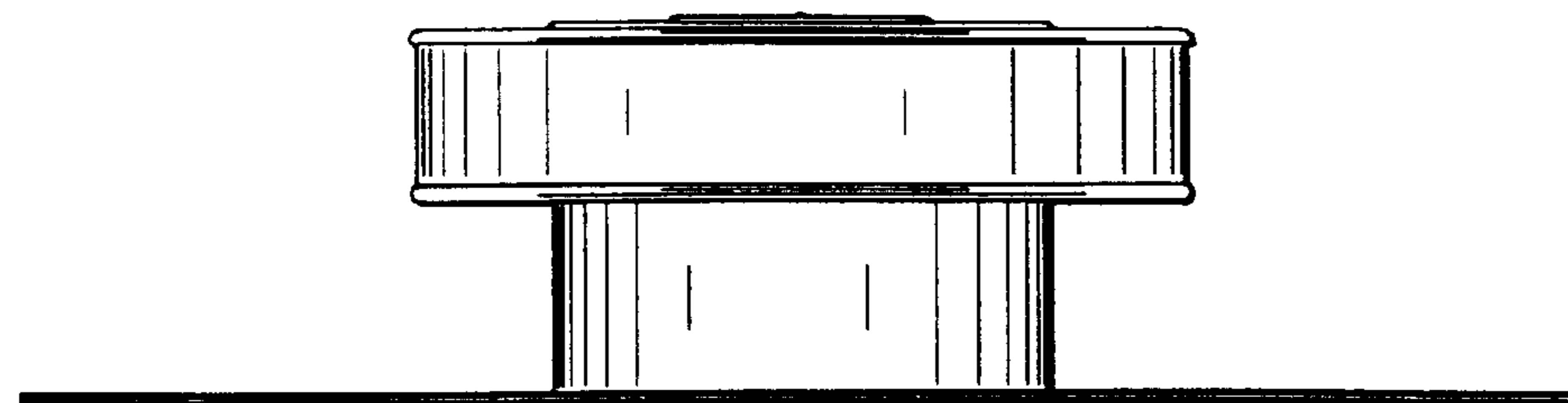
**FIG. 2**



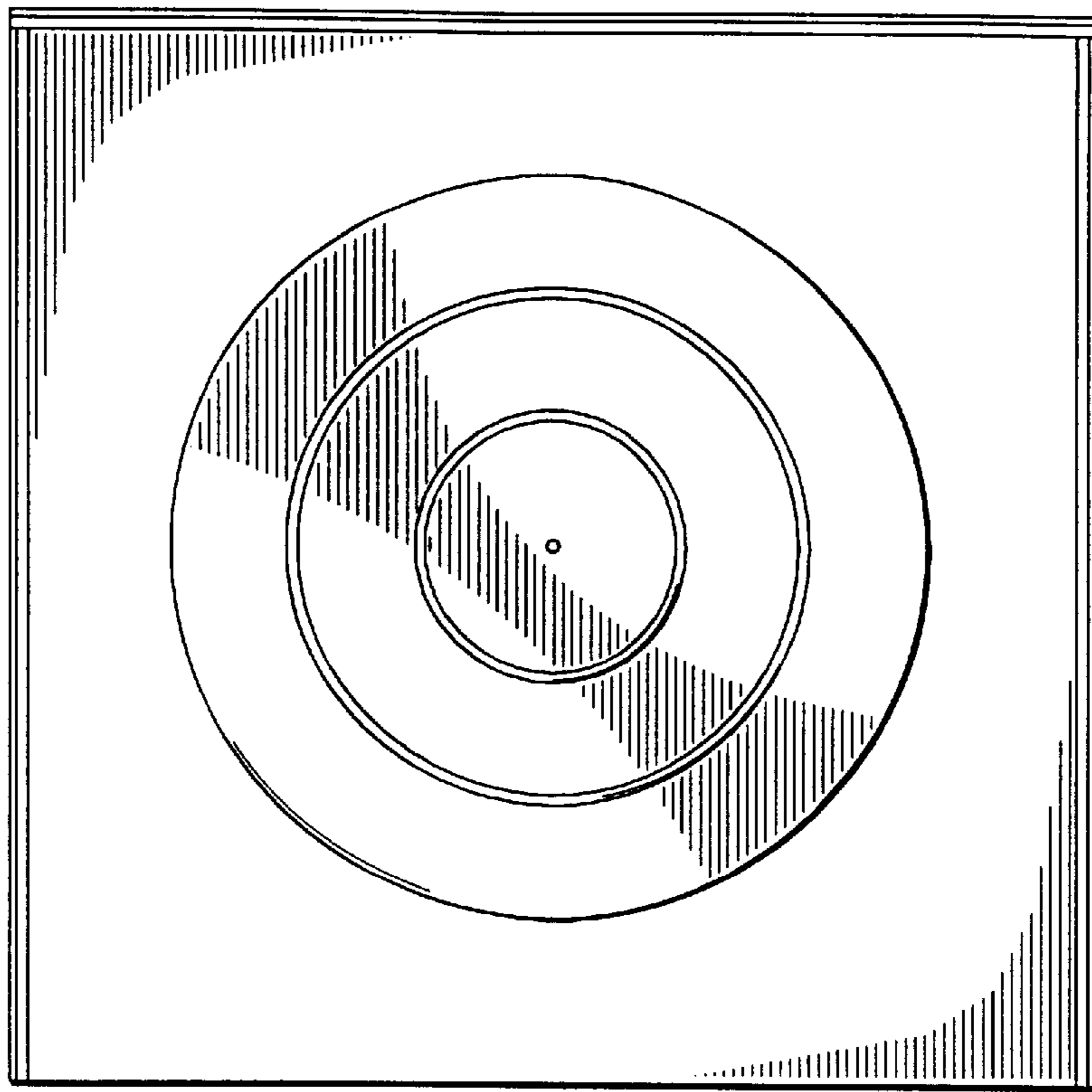
**FIG. 3**



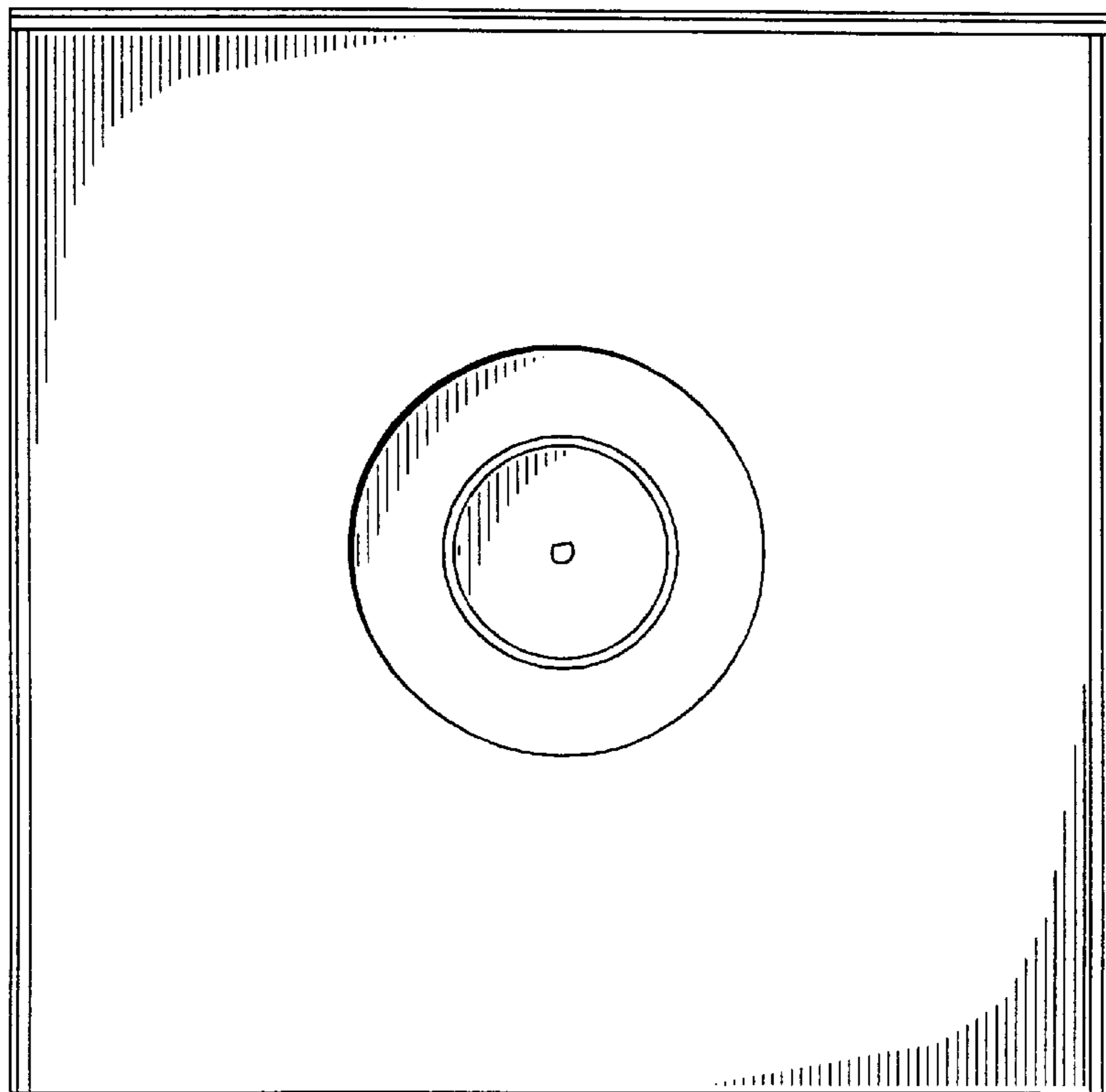
**FIG. 4**



**FIG. 5**



**FIG. 6**



**FIG. 7**