



US00D428483S

United States Patent [19] Balint

[11] Patent Number: **Des. 428,483**

[45] Date of Patent: **** Jul. 18, 2000**

[54] **FLUID FLOW REGULATOR**

[75] Inventor: **Zoltan Balint**, 565 Keilor Road,
Niddrie, Victoria 3042, Australia

[73] Assignee: **Zoltan Balint**, Victoria, Australia

[**] Term: **14 Years**

[21] Appl. No.: **29/096,009**

[22] Filed: **Nov. 3, 1998**

[30] **Foreign Application Priority Data**

May 25, 1998 [AU] Australia 1510/98

[51] **LOC (7) Cl.** **23-99**

[52] **U.S. Cl.** **D23/387**

[58] **Field of Search** D23/387; 138/118,
138/37; 4/193; 137/599.1

[56] **References Cited**

U.S. PATENT DOCUMENTS

2,176,139 10/1939 Lofgren .
4,063,571 12/1977 Ban 137/599.1

4,761,848 8/1988 Hofmann 15/1.7
4,807,318 2/1989 Kallenbach 15/1.7
5,082,028 1/1992 Jean-Jacques 138/118
5,208,923 5/1993 Stiver 4/493

FOREIGN PATENT DOCUMENTS

0 380 421 8/1990 European Pat. Off. .
272973-A1 1/1995 France .

Primary Examiner—Mitchell Siegel
Attorney, Agent, or Firm—Greer, Burns & Crain, Ltd.

[57] **CLAIM**

The ornamental design for a fluid flow regulator, as shown and described.

DESCRIPTION

FIG. 1 is a top perspective elevational view of the present fluid flow regulator;
FIG. 2 is a front and side view of the fluid flow regulator of FIG. 1, the rear and opposite side views being identical;
FIG. 3 is a top view of the fluid flow regulator of FIG. 1; and,
FIG. 4 is a bottom view of same.

1 Claim, 2 Drawing Sheets

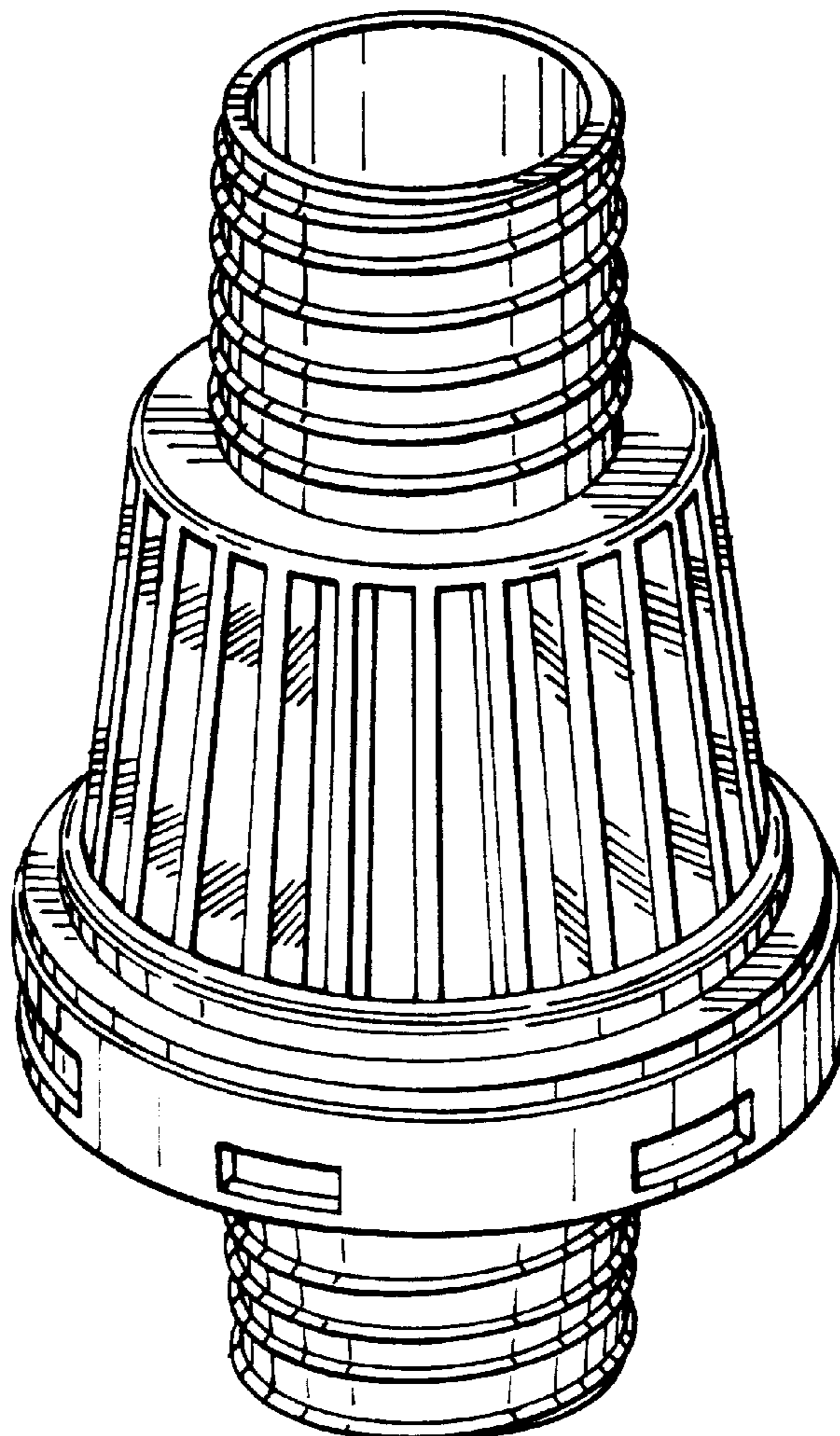


FIG.1

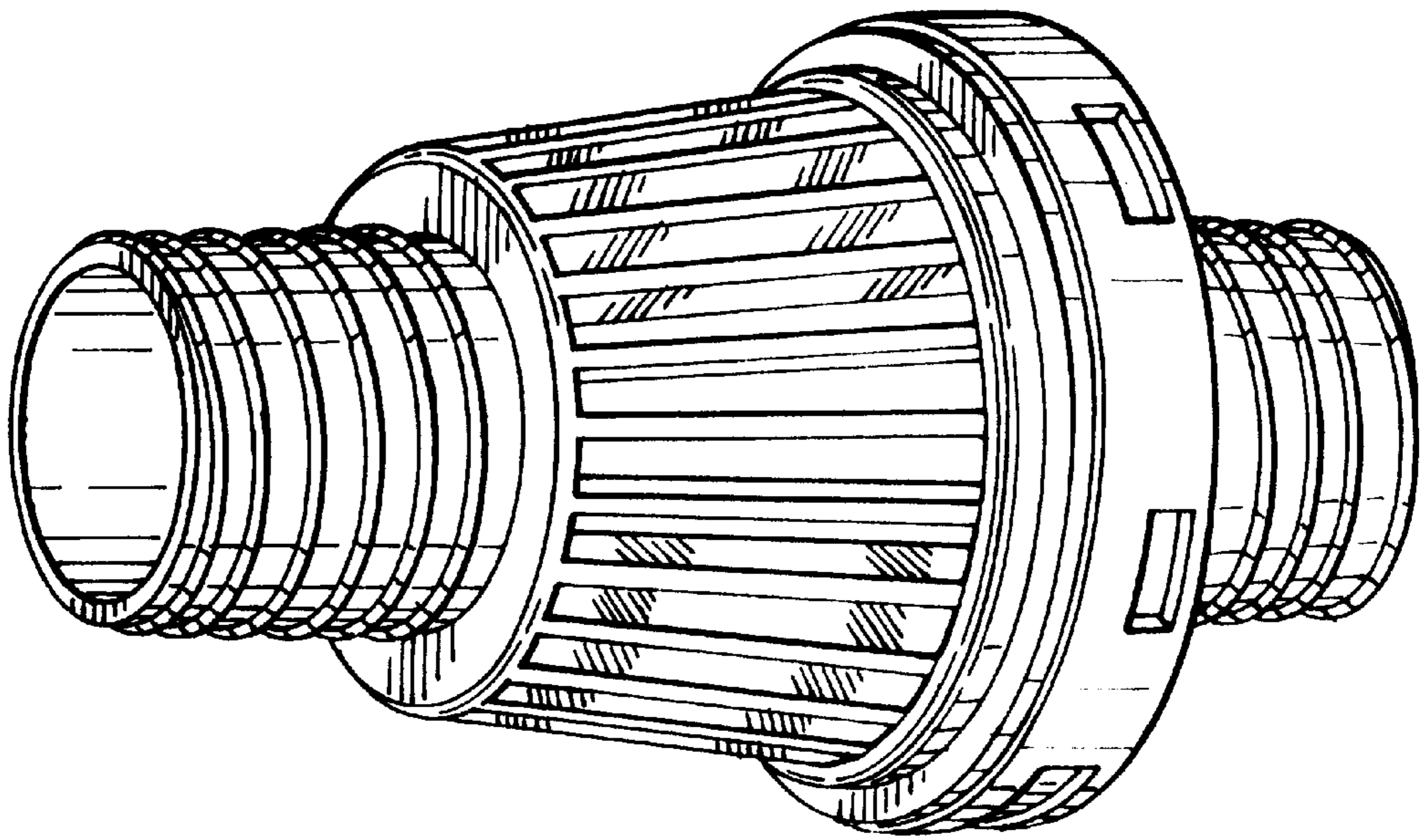


FIG.2

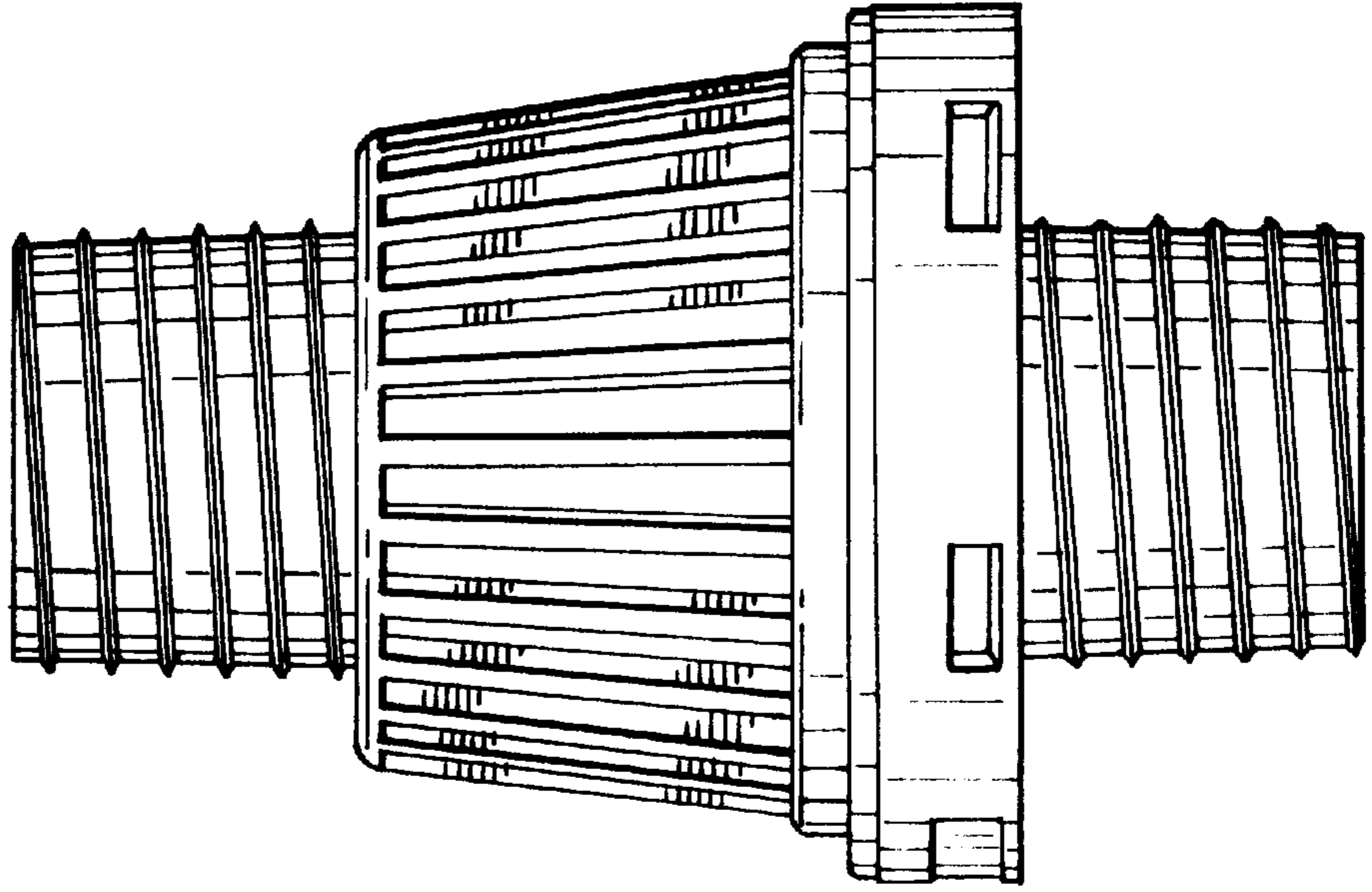


FIG.3

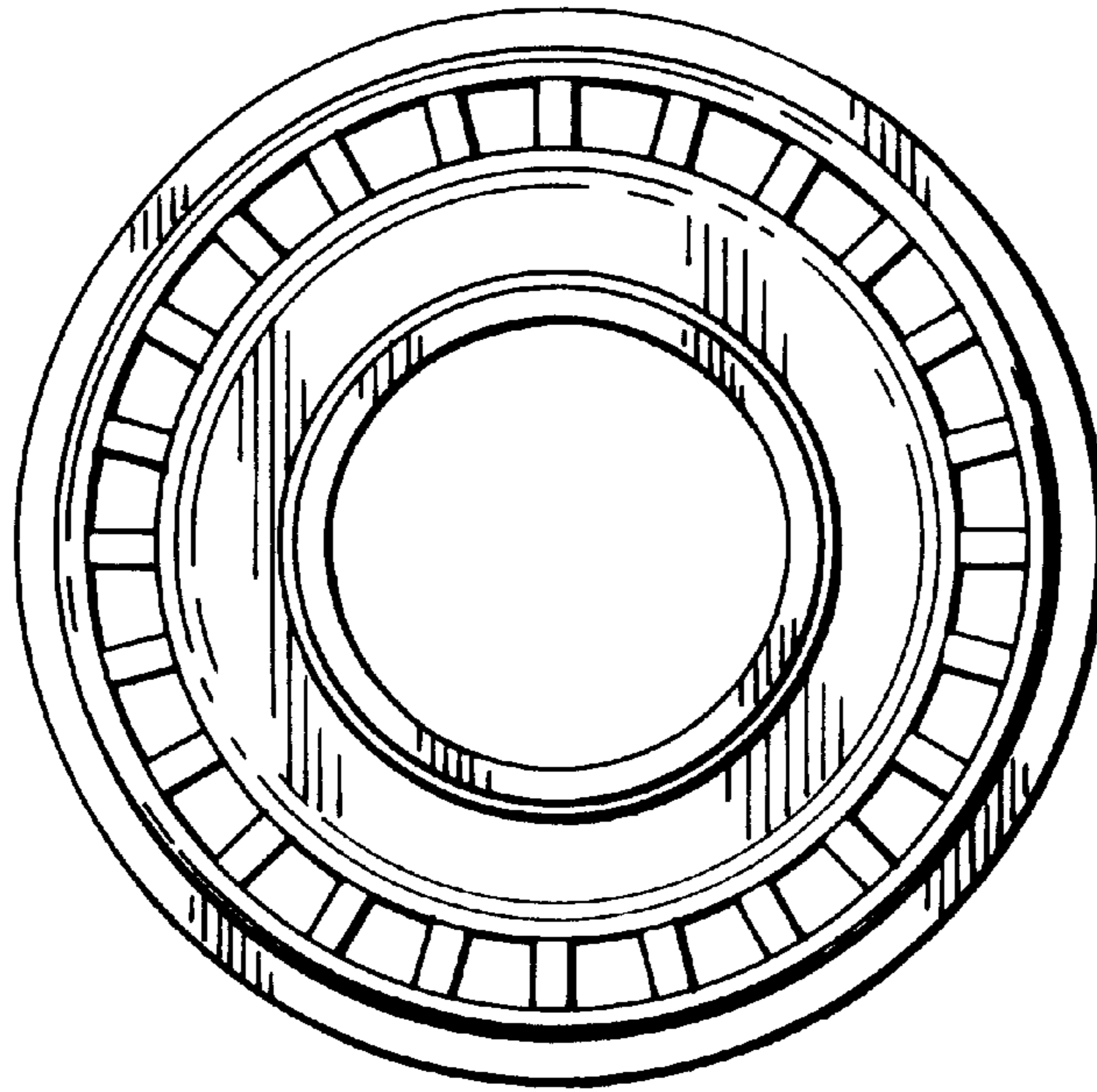


FIG.4

