



US00D428479S

United States Patent [19]

Lewis, Sr.

[11] **Patent Number: Des. 428,479**

[45] **Date of Patent: ** Jul. 18, 2000**

[54] **URINAL DRIP PLATE**

5,564,135 10/1996 Jones et al. 4/300.3
5,566,400 10/1996 Jonec 4/144.4

[76] Inventor: **Terry Lewis, Sr.**, Pottsburg Post Office
3650 Southside Blvd., Jax., Fla. 32216

Primary Examiner—Eric Watterson

[**] Term: **14 Years**

[57] **CLAIM**

The ornamental design for a urinal drip plate, as shown.

[21] Appl. No.: **29/058,776**

DESCRIPTION

[22] Filed: **Aug. 22, 1996**

[51] **LOC (7) Cl.** **23-02**

FIG. 1 is a top perspective view of a urinal drip plate, showing my new design;

[52] **U.S. Cl.** **D23/310; D23/309; 4/237**

FIG. 2 is a bottom perspective view, with the locking plate attached;

[58] **Field of Search** **D23/309, 310; 4/237, 300.3, 415, DIG. 5**

FIG. 3 is a bottom plan view thereof;

FIG. 4 is a top perspective view of the locking plate portion of the claimed design; and,

FIG. 5 is a perspective view of the urinal drip plate, in use condition.

[56] **References Cited**

U.S. PATENT DOCUMENTS

D. 262,648	1/1982	Lemmon	D23/307
D. 386,571	11/1997	Wilhelm	D23/303
D. 399,936	10/1998	Scherer et al.	D23/303
5,448,783	9/1995	Ryan	4/300.3

The broken line showing is for illustrative purposes only and forms no part of the claimed design.

1 Claim, 5 Drawing Sheets

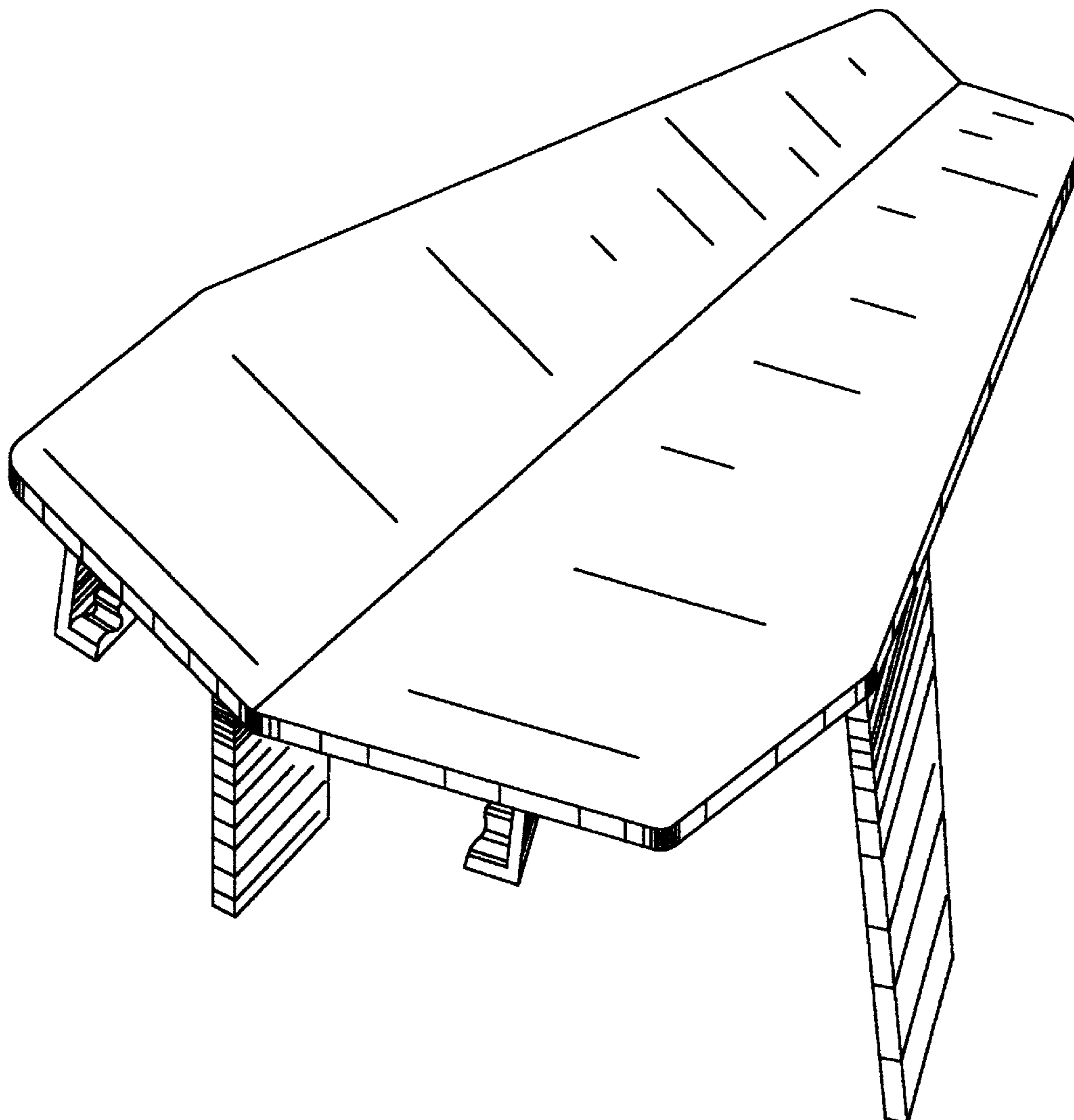


Fig. 1

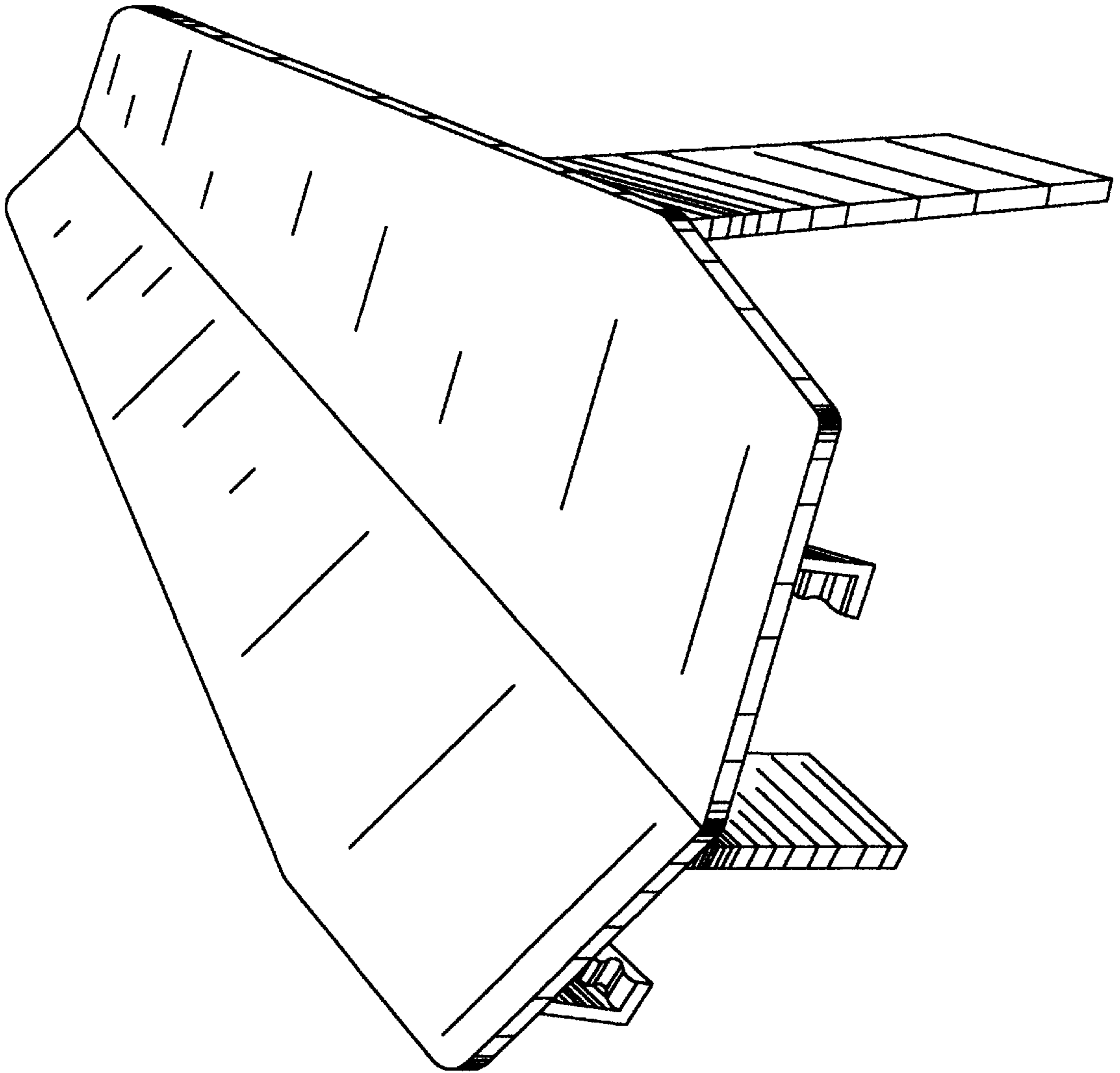


Fig. 2

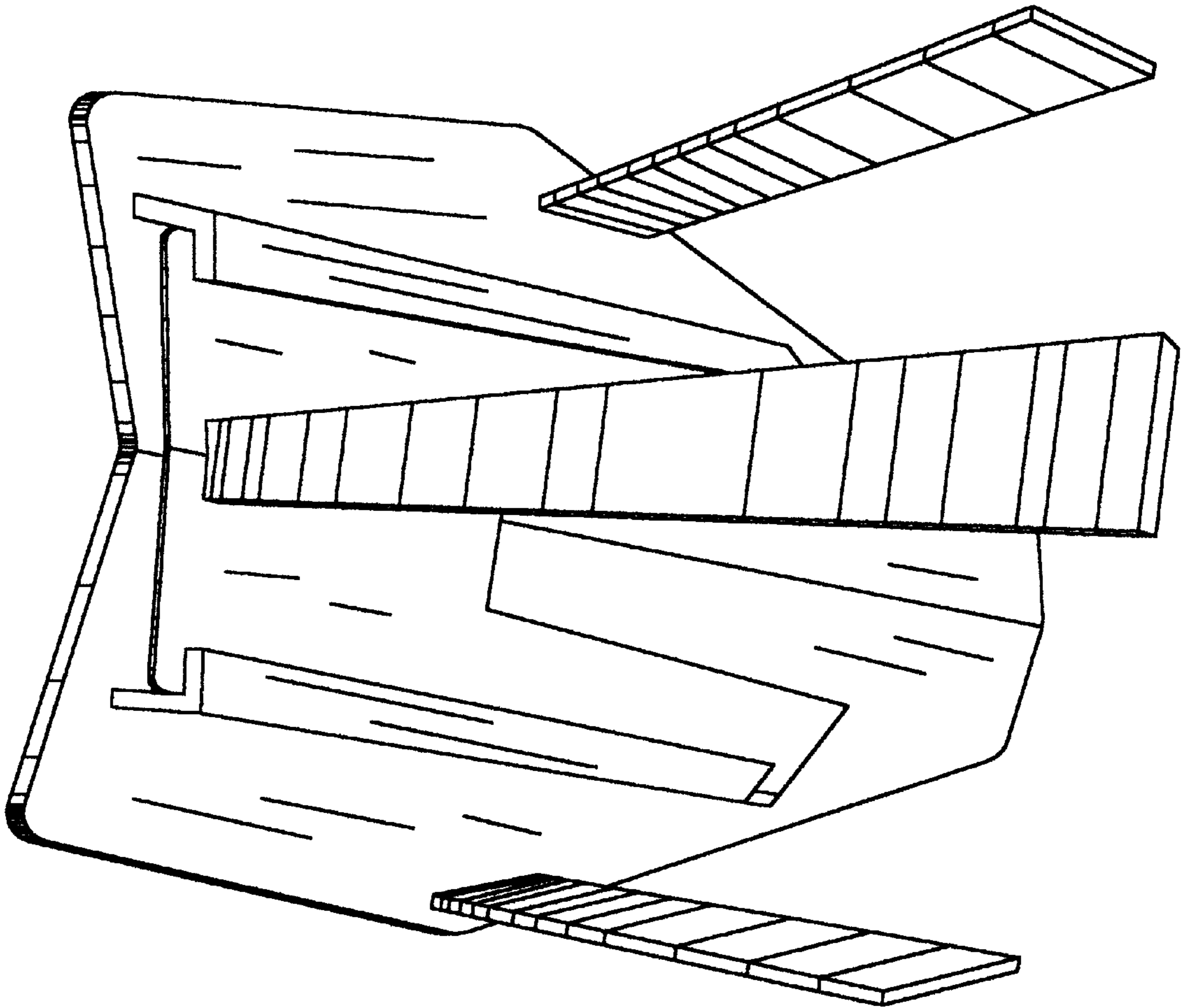


Fig. 3

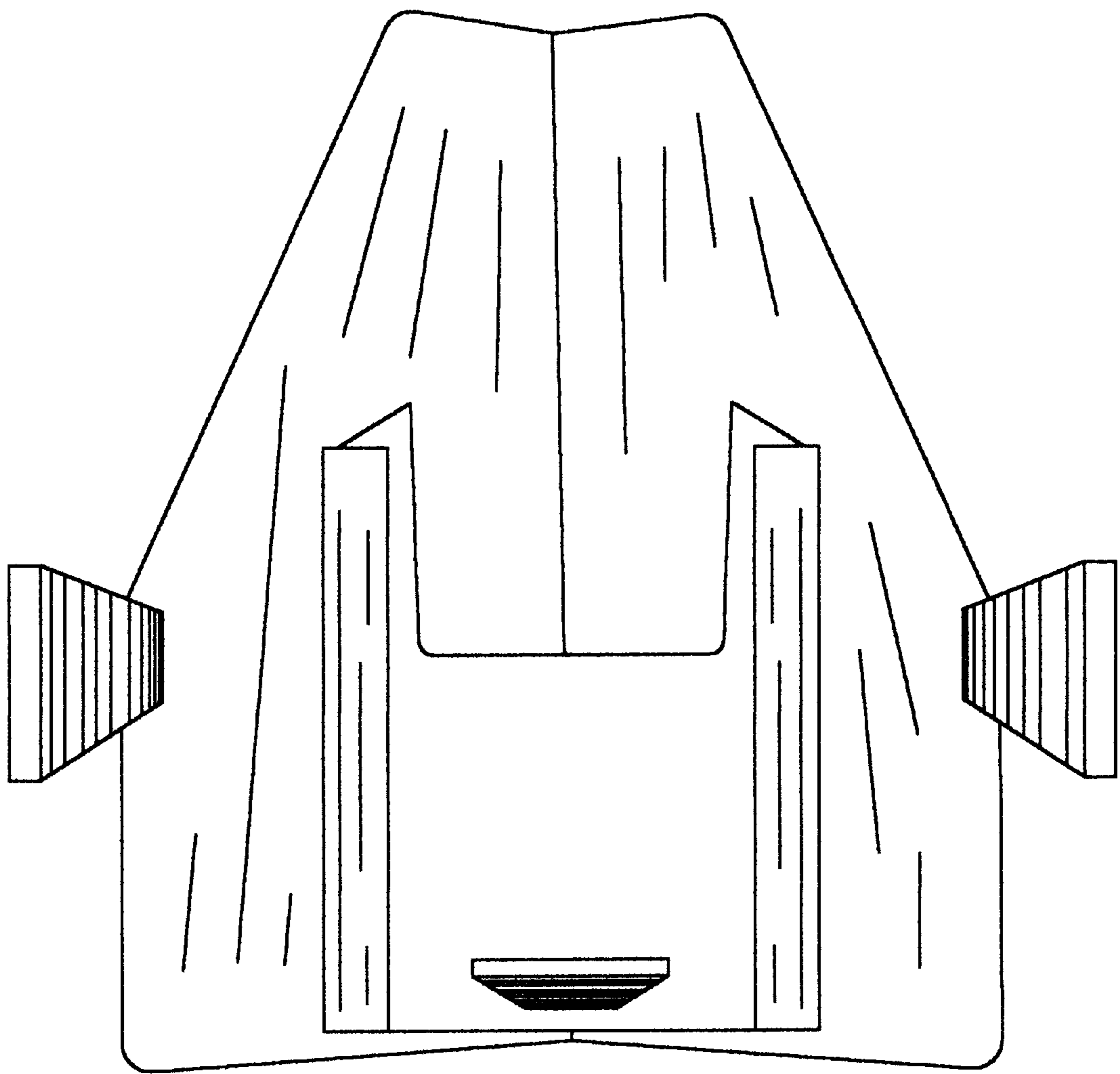


Fig. 4

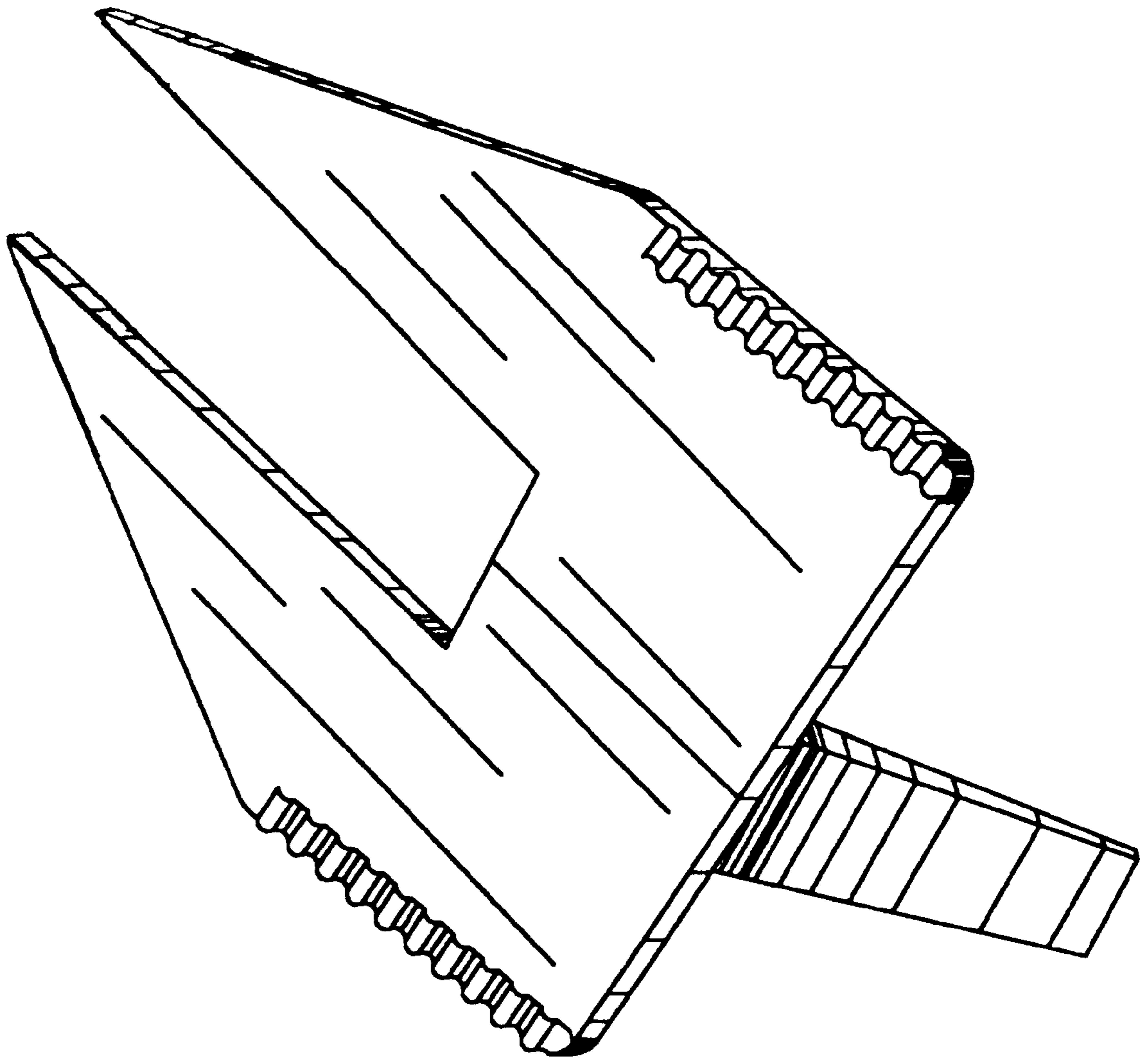


Fig. 5

