



US00D428477S

United States Patent [19]
O’Connell et al.

[11] **Patent Number: Des. 428,477**
[45] **Date of Patent: ** Jul. 18, 2000**

- [54] **SINK**
- [75] Inventors: **David J. O’Connell; Mary J. Reid,**
both of Sheboygan, Wis.
- [73] Assignee: **Kohler Co., Kohler, Wis.**
- [**] Term: **14 Years**
- [21] Appl. No.: **29/102,705**
- [22] Filed: **Mar. 30, 1999**
- [51] **LOC (7) Cl. 23-02**
- [52] **U.S. Cl. D23/290; D23/272**
- [58] **Field of Search D23/284–293.1,**
D23/303–311, 220–274; D7/343–347, 339;
4/619, 624, 625, 638–650

[56] **References Cited**

U.S. PATENT DOCUMENTS

D. 285,280	8/1986	Fischer et al.	D7/346
D. 320,263	9/1991	Kohler, Jr. et al.	D23/293.1
D. 326,387	5/1992	Monitto et al.	D7/346
D. 376,066	12/1996	Taniguchi et al.	D7/339
D. 393,567	4/1998	Ashcraft et al.	D7/346
D. 397,213	8/1998	Bonnell	D23/290
D. 398,970	9/1998	Gardner et al.	D23/290
D. 400,237	10/1998	Millard et al.	D23/293.1
D. 402,358	12/1998	Bonnell	D23/290

OTHER PUBLICATIONS

- 1997 Kohler catalog ad, p. 16.37, showing a “Ravinia” single basin kitchen sink.
- 1997 Kohler catalog ad, p. 16.12, showing a “Cilantro” sink.
- Undated Abbaka catalog ad showing a “C380D” kitchen sink, admitted prior art.

1998 Kohler catalog ad, p. 2.68, showing “Mastershower” valves.

1993 Franke catalog ad, p. 22, showing a kitchenette.
1996 Riele catalog ad showing a “P10/34” pantry.

Primary Examiner—Eric Watterson
Attorney, Agent, or Firm—Quarles & Brady LLP

[57] **CLAIM**

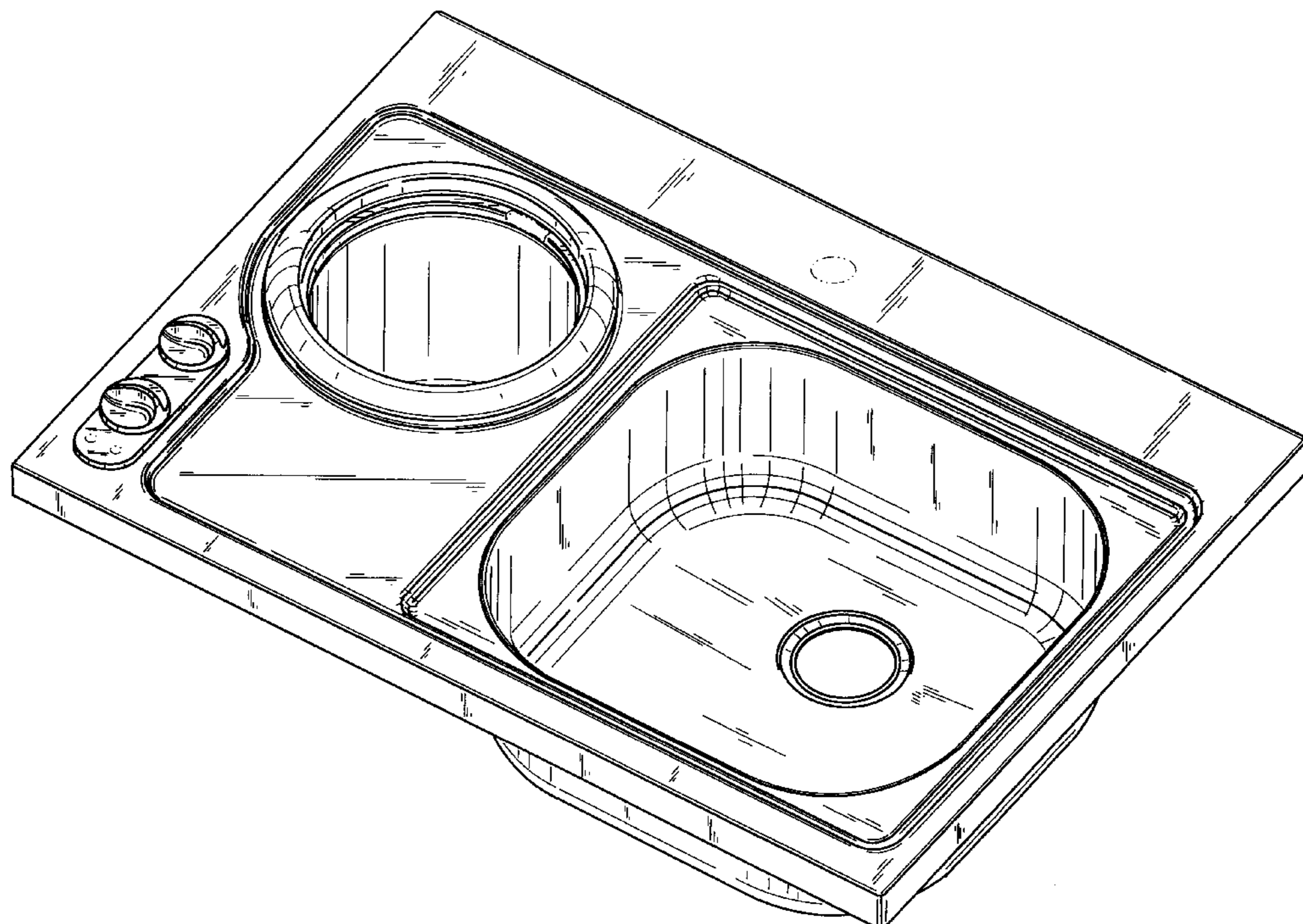
The ornamental design for a sink, as shown and described.

DESCRIPTION

FIG. 1 is a right, top, front perspective view of a sink embodying our new design;
 FIG. 2 is a top plan view thereof;
 FIG. 3 is a front elevational view thereof;
 FIG. 4 is a right side elevational view thereof;
 FIG. 5 is a rear elevational view thereof;
 FIG. 6 is a left side elevational view thereof;
 FIG. 7 is a cross-sectional view taken along line 7—7 of FIG. 2; and,
 FIG. 8 is a left, top, front perspective view of a second embodiment, the top plan view being a mirror image of that shown in FIG. 2, the front elevational view being a mirror image of that shown in FIG. 3, the left side elevational view being a mirror image of that shown in FIG. 4, the rear elevational view being a mirror image of that shown in FIG. 5, and the right side elevational view being a mirror image of that shown in FIG. 6.

The broken line representations of non-ornamental structure in FIGS. 3–7, of a drain in FIGS. 2 and 7, and of holes in FIGS. 1, 2, and 8, are for the purposes of illustration only, and form no part of the claimed design.

1 Claim, 8 Drawing Sheets



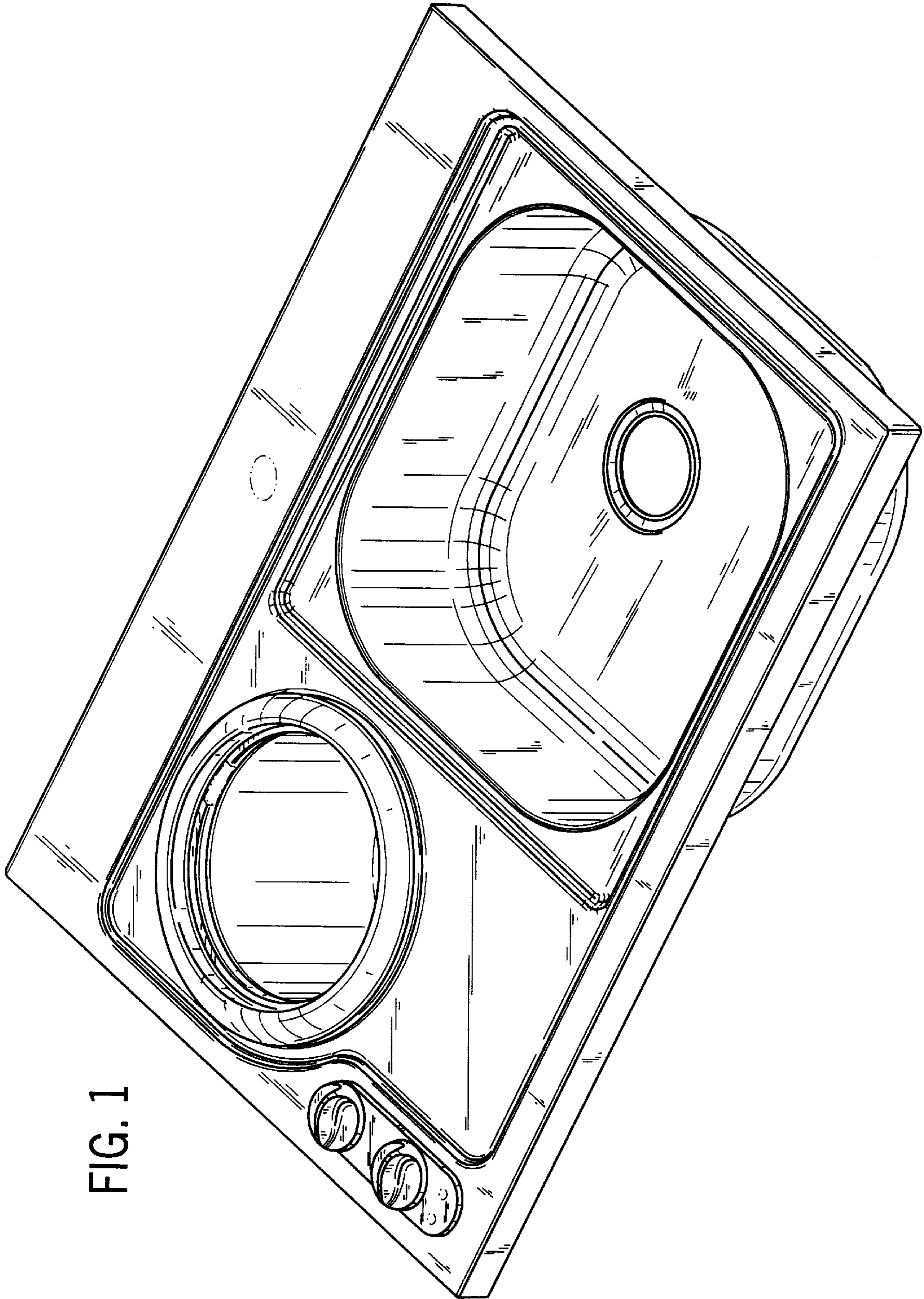


FIG. 1

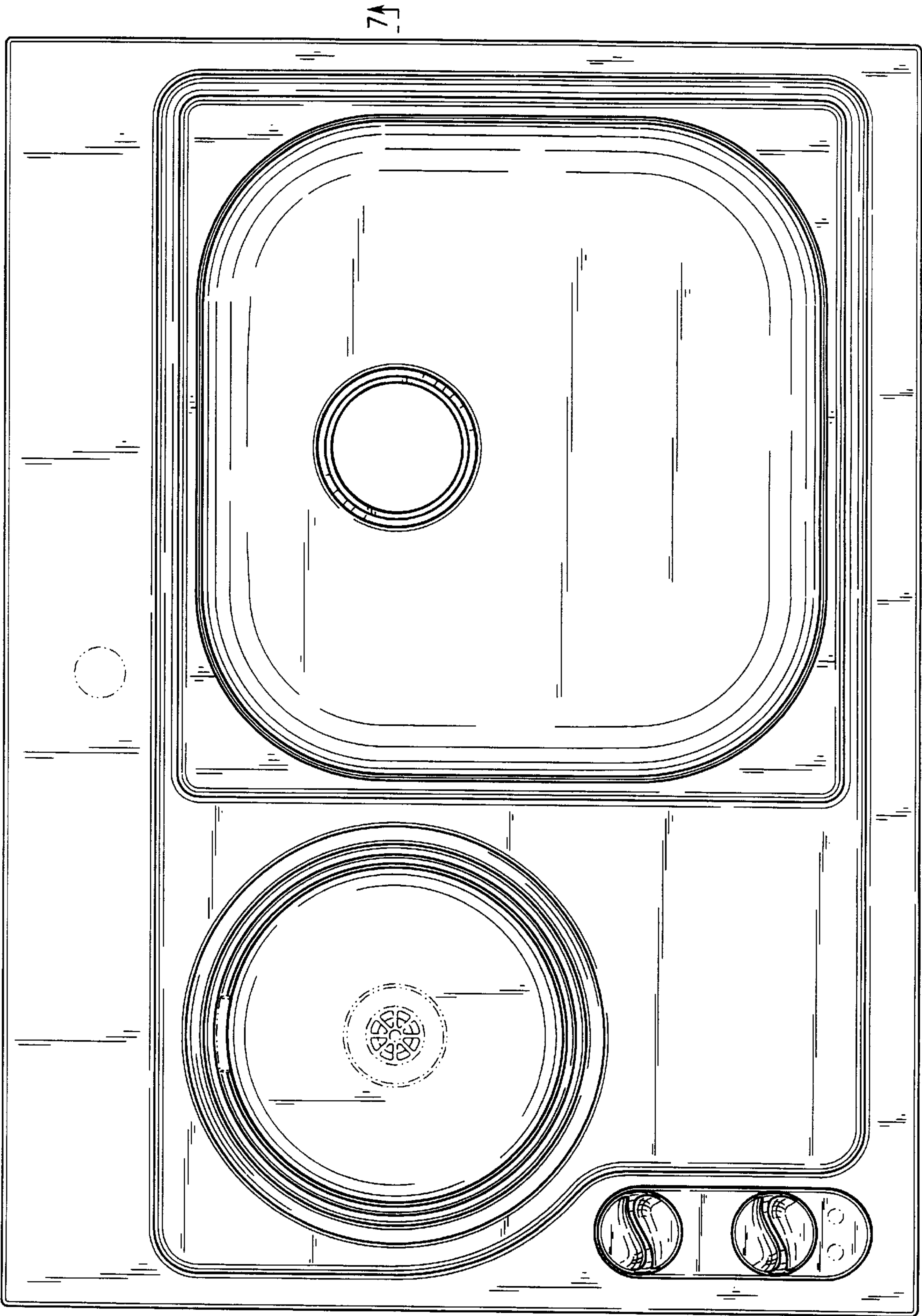


FIG. 2

FIG. 3

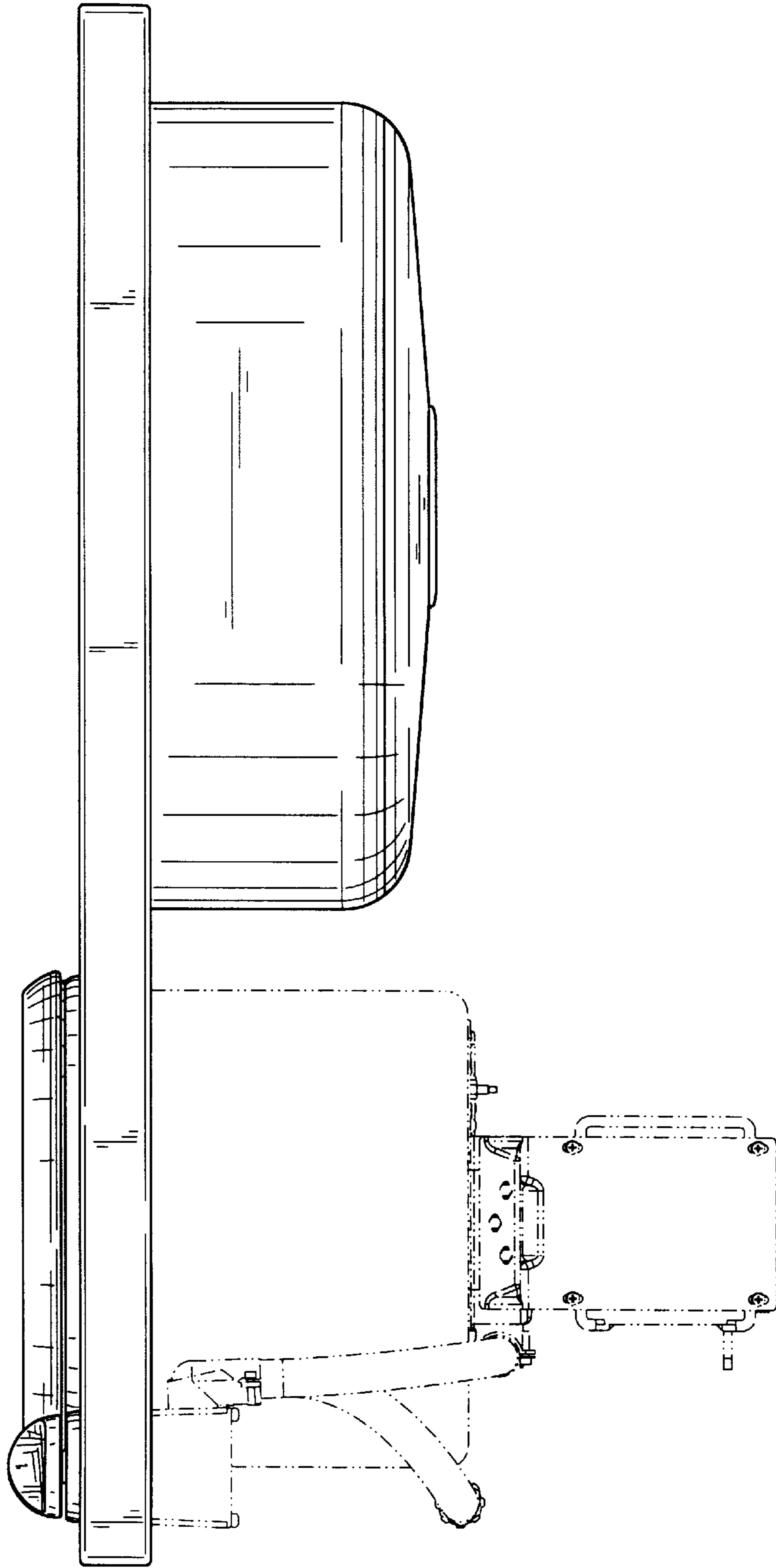


FIG. 4

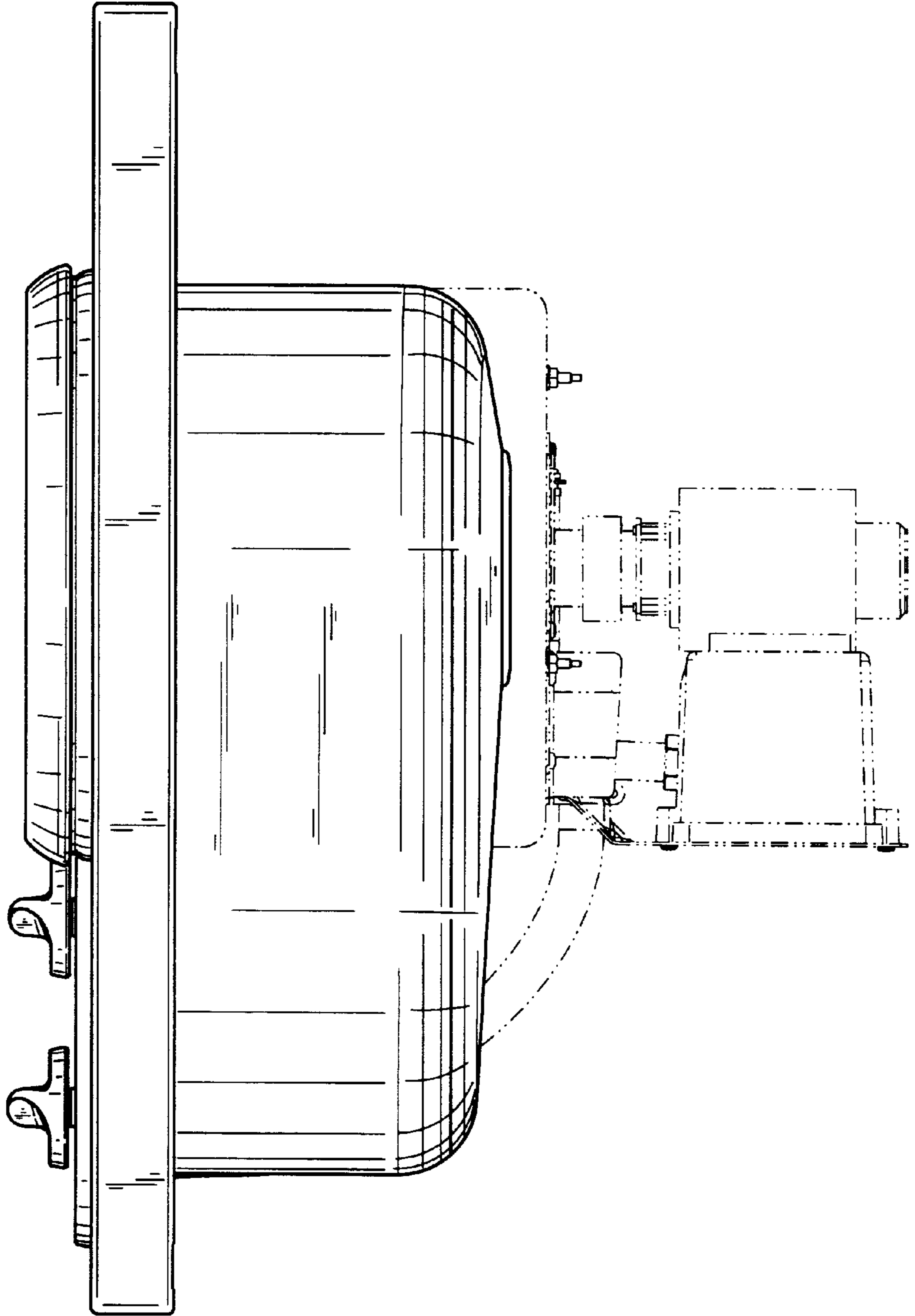


FIG. 5

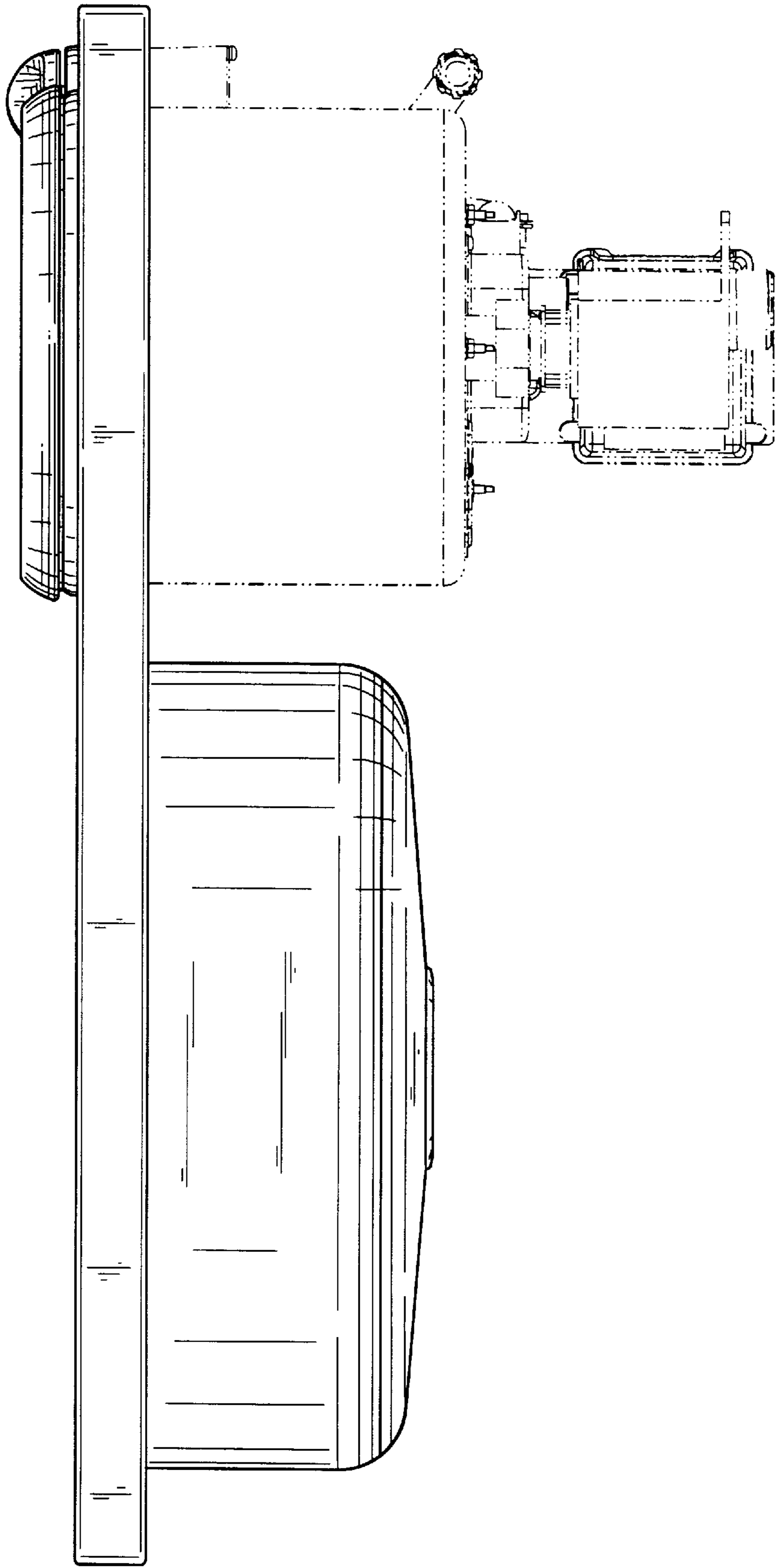


FIG. 6

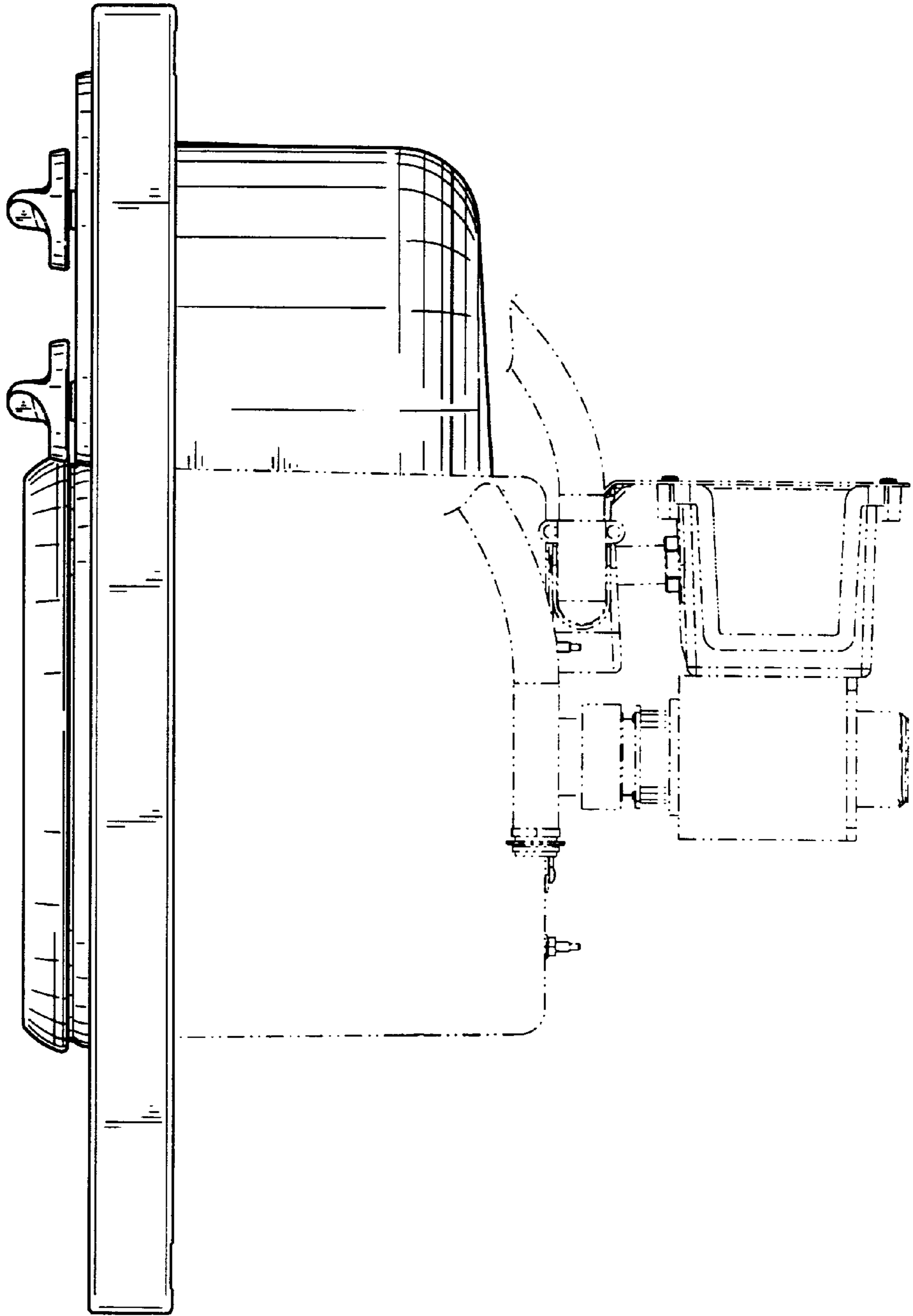
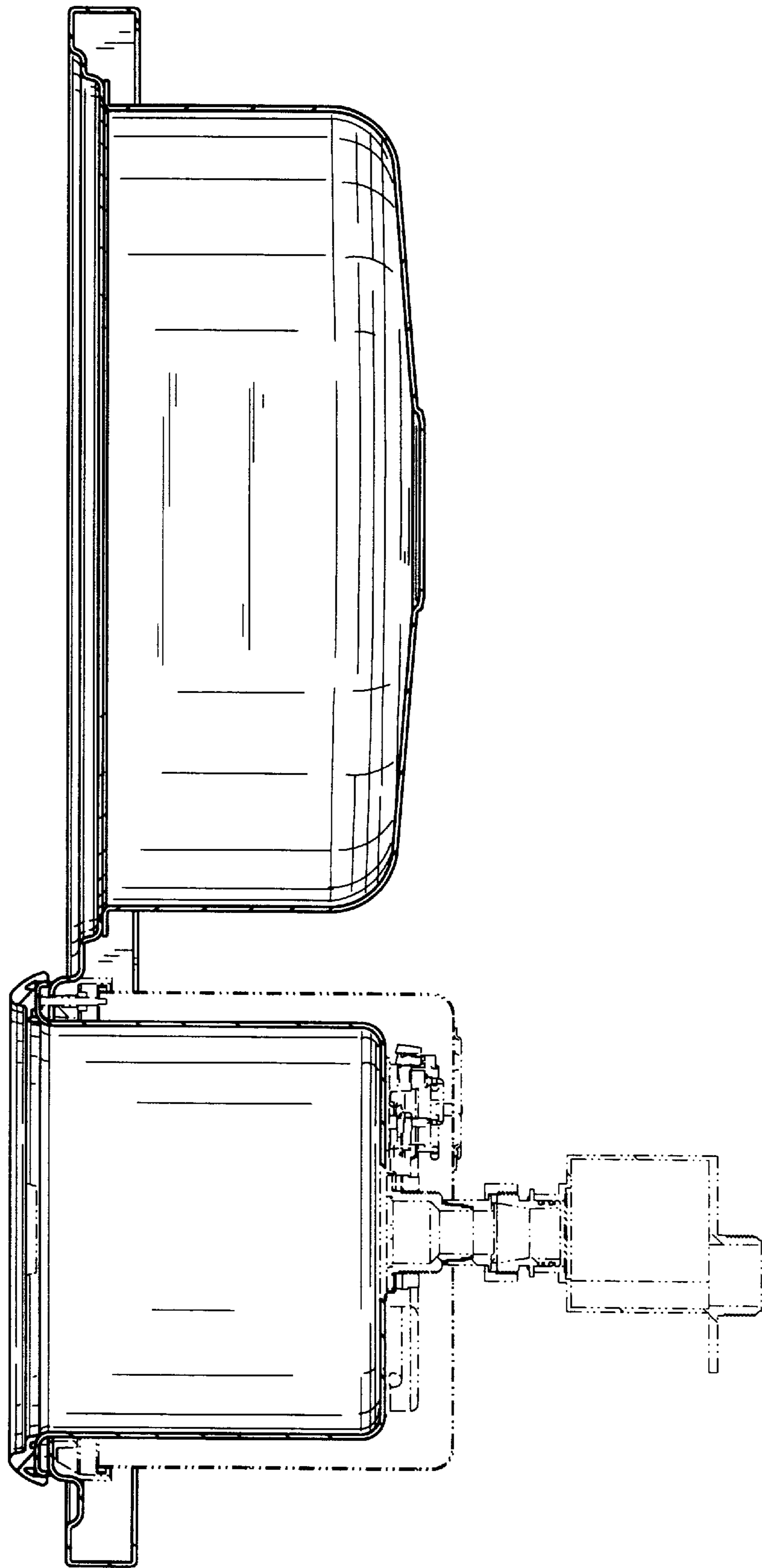


FIG. 7



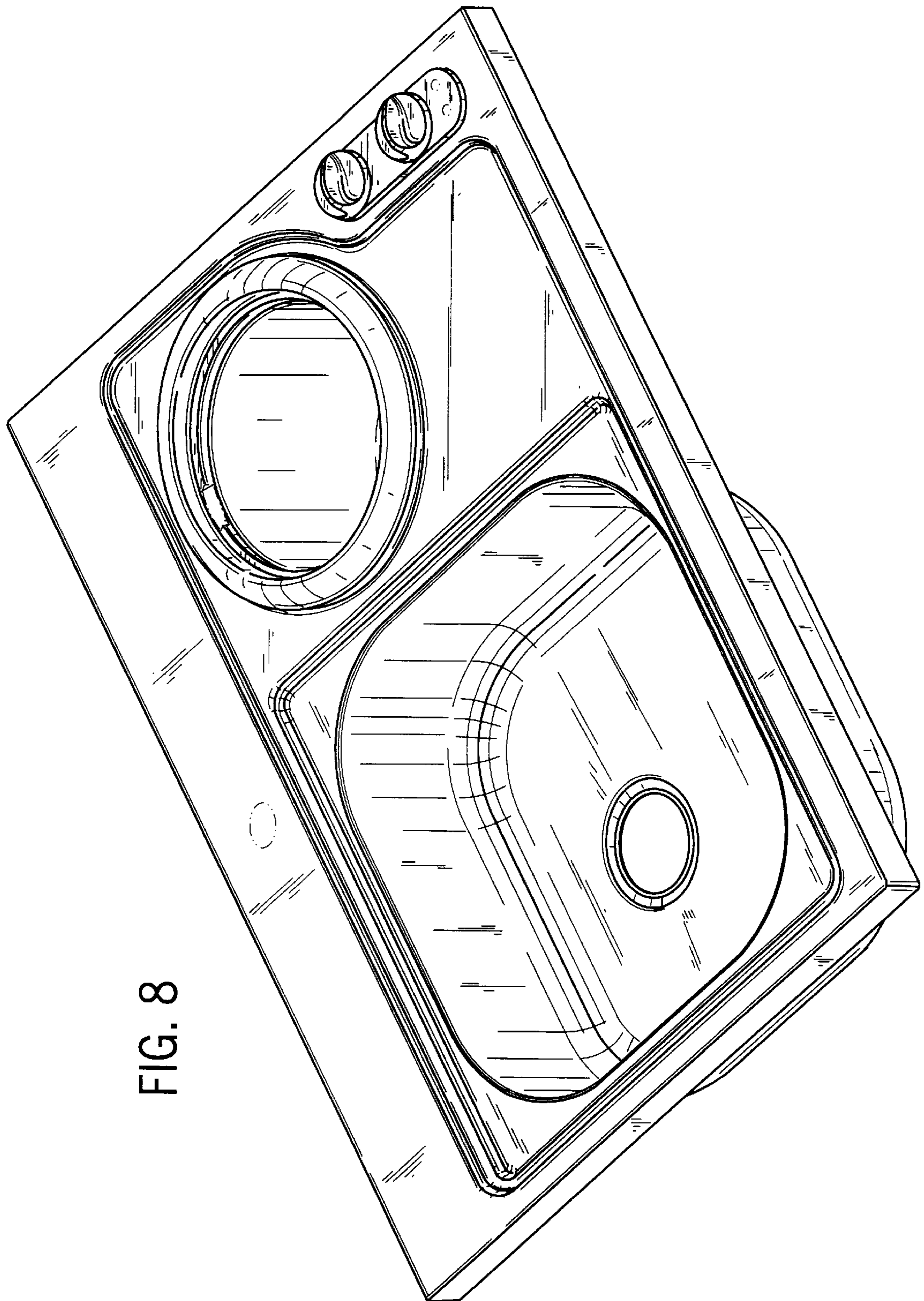


FIG. 8