



US00D428476S

# United States Patent [19]

**Abolafia**

[11] **Patent Number: Des. 428,476**

[45] **Date of Patent: \*\* Jul. 18, 2000**

[54] **SINK**

[76] **Inventor: Mark Abolafia, 521 W. 23<sup>rd</sup> St., New York, N.Y. 10011**

[\*\*] **Term: 14 Years**

[21] **Appl. No.: 29/110,824**

[22] **Filed: Sep. 14, 1999**

[51] **LOC (7) Cl. .... 23-02**

[52] **U.S. Cl. .... D23/284**

[58] **Field of Search ..... D23/284-293.1; 4/619, 624, 626, 638-650**

- D. 384,404 9/1997 Kergoet ..... D23/284
- D. 390,928 2/1998 Slothower ..... D23/284
- D. 401,677 11/1998 Garza ..... D23/284
- D. 408,898 4/1999 Kaiser ..... D23/284
- D. 415,261 10/1999 Thomas ..... D23/284

*Primary Examiner—Eric Watterson  
Attorney, Agent, or Firm—Steven Horowitz*

### [57] CLAIM

The ornamental design for a sink, as shown and described.

### DESCRIPTION

FIG. 1 is a side elevational view, the opposite side identical, of a sink showing my new design; FIG. 2 is a top plan view thereof; FIG. 3 is a front view thereof; and, FIG. 4 is a bottom view thereof.

### [56] References Cited

#### U.S. PATENT DOCUMENTS

- D. 328,338 7/1992 Ragonot ..... D23/284
- D. 337,376 7/1993 Ragonot ..... D23/284

**1 Claim, 4 Drawing Sheets**

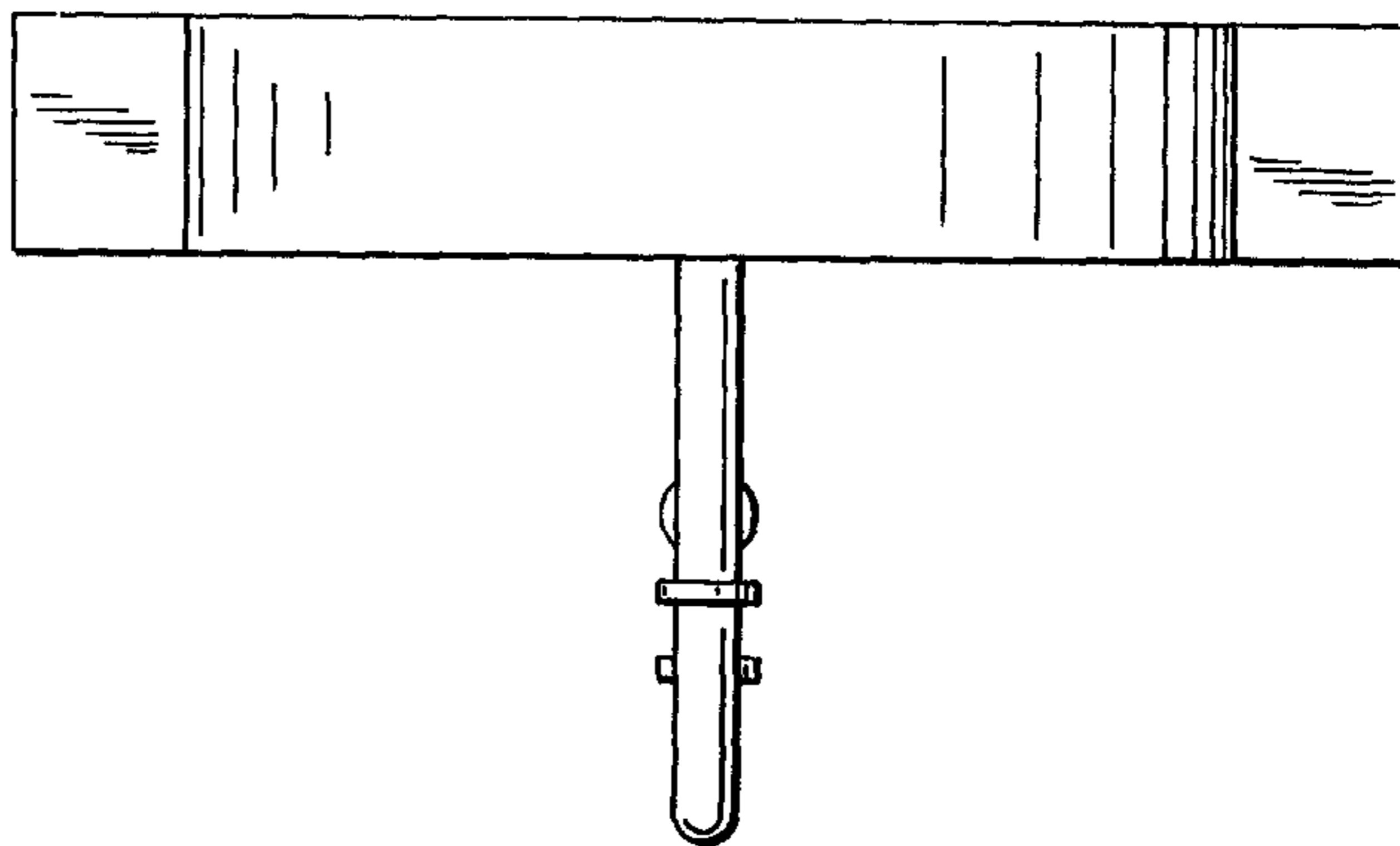
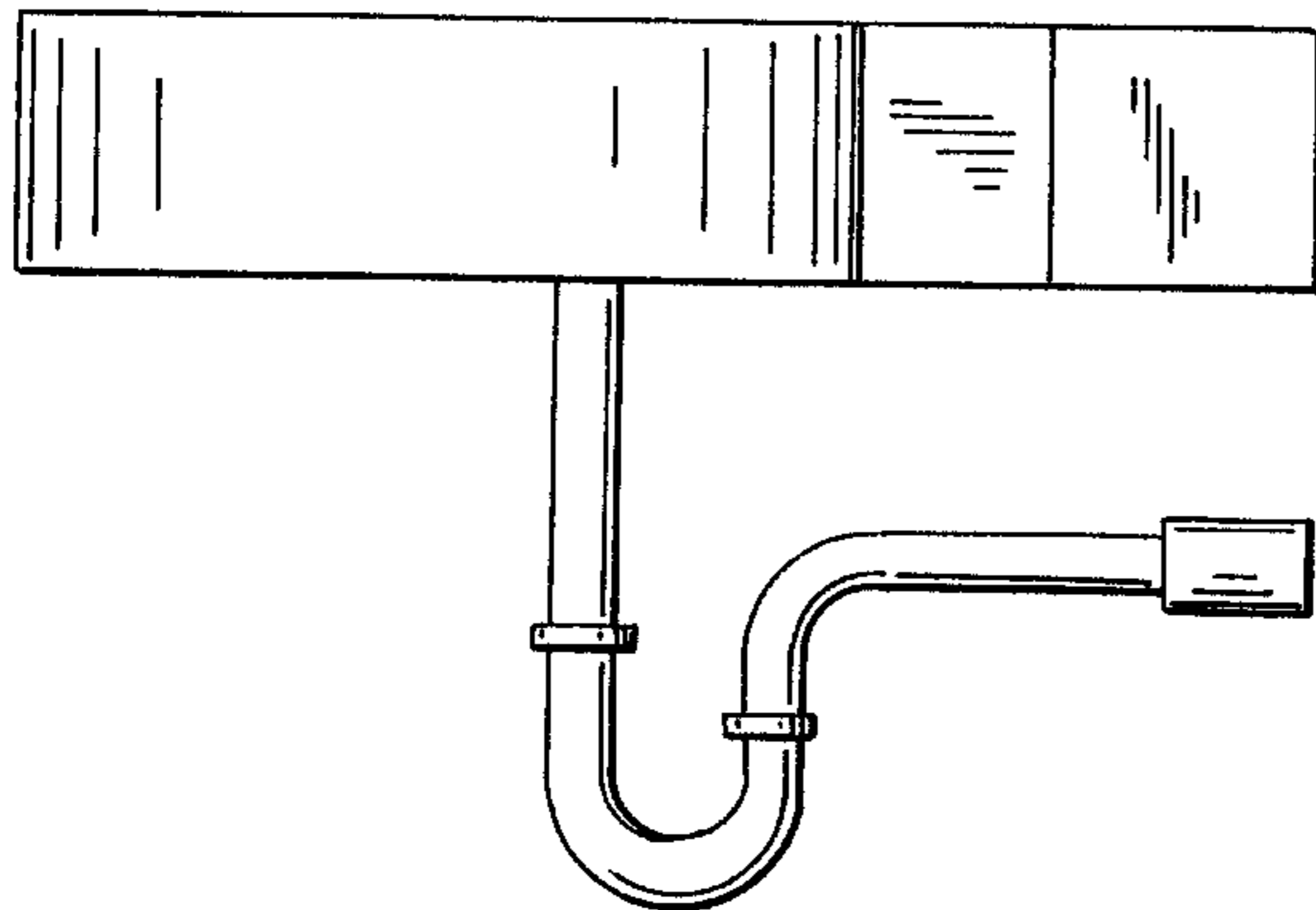
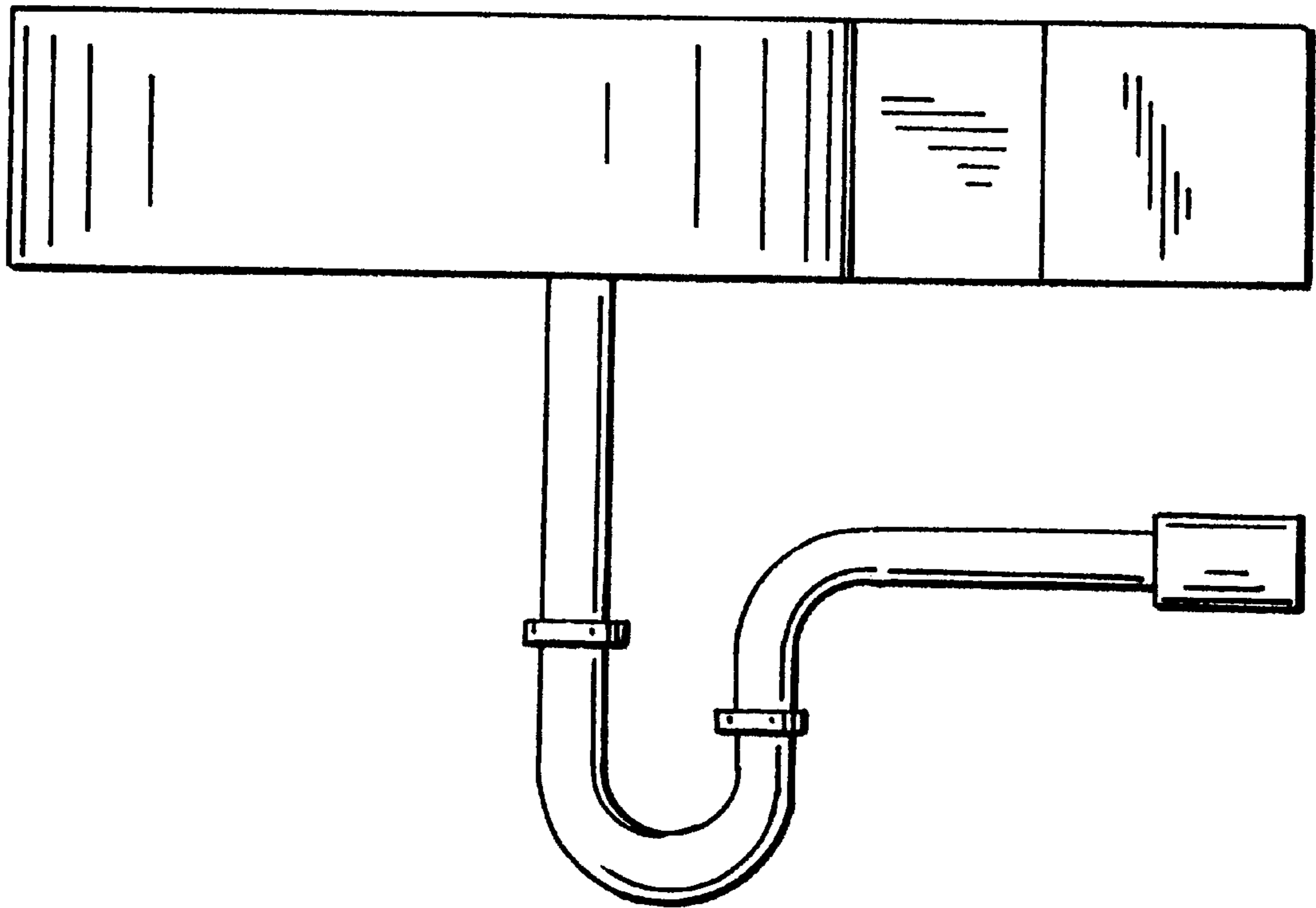


FIG. 1



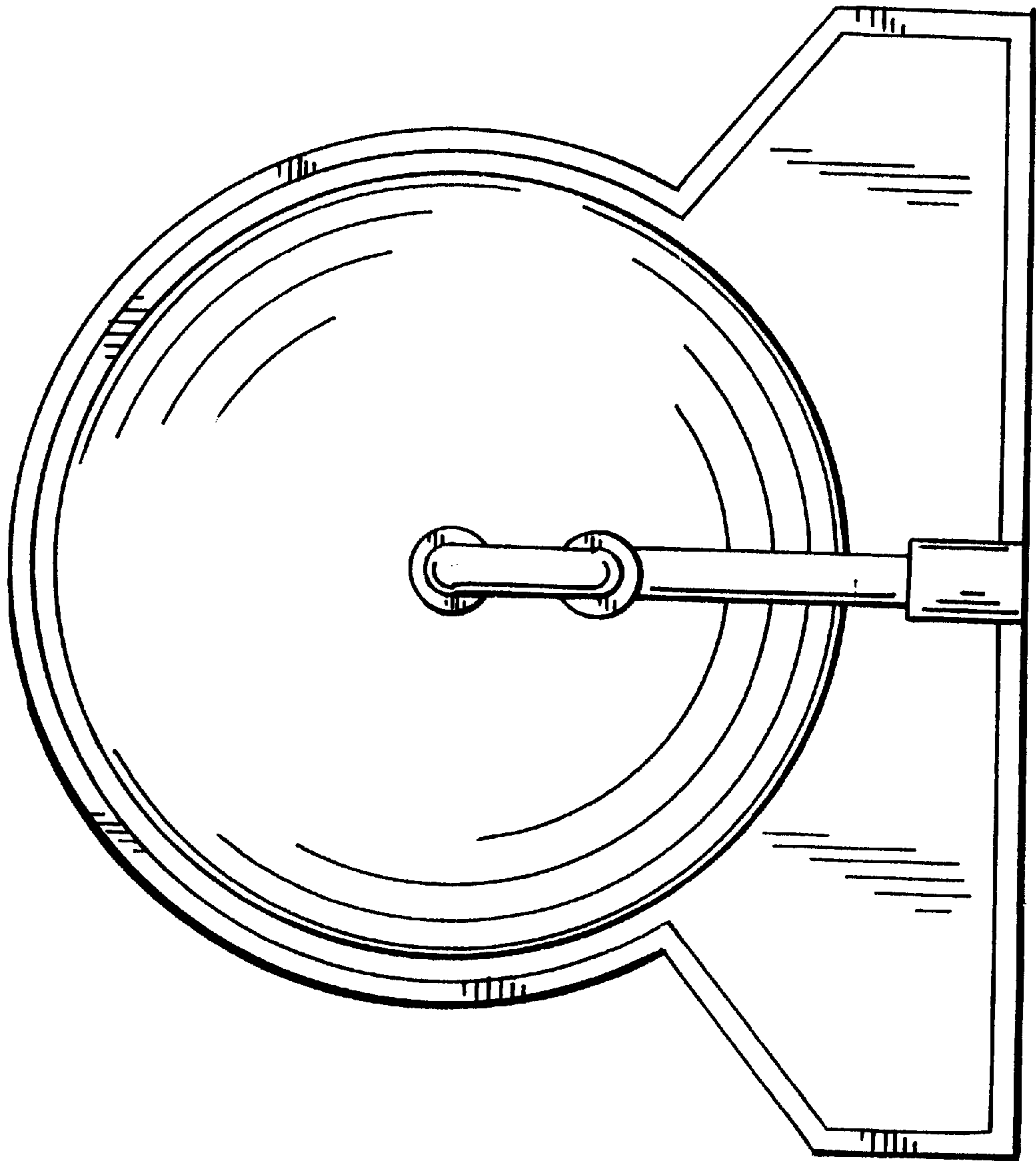
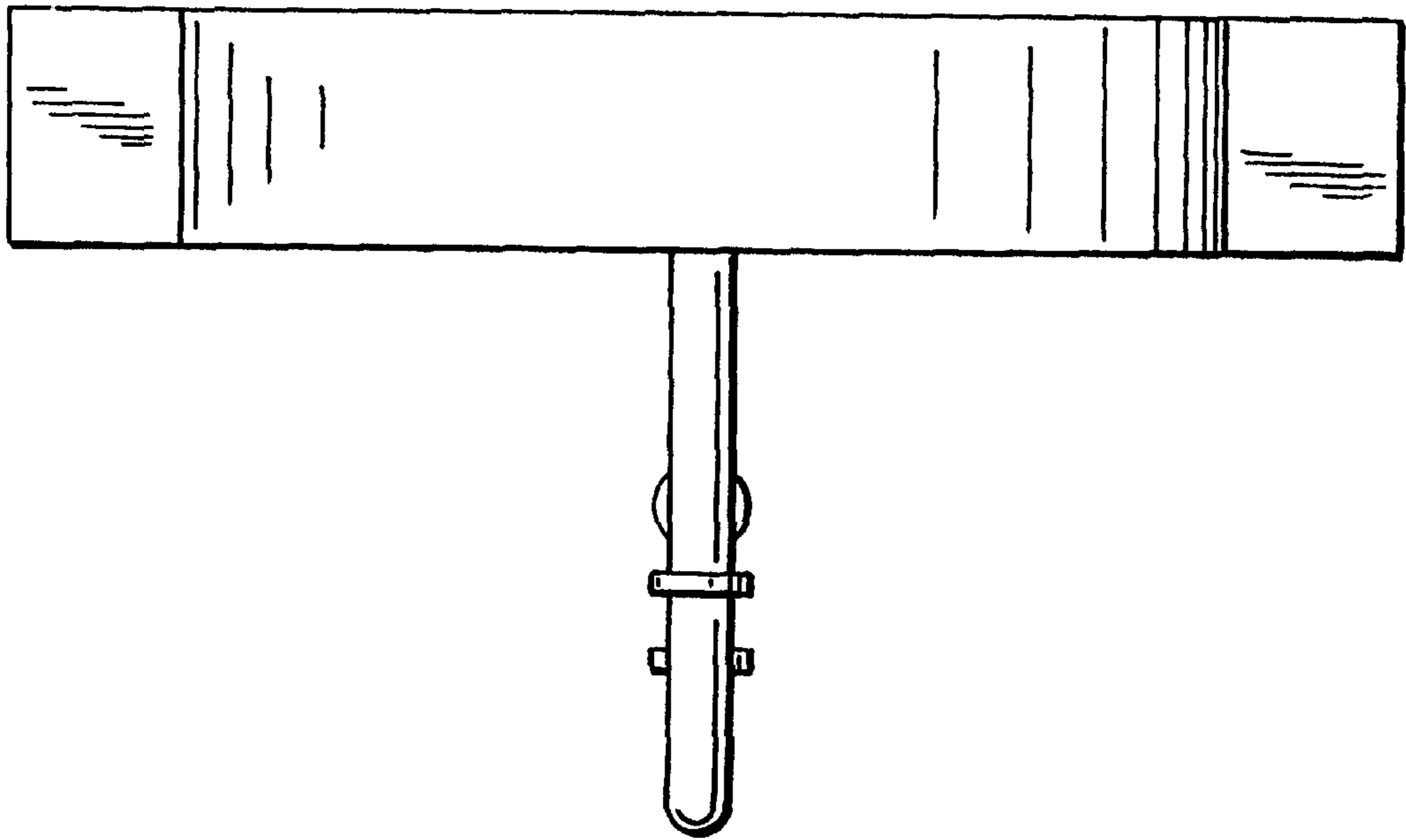


FIG. 2

FIG. 3



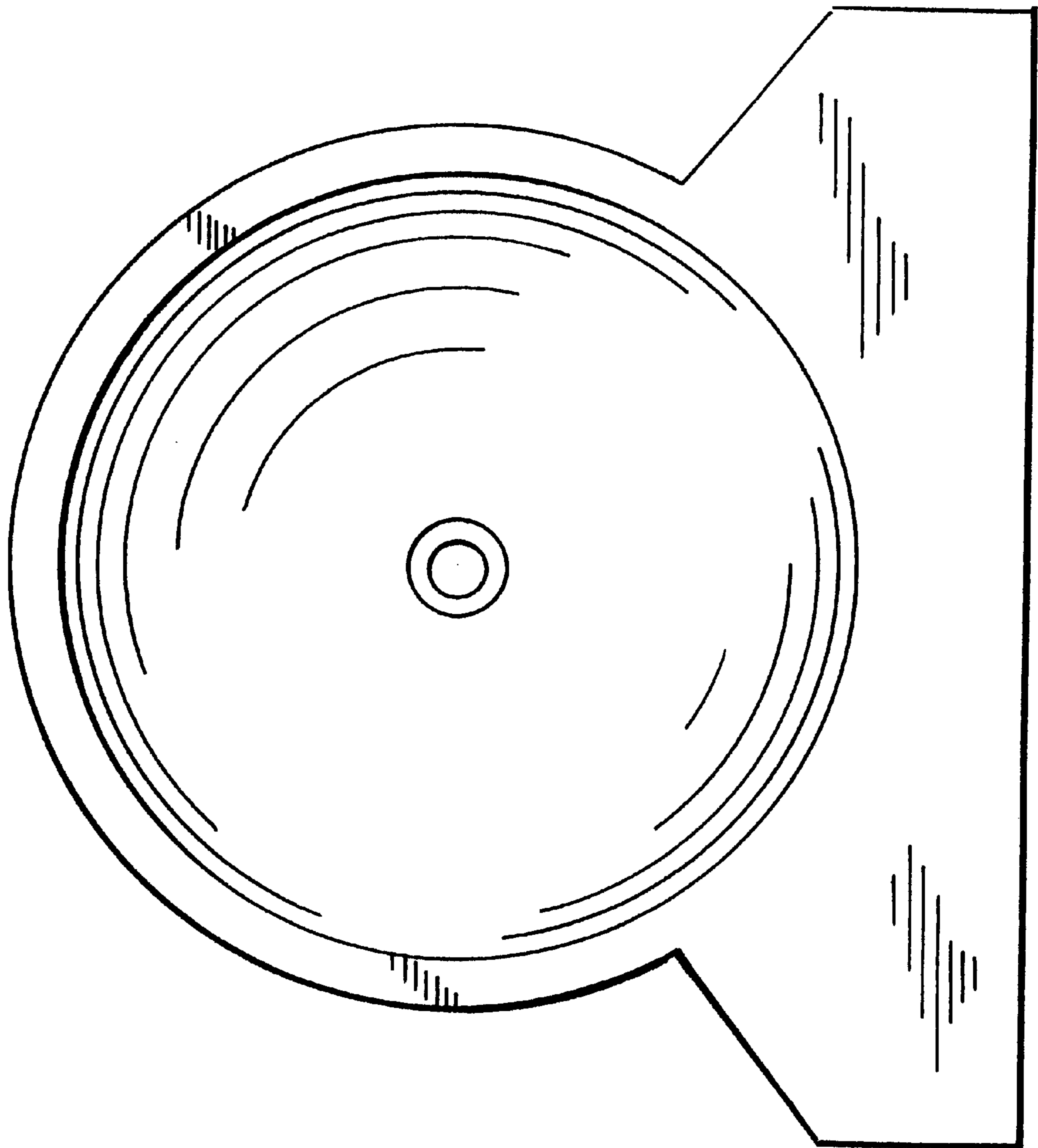


FIG. 4