



US00D428473S

# United States Patent [19]

Milrud et al.

[11] Patent Number: Des. 428,473

[45] Date of Patent: \*\* Jul. 18, 2000

[54] **KITCHEN FAUCET BODY**

[75] Inventors: **Eduardo Milrud**, Chagrin Falls; **Mark J. Sindelar**, Shaker Heights; **Douglas A. Kemp**, North Ridgeville, all of Ohio

[73] Assignee: **Moen Incorporated**, North Olmsted, Ohio

[\*\*] Term: **14 Years**

[21] Appl. No.: **29/103,852**

[22] Filed: **Apr. 22, 1999**

[51] **LOC (7) Cl.** ..... **23-01**

[52] **U.S. Cl.** ..... **D23/241**

[58] **Field of Search** ..... D23/238-243, D23/250-257; 4/675-678; 137/801

- D. 80,439 2/1930 Fraser .
- D. 94,760 3/1935 Hitchcock .
- D. 149,386 4/1948 Smolensky .
- D. 163,545 6/1951 Smolensky .
- D. 182,867 5/1958 Young .
- D. 242,454 11/1976 Jones .
- D. 242,455 11/1976 Jones .
- D. 250,727 1/1979 Jones .
- D. 258,519 3/1981 Thevenot .
- D. 258,676 3/1981 Colani .
- D. 286,561 11/1986 Yost .
- D. 353,442 12/1994 Formgren ..... D23/241

*Primary Examiner*—Eric Watterson  
*Attorney, Agent, or Firm*—McEachran, Jambor, Keating, Bock & Kurtz

[57] **CLAIM**

The ornamental design for a kitchen faucet body, as shown and described.

[56] **References Cited**

**U.S. PATENT DOCUMENTS**

- D. 25,458 5/1896 Mackin .
- D. 31,599 10/1899 Hills .
- D. 45,574 4/1914 Speakman .
- D. 45,787 5/1914 Bockelman .
- D. 62,740 7/1923 Muend .
- D. 62,864 8/1923 Benjamin .
- D. 67,520 6/1925 Harper .
- D. 72,505 4/1927 Van Eweyk .
- D. 77,022 11/1928 Mueller .
- D. 77,024 11/1928 Mueller .
- D. 78,619 5/1929 Frankenberger .

**DESCRIPTION**

FIG. 1 is a front perspective view of our new design for a kitchen faucet body;  
FIG. 2 is a bottom perspective view thereof;  
FIG. 3 is a top view thereof;  
FIG. 4 is a bottom view thereof;  
FIG. 5 is a front view thereof;  
FIG. 6 is a rear view thereof; and,  
FIG. 7 is a left side view thereof, the right side being a mirror image of the left side.

**1 Claim, 2 Drawing Sheets**

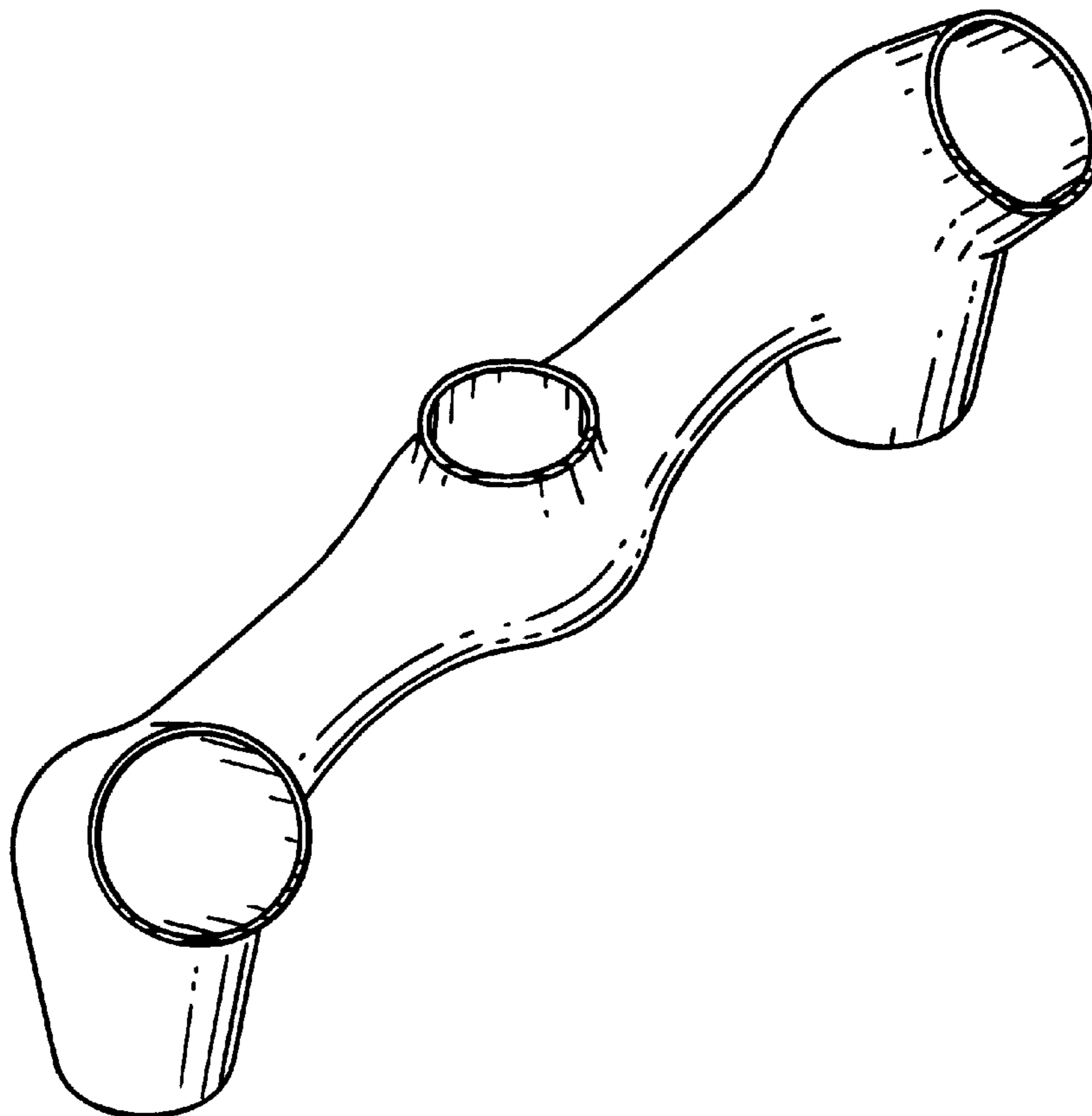


FIG. 1.

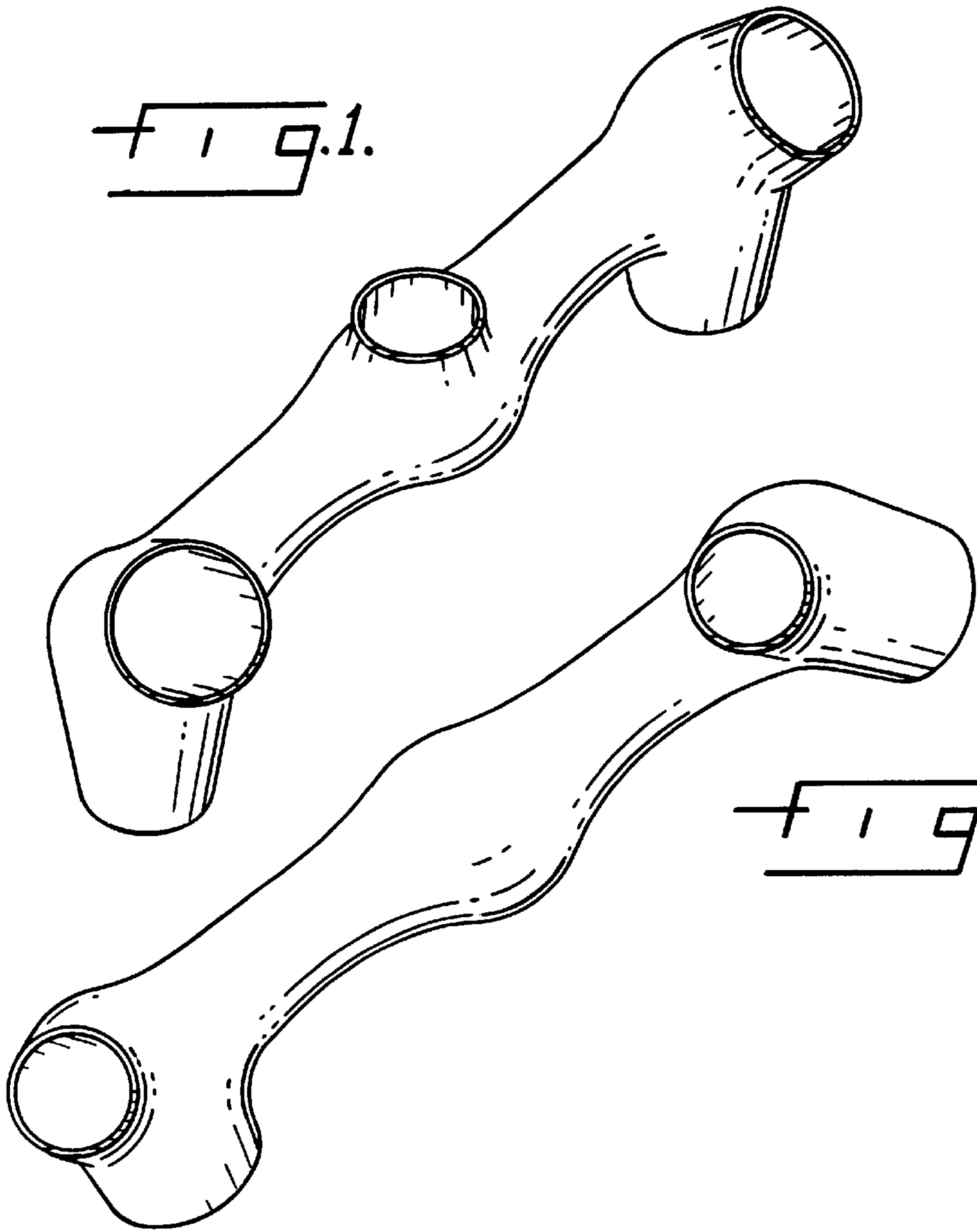


FIG. 2.

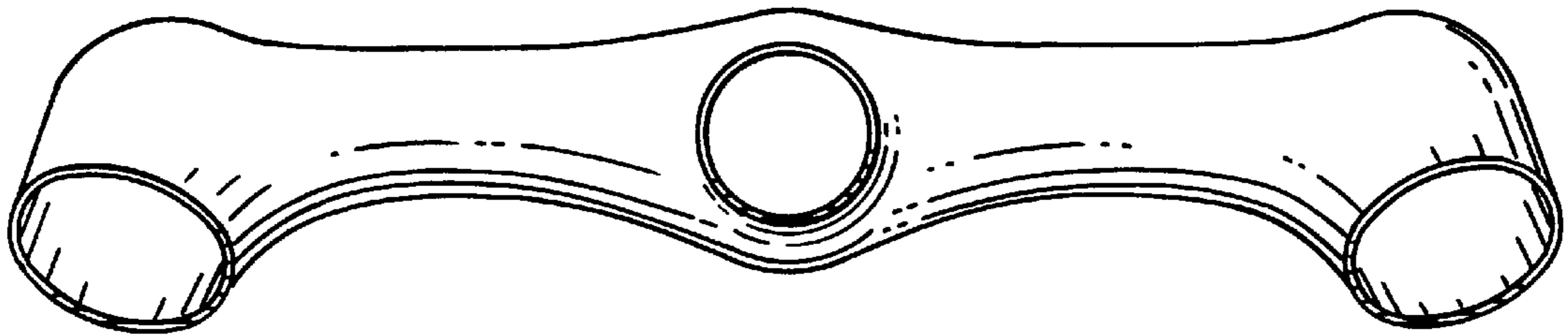


FIG. 3.

FIG. 4.

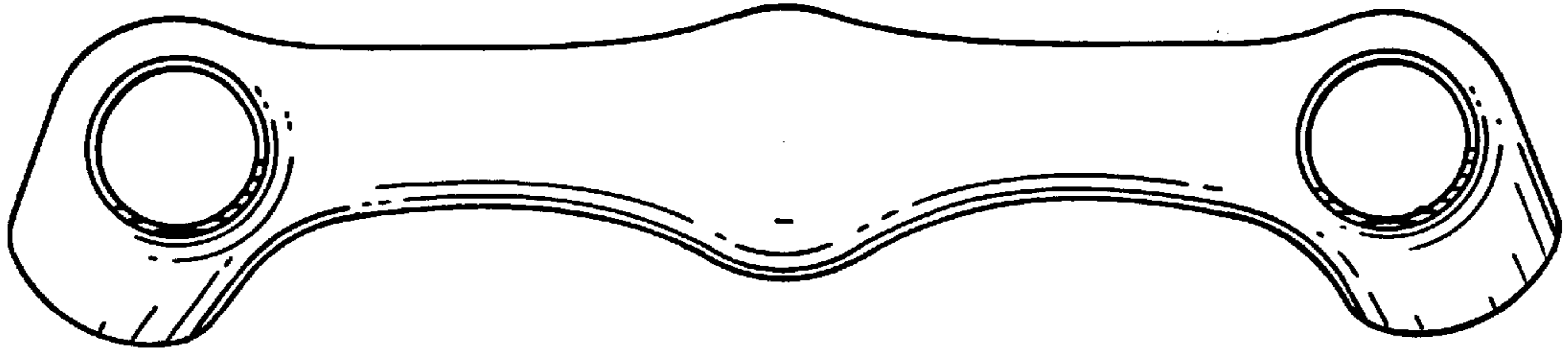


FIG. 5.

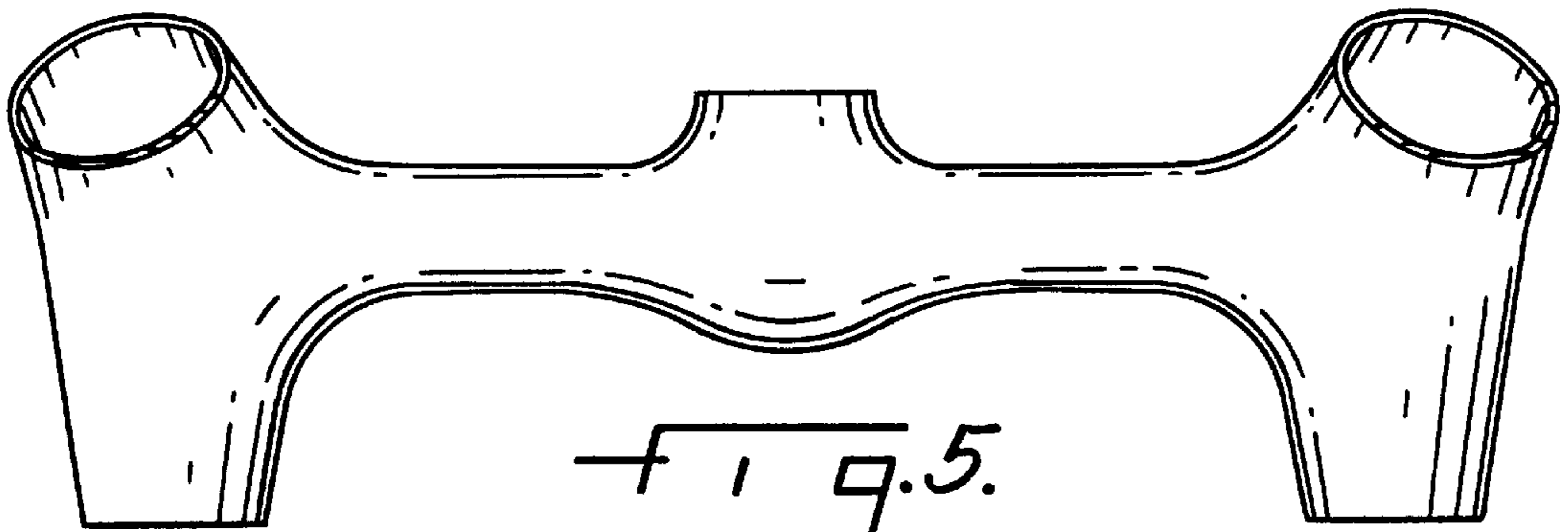


FIG. 6.

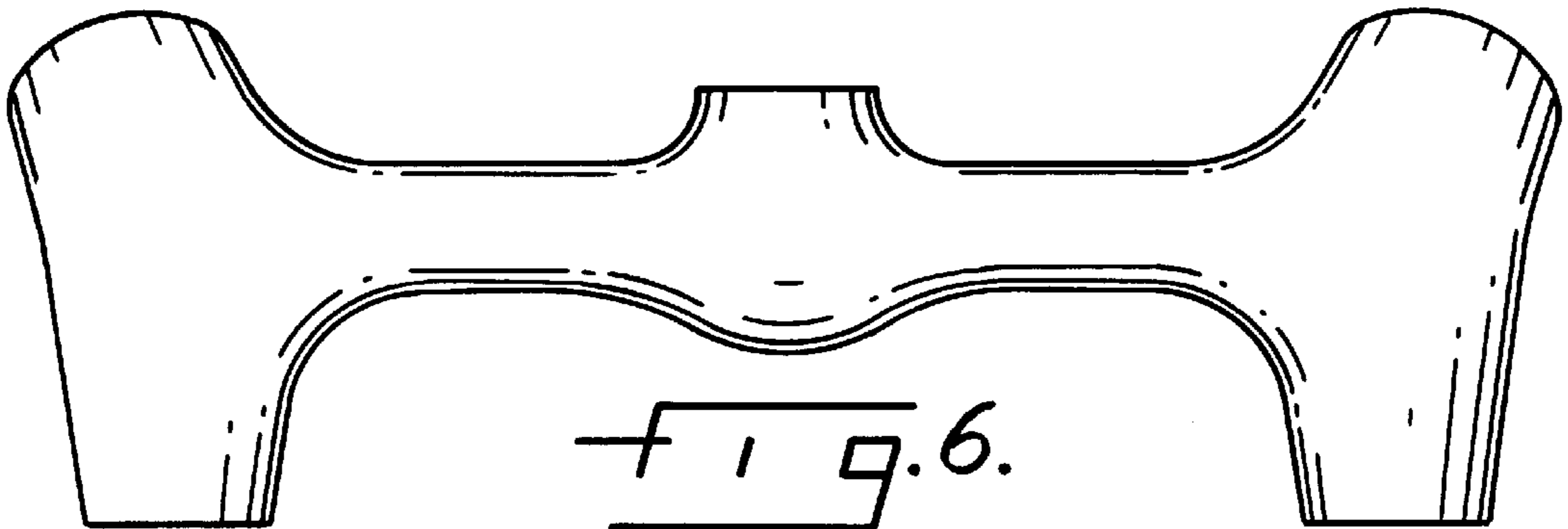


FIG. 7.

