



US00D428470S

United States Patent [19]

Bower et al.

[11] Patent Number: Des. 428,470

[45] Date of Patent: ** Jul. 18, 2000

[54] PAINT SPRAY FAN SHROUD

[75] Inventors: Robert M. Bower, Mt. Juliet; James R. England, Nashville, both of Tenn.

[73] Assignee: Campbell Hausfeld/Scott Fetzer Company, Harrison, Ohio

[**] Term: 14 Years

[21] Appl. No.: 29/109,633

[22] Filed: Aug. 19, 1999

[51] LOC (7) Cl. 23-01

[52] U.S. Cl. D23/225

[58] Field of Search D23/213, 225; D34/14, 24; 239/308, 146-7, 722; 222/608, 610; 401/195-6; 141/231

[56] References Cited

U.S. PATENT DOCUMENTS

- D. 271,038 10/1983 Anderson et al. D23/213
- D. 306,477 3/1990 Weiss D23/225
- D. 399,031 9/1998 Prosper et al. D34/24

Primary Examiner—Robin Taylor

Attorney, Agent, or Firm—Jones, Day, Reavis & Pogue

[57] CLAIM

We claim the ornamental design of a paint sprayer fan shroud, as shown and described.

DESCRIPTION

FIG. 1 is an isometric view, taken from the front, of a paint sprayer having a fan shroud embodying the ornamental design of the present invention;

FIG. 2 is an isometric view, taken from the rear, of the paint sprayer of FIG. 1;

FIG. 3 is a side view of the paint sprayer of FIG. 1;

FIG. 4 is an opposite side view of the paint sprayer of FIG. 1;

FIG. 5 is a front view of the paint sprayer of FIG. 1;

FIG. 6 is a rear view of the paint sprayer of FIG. 1;

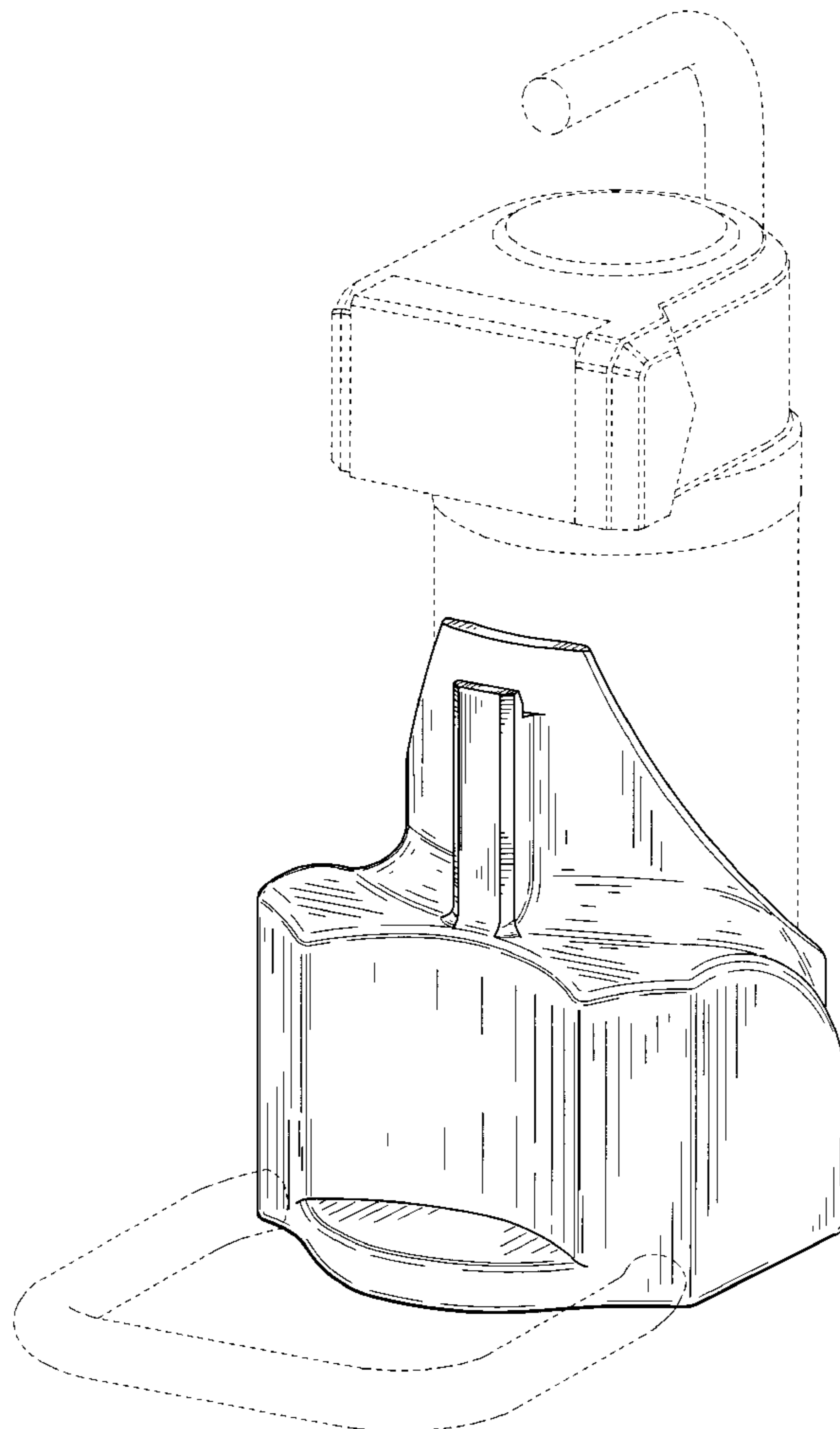
FIG. 7 is a top view of the paint sprayer of FIG. 1;

FIG. 8 is a bottom view of the paint sprayer of FIG. 1; and,

FIG. 9 is a view similar to FIG. 1 showing a paint bucket mounted on the paint sprayer.

The broken line showings in FIG. 1-9 are for illustrative purposes only and form no part of the claimed design.

1 Claim, 7 Drawing Sheets



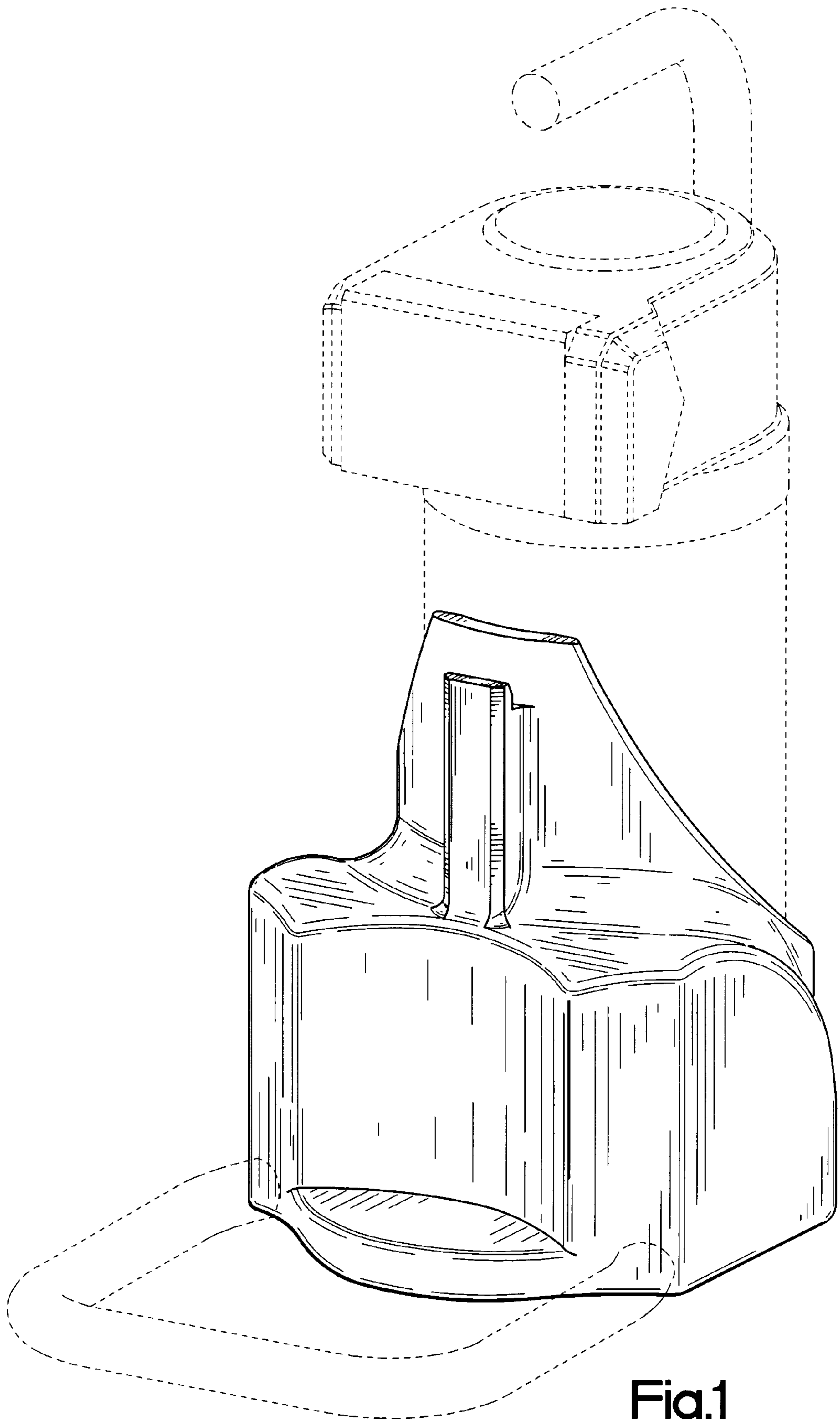


Fig.1

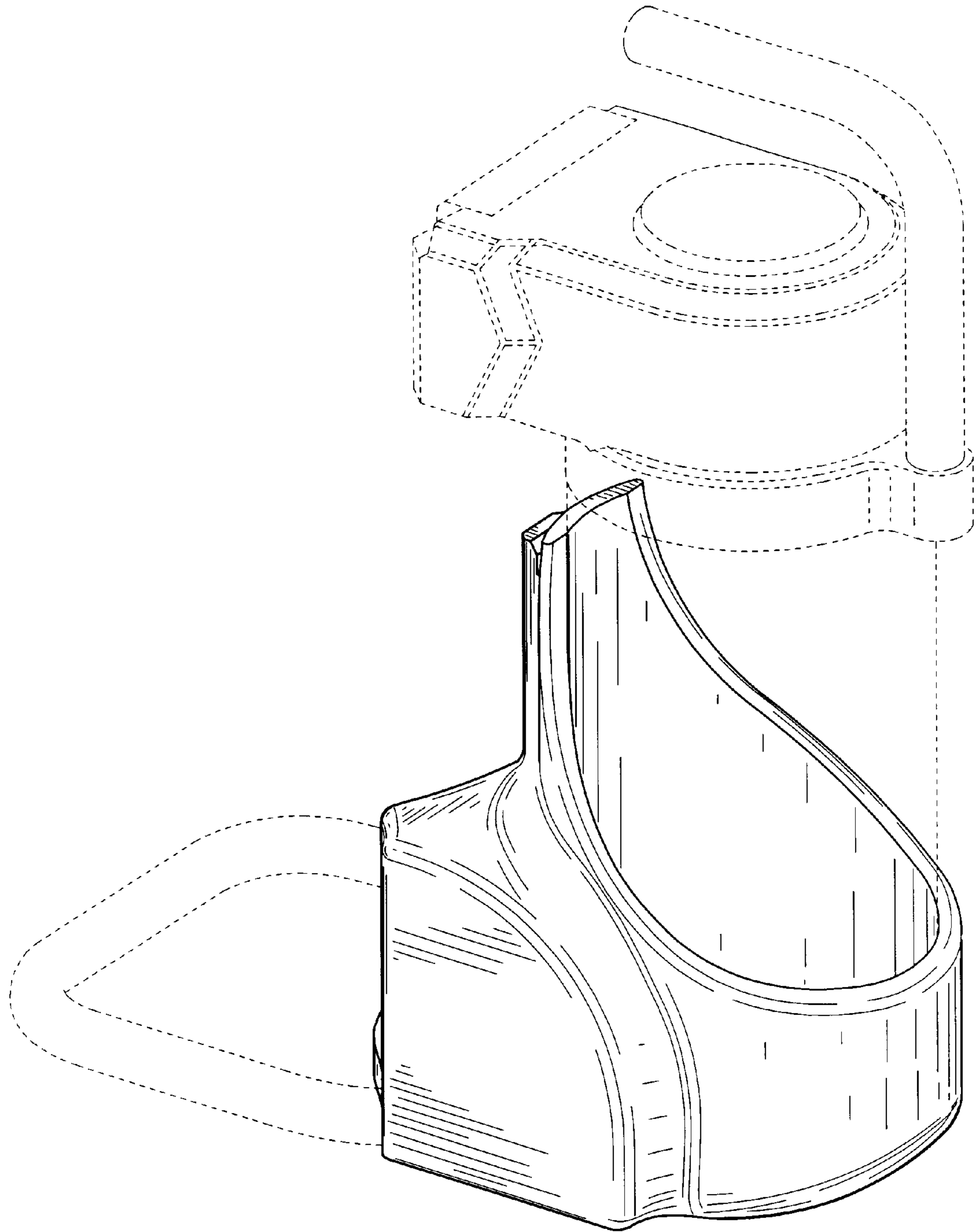


Fig.2

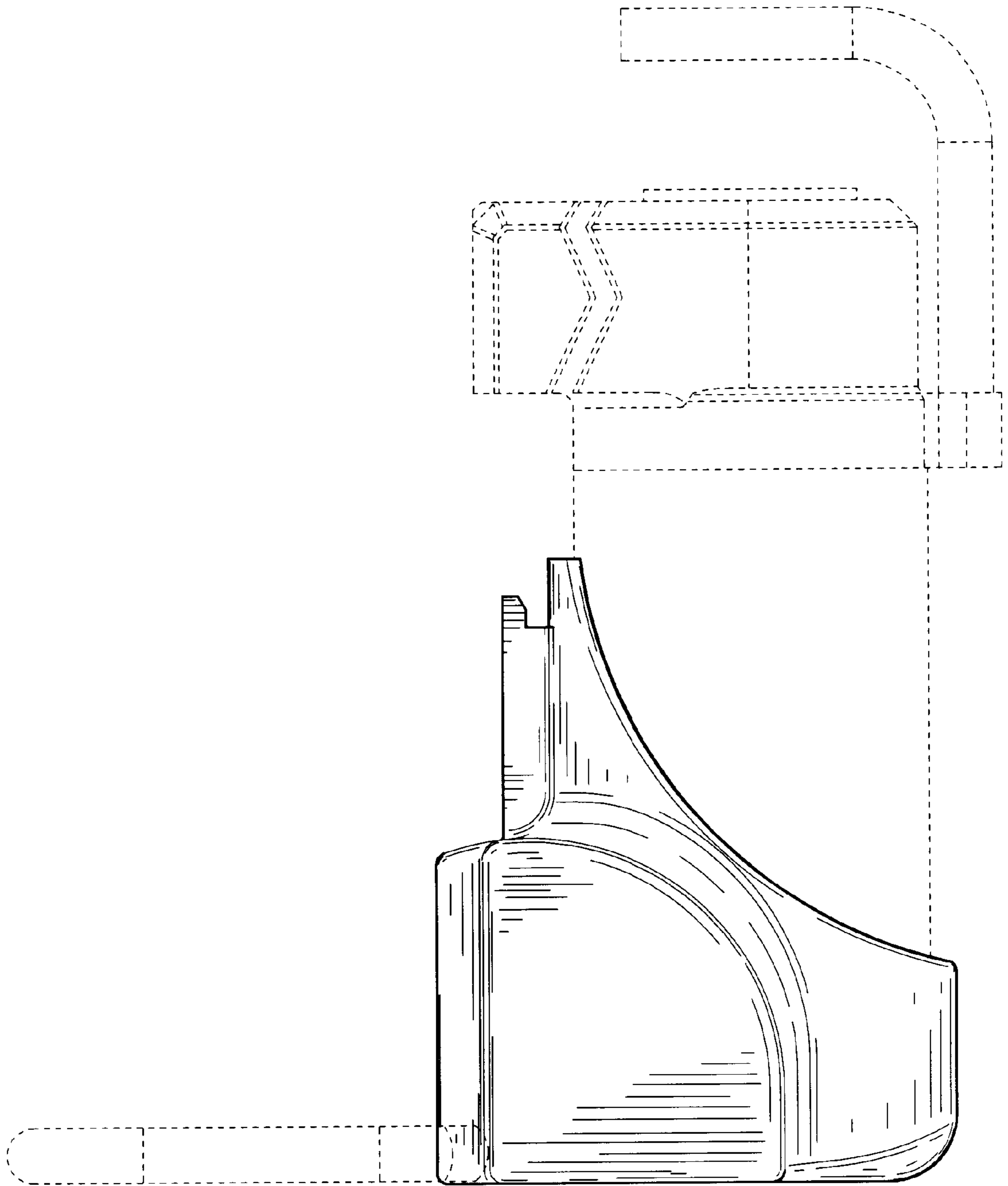


Fig.3

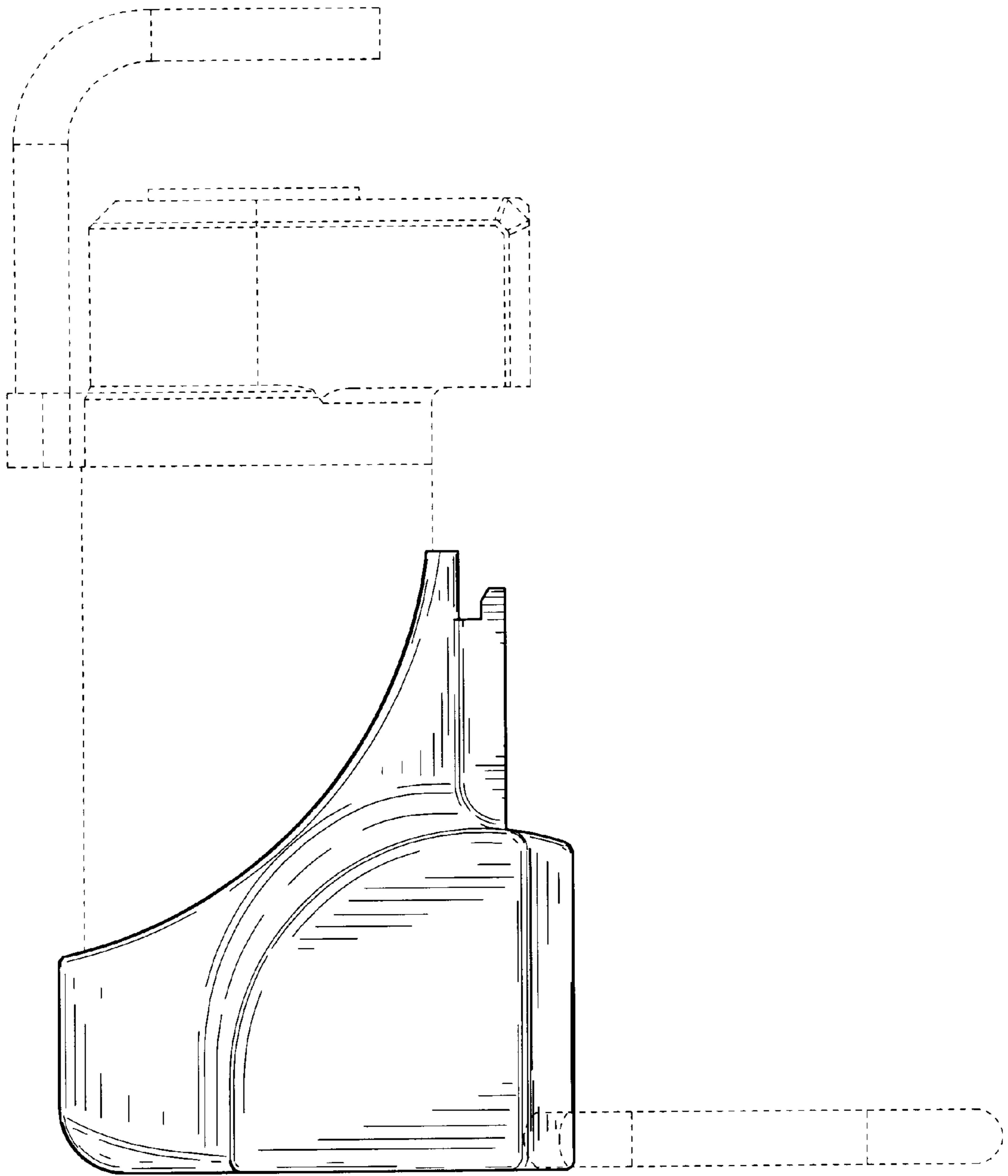


Fig.4

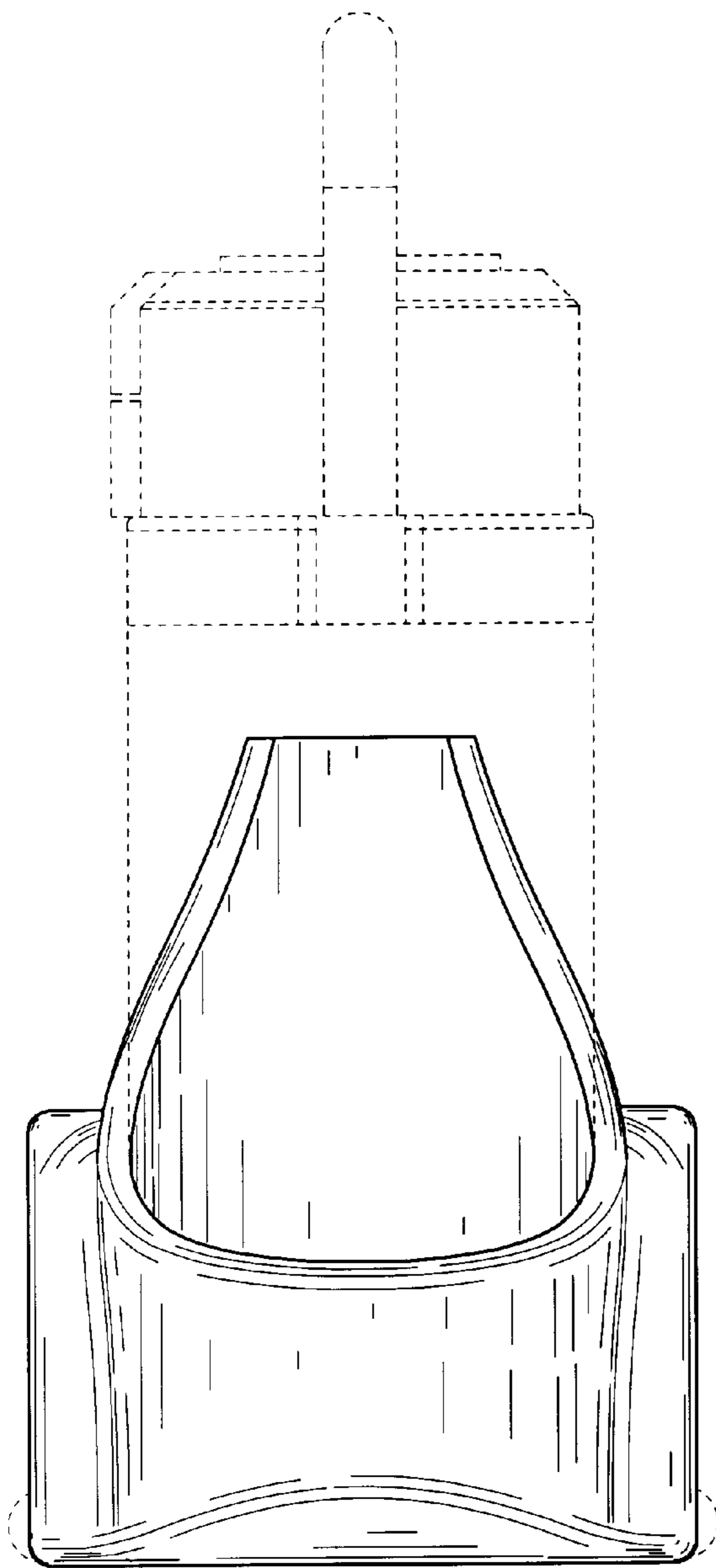


Fig.5

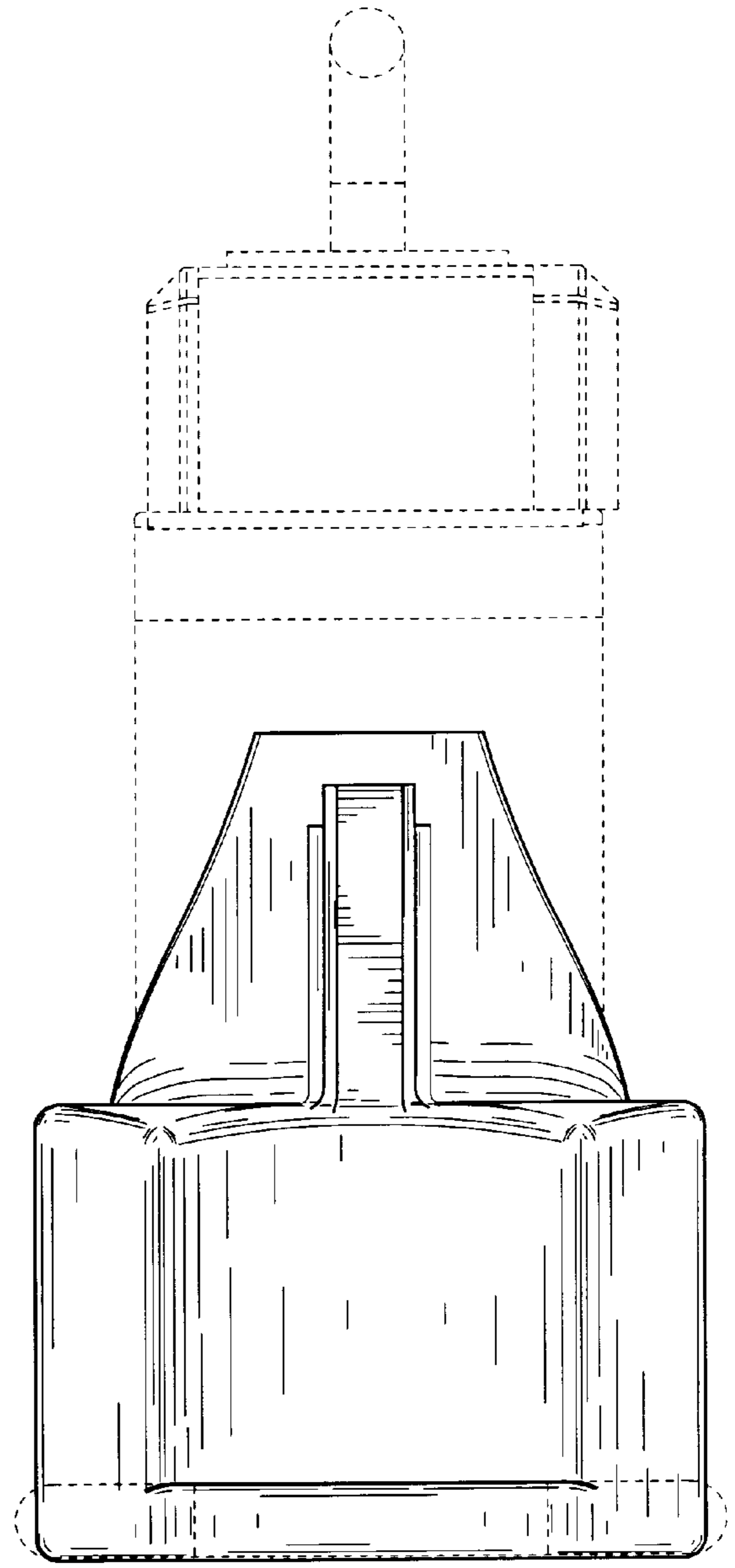


Fig.6

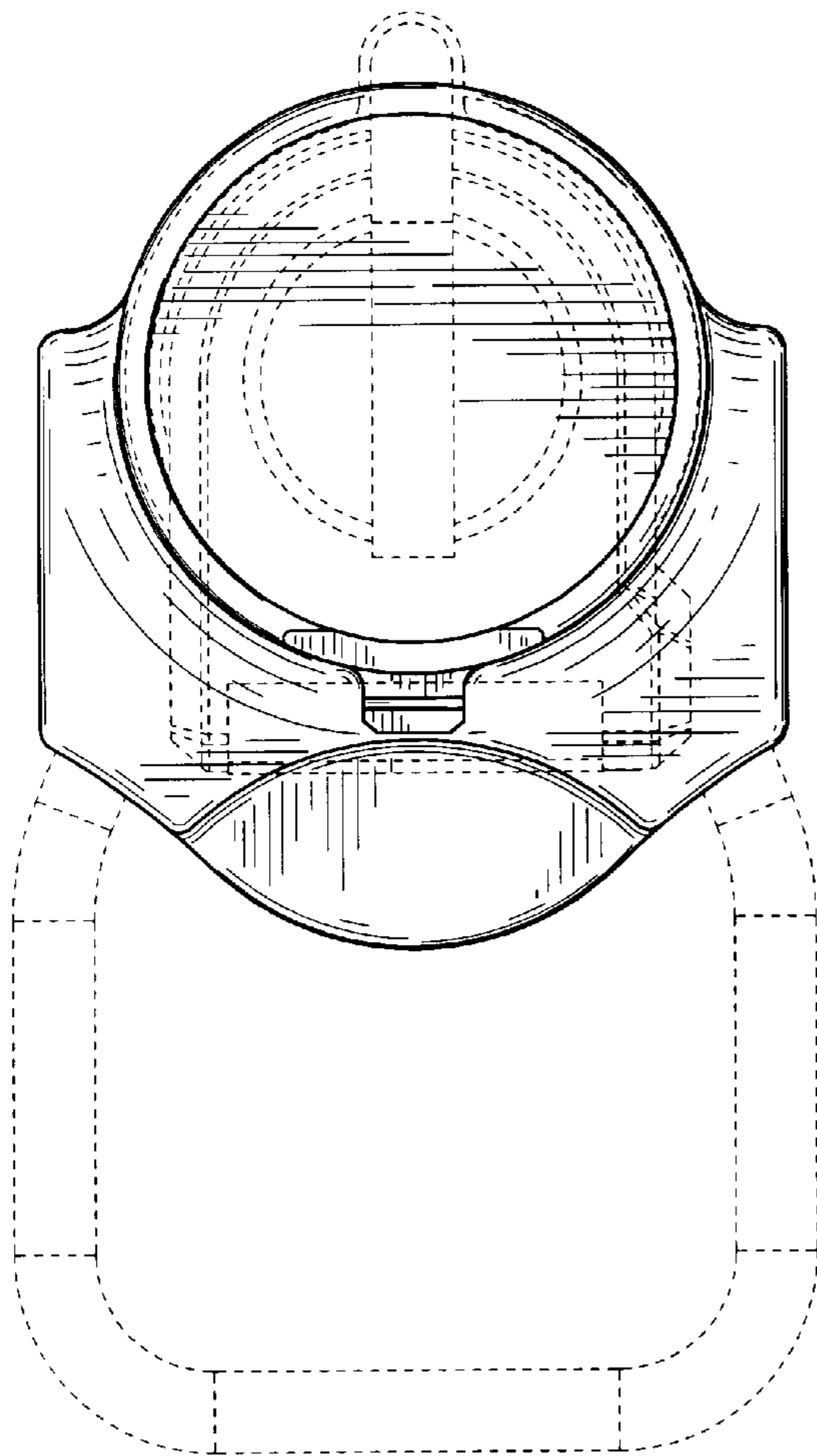


Fig.7

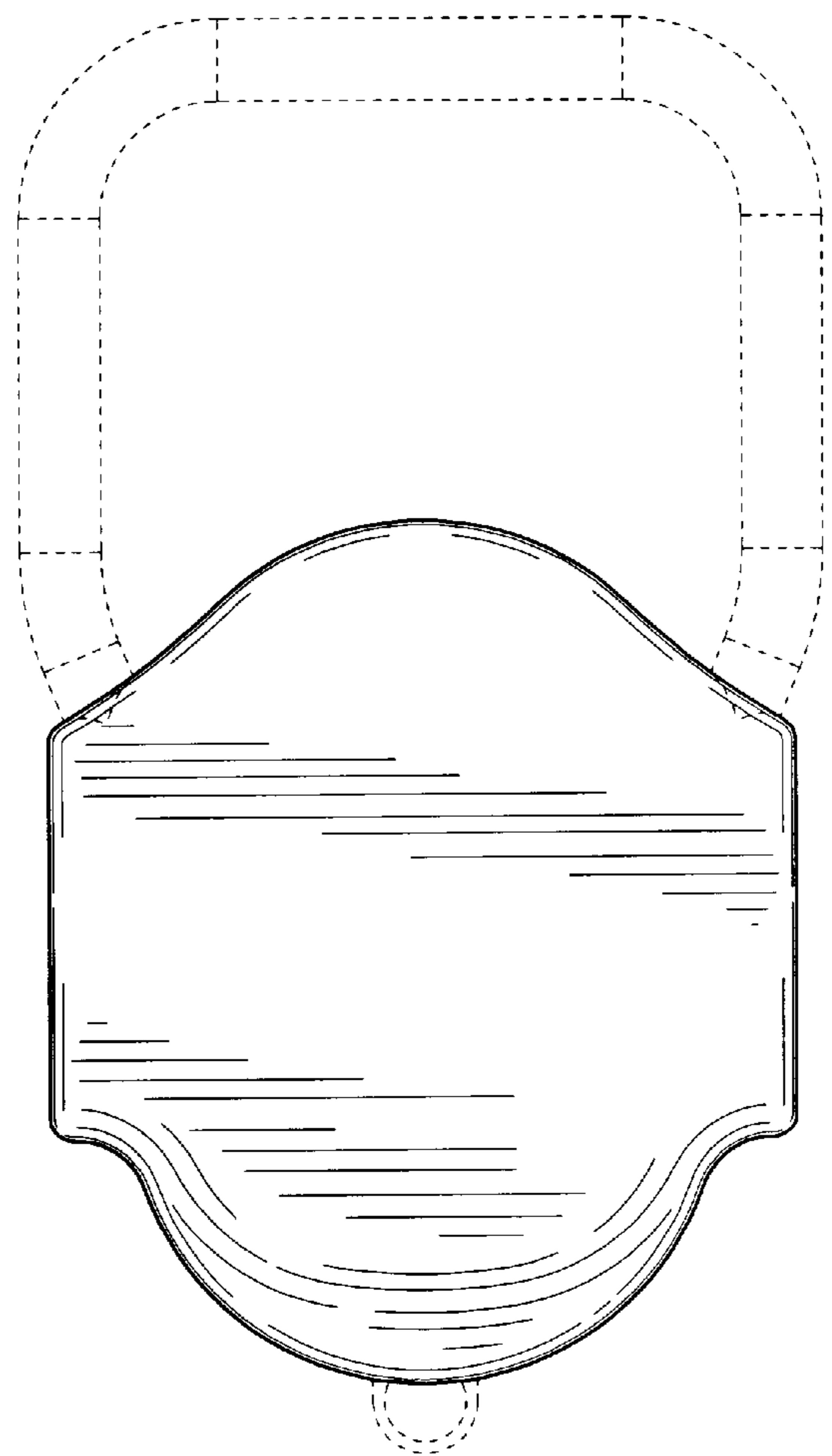


Fig.8

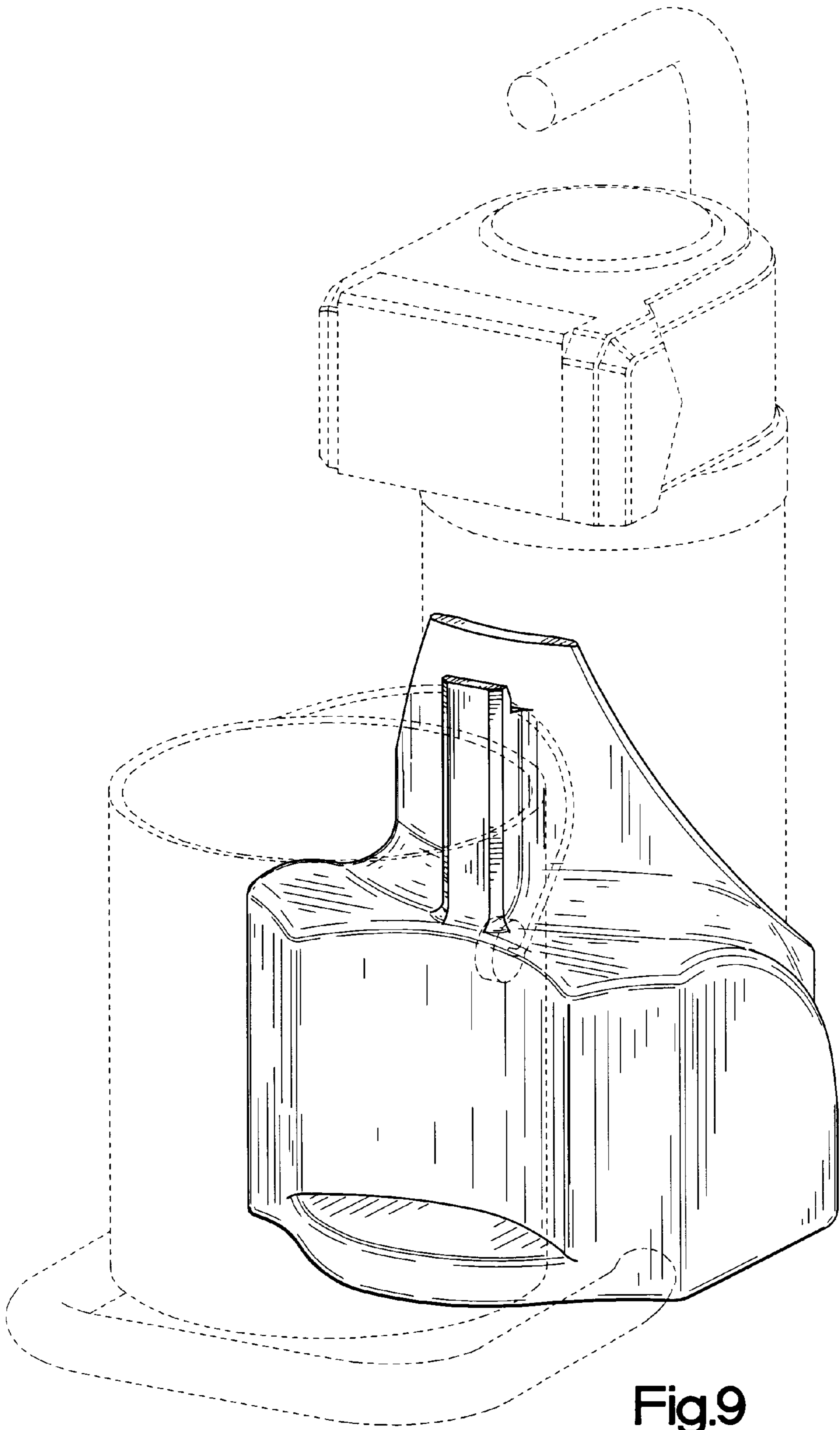


Fig.9