



US00D428468S

# United States Patent [19]

[11] Patent Number: Des. 428,468

Dea et al.

[45] Date of Patent: \*\* Jul. 18, 2000

[54] **CONSOLE FOR FLUID RECYCLING**

[75] Inventors: **William S. Dea**, Bloomington, Minn.;  
**Richard E. Carlson**, Wildwood, Mo.;  
**James A. Wilson**, North Saint Paul,  
Minn.; **Jeremy J. Odegard**, River  
Falls, Wis.

[73] Assignee: **Century Manufacturing Company**, St.  
Paul, Minn.

[\*\*] Term: **14 Years**

[21] Appl. No.: **29/094,133**

[22] Filed: **Sep. 25, 1998**

[51] **LOC (7) Cl.** ..... **23-01**

[52] **U.S. Cl.** ..... **D23/207; D23/200**

[58] **Field of Search** ..... **D23/200, 207,**  
**D23/209; 210/195.2, 195.3, 295-6, 767,**  
**241**

4,513,614 4/1985 Adcock .  
4,772,402 9/1988 Love .  
4,790,882 12/1988 Barres .  
4,840,223 6/1989 Lee .  
4,901,786 2/1990 Vataru et al. .  
4,911,211 3/1990 Andersen .  
4,946,595 8/1990 Miller, Jr. .  
5,021,152 6/1991 Filowitz et al. .  
5,039,930 8/1991 Collier et al. .  
5,069,780 12/1991 Thalmann et al. .... 210/195.2  
5,077,513 12/1991 Dea et al. .  
5,078,866 1/1992 Filowitz et al. .  
5,091,081 2/1992 Hilgren .  
5,094,757 3/1992 Light .  
5,097,894 3/1992 Cassia .  
5,100,562 3/1992 Proctor .  
5,167,826 12/1992 Eaton .  
5,242,273 9/1993 Payne .  
5,244,586 9/1993 Hawkins et al. .  
5,262,013 11/1993 Beal et al. .  
5,267,606 12/1993 Cassia .  
5,306,430 4/1994 Dixon et al. .  
5,318,700 6/1994 Dixon et al. .  
5,382,355 1/1995 Arlozynski .  
5,422,008 6/1995 Woyciesjes et al. .  
5,429,753 7/1995 Hilgren .  
5,441,101 8/1995 Johnsson .  
5,454,960 10/1995 Newsom .  
5,511,590 4/1996 Turcotte et al. .  
5,549,832 8/1996 Ische et al. .  
5,809,945 9/1998 Creeron et al. .  
5,820,752 10/1998 Berke et al. .

## [56] References Cited

### U.S. PATENT DOCUMENTS

Re. 31,274 6/1983 Babish et al. .  
D. 248,942 8/1978 Kniss .  
D. 290,491 6/1987 Goddard .  
D. 292,429 10/1987 Spink .  
D. 306,339 2/1990 Slovak .  
D. 314,607 2/1991 Kapec et al. .  
D. 327,468 6/1992 Dea et al. .  
D. 328,777 8/1992 Thalmann et al. .  
D. 332,993 2/1993 Dea et al. .  
D. 352,090 11/1994 Dea et al. .  
D. 353,440 12/1994 Ito et al. .  
D. 359,055 6/1995 Drago et al. .  
D. 369,647 5/1996 Dea et al. .  
D. 370,050 5/1996 Dea et al. .  
2,408,183 9/1946 Wood .  
2,565,273 8/1951 Shuler et al. .  
3,409,218 11/1968 Moyer .  
3,954,611 5/1976 Reedy .  
4,054,150 10/1977 Thomas .  
4,083,399 4/1978 Babish et al. .  
4,109,703 8/1978 Babish et al. .  
4,126,108 11/1978 Christensen .  
4,161,979 7/1979 Stearns .  
4,176,708 12/1979 Joffe .  
4,209,063 6/1980 Babish et al. .  
4,293,031 10/1981 Babish et al. .

*Primary Examiner*—Robin V. Taylor  
*Attorney, Agent, or Firm*—Merchant & Gould P.C.

## [57] CLAIM

The ornamental design for a console for fluid recycling, as shown and described.

## DESCRIPTION

FIG. 1 is a left side, front perspective view of a recycling console showing our new design;  
FIG. 2 is a right side elevation view of the recycling console;  
FIG. 3 is a left side elevation view of the recycling console;  
FIG. 4 is a front elevation view of the recycling console;  
FIG. 5 is a rear elevation view of the recycling console;  
FIG. 6 is a top plan view of the recycling console; and,  
FIG. 7 is a bottom plan view of the recycling console.

**1 Claim, 4 Drawing Sheets**

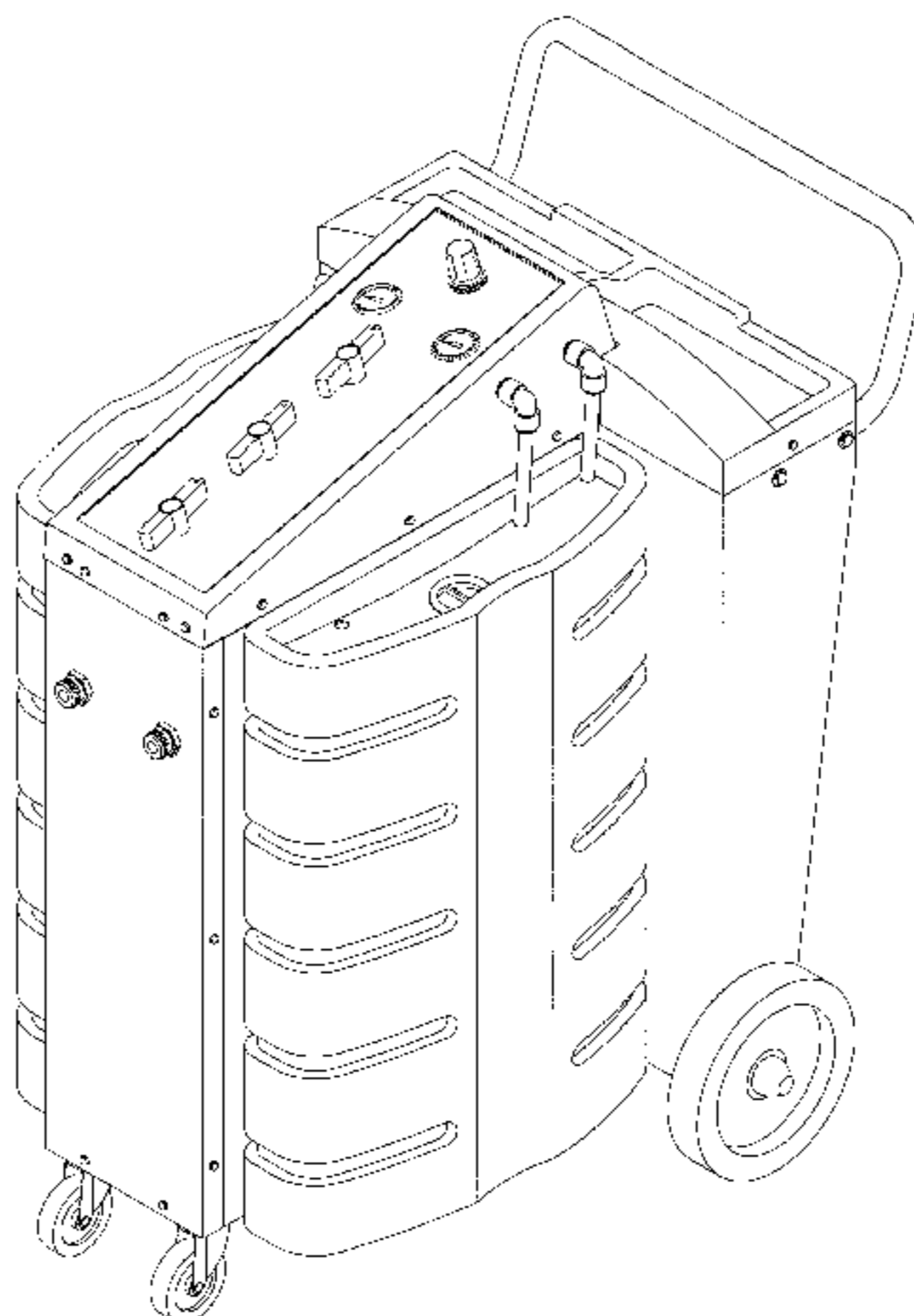


FIG. 1

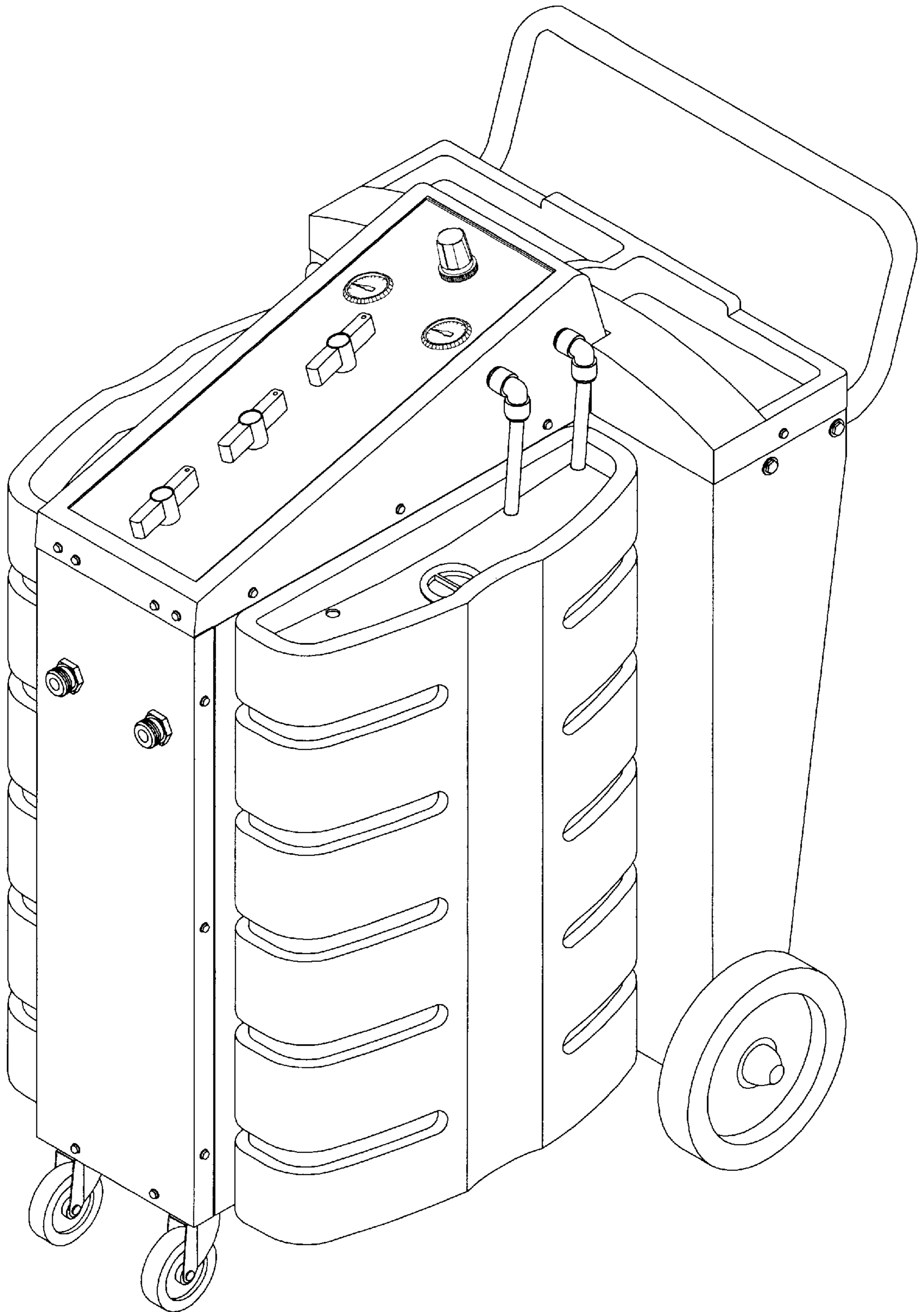


FIG. 3

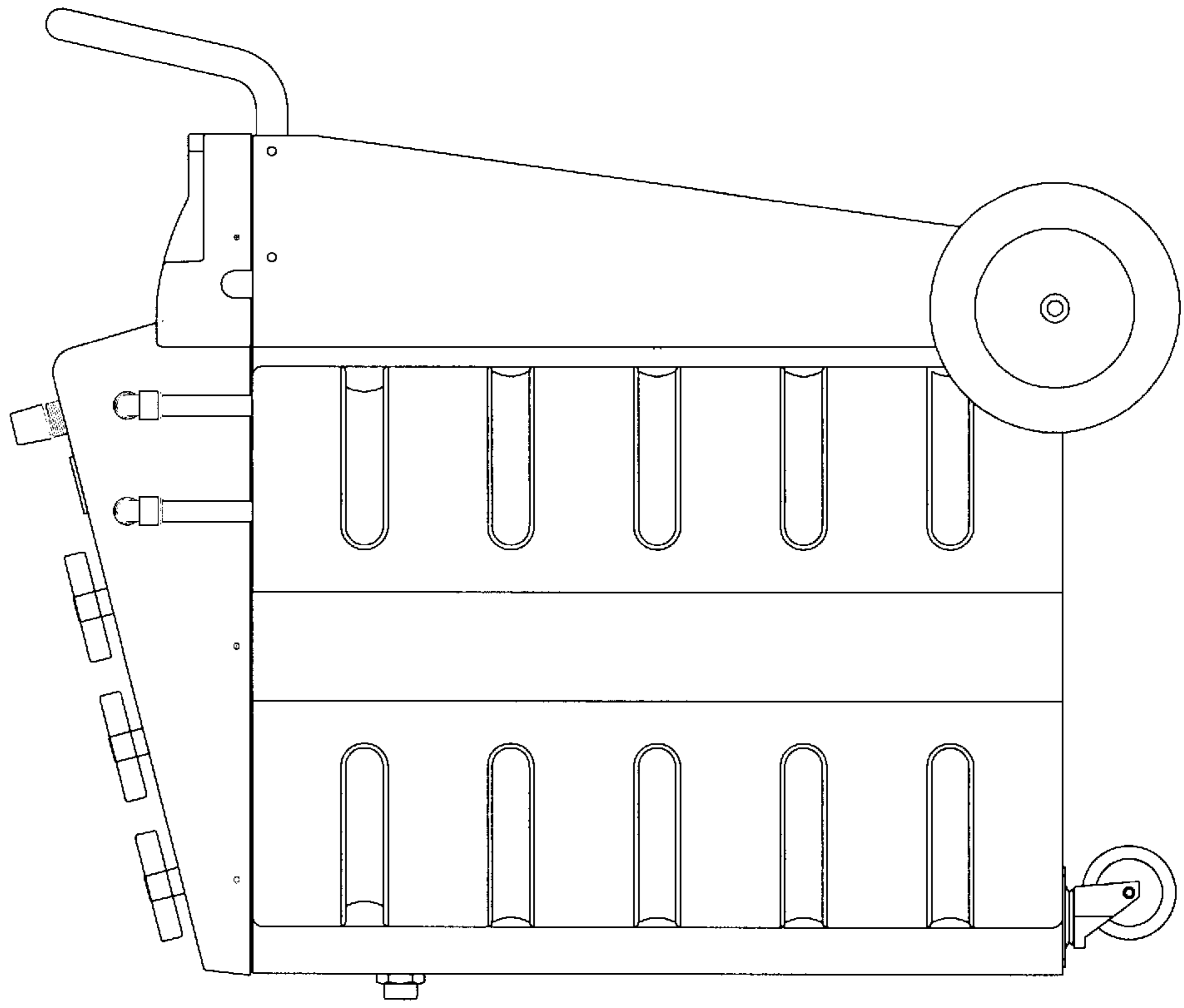


FIG. 2

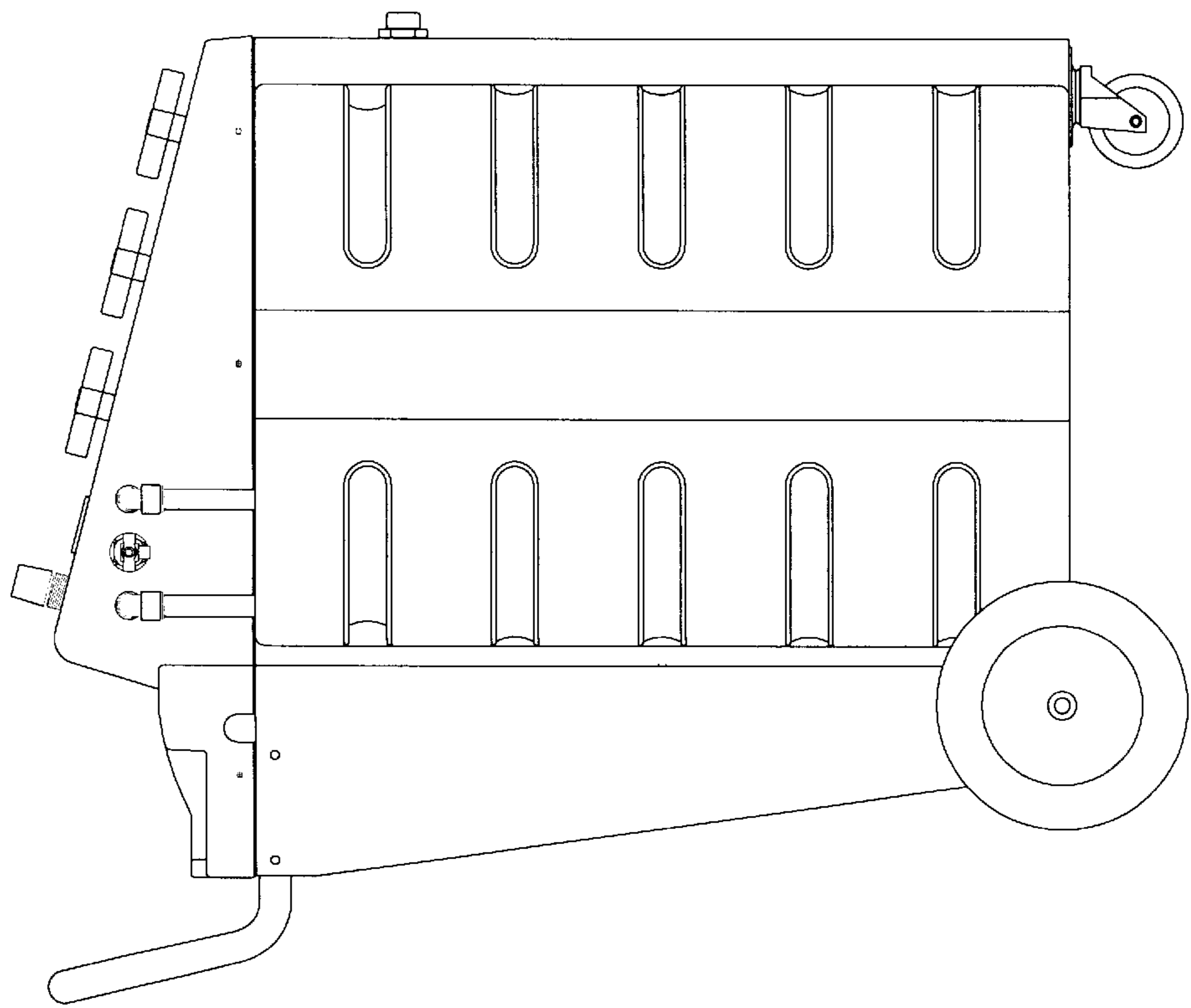


FIG. 5

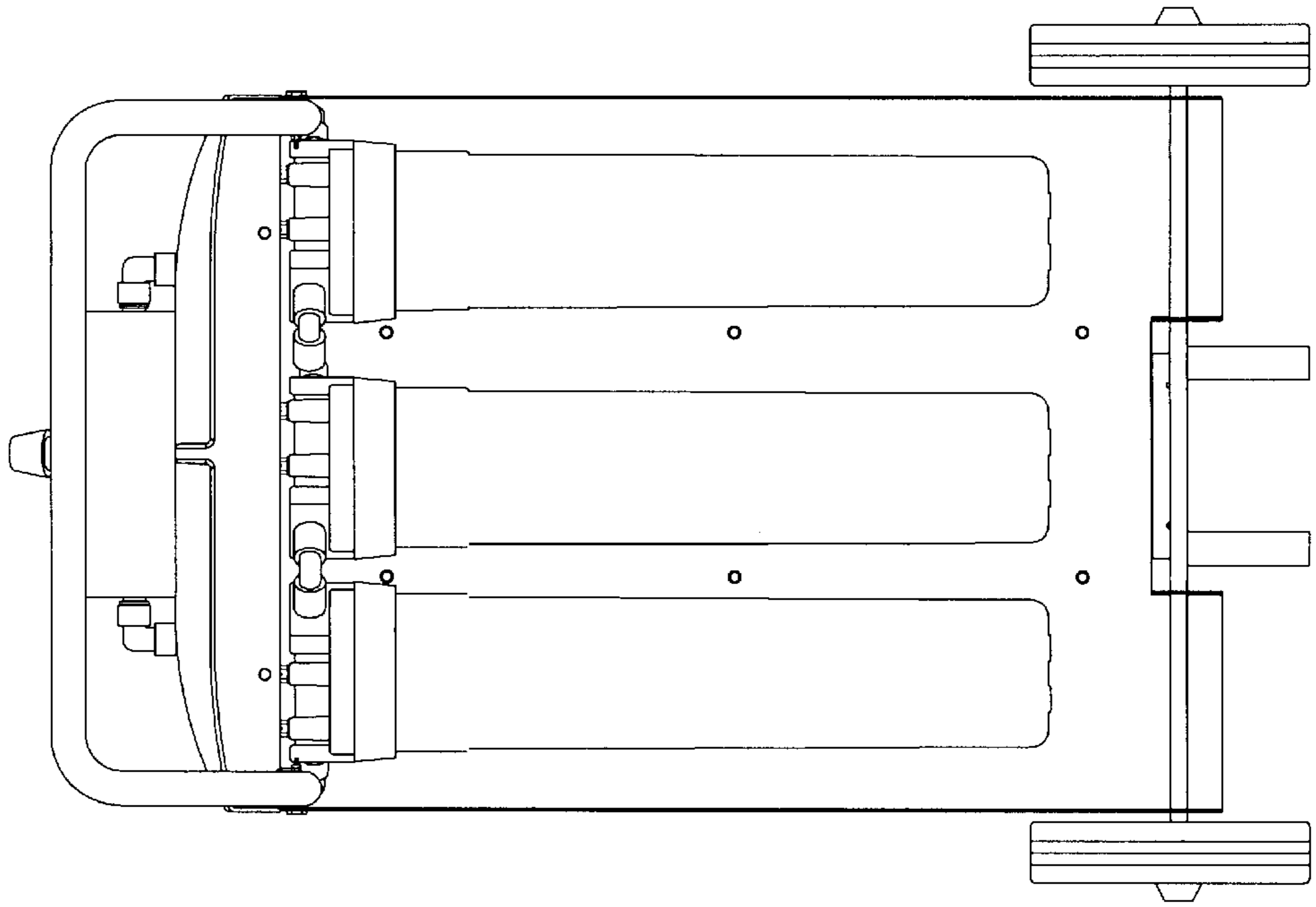


FIG. 4

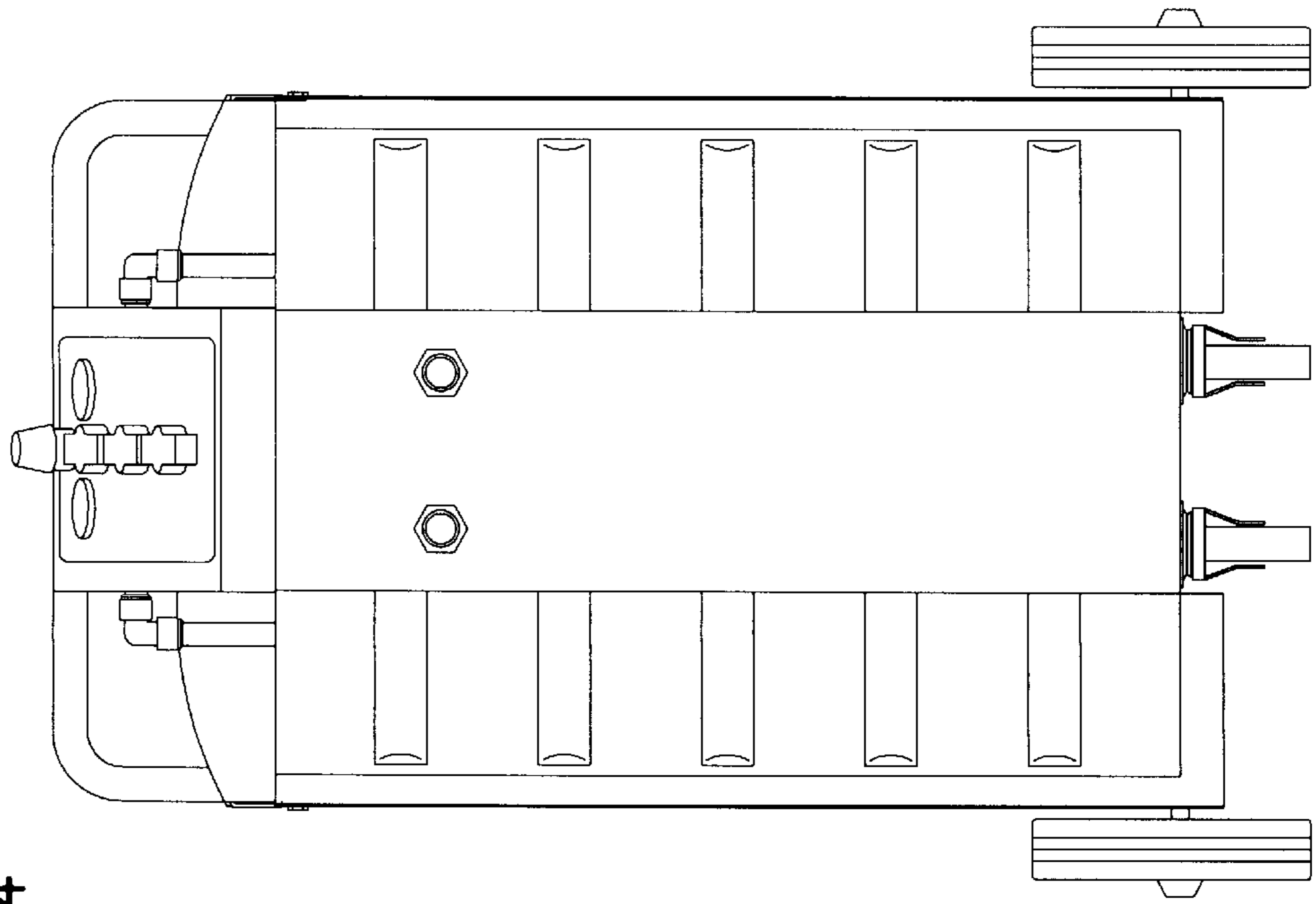


FIG. 7

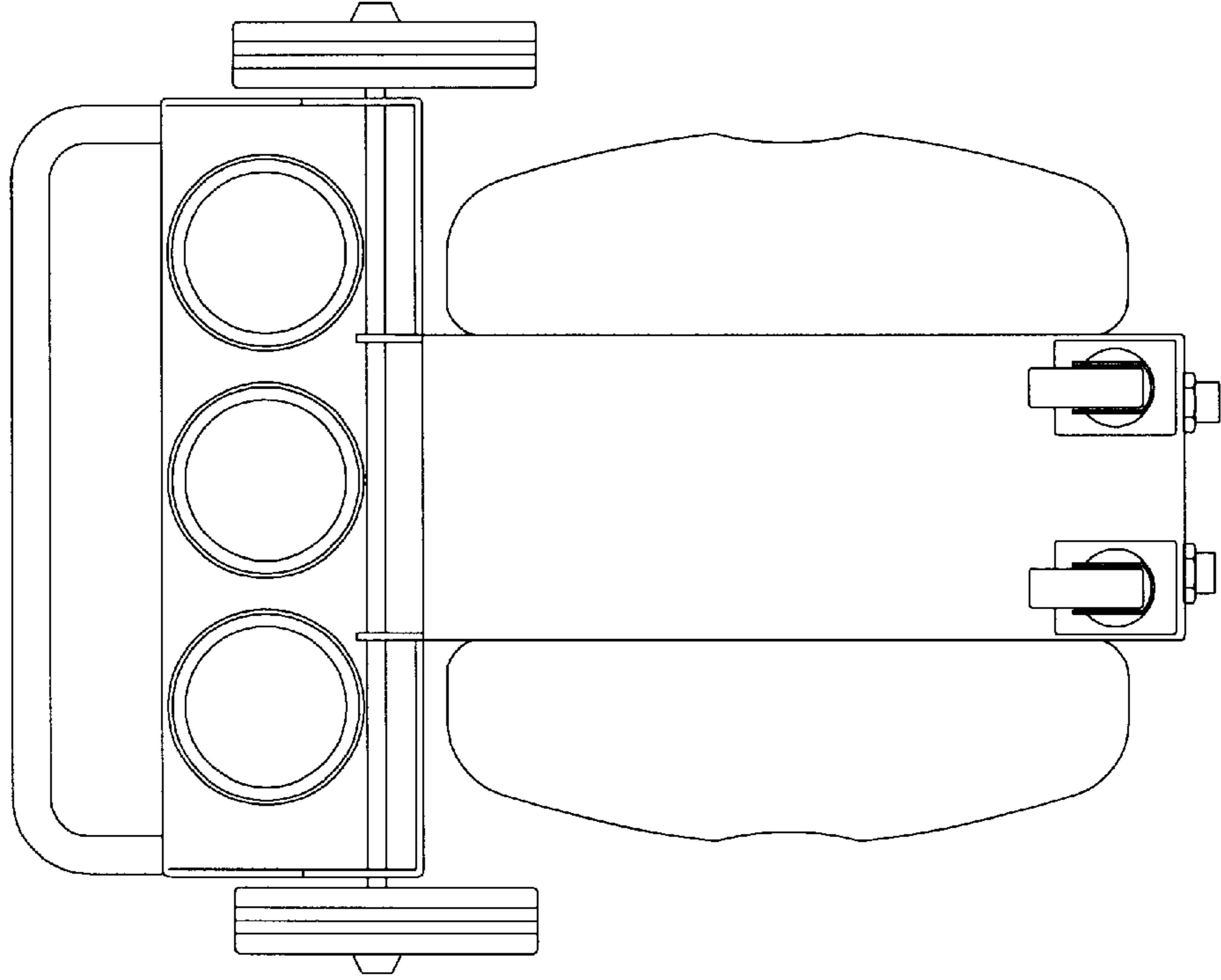


FIG. 6

