



US00D428466S

United States Patent [19] Langley, III

[11] **Patent Number: Des. 428,466**

[45] **Date of Patent: ** *Jul. 18, 2000**

[54] **FLOAT**

[76] **Inventor: James H. Langley, III**, 415 Anderson Snow Rd., Brooksville, Fla. 34609

[*] **Notice:** This patent is subject to a terminal disclaimer.

[**] **Term: 14 Years**

[21] **Appl. No.: 29/109,535**

[22] **Filed: Aug. 17, 1999**

[51] **LOC (7) Cl. 21-06**

[52] **U.S. Cl. D21/808; D21/809**

[58] **Field of Search D21/801, 803, D21/808, 809; 441/129-132, 40, 80**

[56] **References Cited**

U.S. PATENT DOCUMENTS

D. 259,803	7/1981	Coffin	D21/228
D. 296,348	6/1988	Terrien	D21/236
D. 335,908	5/1993	Jackson	D12/300
D. 338,363	8/1993	Martel	D6/604

D. 350,586	9/1994	Francis	D21/237
D. 362,895	10/1995	Nicholson	D21/237
D. 375,781	11/1996	Caldwell	D22/134
D. 375,989	11/1996	Jacobs	D21/237
D. 378,772	4/1997	Hall	D21/237
D. 413,643	9/1999	Langley, III	D21/809
5,679,040	10/1997	Bianchi-Holm	441/129

Primary Examiner—Kay H. Chin
Attorney, Agent, or Firm—Pettis & Van Royen

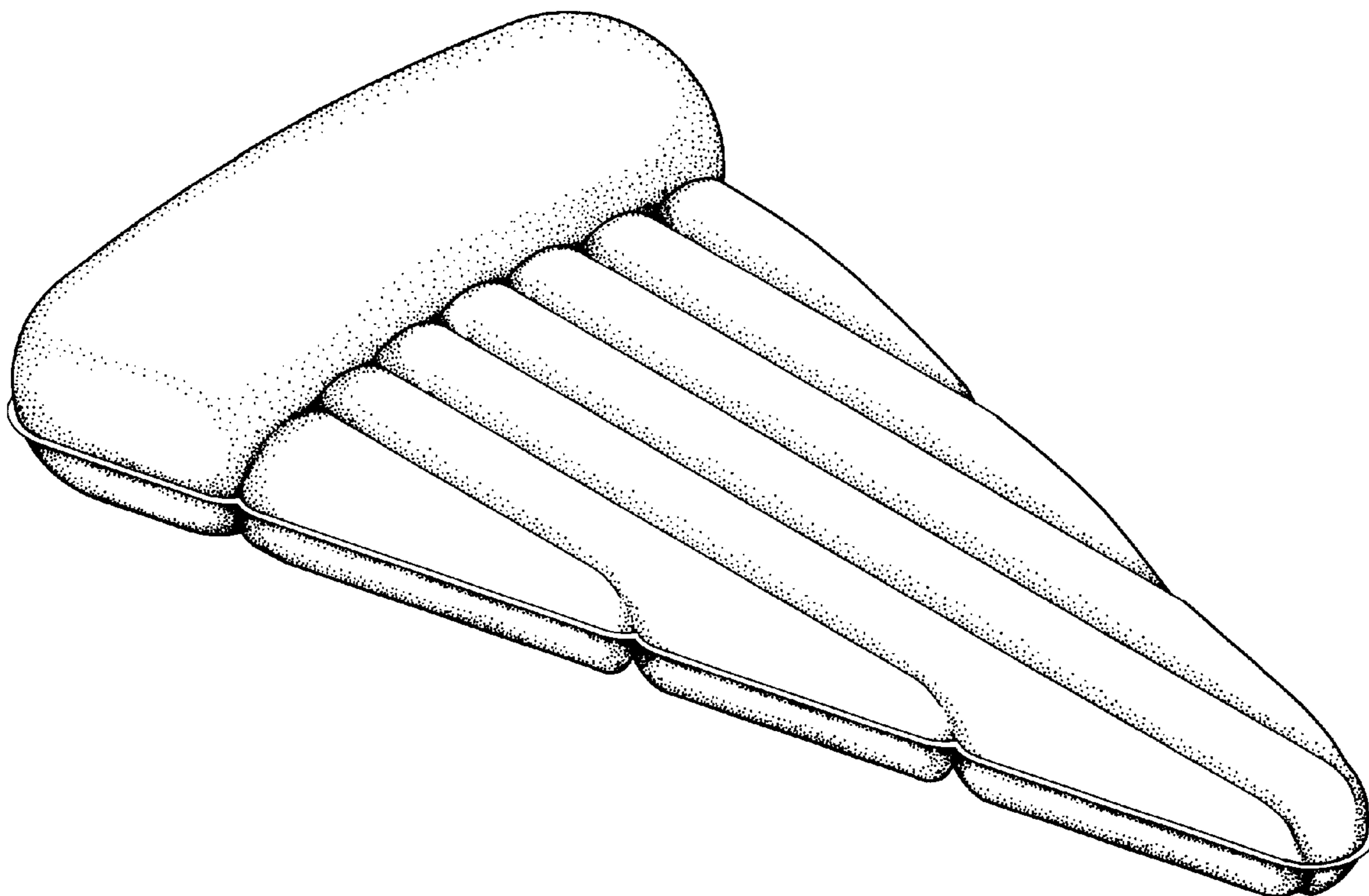
[57] **CLAIM**

The ornamental design for a float, as shown and described.

DESCRIPTION

FIG. 1 is a perspective view of the float showing my new design;
FIG. 2 is a top plan view thereof;
FIG. 3 is a bottom plan view thereof;
FIG. 4 is right side elevational view thereof;
FIG. 5 is a left side elevational view thereof;
FIG. 6 is a bottom edge elevational view thereof; and,
FIG. 7 is a top edge elevational view thereof.

1 Claim, 2 Drawing Sheets



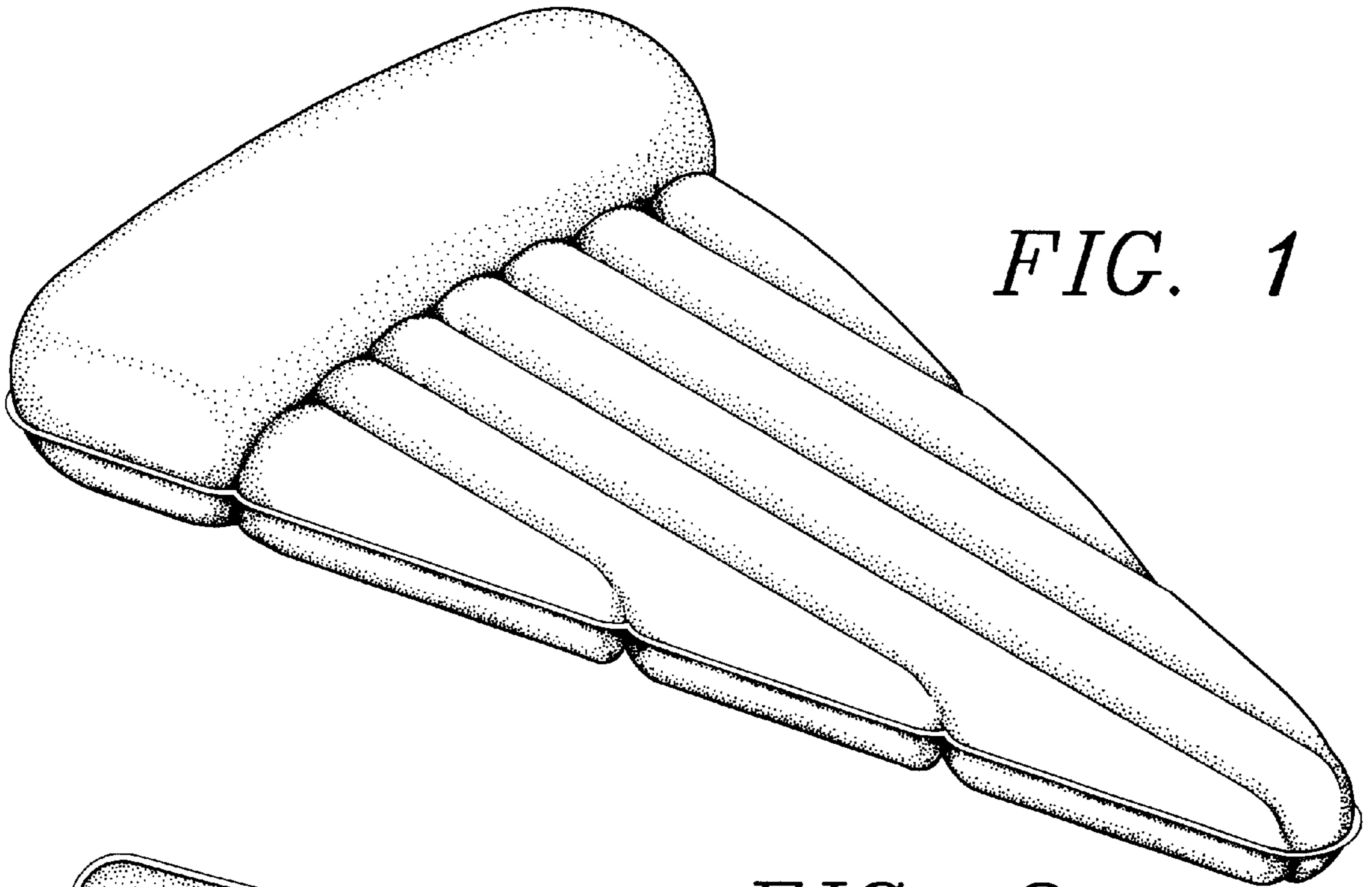


FIG. 1

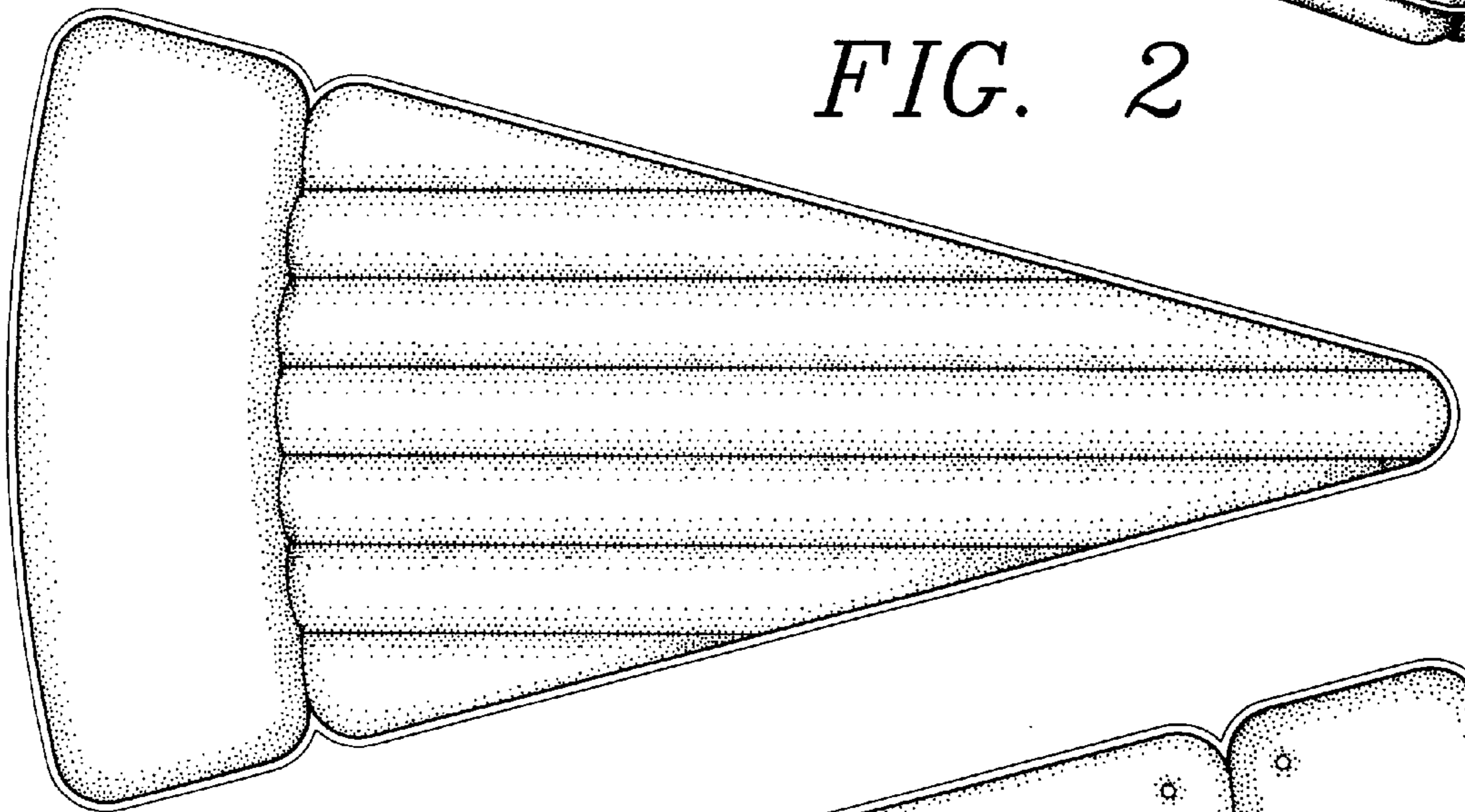


FIG. 2

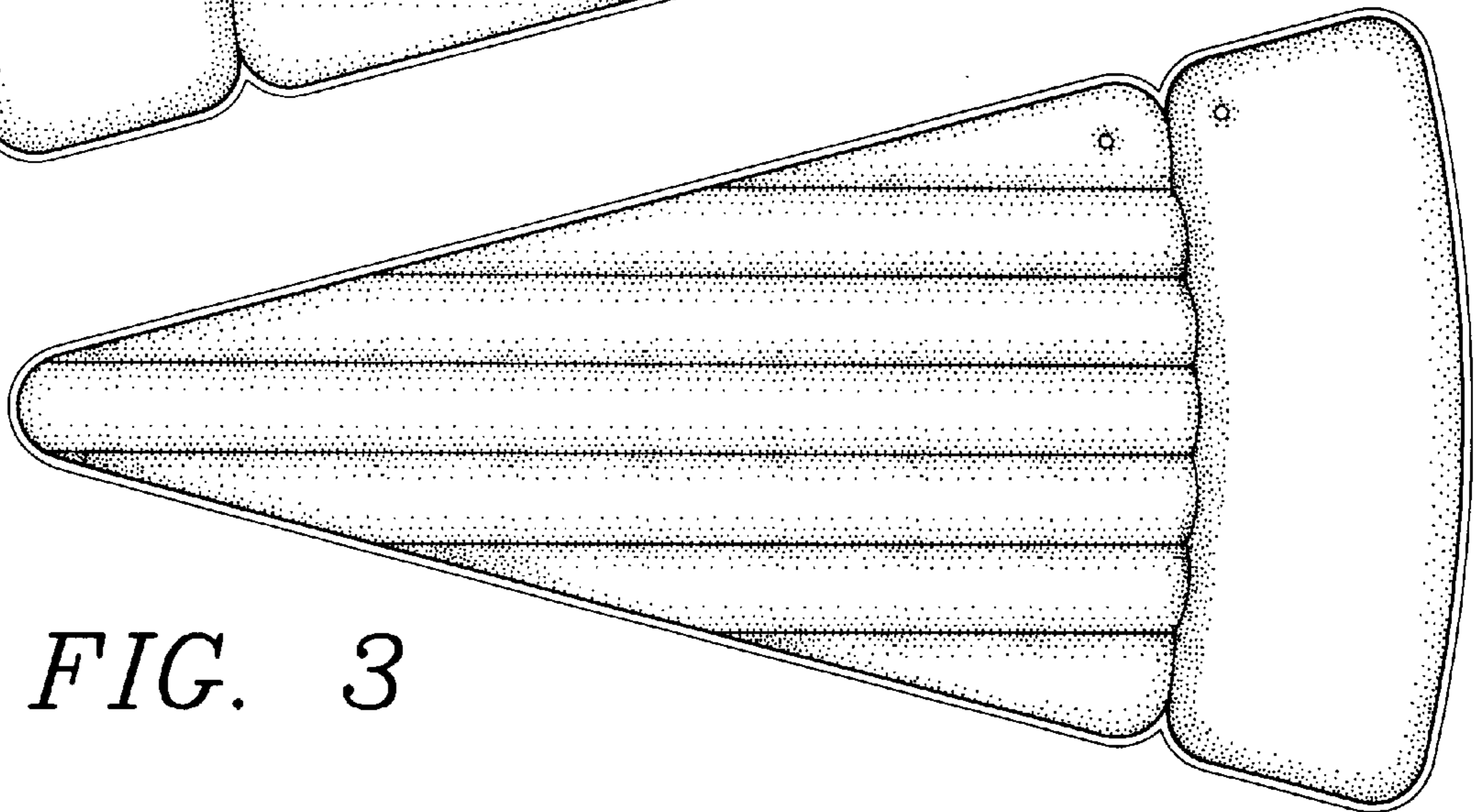


FIG. 3

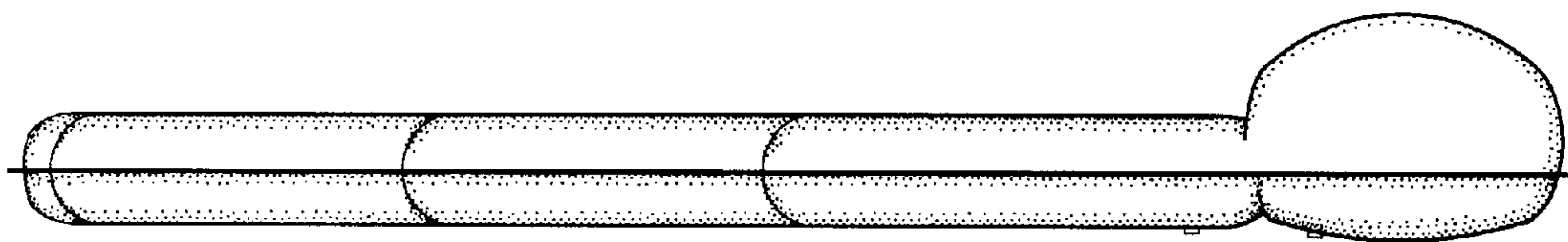


FIG. 4

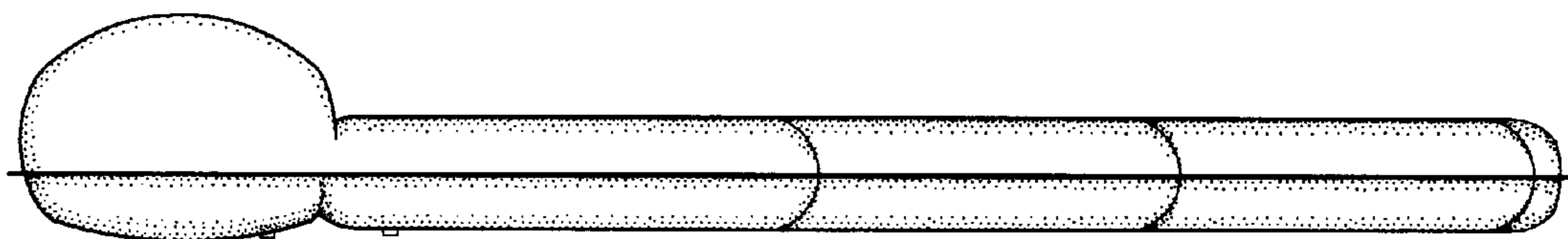


FIG. 5

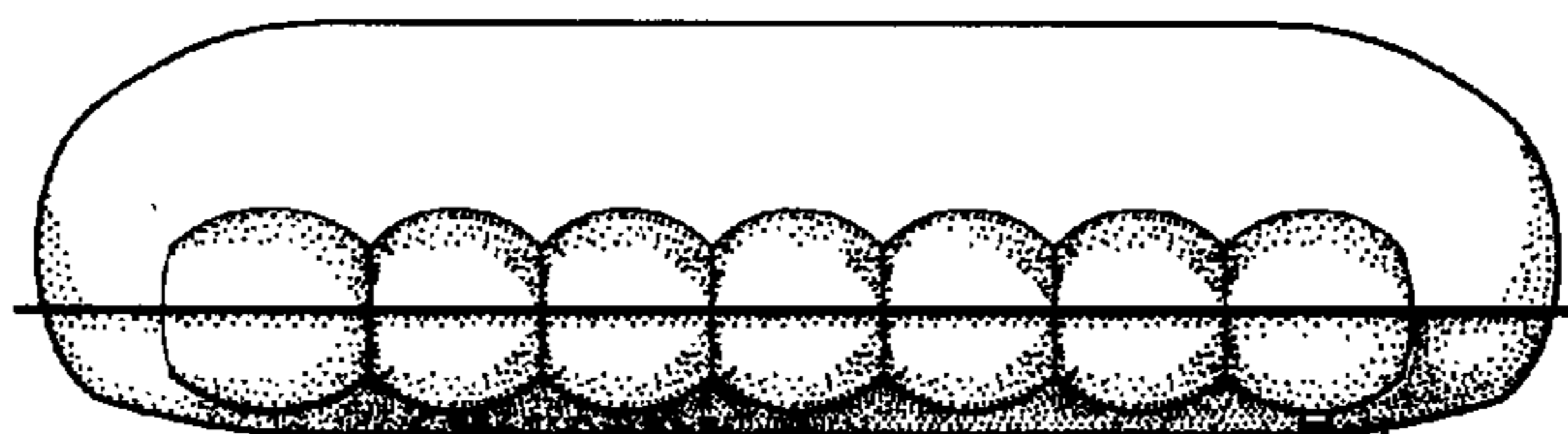


FIG. 6

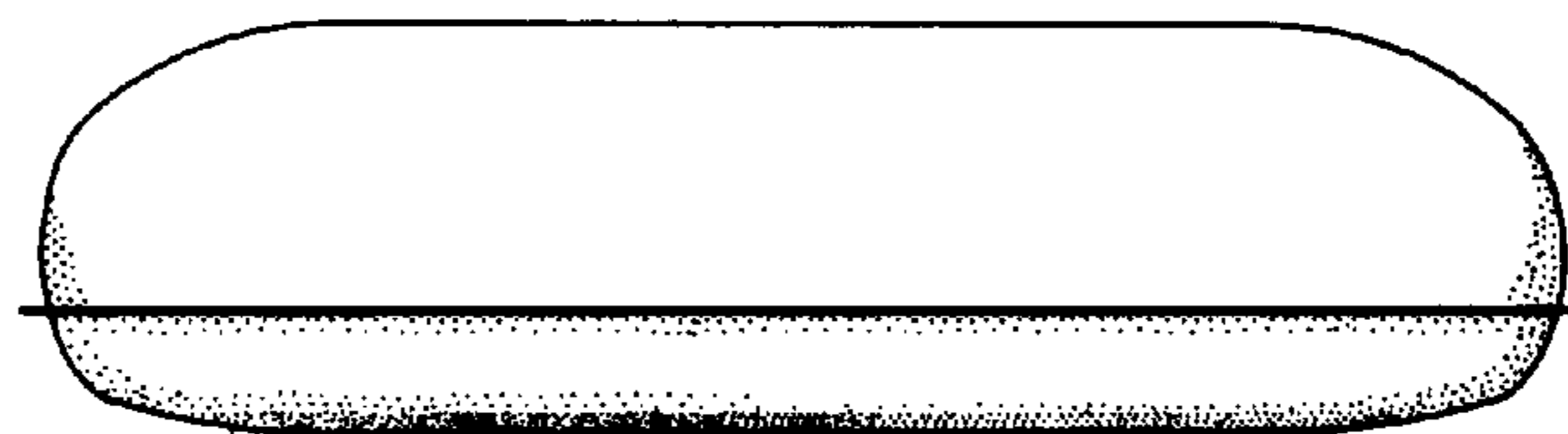


FIG. 7