



US00D428452S

United States Patent [19]

Aronov et al.

[11] Patent Number: Des. 428,452

[45] Date of Patent: ** Jul. 18, 2000

[54] TOP

[75] Inventors: Michael Aronov, 1717 N. Rainwood Cir., Unit A, Anaheim, Calif. 92807; Jack Durban, Laguna Niguel, Calif.

[73] Assignee: Michael Aronov, Anaheim, Calif.

[**] Term: 14 Years

[21] Appl. No.: 29/107,657

[22] Filed: Jul. 12, 1999

[51] LOC (7) Cl. 21-01

[52] U.S. Cl. D21/460

[58] Field of Search D21/460, 463; 446/256, 264

[56] References Cited

U.S. PATENT DOCUMENTS

- D. 27,459 8/1897 Apel D21/460
- D. 31,655 10/1899 Porter D21/460
- D. 50,980 7/1917 Baralich D21/460

- D. 108,614 3/1938 Cometh D21/460
- D. 162,100 2/1951 Wee D21/460
- D. 181,779 12/1957 Burelli D21/460
- D. 237,521 11/1975 Tremblay .
- D. 320,240 9/1991 Stefanou D21/460
- 5,122,089 6/1992 Haran 446/257

Primary Examiner—Dominic Simone
Attorney, Agent, or Firm—Sheldon & Mak

[57] CLAIM

The ornamental design for a top, as shown and described.

DESCRIPTION

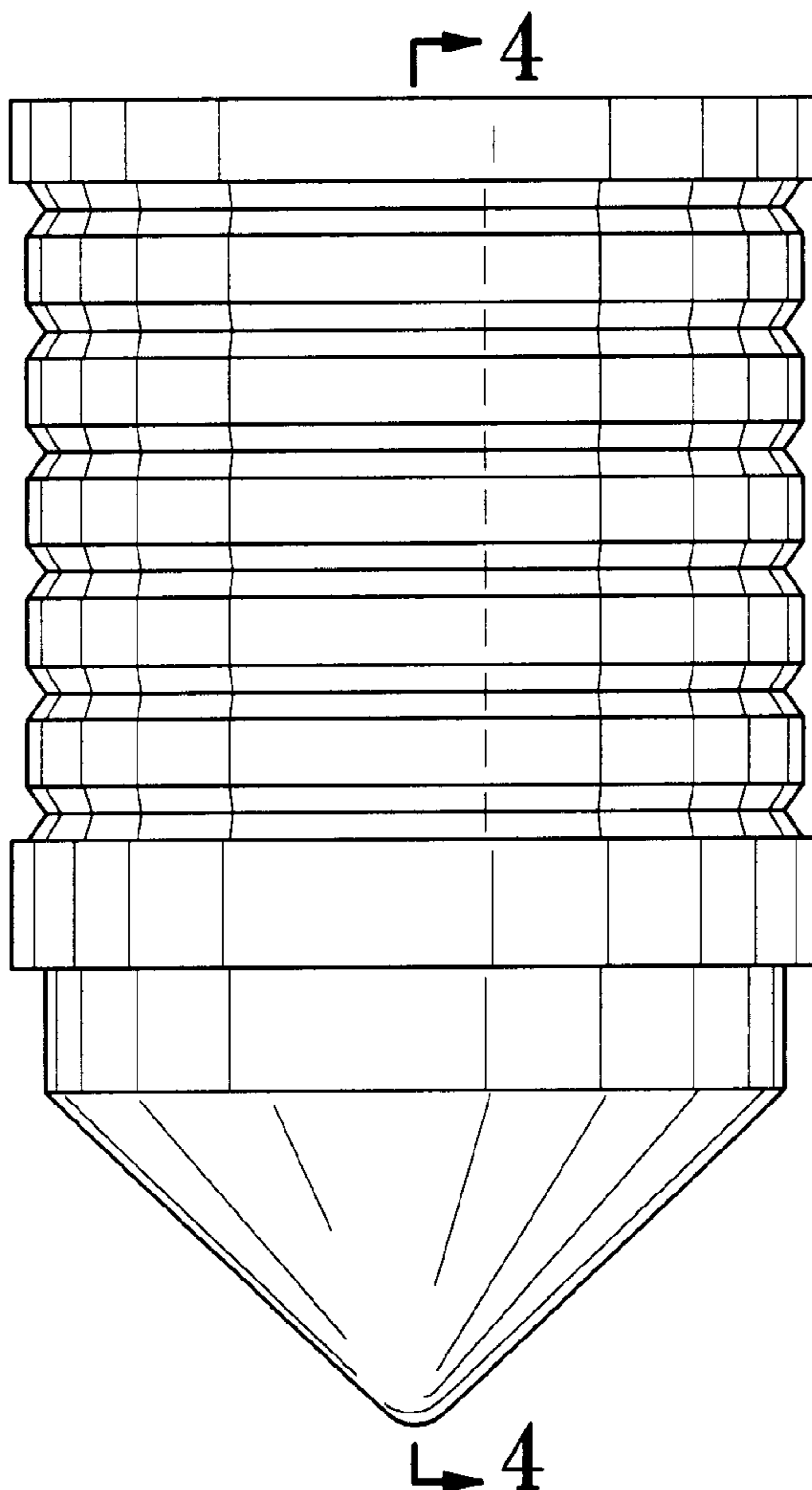
FIG. 1 is a front elevation view of a top according to the present invention, wherein the top is symmetrical about its vertical axis, such that the side and rear elevation views are identical to that of FIG. 1;

FIG. 2 is a top plan view of the top of FIG. 1;

FIG. 3 is a bottom plan view of the top of FIG. 1; and,

FIG. 4 is a sectional view of the top of FIG. 1 taken on line 4—4 in FIG. 1.

1 Claim, 1 Drawing Sheet



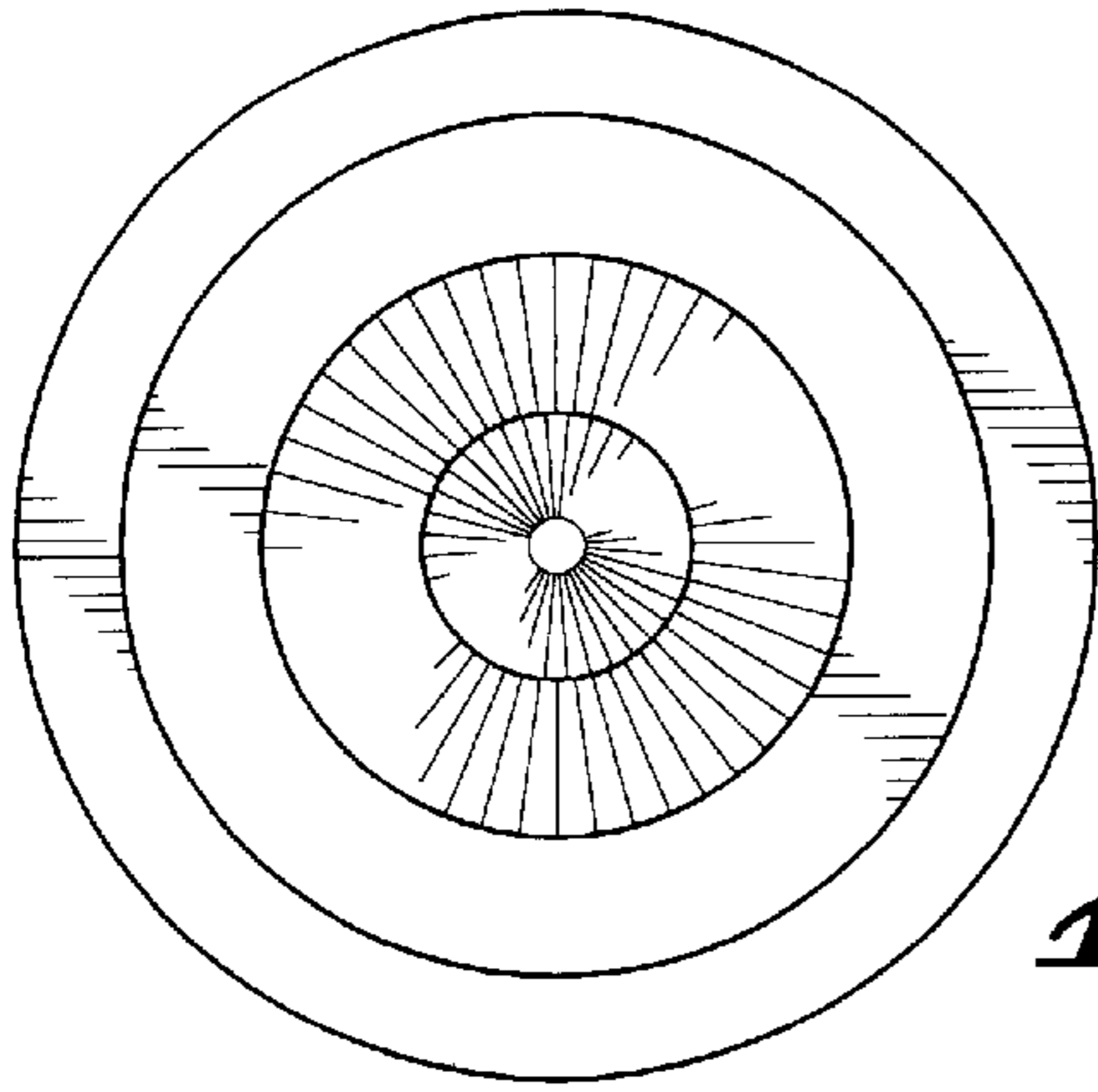


FIG. 2

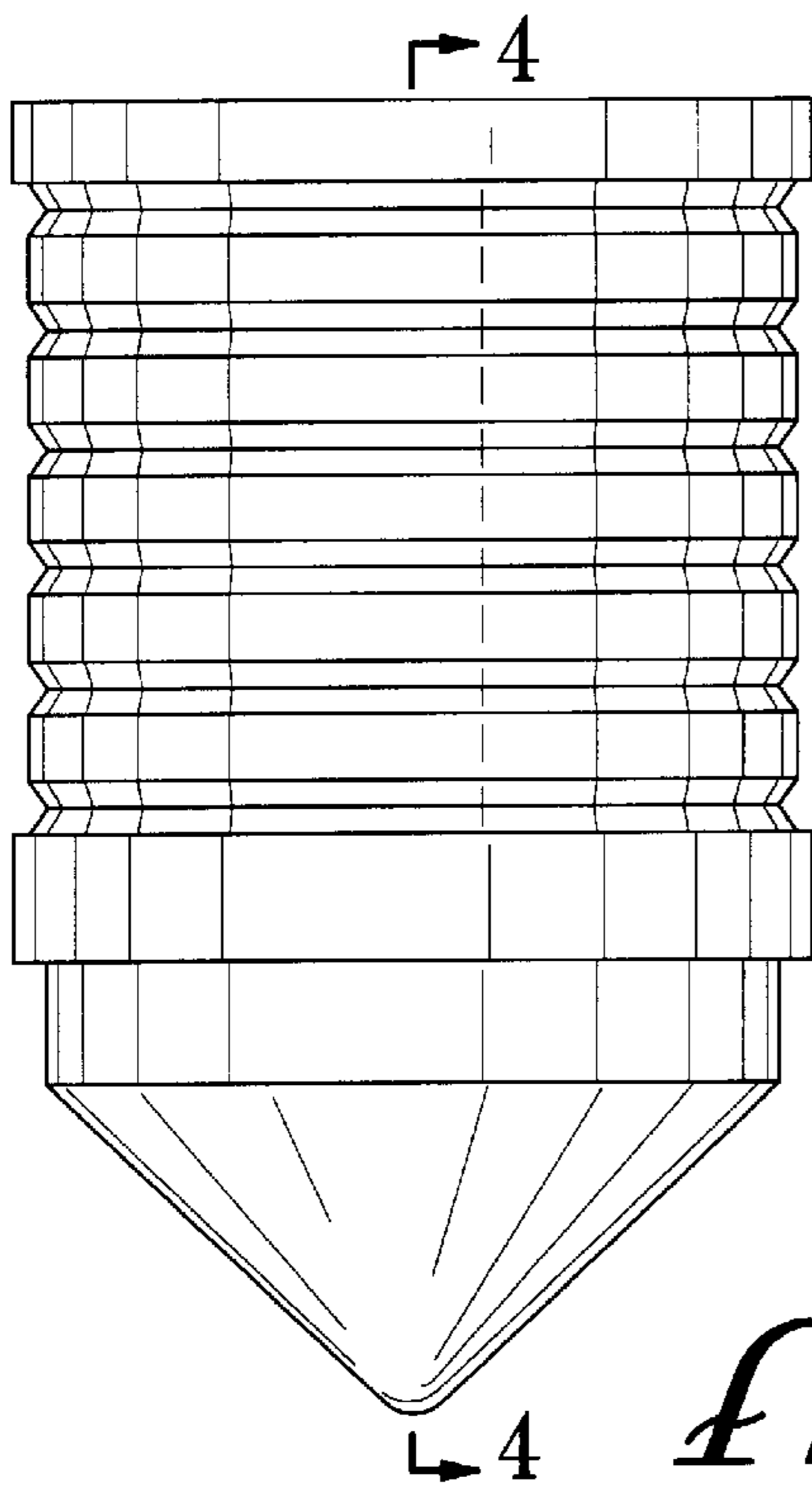


FIG. 1

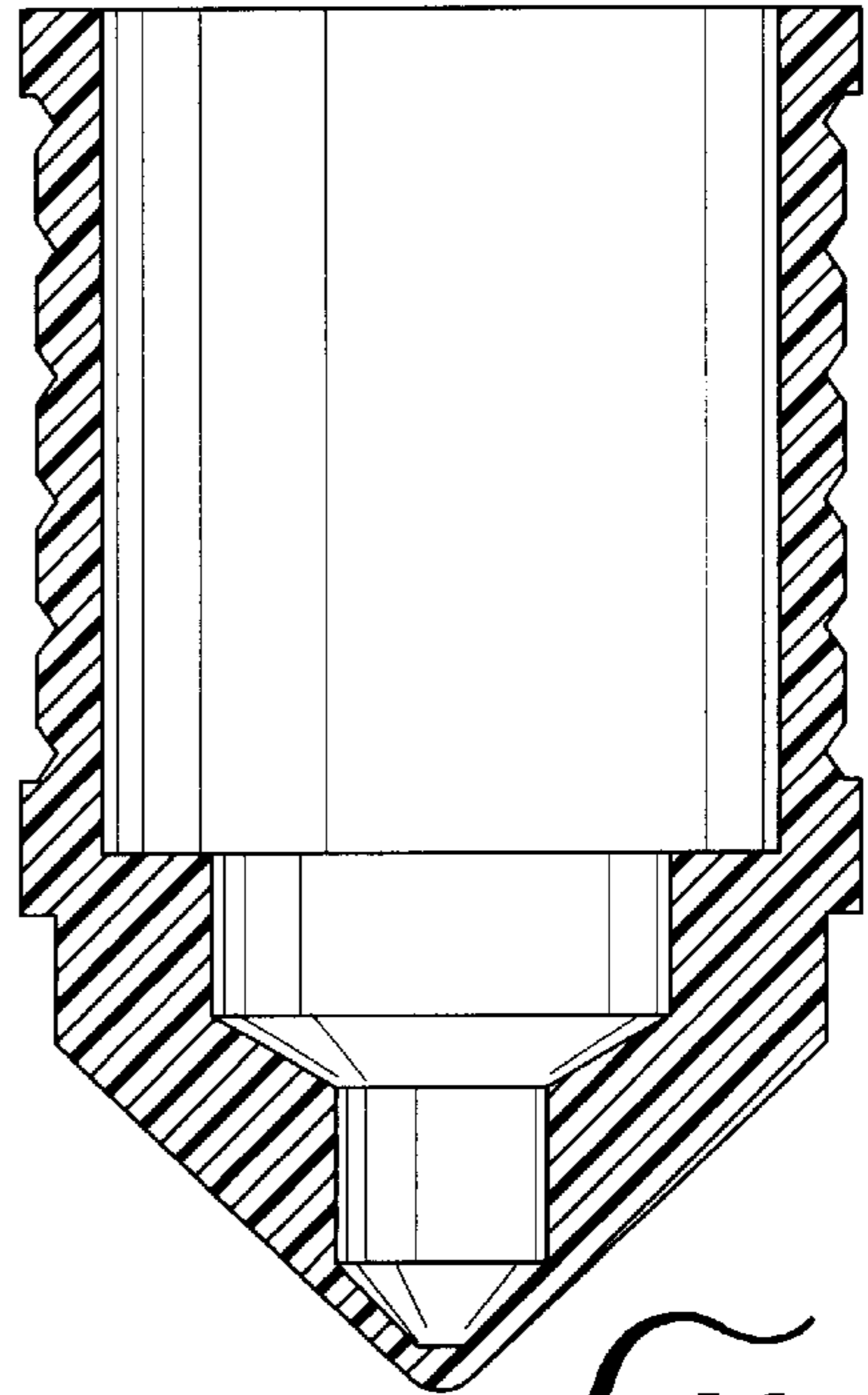


FIG. 4

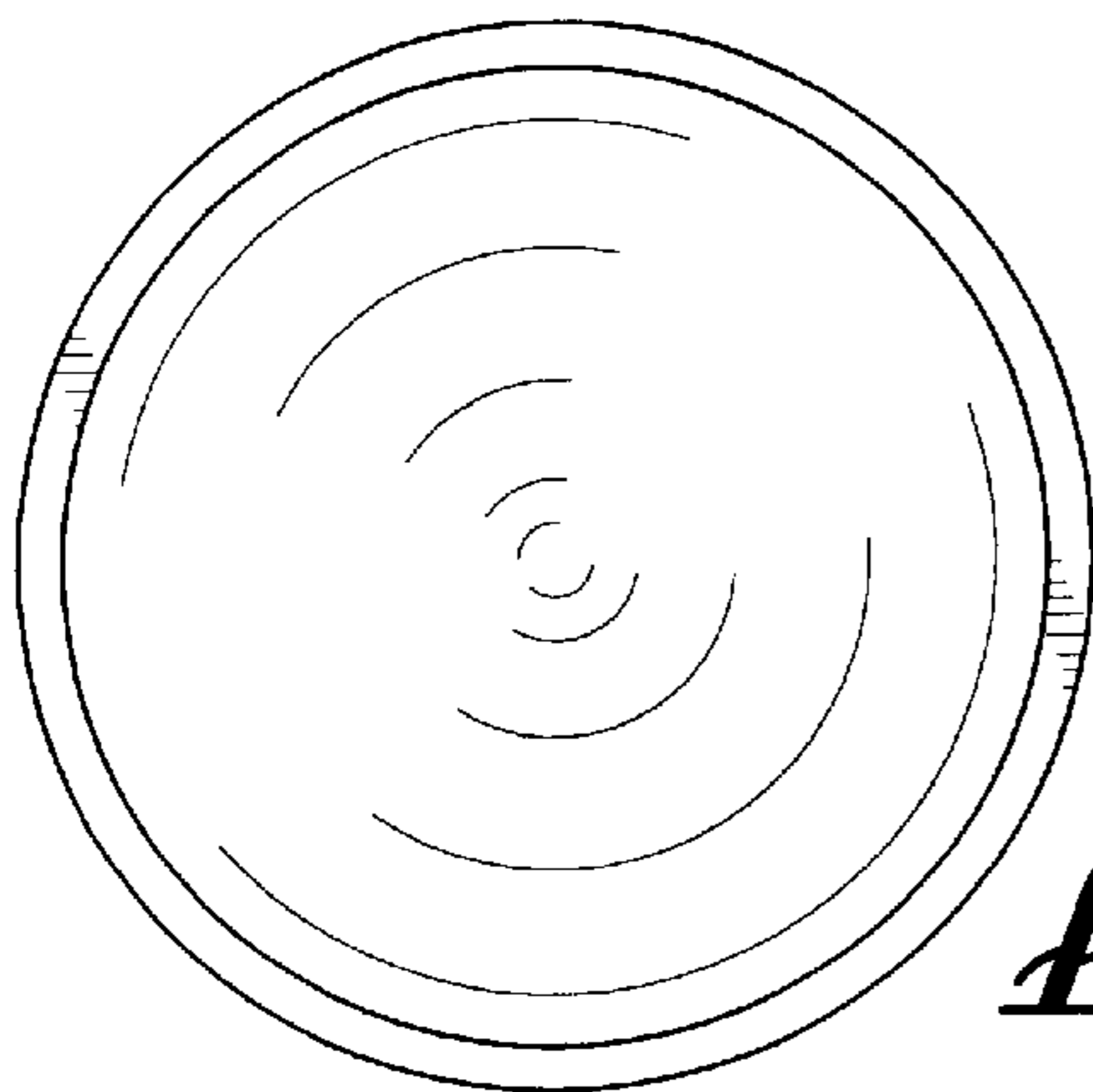


FIG. 3