



US00D428451S

# United States Patent [19] Wang

[11] **Patent Number: Des. 428,451**

[45] **Date of Patent: \*\* Jul. 18, 2000**

[54] **KITE**

4,830,313 5/1989 Cheng .

[76] Inventor: **Jay Wang**, 2026 Jacamar Ct.,  
Mississauga ON, Canada, L5R 3P5

*Primary Examiner*—Dominic Simone  
*Attorney, Agent, or Firm*—Bereskin & Parr

[\*\*] Term: **14 Years**

[57] **CLAIM**

The ornamental design for a kite, as shown and described.

[21] Appl. No.: **29/114,053**

### DESCRIPTION

[22] Filed: **Nov. 18, 1999**

[51] **LOC (7) Cl.** ..... **21-01**

[52] **U.S. Cl.** ..... **D21/453; D21/445**

[58] **Field of Search** ..... D21/445-447,  
D21/449, 453; 244/153 R, 154, 153 A

FIG. 1 is an isometric view from the front and to one side of the new design;

FIG. 2 is an isometric view from the rear and to one side of the new design;

FIG. 3 is a right side elevational view thereof, the other side being a mirror image thereof;

FIG. 4 is a front elevational view thereof;

FIG. 5 is a rear elevational view thereof; and,

FIG. 6 is a top plan view thereof.

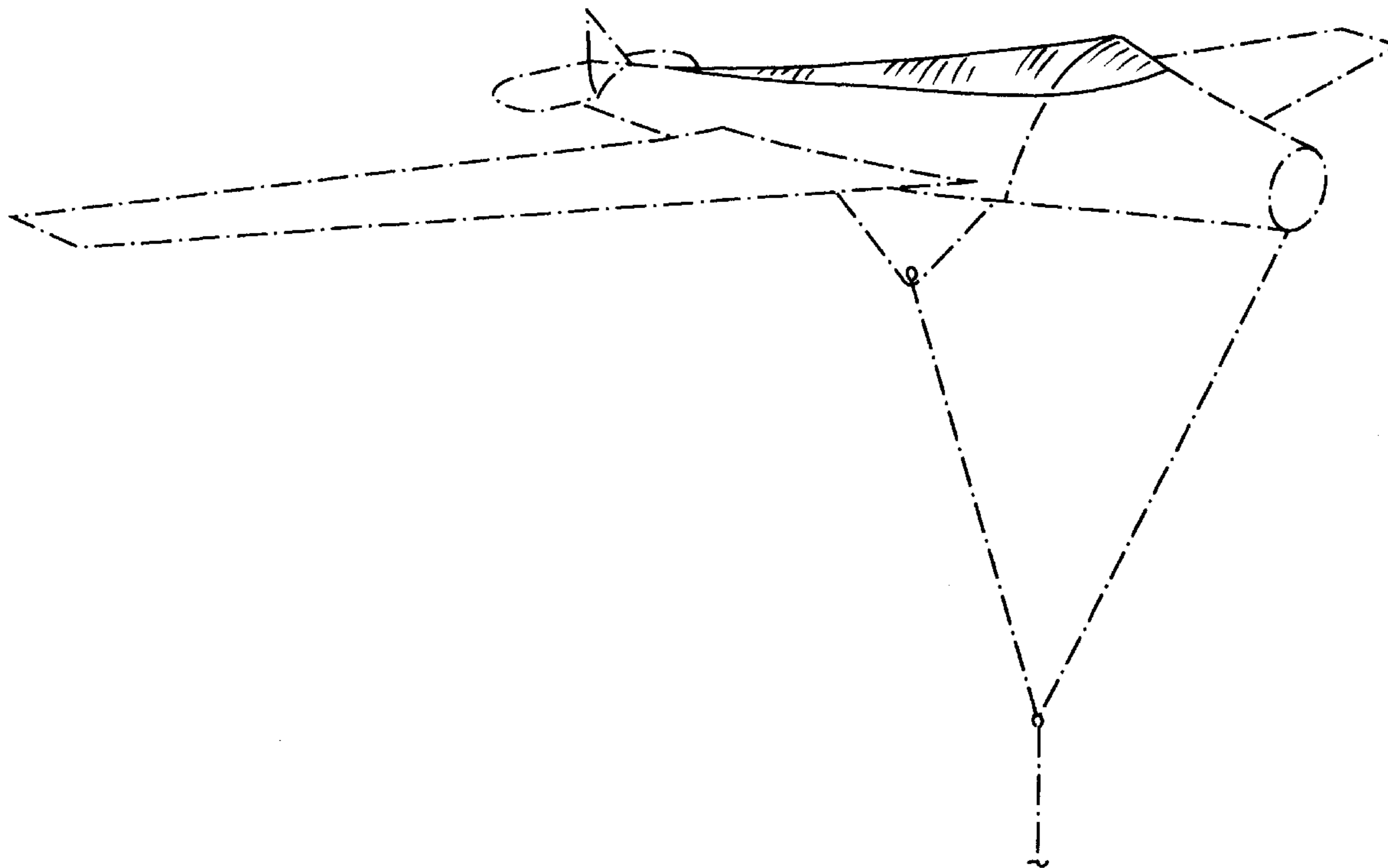
The portion of the kite shown in broken lines in all views is for illustrative purposes only and forms no part of the claimed design.

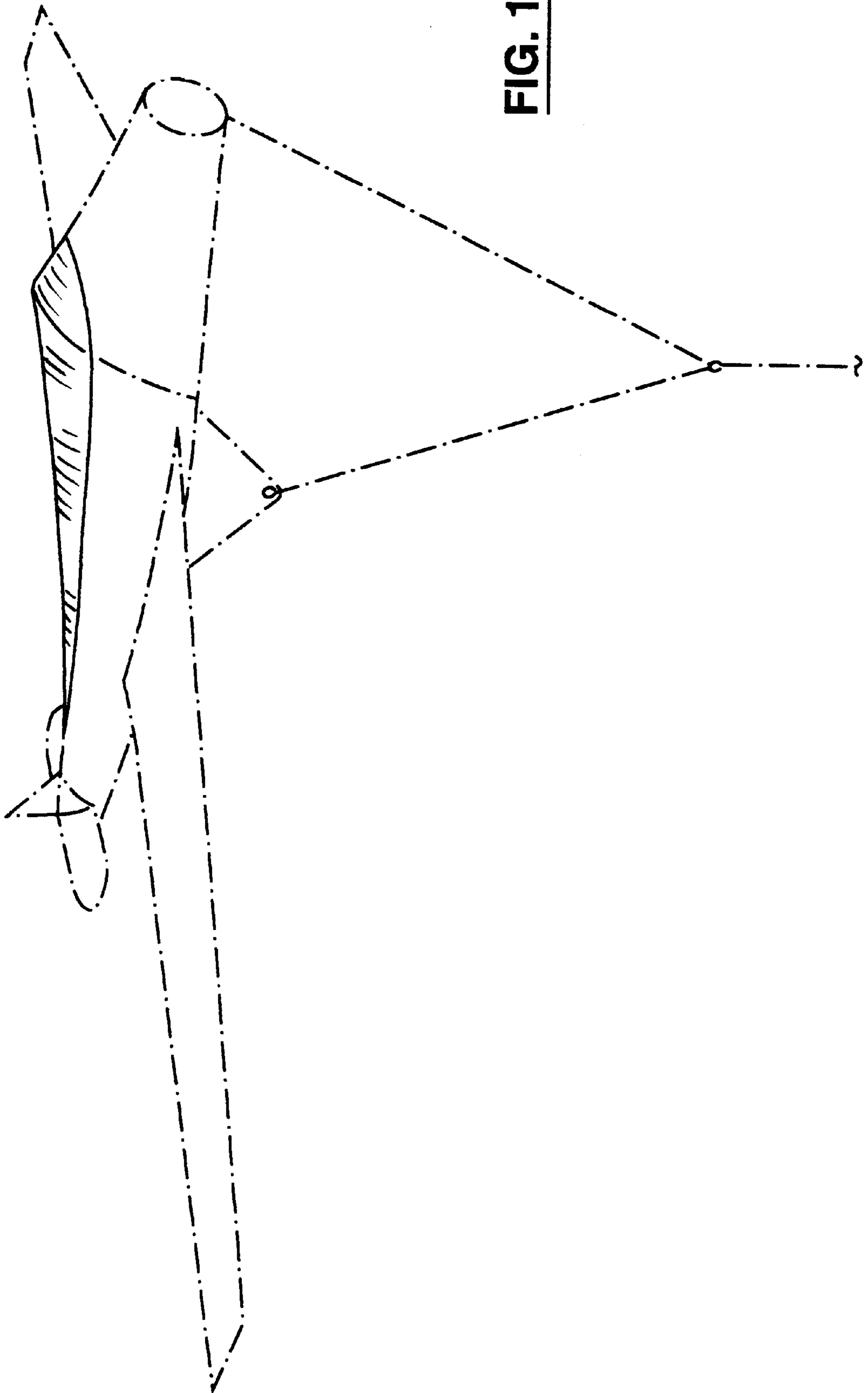
### [56] **References Cited**

#### U.S. PATENT DOCUMENTS

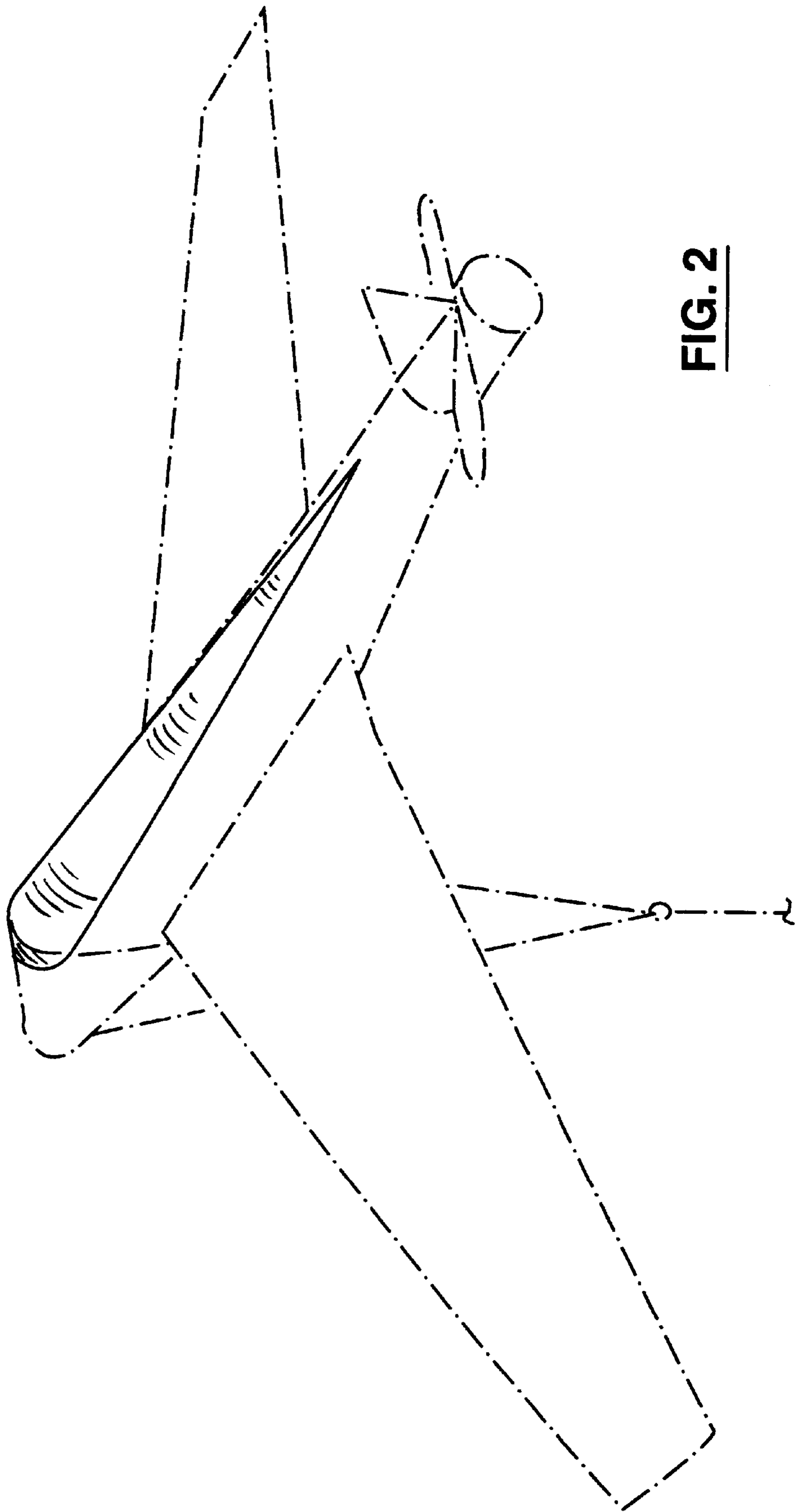
- D. 57,437 3/1921 Keller .
- D. 95,101 4/1935 Williams .
- D. 246,736 12/1977 Barrett et al. .
- D. 407,126 3/1999 Wang .
- 2,124,992 7/1938 Wood .
- 3,284,033 11/1966 Ventre ..... 244/154

**1 Claim, 6 Drawing Sheets**





**FIG. 1**



**FIG. 2**

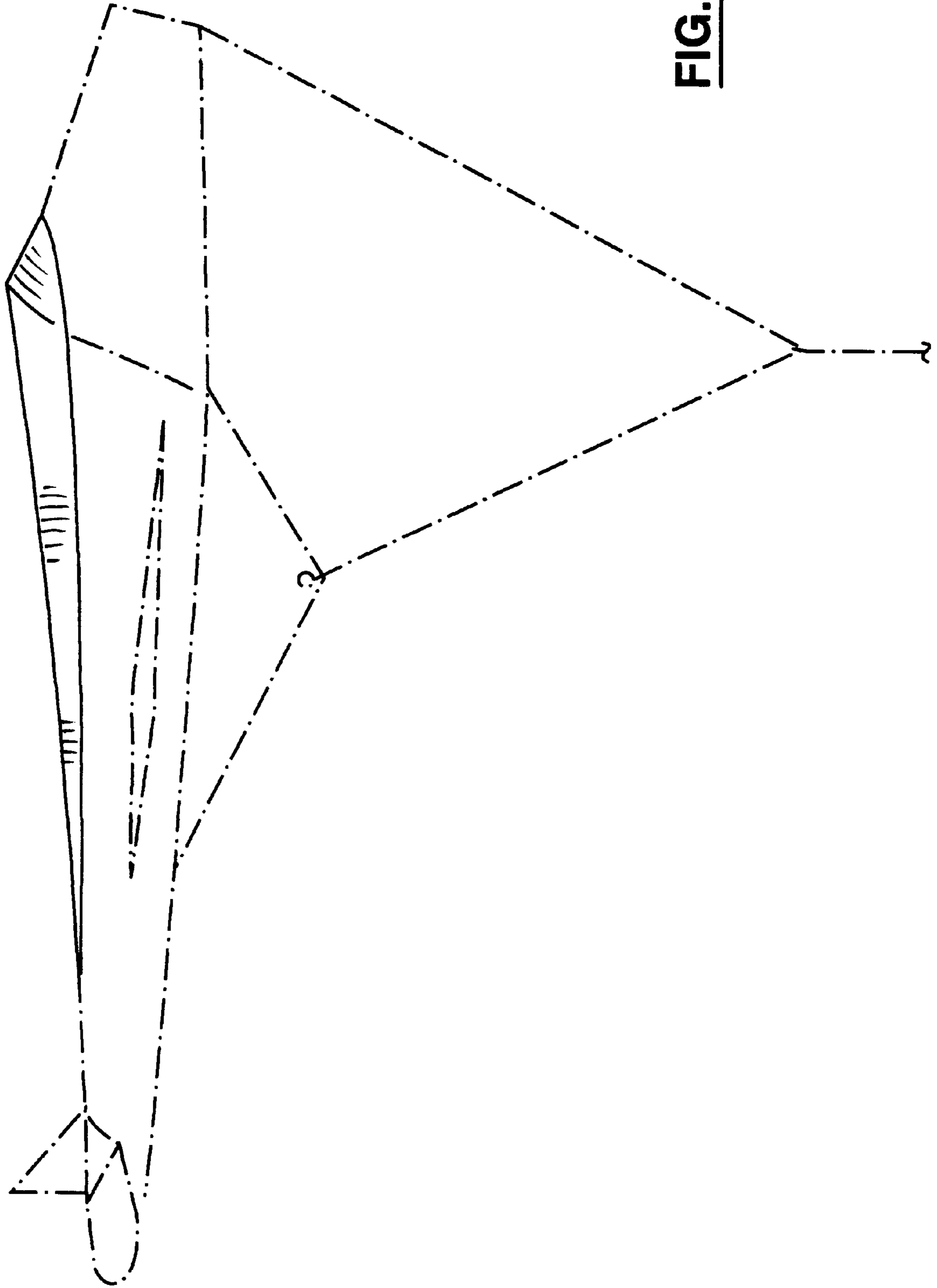


FIG. 3

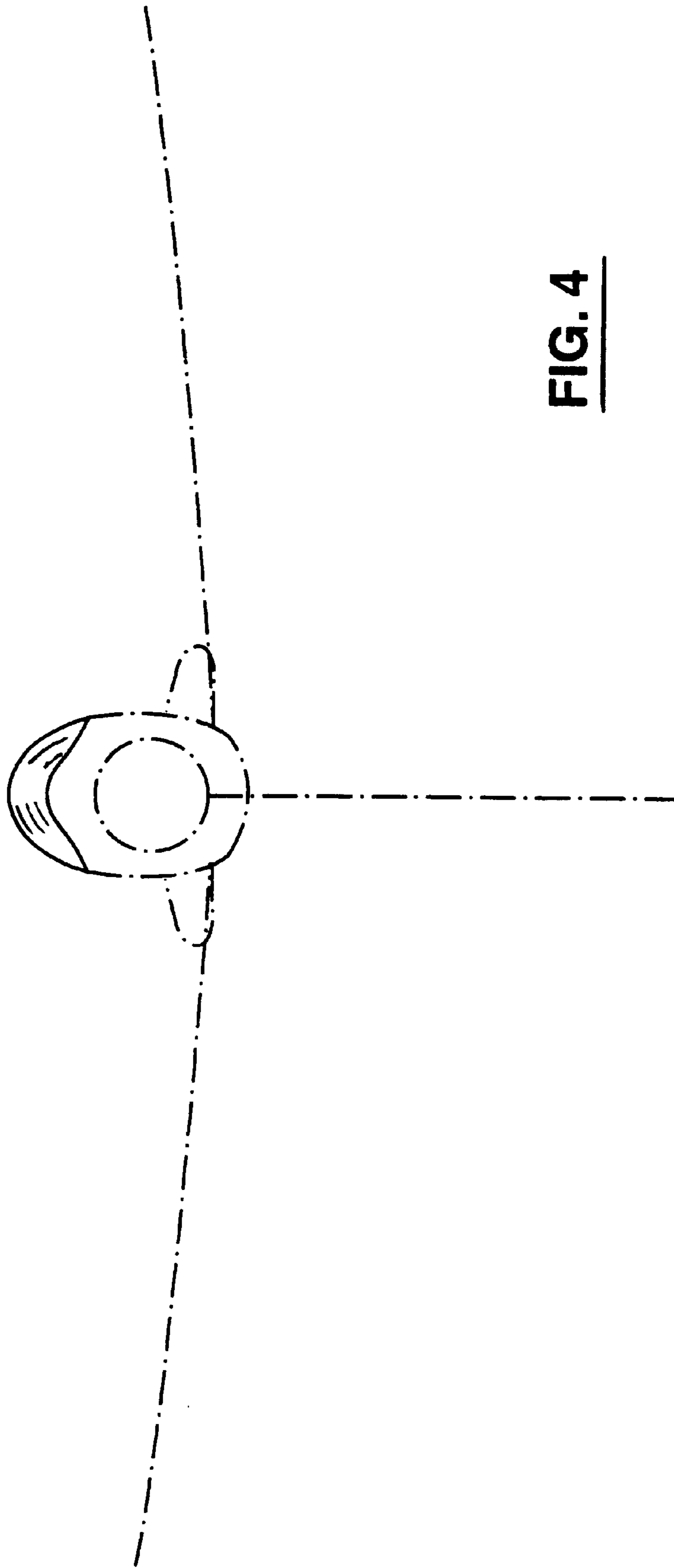


FIG. 4

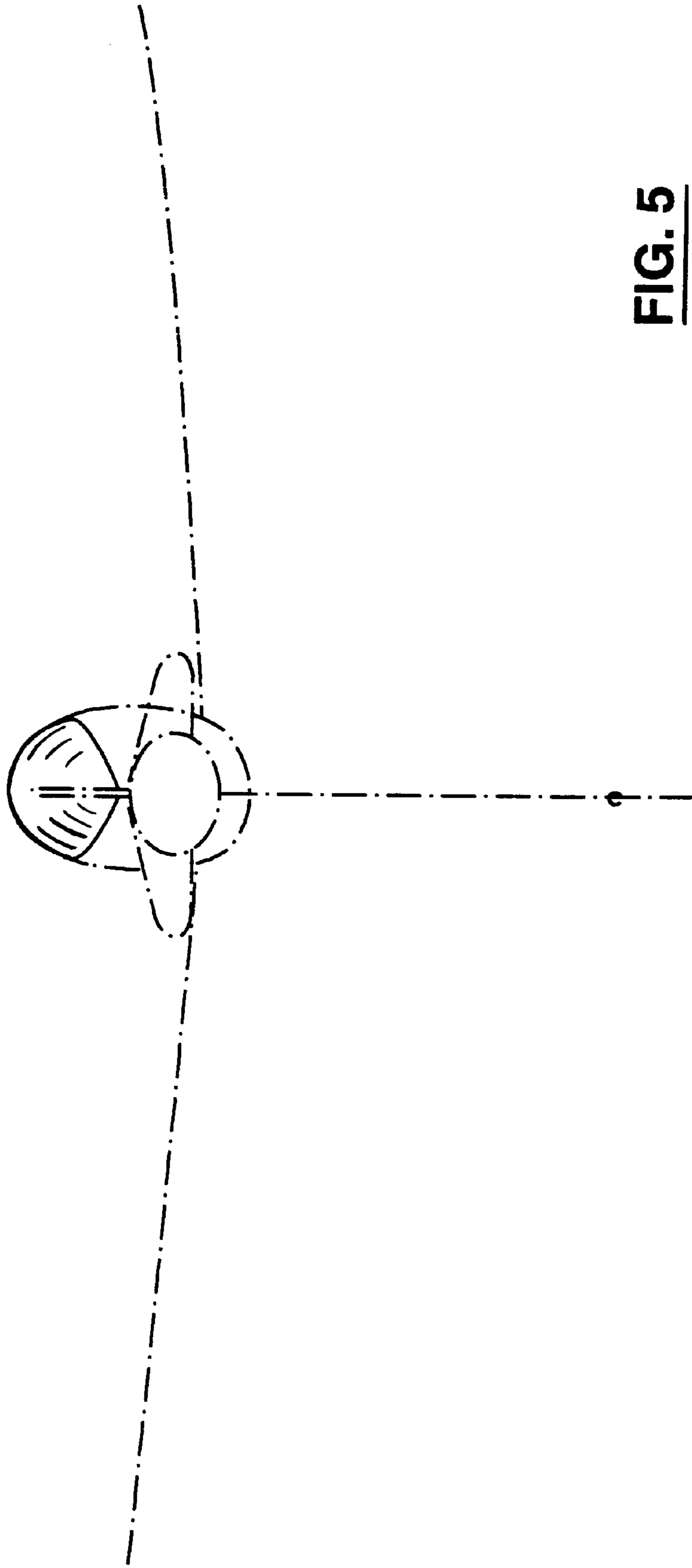
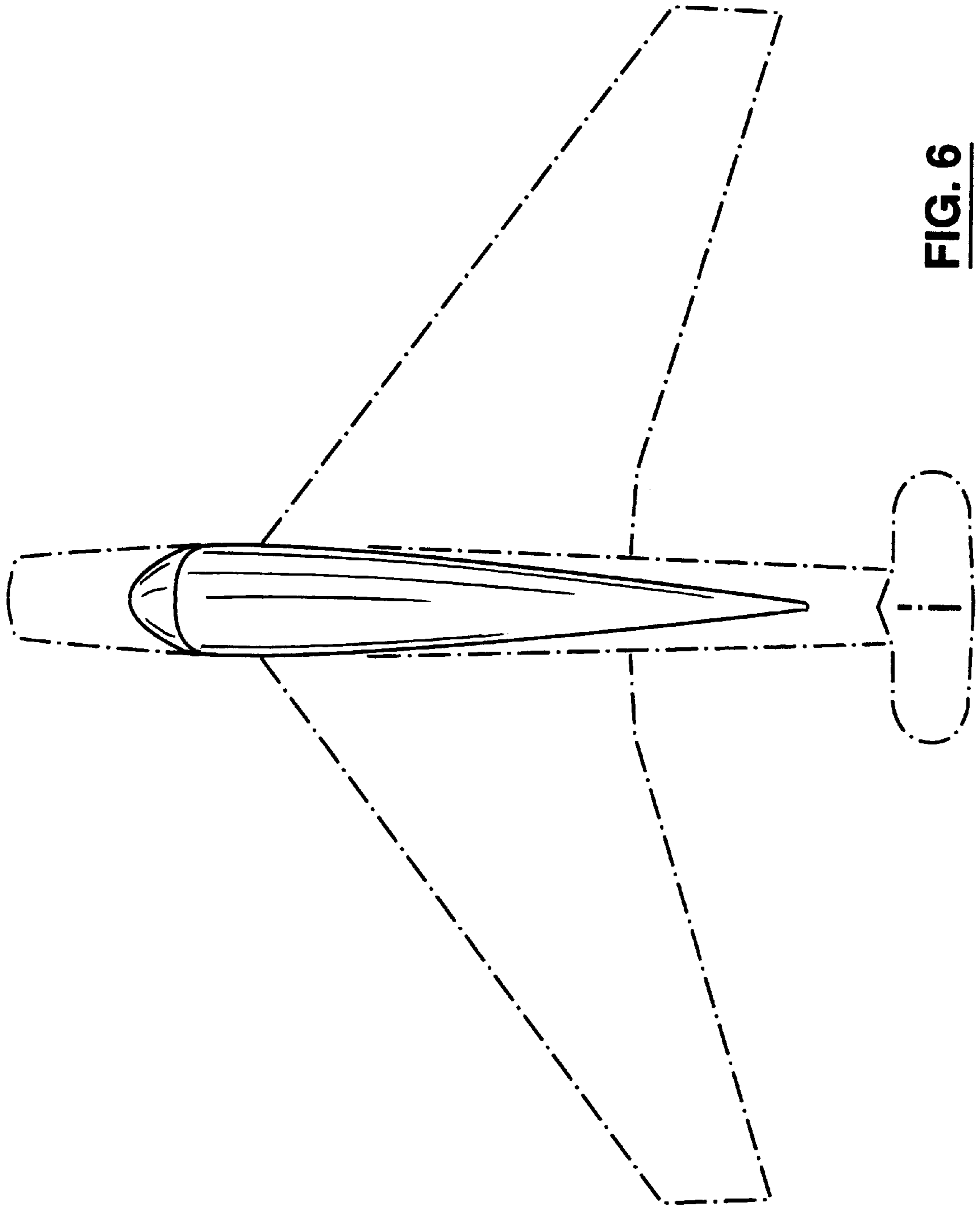


FIG. 5



**FIG. 6**