



US00D428444S

United States Patent [19]
McGarrah

[11] **Patent Number: Des. 428,444**
[45] **Date of Patent: ** Jul. 18, 2000**

[54] **ELECTRONIC COMMERCE TERMINAL ENCLOSURE FOR A VENDING MACHINE**

5,183,142 2/1993 Latchinian et al. 194/205

[75] Inventor: **Robert G. McGarrah**, Brookfield, Conn.

Primary Examiner—Nanda Bondade
Attorney, Agent, or Firm—Ratner & Prestia

[73] Assignee: **USA Technologies, Inc.**, Wayne, Pa.

[57] **CLAIM**

[**] Term: **14 Years**

The ornamental design for an electronic commerce terminal enclosure for a vending machine, as shown and described.

[21] Appl. No.: **29/112,981**

DESCRIPTION

[22] Filed: **Oct. 27, 1999**

FIG. 1 is a left side front perspective view of an electronic commerce terminal enclosure for a vending machine showing my new design;

[51] **LOC (7) Cl.** **20-01**

FIG. 2 is a right side rear perspective view thereof;

[52] **U.S. Cl.** **D20/8**

FIG. 3 is a front elevational view thereof;

[58] **Field of Search** D20/1-9; 194/350;
221/2.6, 75, 92, 96, 97, 129, 133, 155;
312/139.1, 234

FIG. 4 is a rear elevational view thereof;

FIG. 5 is a left side elevational view thereof;

FIG. 6 is a right side elevational view thereof;

FIG. 7 is a top plan view thereof; and,

FIG. 8 is a bottom plan view thereof.

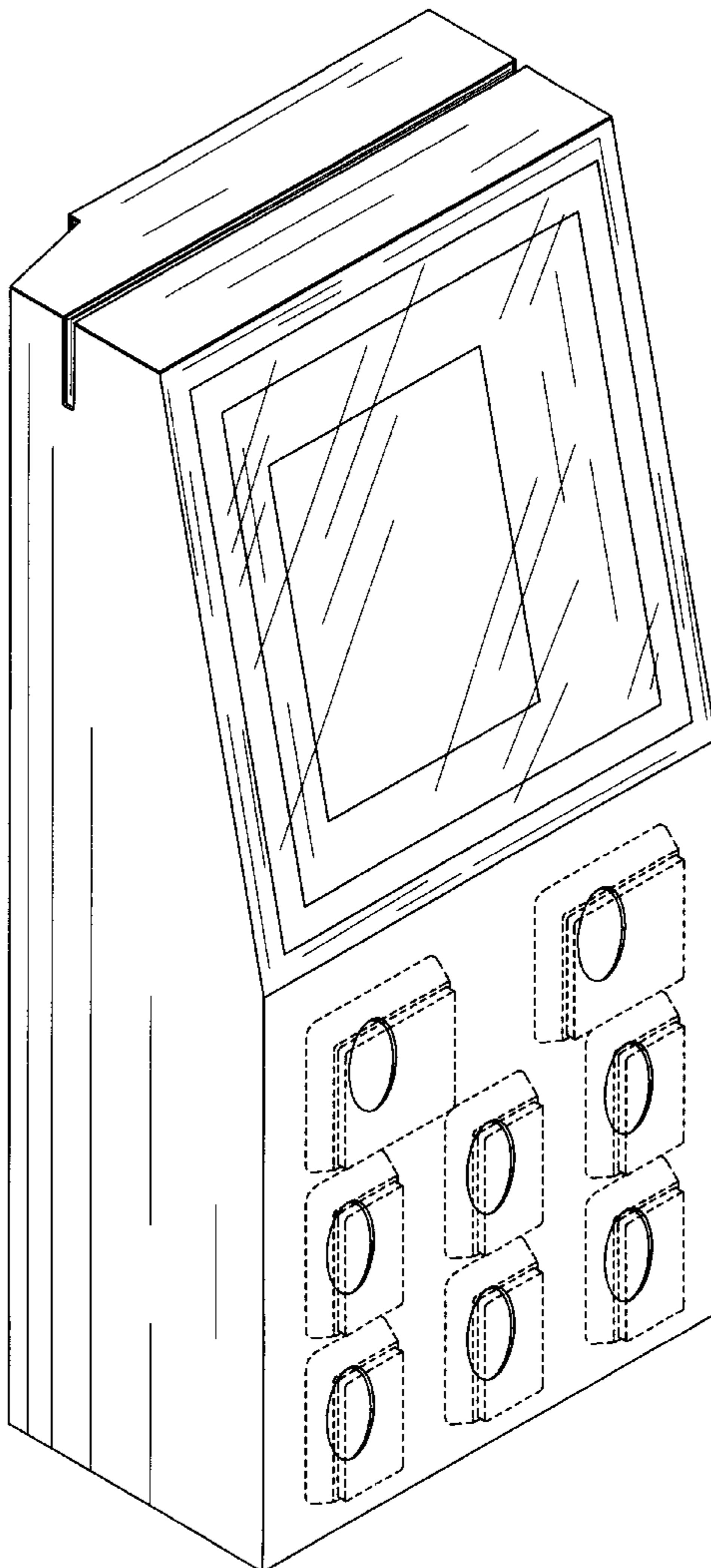
[56] **References Cited**

U.S. PATENT DOCUMENTS

- D. 219,992 2/1971 Belokin, Jr. D20/1 X
- D. 223,061 3/1972 Black D20/2
- D. 360,227 7/1995 Dahrowski D20/9
- 4,274,551 6/1981 Hicks 221/75

The broken line showing on FIGS. 1, 3 and 5-8 is for illustrative purposes only and forms no part of the claimed design.

1 Claim, 7 Drawing Sheets



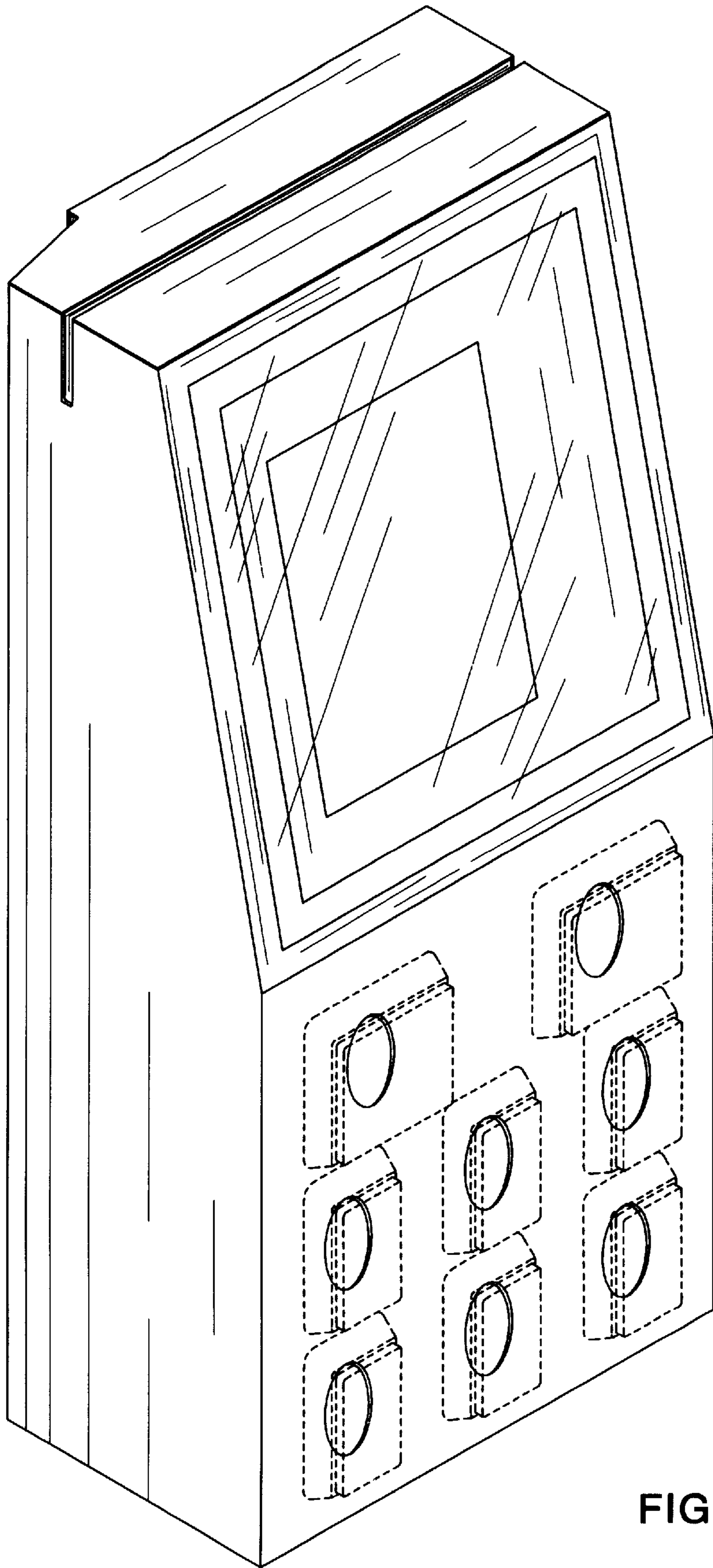


FIG. 1

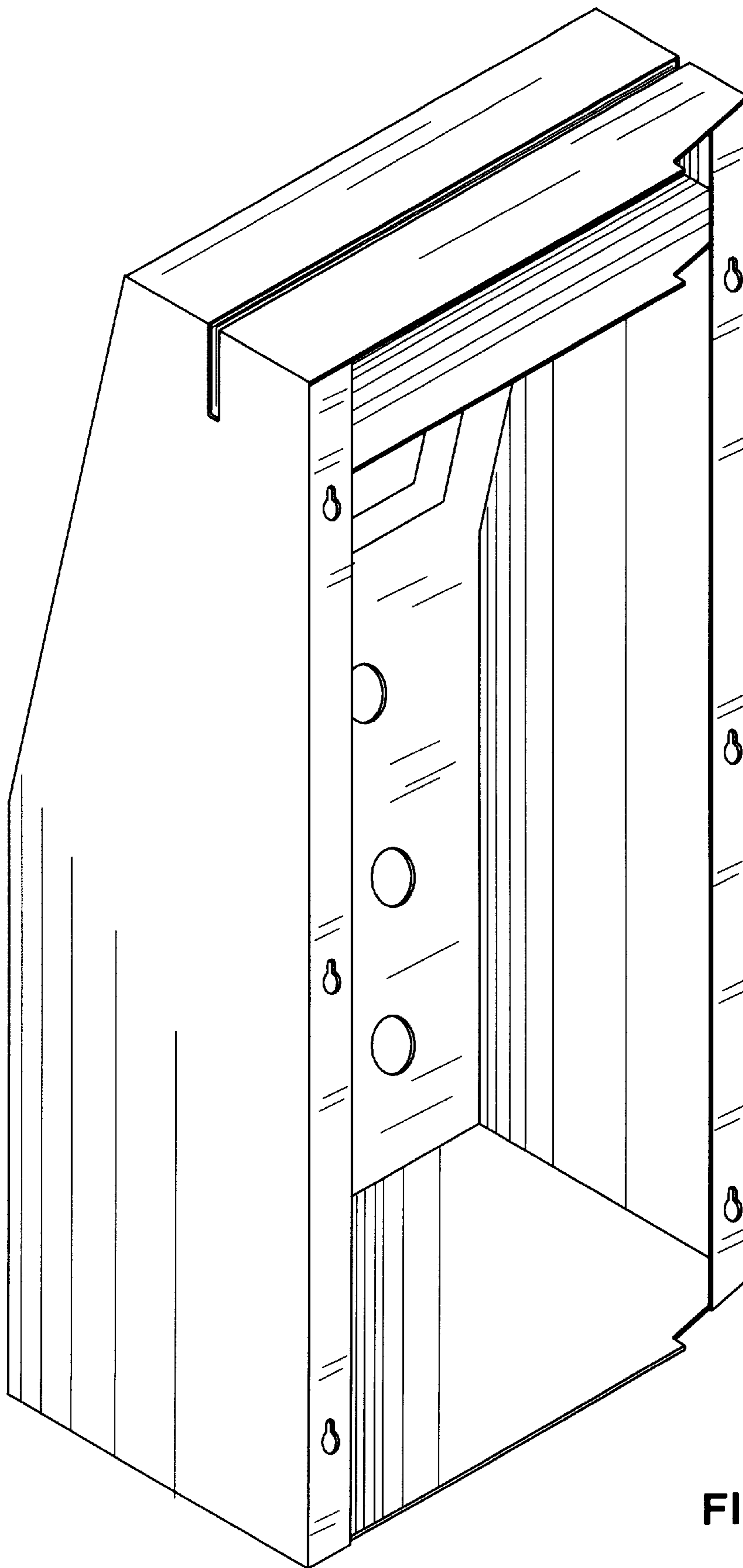


FIG. 2

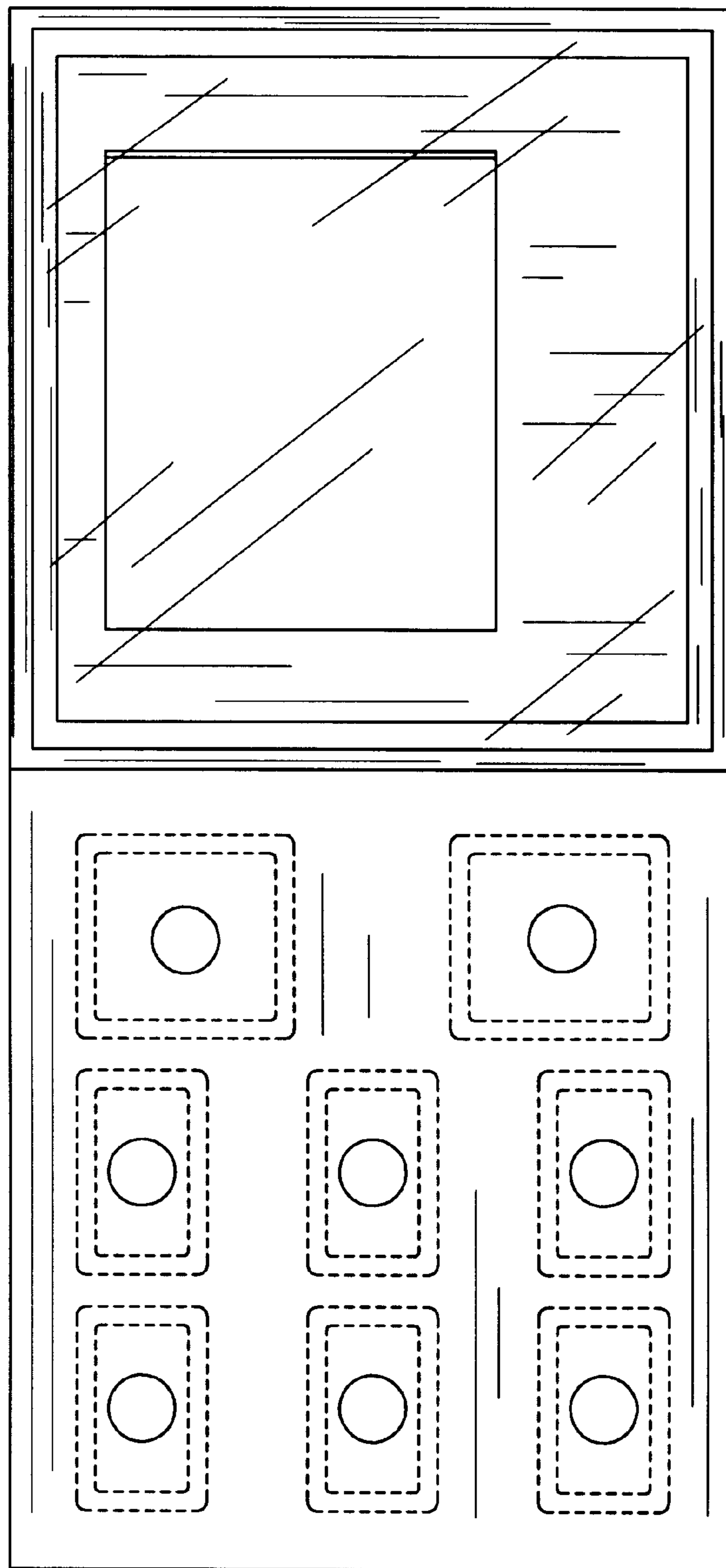


FIG. 3

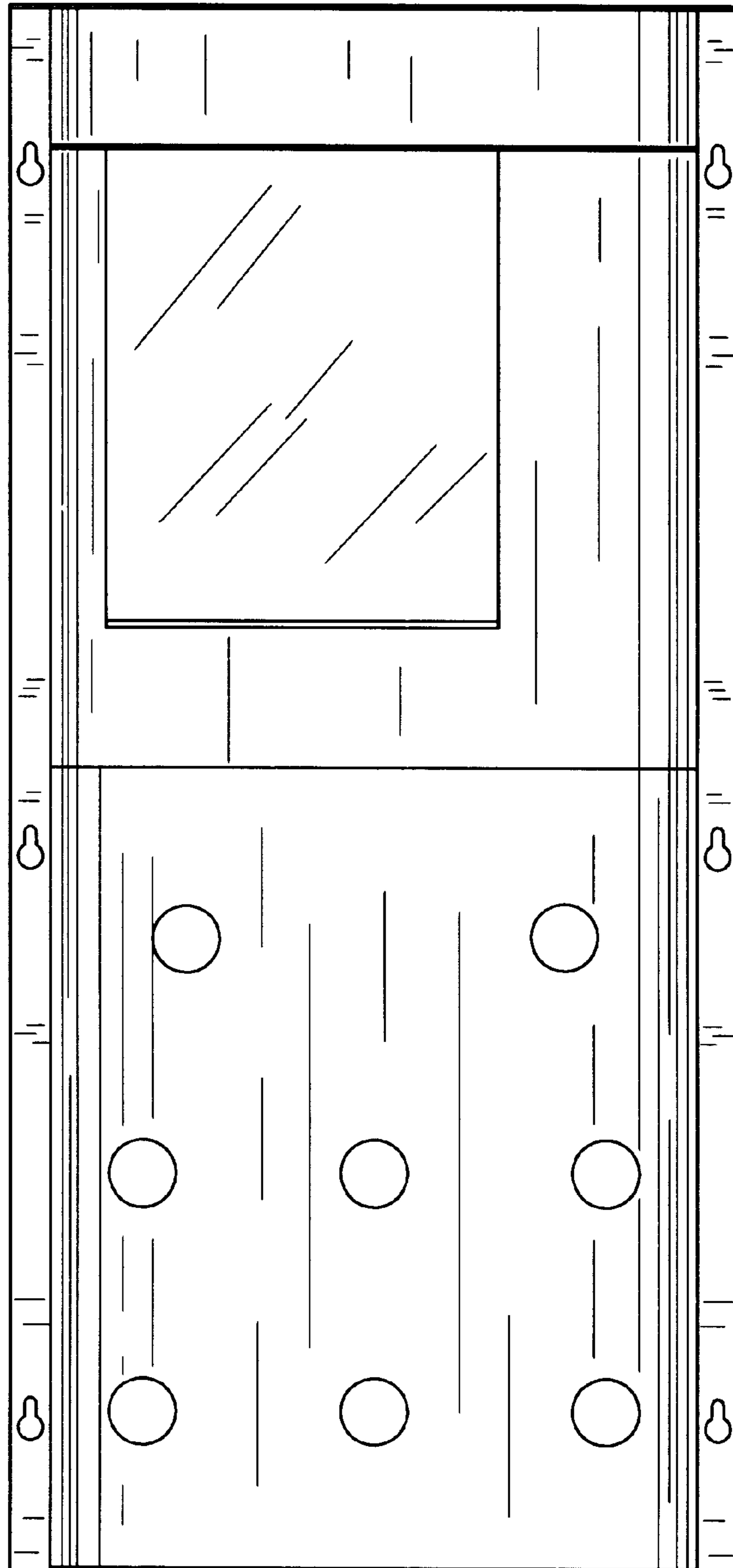


FIG. 4

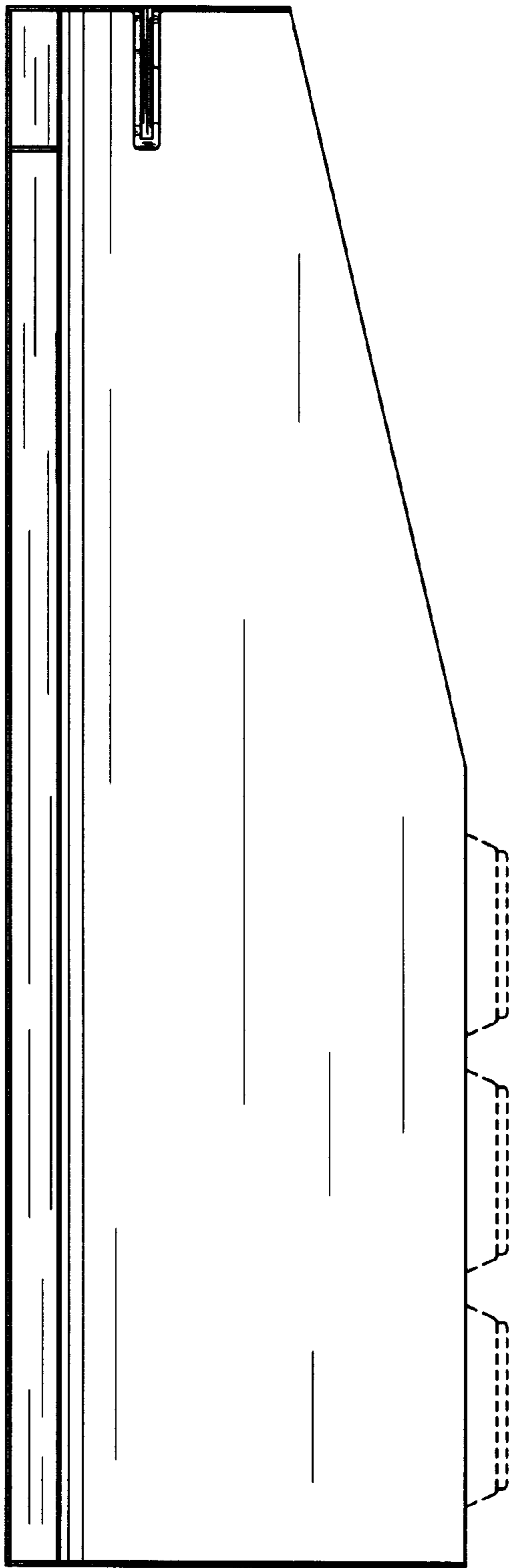


FIG. 5

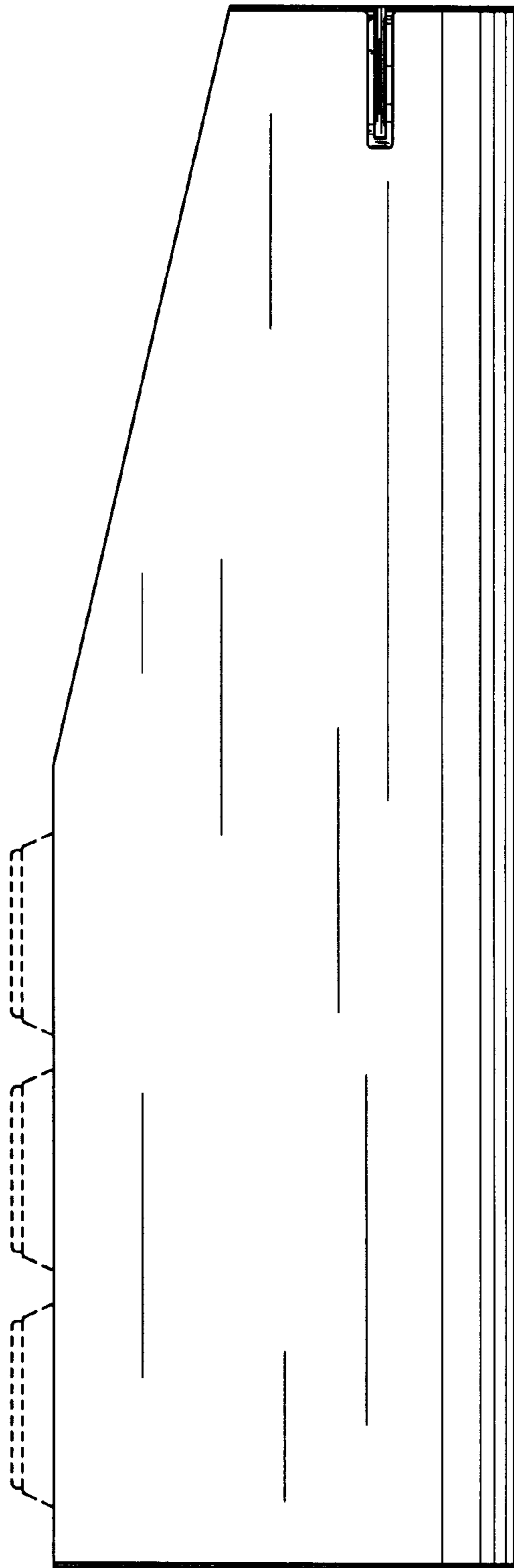


FIG. 6

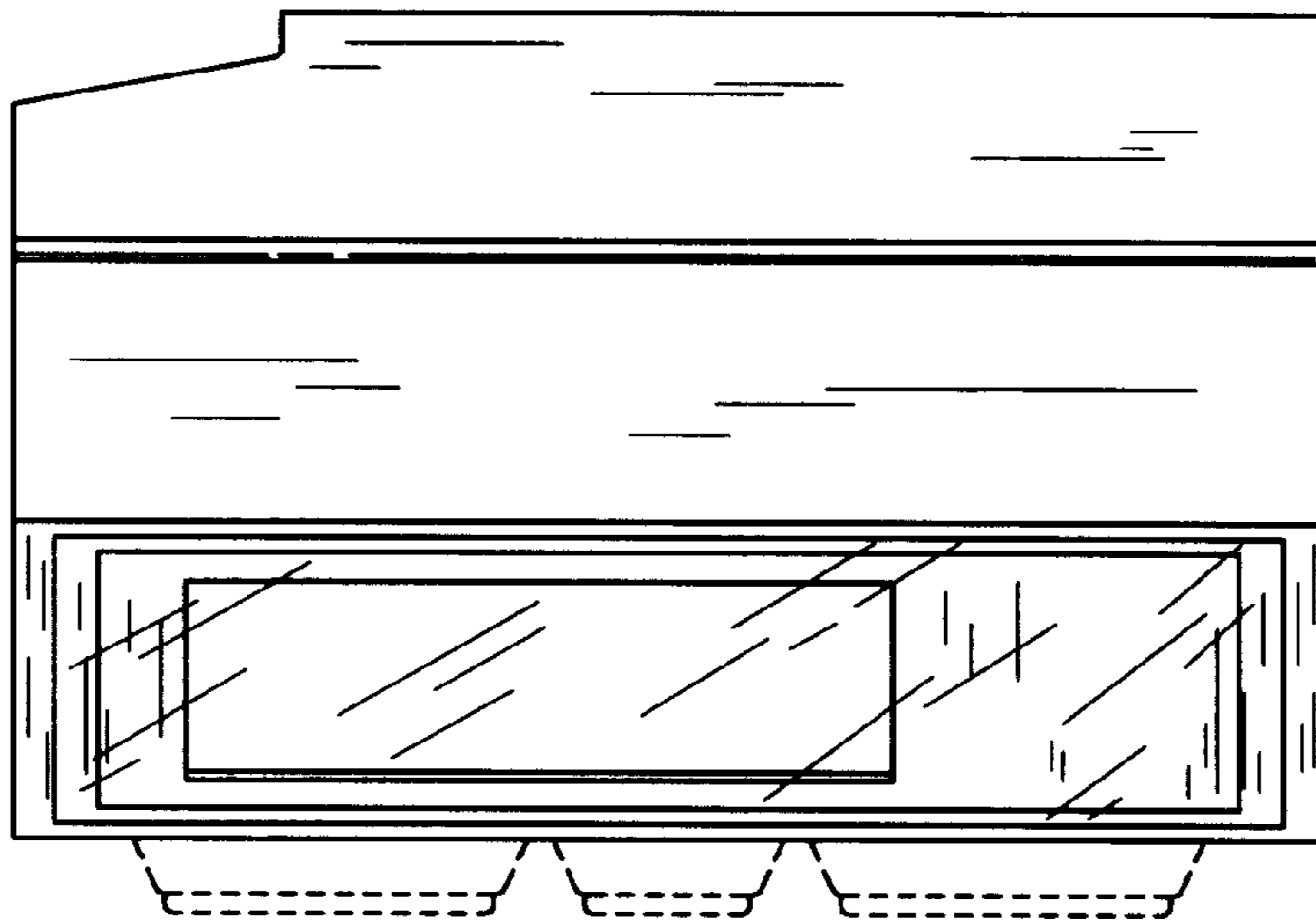


FIG. 7

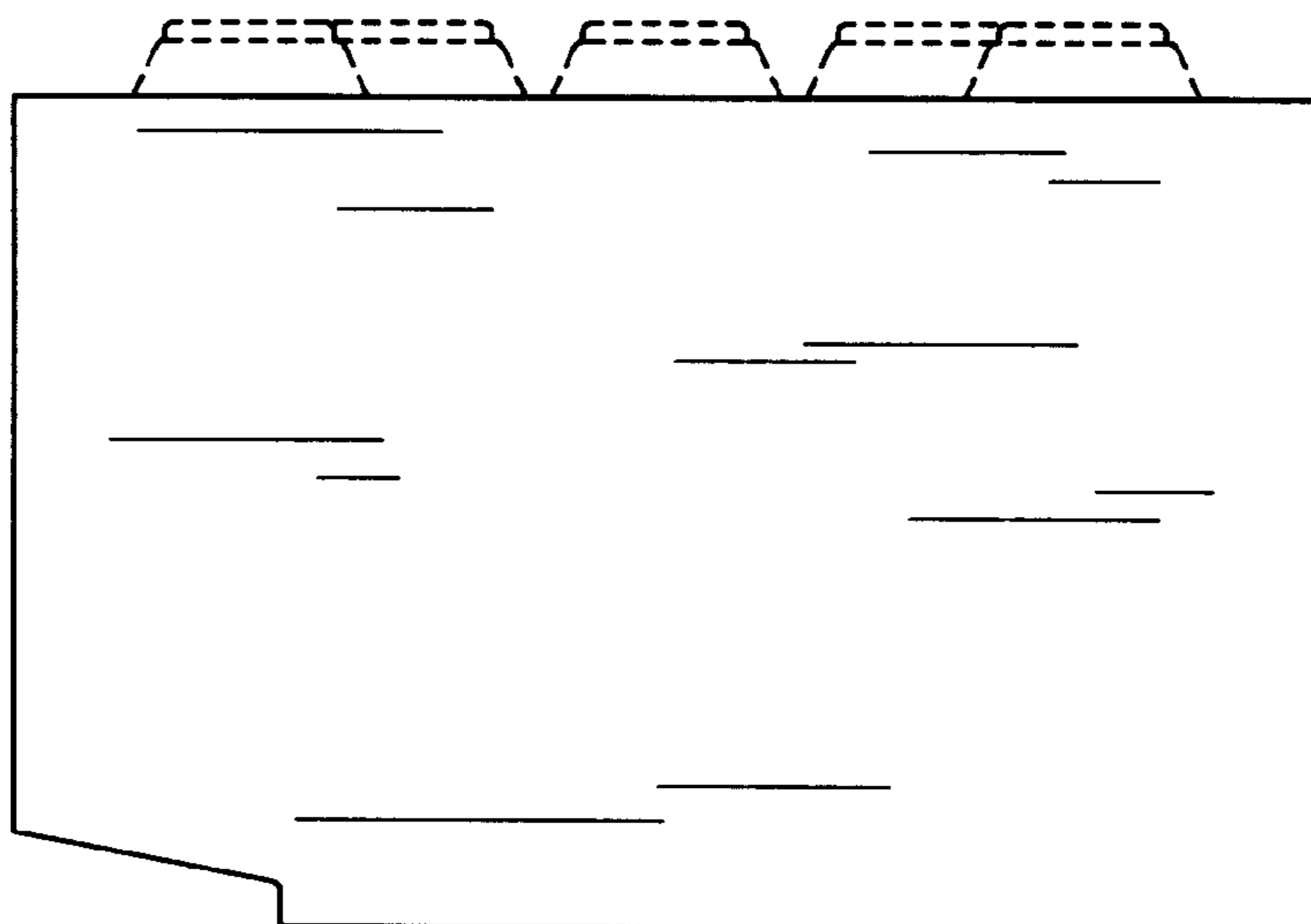


FIG. 8

UNITED STATES PATENT AND TRADE MARK OFFICE
CERTIFICATE OF CORRECTION

PATENT NO. : Des. 428,444
DATED : July 18, 2000
INVENTOR : Robert G. McGarrah

It is certified that error appears in the above-identified patent and that said Letters Patent is hereby corrected as shown below:

Cover page, item [56] References Cited, U.S. PATENT DOCUMENTS, "D223,061 3/1792 Black" should read --D223,061 10/1974 Black--.

Signed and Sealed this
Seventeenth Day of April, 2001

Attest:



NICHOLAS P. GODICI

Attesting Officer

Acting Director of the United States Patent and Trademark Office